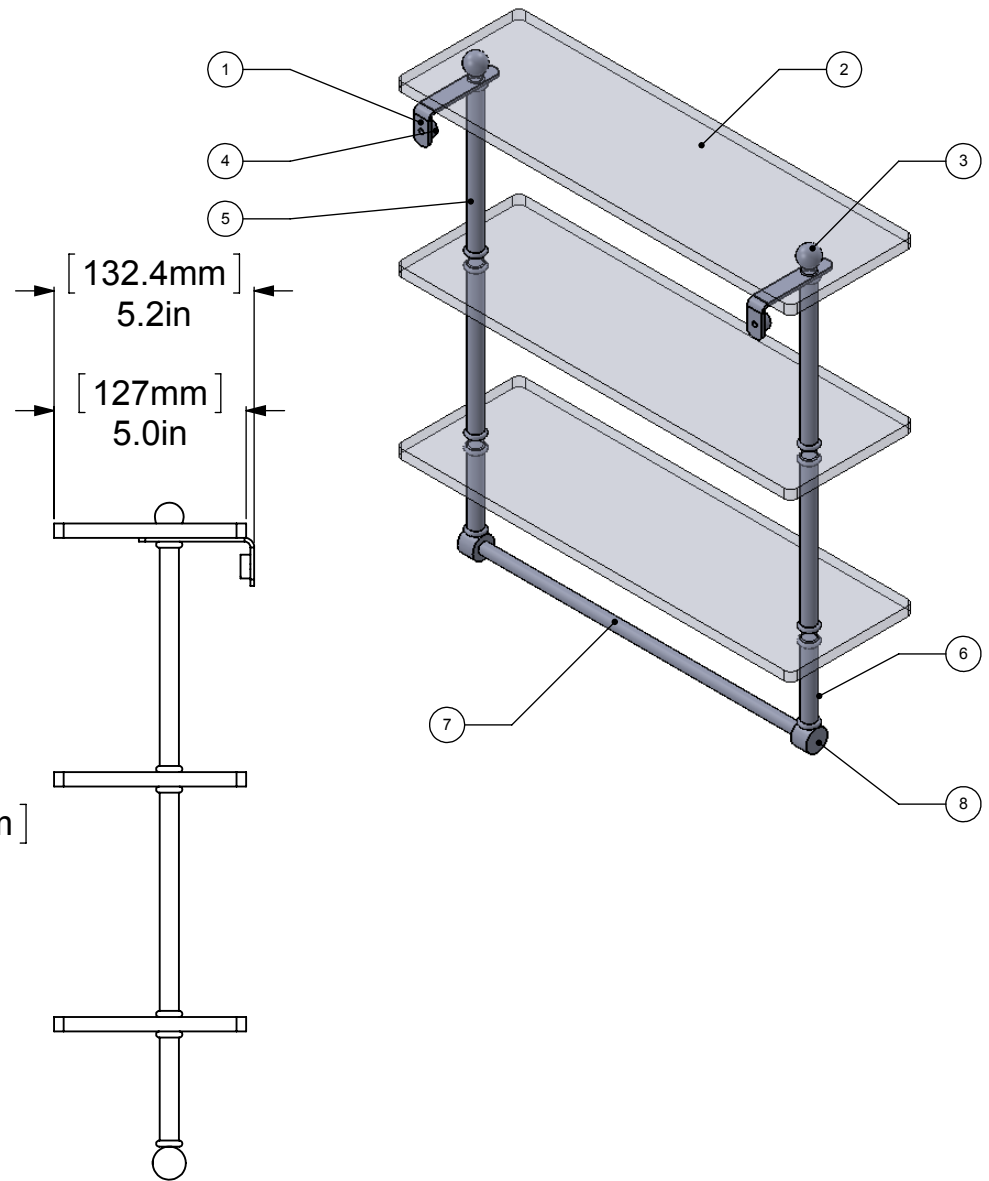
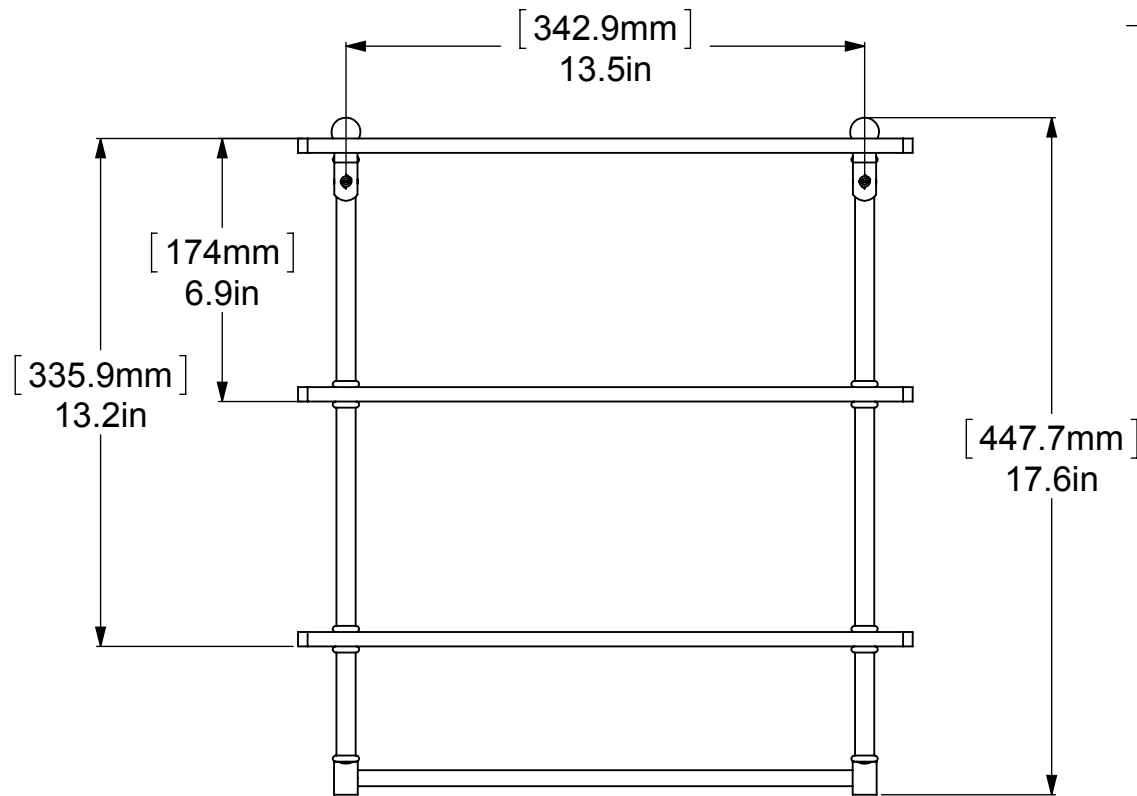


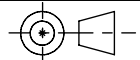
ITEM NO.	P/N	Description	QTY.
1	BKSH-2AD	BRACKET	2
2	GLRT-16	GLASS	3
3	BL1T-34	END BALL	2
4	CARD-58	END CAP	2
5	TU12-6	TUBE SUPPORT	4
6	TU12-3	BOTTOM TUBE	2
7	TU38-13.5	TUBE	1
8	HBBTT-78	HUB	2



UNLESS OTHERWISE STATED

.X	±.3mm
.XX	±.15mm
.XXX	±.008mm

COPYRIGHT © Allied Brass 2016



THIRD ANGLE PROJECTION

DRAWN	6/22/2016	I.M
CHECKED	6/22/2016	P.D
APPROVED	6/22/2016	R.A

MATERIAL:	BRASS		FINISH	TBD
DESCRIPTION:	<p>SHELF WITH TOWEL BAR</p> 		QUANTITY	TBD
			DRAWING No.	REV
			PR-5-16TB	0
SCALE	1:5	SHEET: 01	A4	