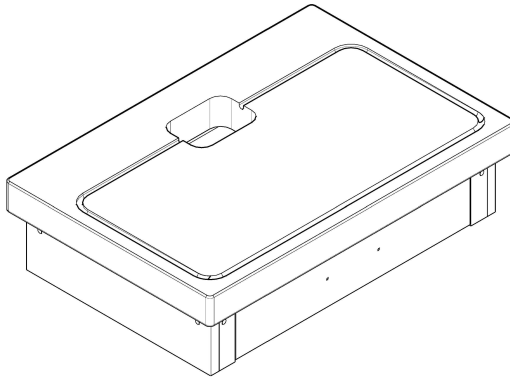


**CHEF KITCHEN WORK STATION # 201**  
**JET 3190 - JET 3191**  
**ASSEMBLY INSTRUCTION**



**A. TOP AND DRAWER ASSEMBLY**



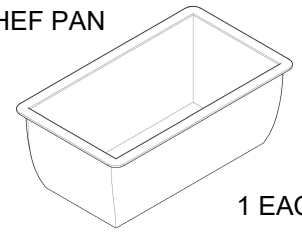
1 EACH

**C. LEGS**



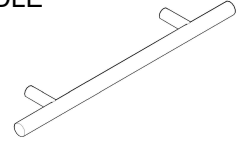
4 EACH

**P. CHEF PAN**



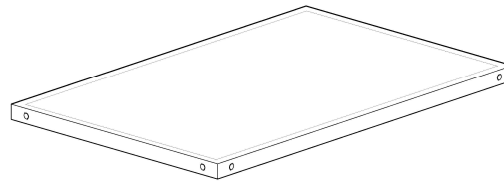
1 EACH

**H. HANDLE**



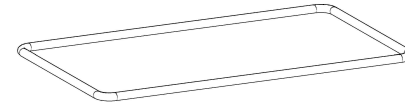
1 EACH

**B. SHELF**



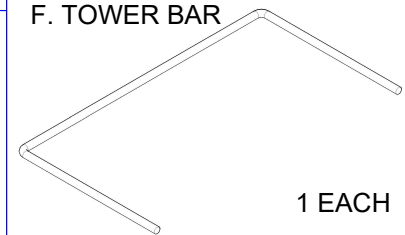
2 EACH

**L. TRASH RING**



1 EACH

**F. TOWER BAR**



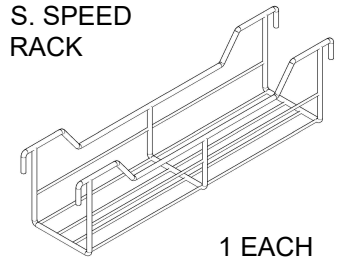
1 EACH

**K. "S" HOOK**



4 EACH

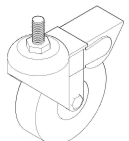
**S. SPEED RACK**



1 EACH

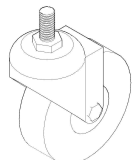
**HARDWARE LIST**

**BW. BRAKE**



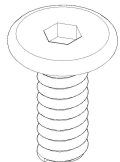
2 EACH

**W. WHEEL**



2 EACH

**JA. SCREW**



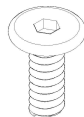
24 EACH

**XA. NUT**



16 EACH

**JB. SCREW**



2 EACH

**NP. NATURAL WOOD PLUG**



2 EACH

**Q. BIG WRENCH**



1 EACH

**QS. SMALL WRENCH**



1 EACH

**RB. BIG ALLEN WRENCH**



1 EACH

**RM. SMALL ALLEN WRENCH**



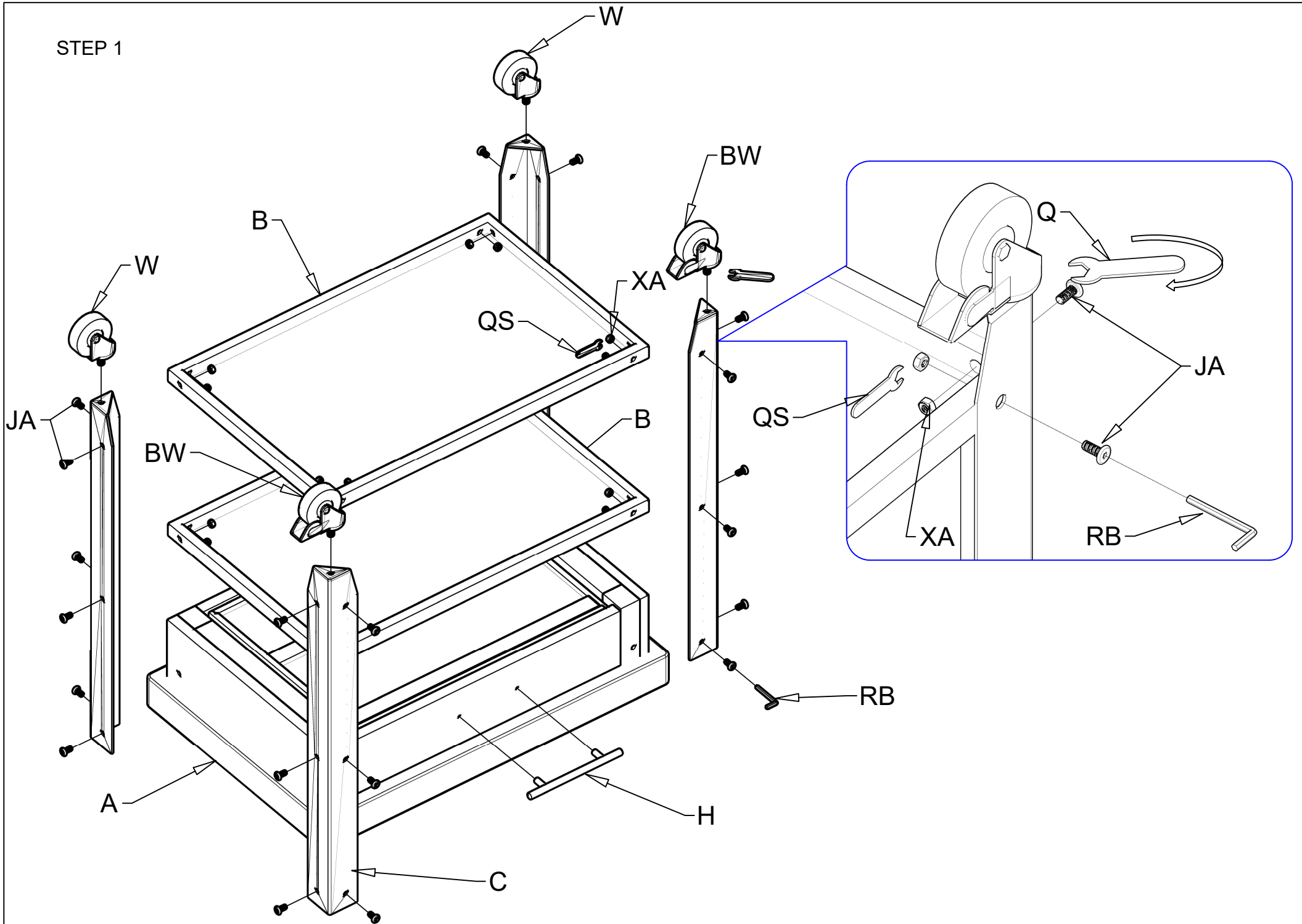
1 EACH

**O. OIL**



1 EACH

STEP 1



STEP 2

