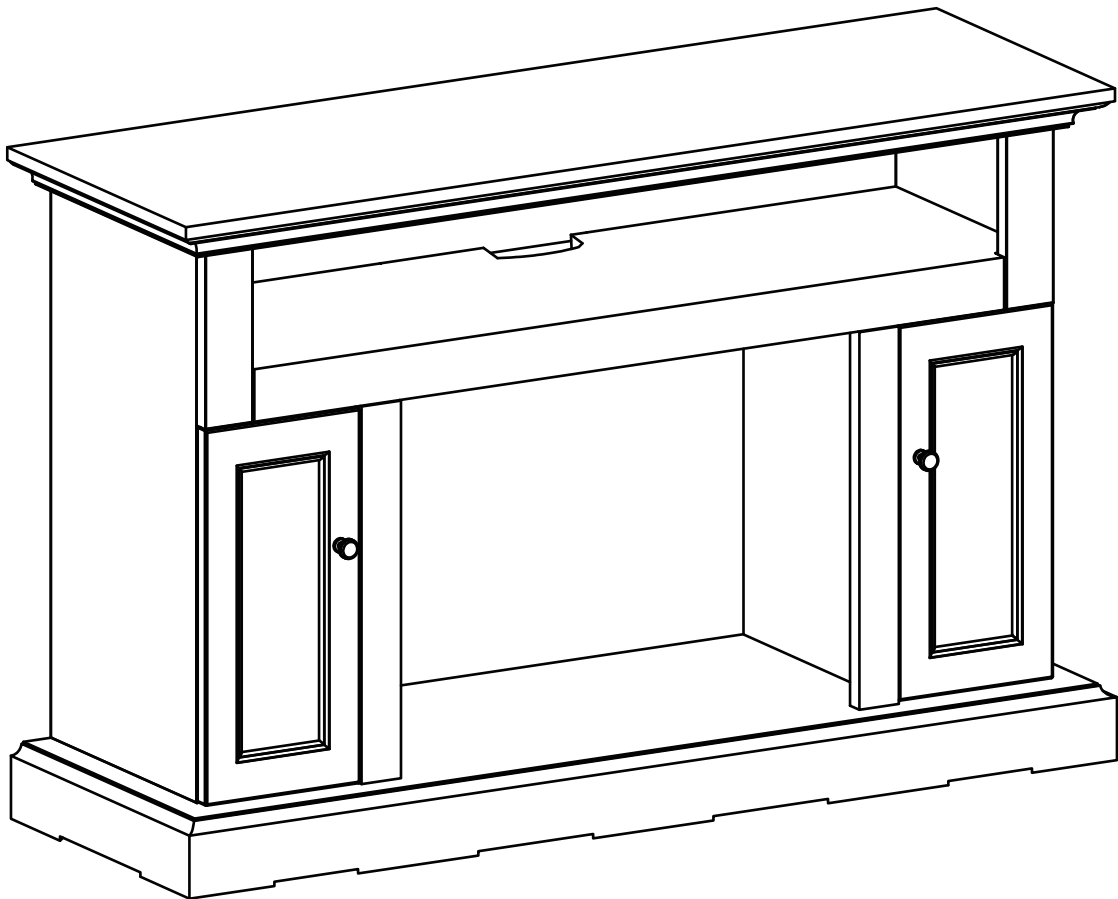


MANTEL

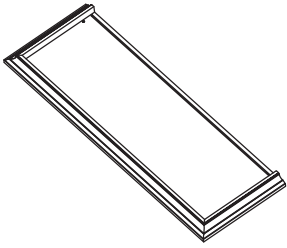
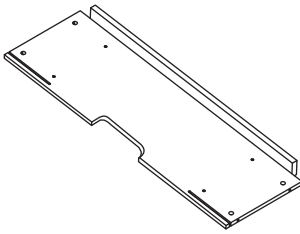
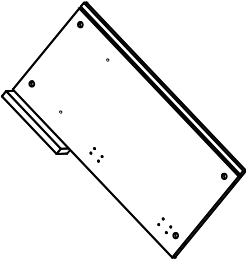
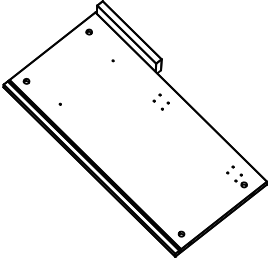
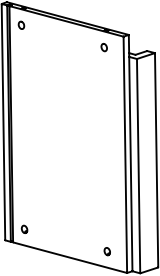
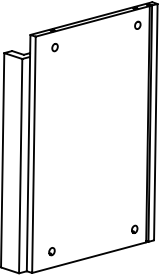
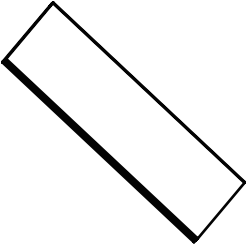
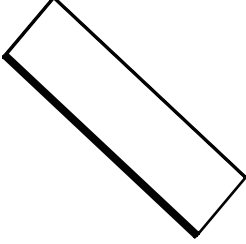
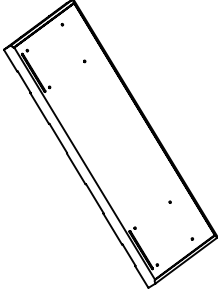
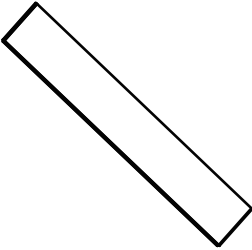
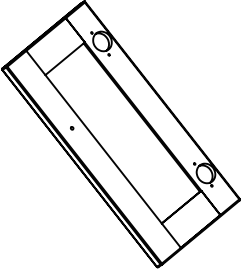
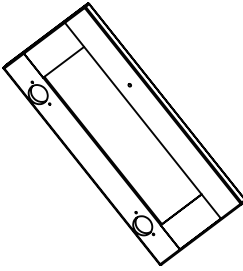
MODEL

X5021-2CHR
X5021-2TEK
X5021-2BLK
X5021-2GRY



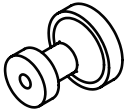
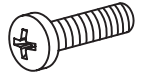
X5021-2MAH
X5021-2WHT
X5021-2WAL



PACKAGE CONTENTS

 <p>A</p>	 <p>B</p>	 <p>C</p>
 <p>D</p>	 <p>E</p>	 <p>F</p>
 <p>G₁</p>	 <p>G₂</p>	 <p>H</p>
 <p>I</p>	 <p>J</p>	 <p>K</p>

HARDWARE CONTENTS

<p>AA</p>  <p>Bolt Qty. 20</p>	<p>BB</p>  <p>Metal Connector Qty. 20</p>	<p>CC</p>  <p>Handle Qty. 2</p>	<p>DD</p>  <p>Screw Qty. 24</p>	<p>EE</p>  <p>Cabinet Door Hinge Qty. 4</p>	<p>FF</p>  <p>Screw M5x25 Qty. 2</p>
--	---	---	---	---	--

PACKAGE CONTENTS

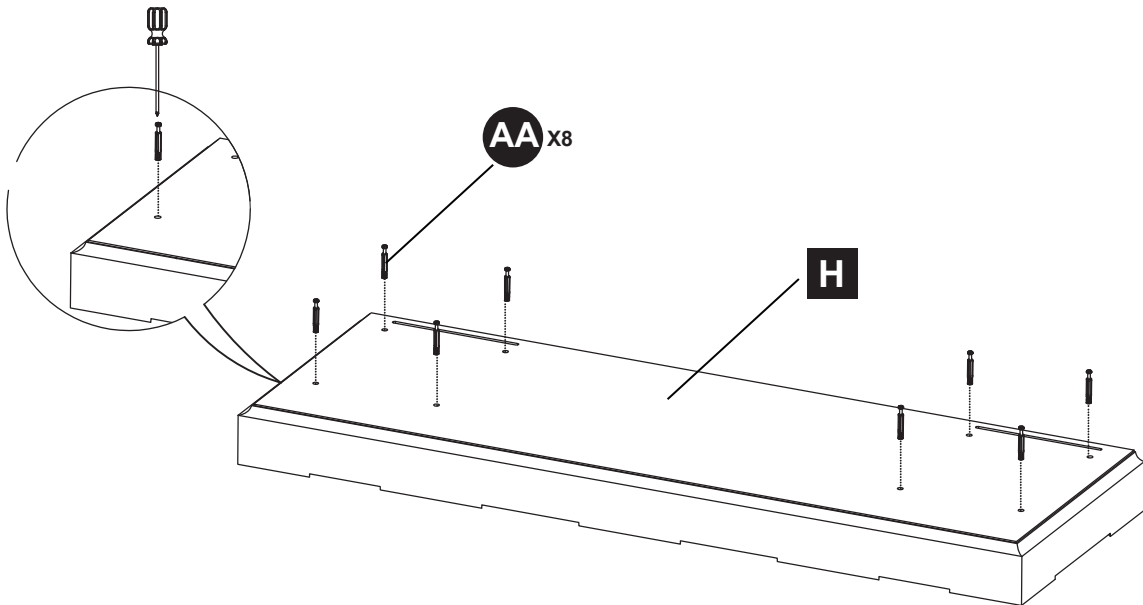
PART	DESCRIPTION	QTY.	PART NO.
A	Top Panel	1	
B	Top Shelf	1	
C	Left Side Panel	1	
D	Right Side Panel	1	
E	Left Inner Panel	1	
F	Right Inner Panel	1	
G1	Lower Back Panel	1	
G2	Lower Back Panel	1	
H	Base	1	
I	Upper Back Panel	1	
J	Left Door	1	
K	Right Door	1	
AA	Bolt	20	
BB	Metal Connector	20	
CC	Handle	2	
DD	Screw	24	
EE	Cabinet Door Hinge	4	
FF	M5x25 screw	2	

Some parts and specifications may change without notice.

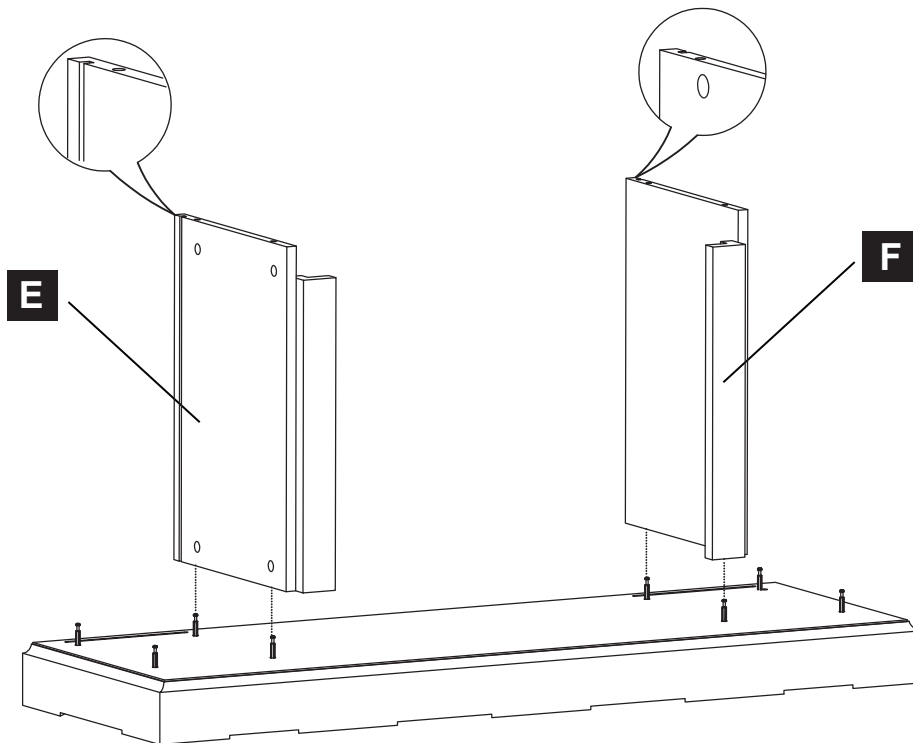
Carefully remove all pieces from the carton and make sure that you have all parts listed (refer to parts list on page 2-3).

PACKAGE STEPS

1.

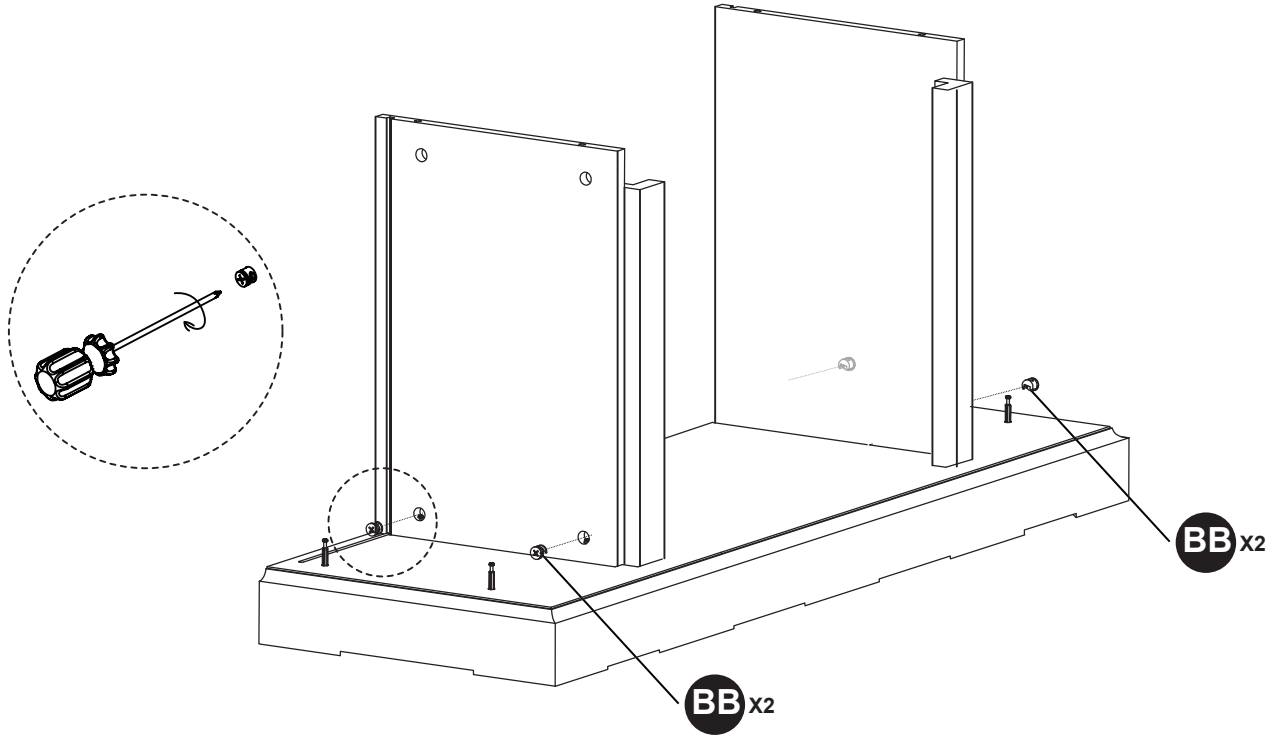


2.

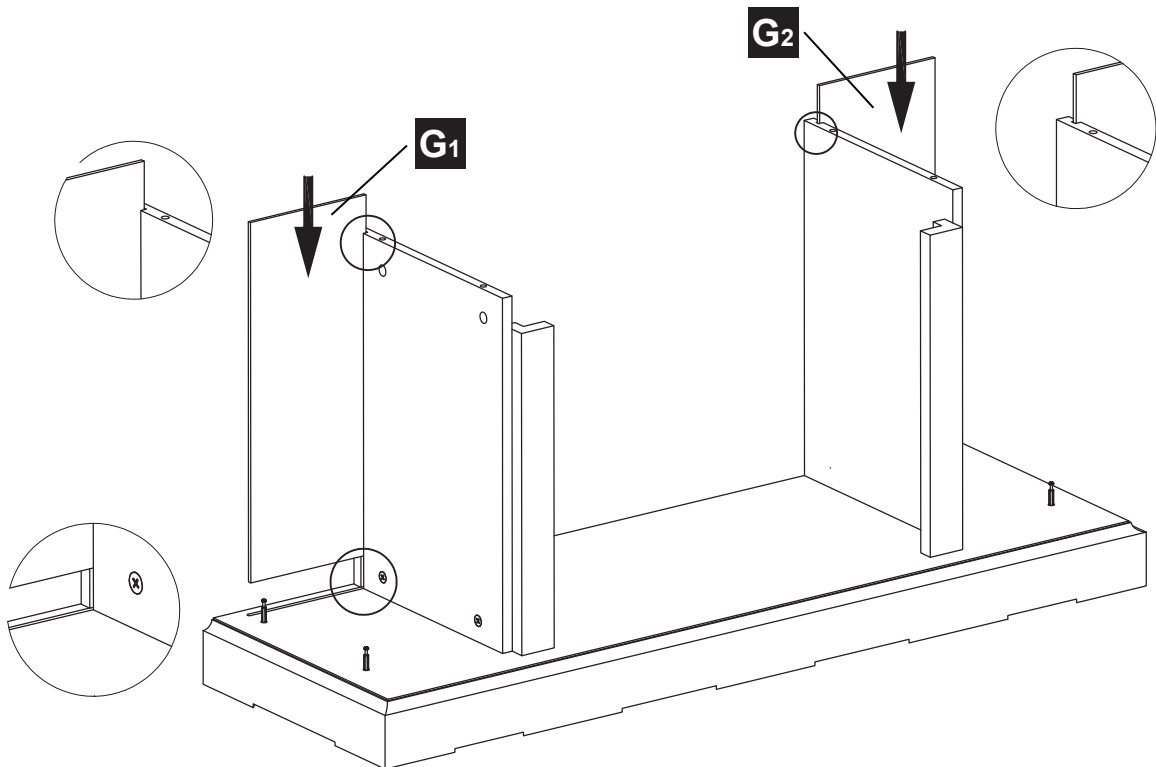


PACKAGE STEPS

3.

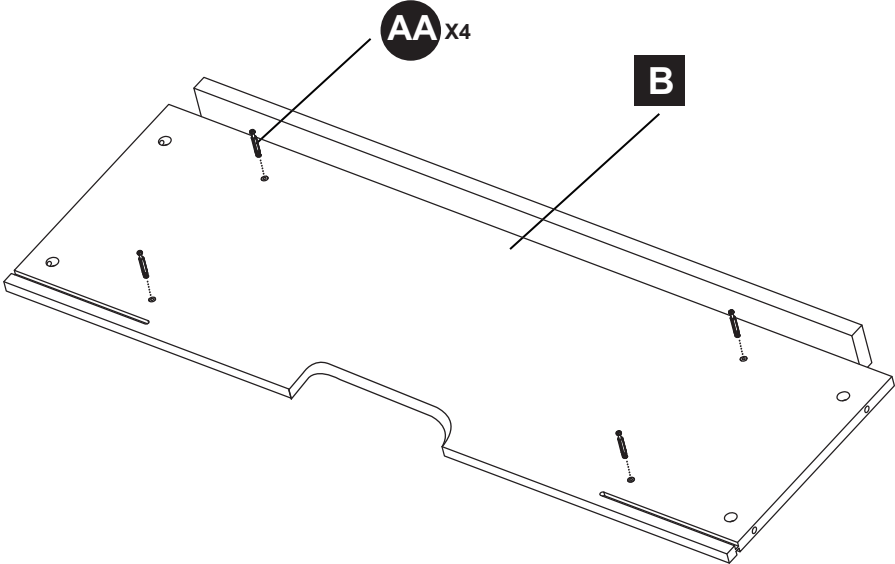


4.

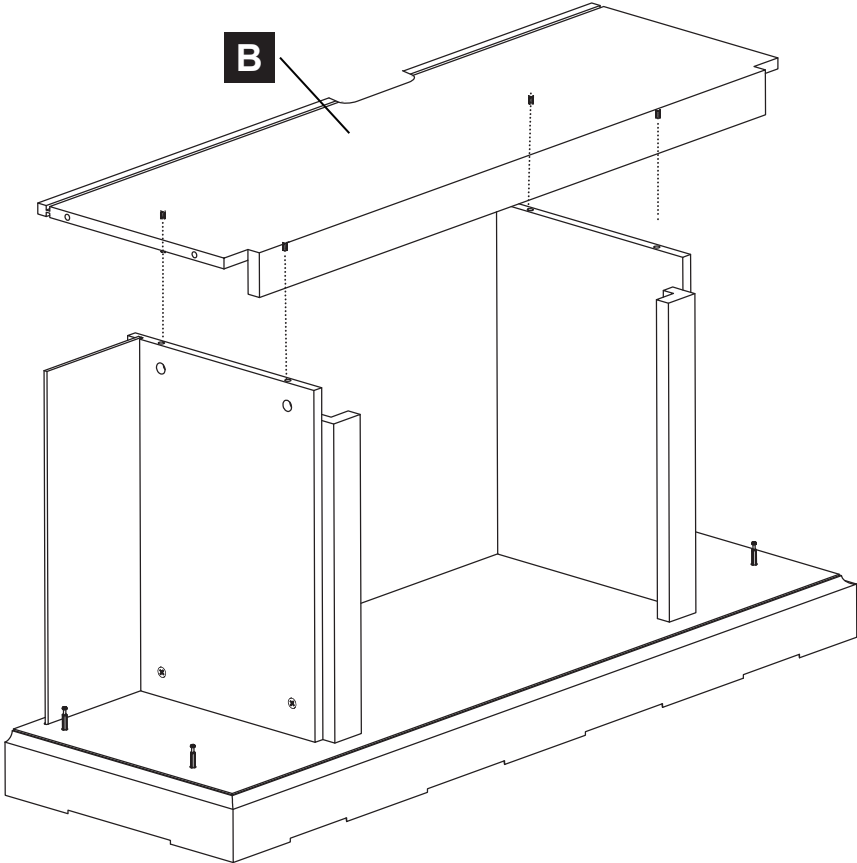


PACKAGE STEPS

5.

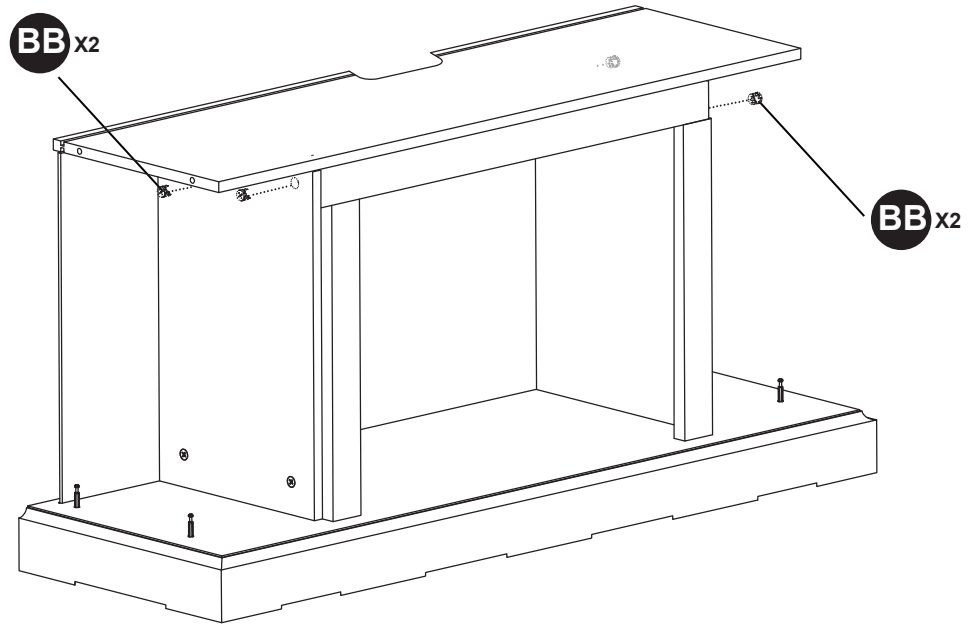


6.

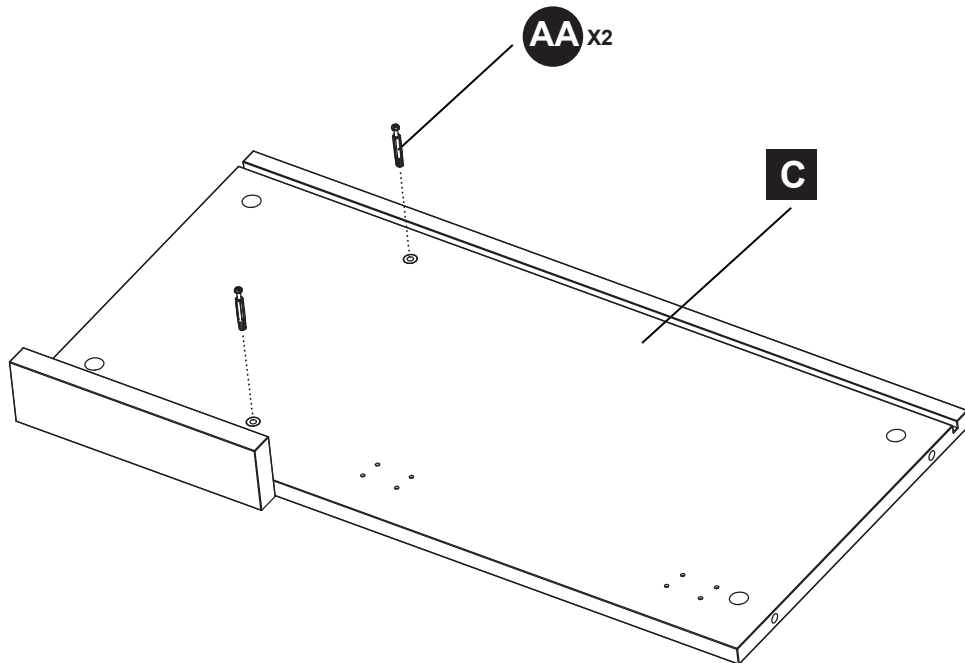


PACKAGE STEPS

7.

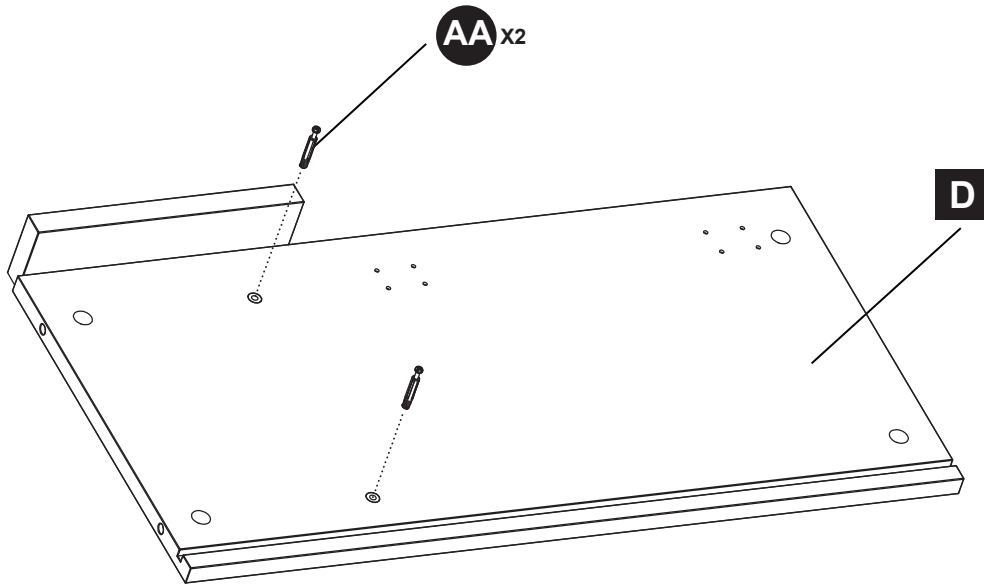


8.

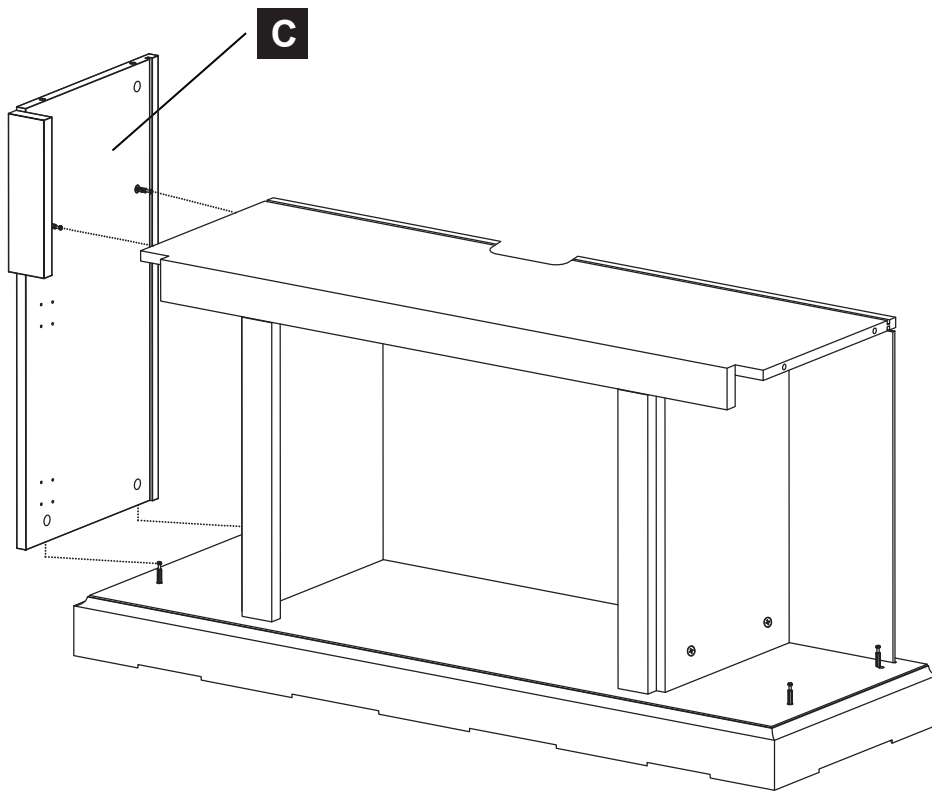


PACKAGE STEPS

9.

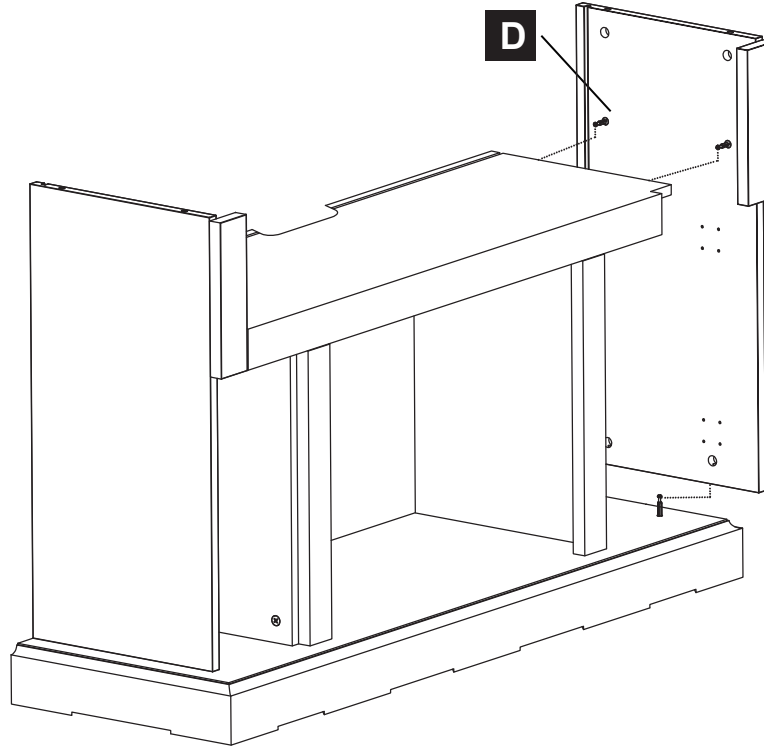


10.

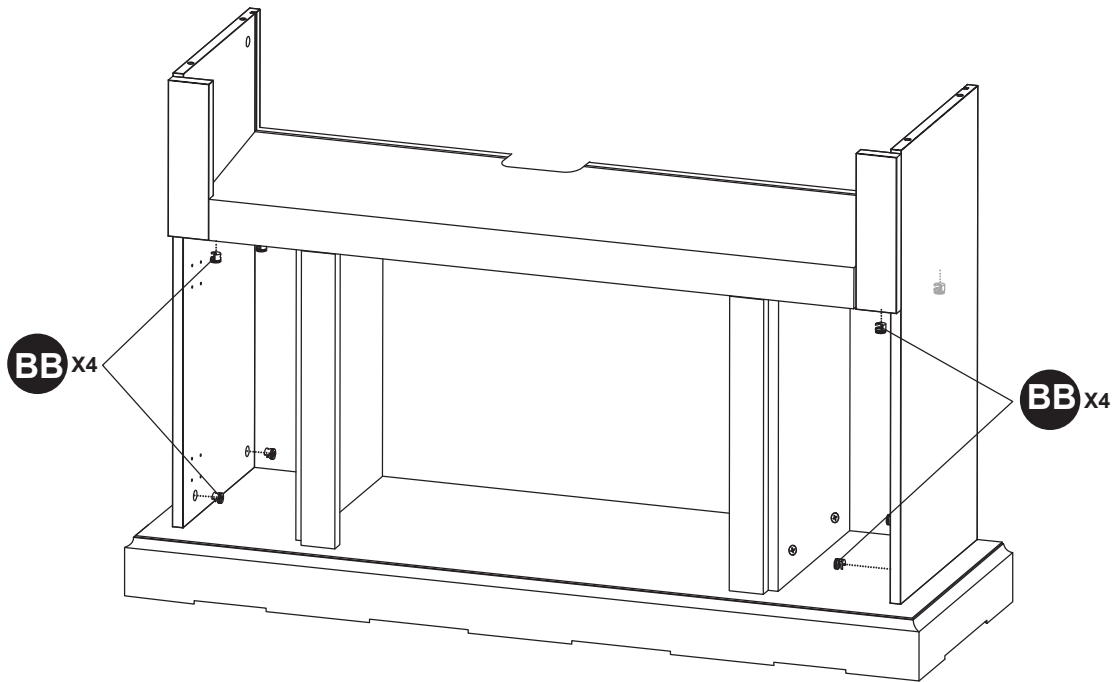


PACKAGE STEPS

11.

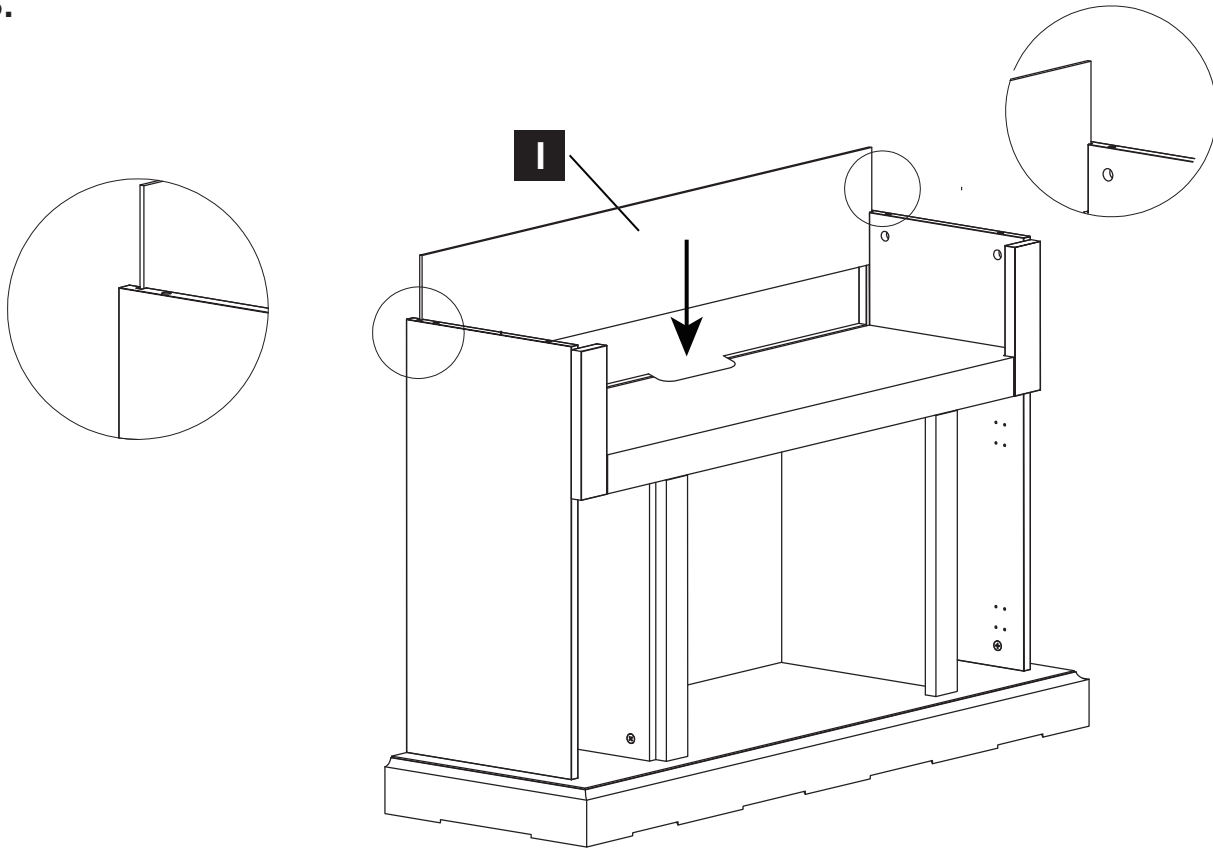


12.

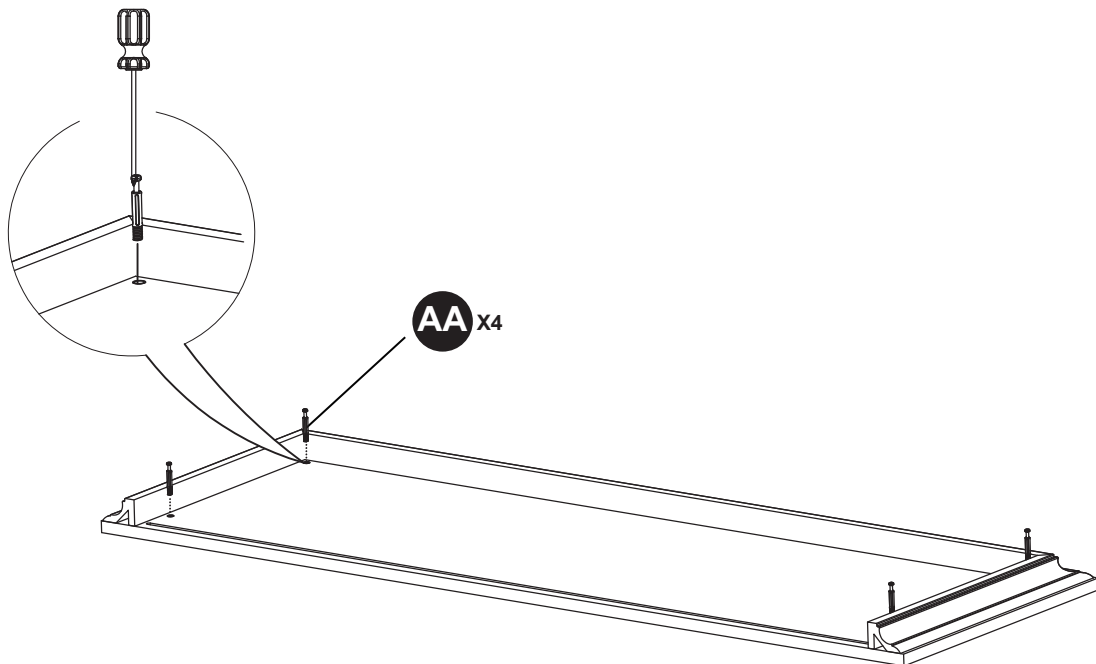


PACKAGE STEPS

13.

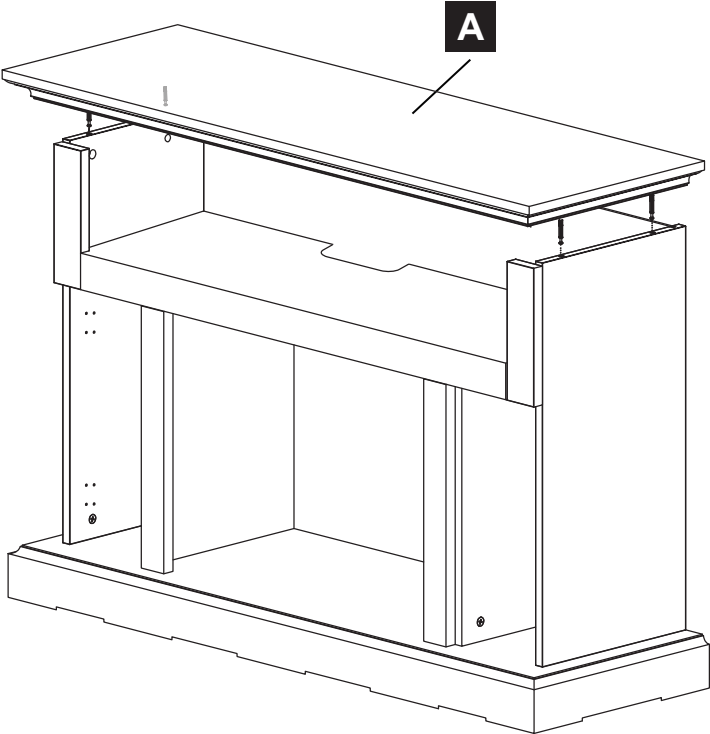


14.

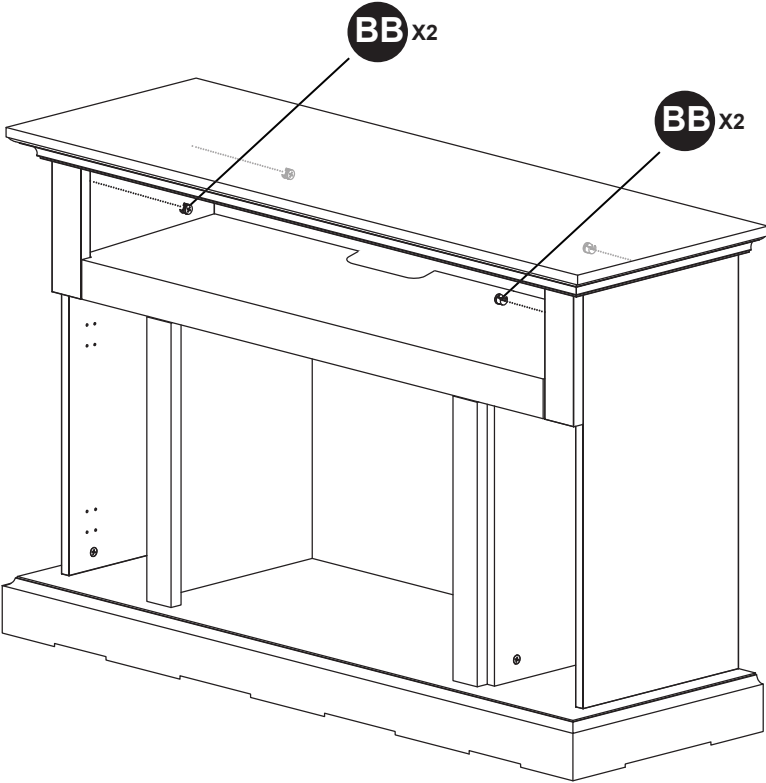


PACKAGE STEPS

15.

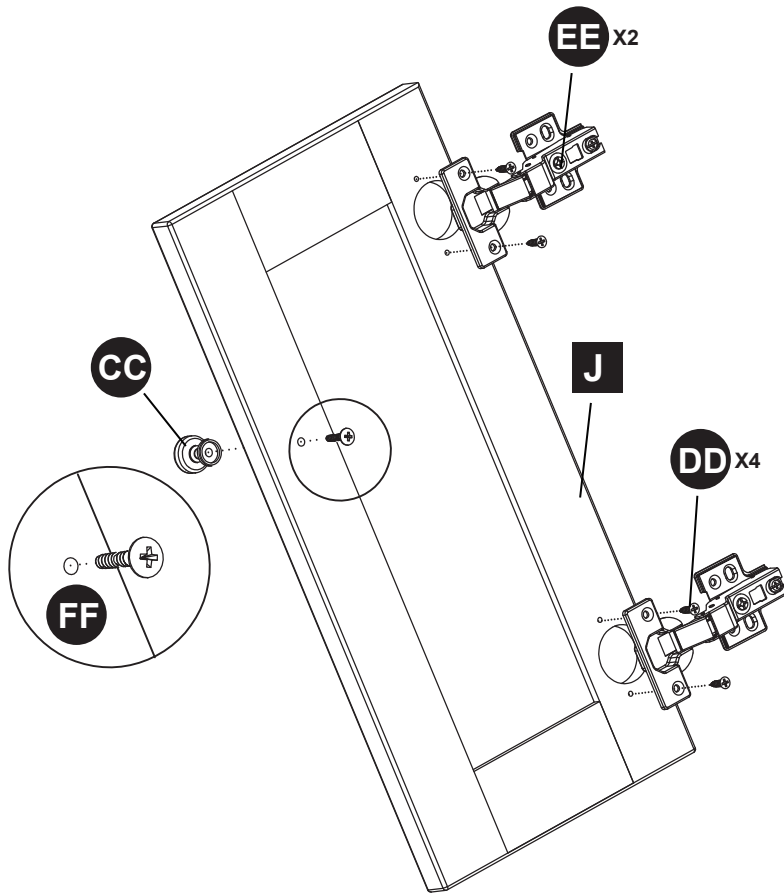


16.

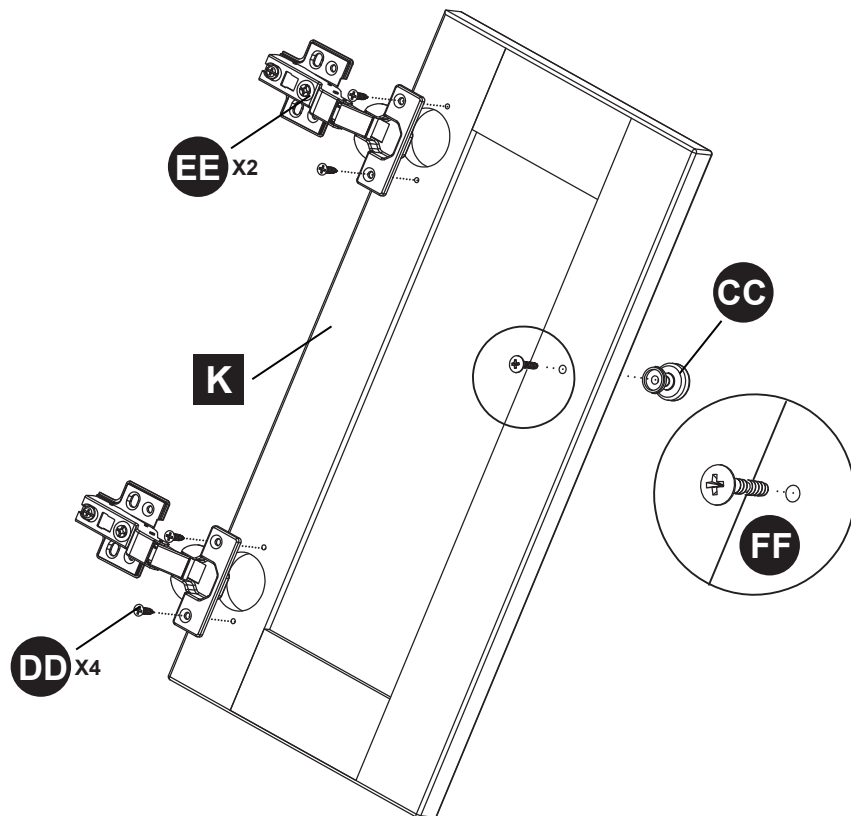


PACKAGE STEPS

17.

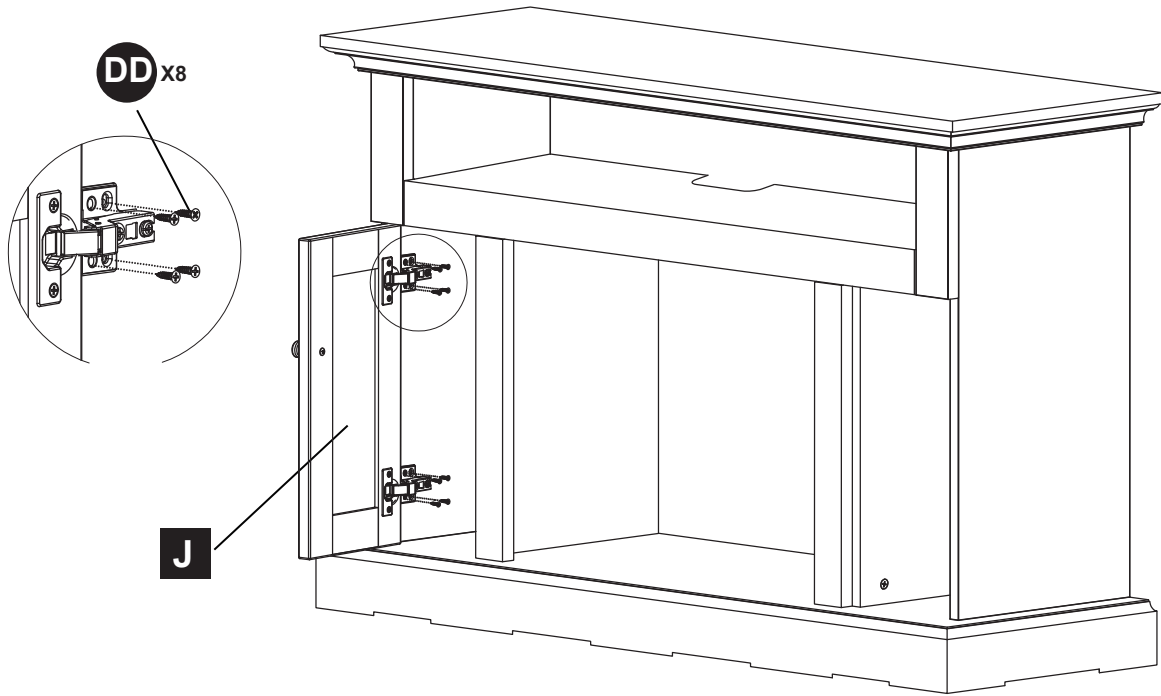


18.



PACKAGE STEPS

19.



20.

