

Concord®

HUGGER FAN

52HUG5-YG8

52HUG5-YG8-GU



Owners Manual and Installation Instructions

A Continuing Commitment to Excellence



READ AND SAVE THESE INSTRUCTIONS

Before beginning installation of your new Concord[®] ceiling fan, read and follow these safety precautions. If you are not familiar with national and local electrical codes and basic electrical wiring procedures, we recommend that you have a qualified electrician install your new ceiling fan.



- ❖ Before you begin, **TURN OFF THE ELECTRICITY.** Determine which circuit your new fan will be using and remove the fuse or turn off the circuit breaker at the main electrical panel.
- ❖ Make sure that all wiring conforms to national and local electrical codes. If you are in question, obtain a copy of the codes and wire the fan accordingly. Never leave bare wires uncovered (*wire connection*), use wire nuts to cap all connections. Plastic electrical tape is not recommended.
- ❖ When working with electricity, never take short cuts. Follow the code in every respect. Basic requirements for a ceiling fan installed with lights are, 120 volts AC - 60Hz, on a grounded circuit with a 15 amp breaker or fuse. Make sure that your electrical system and choice of location meet these requirements.
- ❖ If the location where you plan to install your fan does not already have an electrical outlet, hire a licensed electrician to run the wiring and install an outlet box designed for ceiling fans or heavy fixtures. The outlet box should be able to support a minimum moving weight of 50 pounds and marked “Acceptable for Fan Support” (*Plastic outlet boxes are not recommended for ceiling fan installation*).
- ❖ If you plan to use an existing electrical location, check to make sure that the outlet box is not **PLASTIC**, that it is securely attached and able to support at least 50 pounds of moving weight and marked “Acceptable for Fan Support”. If you have any questions, outlet boxes and support systems for ceiling fans are available at most hardware and do-it-yourself centers. In most cases, your Concord[®] dealer will have all the necessary products for the proper and safe installation of your ceiling fan.
- ❖ The location you choose should have a minimum clearance of 20 inches from any wall to the blade tip at any point in its rotation and a minimum of 7 feet from blade level to floor and 10 inches from the blades.



- ❖ This ceiling fan was not designed for installation in any location where it might be exposed to moisture or high humidity. Installation in this type of location could be UNSAFE, will most likely damage the fan and its finish... and will VOID YOUR WARRANTY.
- ❖ Every effort has been made to provide you with proper instructions for the safe installation of this ceiling fan. You could however, encounter situations or problems not covered in this manual. Should this occur, please refer to a do-it-yourself wiring handbook or hire a qualified electrician to install your fan.
- ❖ Never attach the blades to your ceiling fan before the fan body is properly mounted on the ceiling.
- ❖ Lubrication of your new ceiling fan is not necessary. The ball bearings have been adequately charged with grease and permanently sealed at the factory so that, under normal conditions, further attention is not necessary.



WARNING

To reduce the risk of fire, electrical shock, or personal injury, mount this fan to an outlet box marked “Acceptable for Fan Support” and use the Mounting Screws provided with the outlet box. **CAUTION:** Install the primary mounting means and use only the hardware provided with the fan.



WARNING

To reduce the risk of personal injury take care not to bend the blade carriers. Be careful not to insert foreign objects into rotating fan blades.



WARNING

The important safeguards and instructions appearing in this manual are not meant to cover all possible conditions and situations that may occur. It must be understood that common sense, caution and careful attention to detail are factors which cannot be built into this product. These factors must be supplied by the person or persons installing, caring for, and operating the unit.



Look for Me!
I have safety Tips and
Ideas for installation

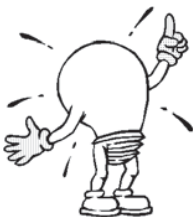
These instructions are designed for a number of similar but different ceiling fans. As you proceed, some steps may or may not apply to the fan you purchased. Compare each step or optional procedure to your fan and proceed accordingly.



**Have you
TURNED OFF
the Electricity?**



Step 1 Attach the mounting plate



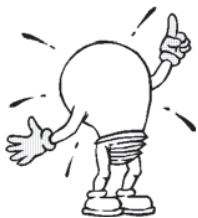
In order to operate properly, this type of ceiling fan must be installed on a flat and level ceiling. If you have a sloped ceiling, you should return the fan and purchase one with a sloped or vaulted ceiling mounting system.

Select the ceiling mounting plate (see figure 1).

Pull the electric wires in the junction box down through the center hole in the mounting plate (see figure 2).

Install the mounting plate to the electrical junction box in the ceiling (see figure 3) using two (2) machine screws,

**NO MOVEMENT SHOULD OCCUR
BETWEEN THE MOUNTING BRACKET
AND THE ELECTRICAL JUNCTION BOX.**



Bend the electrical wires up and back out of the way with the black wire to one side and the white and ground wire to the other side. The wires should be off to the side and up against ceiling.

This will leave the mounting plate open and ready to receive the motor.

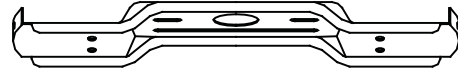


Fig. 1

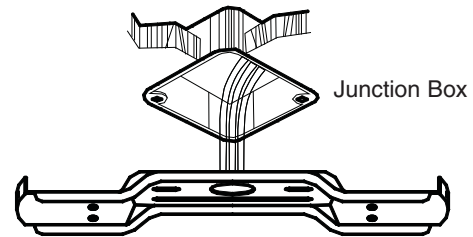


Fig. 2

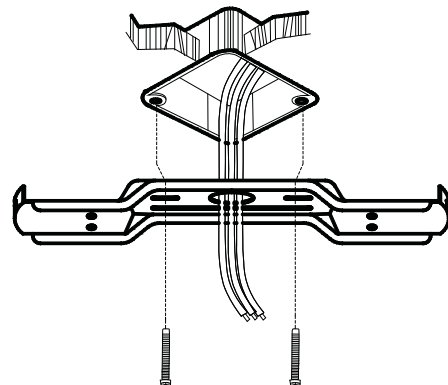


Fig. 3

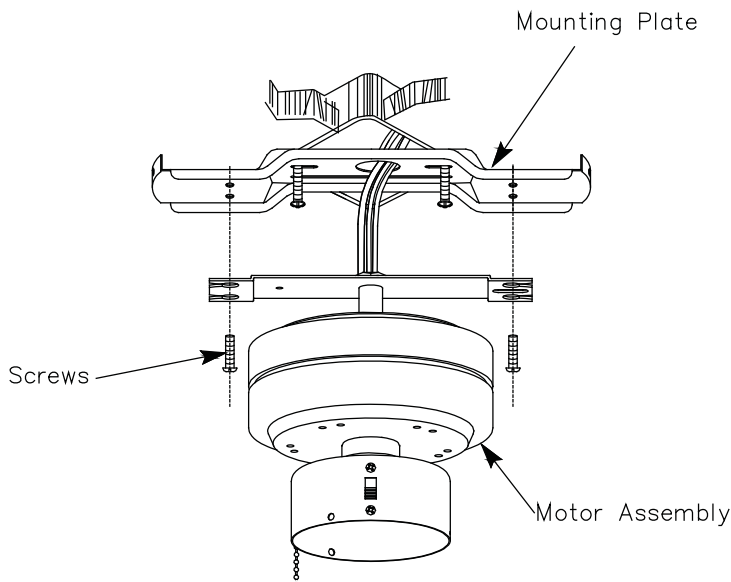


Fig. 4

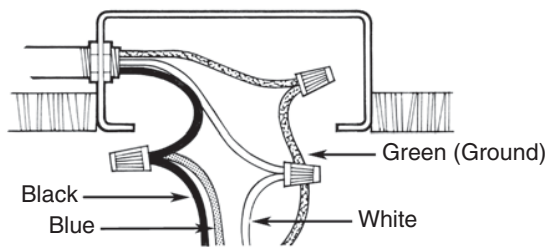


Fig. 5

Step 2 Hanging the Motor

Hang motor assembly on motor (see figure 4).

Electrical Connections

To operate the ceiling fan with the pull chain(s) and switches mounted on the fan, follow the instructions below.

If you require or would like to use a different method of controlling your fan, refer to the [Optional Electrical Wiring Procedures](#) (page 8) later in this manual.

Trim the excess length of lead wires, leaving about six to eight inches of each wire extending from the motor and then make the following connection (see figure 5):

-Attach the **GREEN** wire connected to the motor mounting plate to the **GREEN** wire from the junction box. The **GROUND** wire in the ceiling is usually a bare copper wire without plastic insulation. It could also be covered green plastic insulation.

-Attach the **BLACK** wire and **BLUE** wire from the motor to the **BLACK** wire in the junction box.

-Attach the **WHITE** wire from the motor to the **WHITE** wire in the junction box.

-Make sure each connection is **SECURE** and **TIGHT**.



Each of the above connections should be made as tight as possible using the proper size plastic wire nuts. Plastic electrical tape is not recommended for these connections.

-Fold the connected wires and push them one at a time through the hole in the ceiling plate. Make sure the wire nuts do not come loose or fall off during this operation.

Press motor assembly to ceiling, aligning holes with mounting screws and secure with washers and nuts (supplied).



Step 3 Hanging the Fan Body

Carefully slide Motor Housing over Motor Assembly (see figure 6) and secure with four (4) Motor Housing screws.

Step 4 Fan Blade and Blade Arm Assembly

Most CONCORD fans are supplied with a reversible blade finish. Choose the blade finish that you prefer and attach as follow:

- ❖ Attach each fan blade to a blade arm with three 3/16" x 7.5 mm blade screws and three 3/16" fiber washers (see figure 7). **DO NOT OVER TIGHEN THESE SCREWS.**
- ❖ Screws should be tightened until the washers are compressed by the screw head. Hold the Blade Arm decorative side down and place the blade on top with the flat side of the blade facing down. Each screw is passed through the washer and blade and screwed into the blade arm.

Step 5 Fan Blade Assembly Installation

Attach each blade to the motor face using pre-installed screws (see figure 8). Take care not to bend the blade arms during installation. This will cause your fan to wobble while running.



Try mounting the blades on opposing sides of the motor face. This will help keep the fan more level during blade installation.

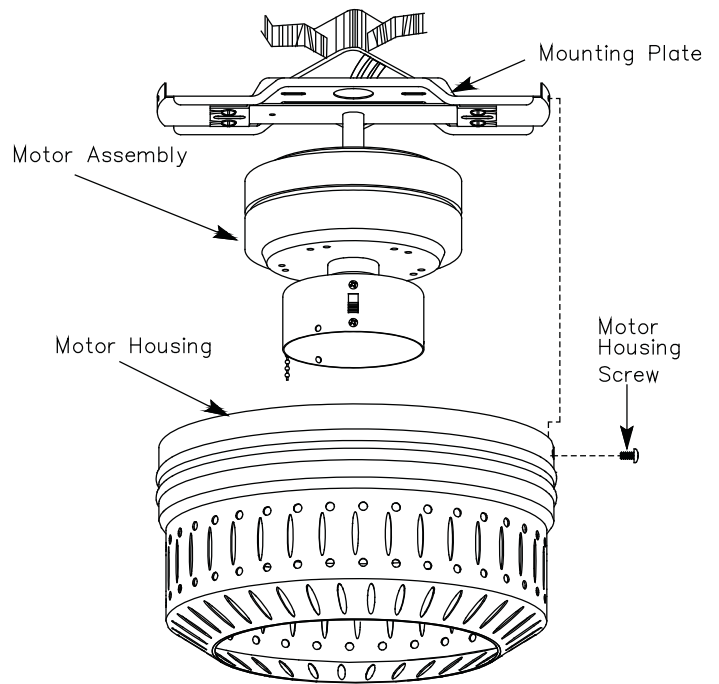


Fig. 6

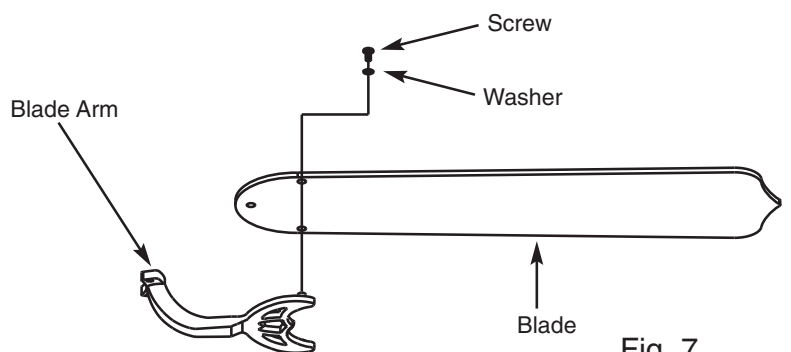


Fig. 7

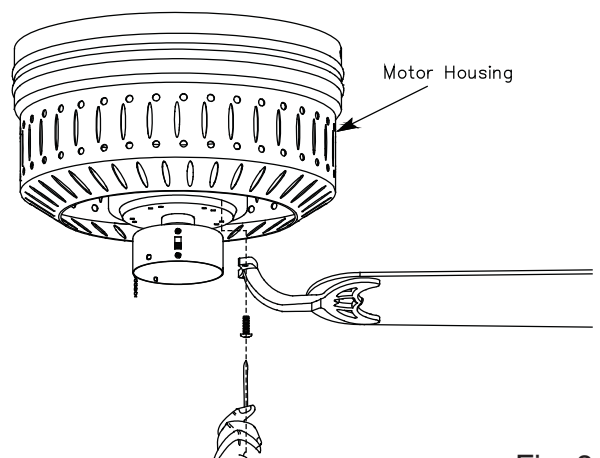


Fig. 8

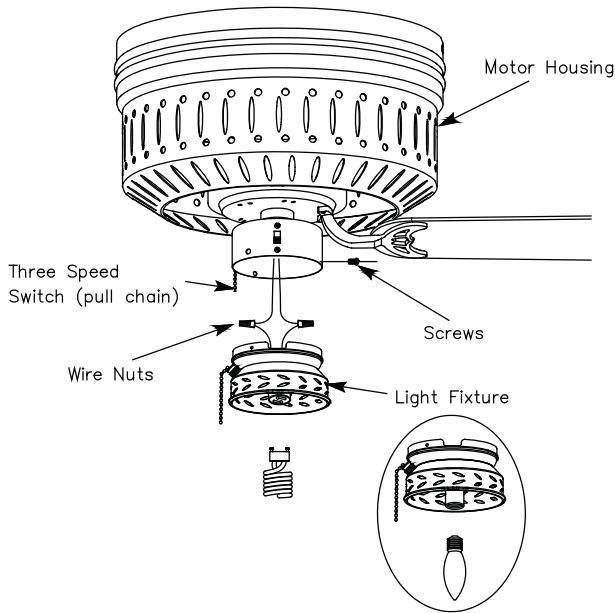


Fig. 9

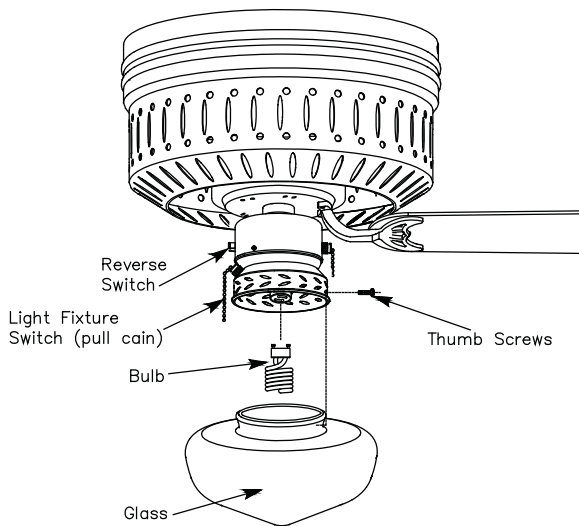


Fig. 10

Step 6 Light Fixture Installation & Installing Glass Shades and Bulbs

Back off (loosen) the three screws on the electrical housing cover.

Connect White wire to White wire, and Black wire to Blue wire using quick connectors. Press together firmly.

Place light fixture onto fan, line up the 2 holes and rotate light fixture; Insert the screws and tighten. Place glass shades onto light fixture, Secure with thumb screws, DO NOT over tighten (*see figure 10*).

Twist bulbs into socket, DO NOT over tighten.

Step 7 Final Checks

Check all set screws and connections are properly in place and tight.

Check blade clearance and rotation.

Attach the decorative pull chain tassel(s) to the switch housing.



Each of the above connections should be made as tight as possible using the proper size plastic wire nuts. Plastic electrical tape is not recommended for these connections.



Optional Wiring Diagrams

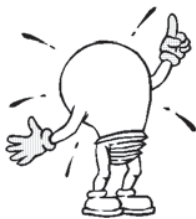
Figure 11 illustrates the wiring used to control the fan with a wall switch plus an optional light fixture controlled at the fixture.

Figure 12 illustrates the wiring used to control fan with the pull chain on the electrical switch housing plus an optional light fixture with a wall switch.

Figure 13 illustrates the wiring used to control the fan and optional light fixture with separate wall switches.

IMPORTANT NOTE:

ONLY USE AN OPTIONAL WALL SWITCH THAT HAS BEEN DESIGNED FOR USE WITH CEILING FANS



Your dealer carries a number of different types of CONCORD wall switches that have been designed and tested for use with our products. To obtain the best performance electrical components should be matched for output, for that reason, we only recommend the use of CONCORD products.

If you elect to control the motor of your ceiling fan from a wall switch, remember that the wall switch will only turn your fan ON or OFF. The speed can be adjust at the fan.

If you elect to control the speeds of your ceiling fan from a wall switch, YOU MUST set the speed switch on the ceiling fan to HIGH speed and leave it in that setting.

Fan controlled with wall switch and Light controlled at fan

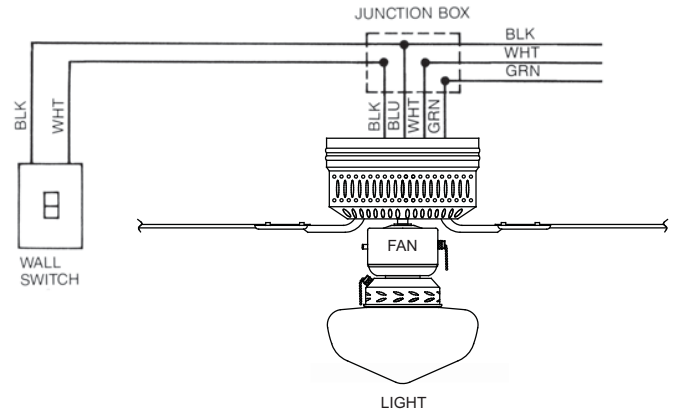


Fig. 11

Fan controlled at fan with Light controlled at wall switch

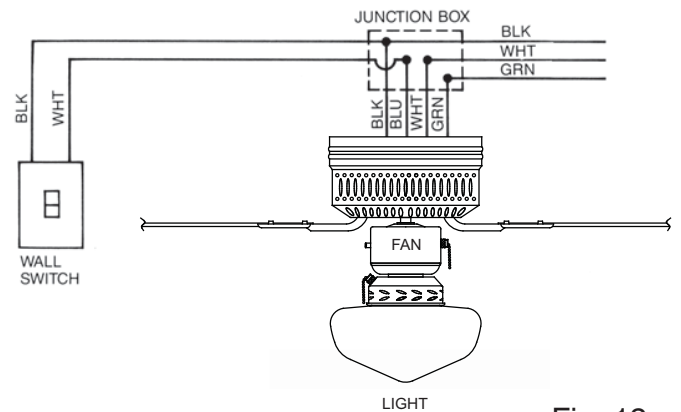


Fig. 12

Fan & Lights controlled by wall switch or switches

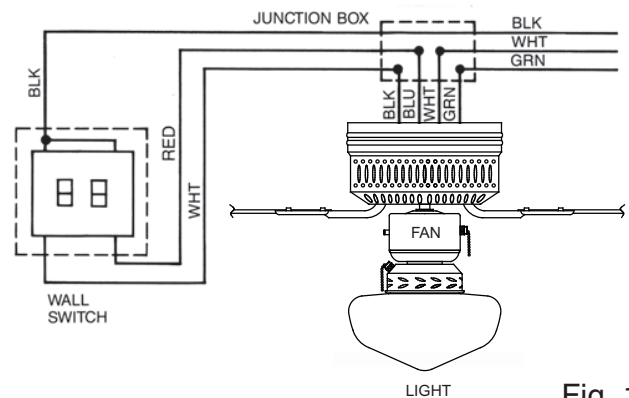


Fig. 13



Your new CONCORD ceiling fan is now ready for use. Reset your circuit breaker and restore power to the circuit. See the Operation Instructions below to review the function of each control on your fan.

Operation Instructions

The three speed pull chain located on the switch housing (*see figure 9*) controls the speed of your fan. When the fan is OFF, pull the chain once for HIGH speed, twice for MEDIUM speed, three times for LOW speed and fourth time to turn it off again.

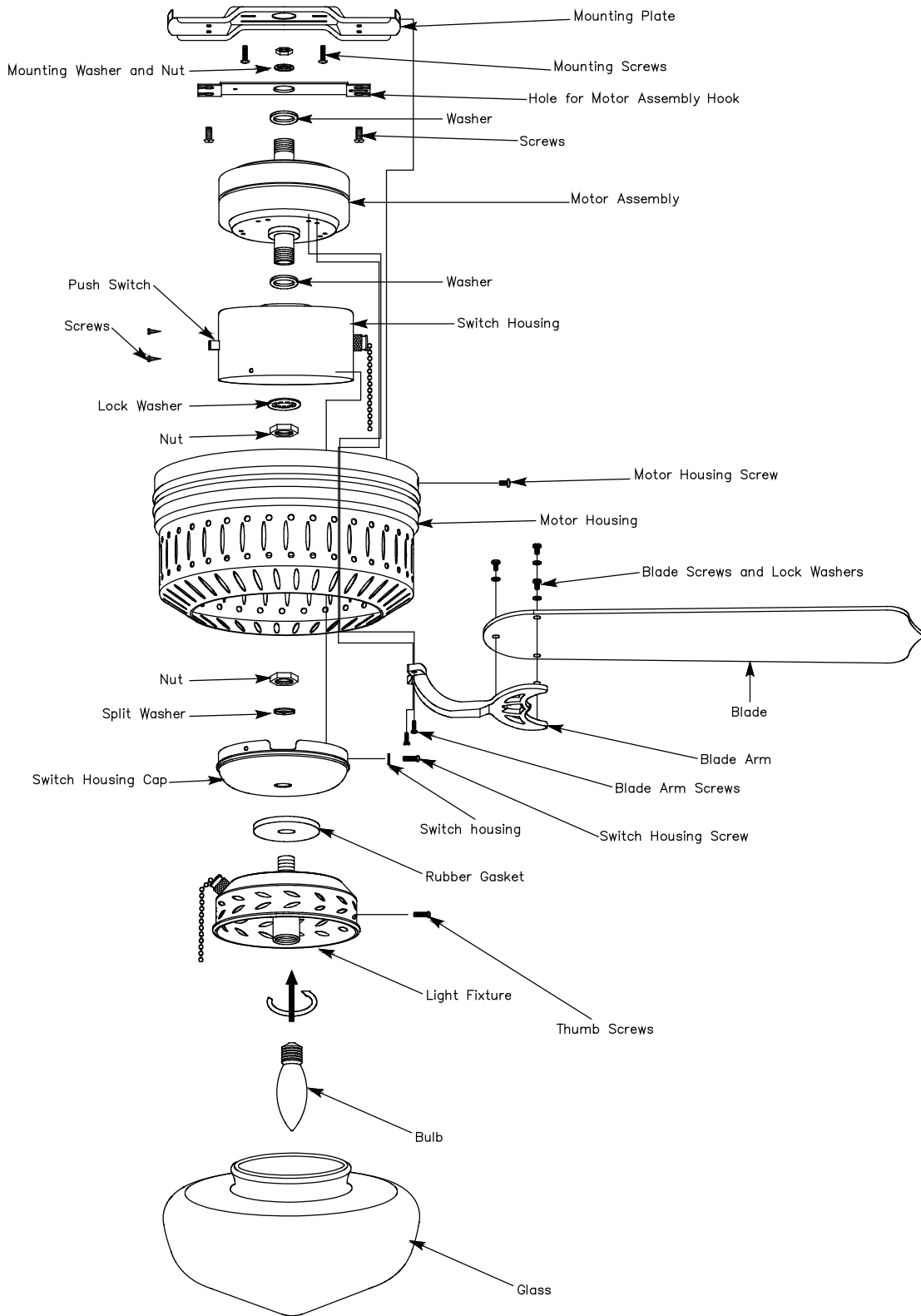
The light fixture pull chain located on the bottom of the light fixture (*see figure 10*) controls your light kit in "ON" or "OFF".

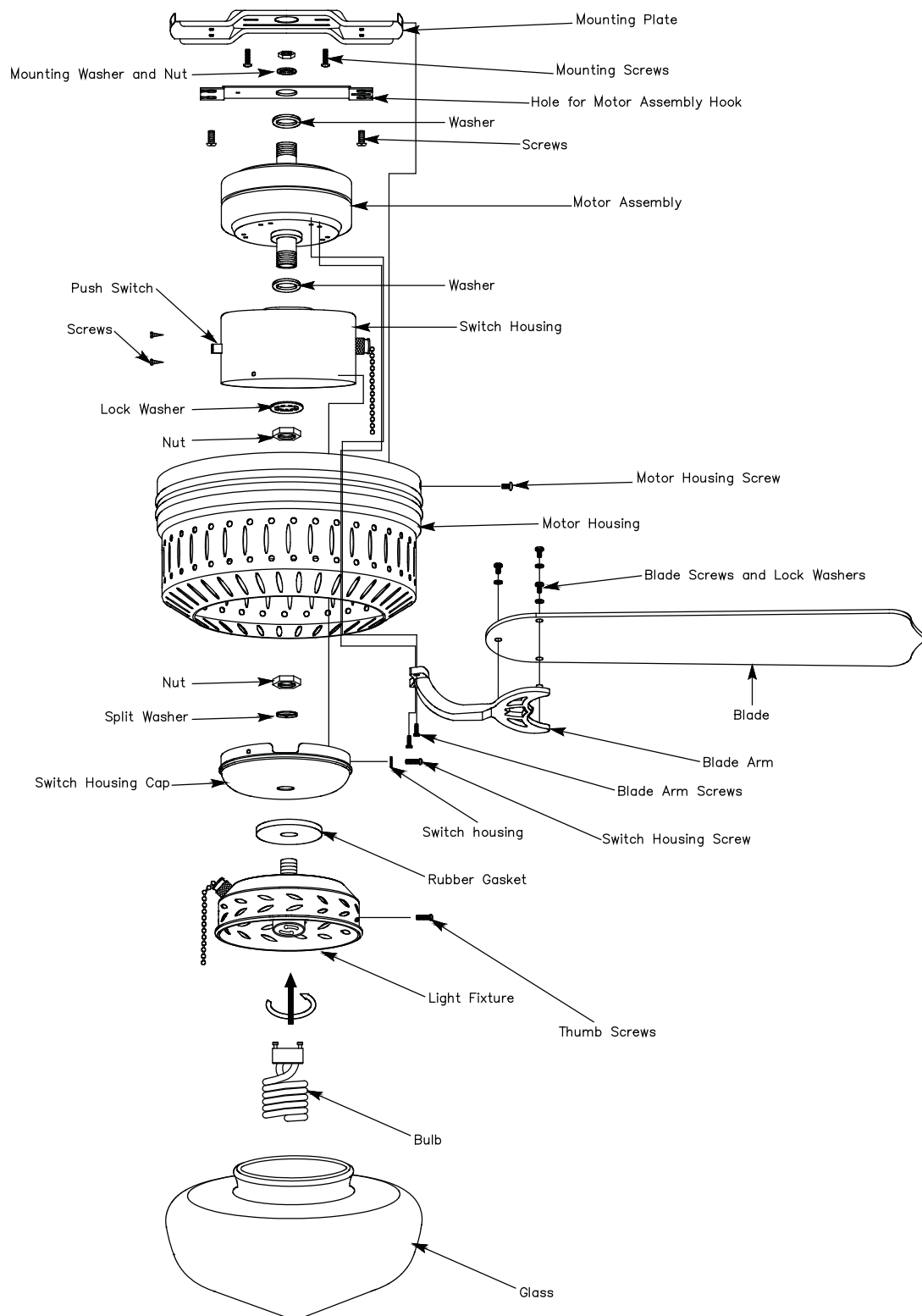
The slide switch located on the switch housing (*see figure 10*) controls the direction of blade rotation. The UP position sets the blades in REVERSE rotation (air moves UP). The DOWN position sets the blades in FORWARD rotation (air moves DOWN).



Maintenance

Your fan requires very little maintenance. Cleaning of the housing should be done with a damp soft cloth (NO CLEANING AGENTS). On the blades, use a duster or dry cloth because any moisture could cause the blades to warp.







Concord Fans 2015 • ALL RIGHTS RESERVED •

No part of this publication may be produced, transmitted, transcribed, stored in a retrieval system, or translated into any language in any form by any means without the written permission of Concord Fans.

Concord Fans is a division of Luminance.