

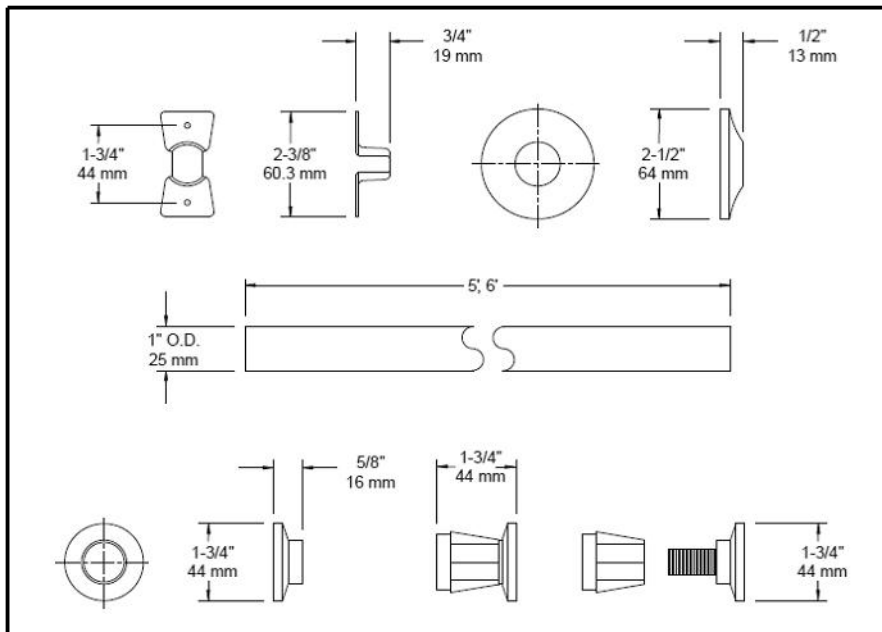


ACCESSORIES

- Stainless Steel Shower Rod
- 5' & 6' Stainless Steel Shower Rod

Submitted Model No.: _____

Specific Features: _____



STANDARD SPECIFICATIONS:

- Install hanger type flanges and rod with 4 - #8 X 1-1/4" round head zinc plated steel screws provided. Cover flanges to be on rod before installation of hangers and rod. Slide cover flanges over hangers to complete installation. Install adjustable tension mounted holders and rod by sizing rod 1-5/8" shorter than wall opening. Insert rod into holders and tighten into position with counterclockwise motion on threaded holder until secure.

WARRANTY

- Limited Lifetime Warranty to the original consumer purchaser to be free from defects in material and workmanship.
- Limited Lifetime Warranty for usage in all industrial, commercial and business applications.