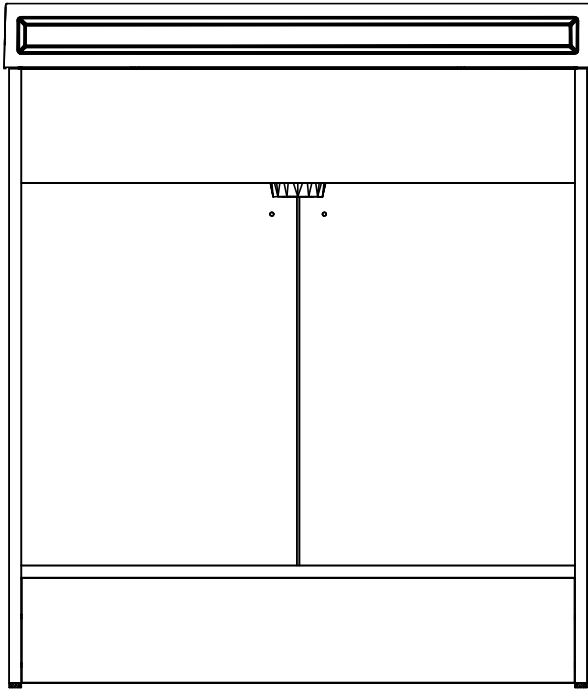
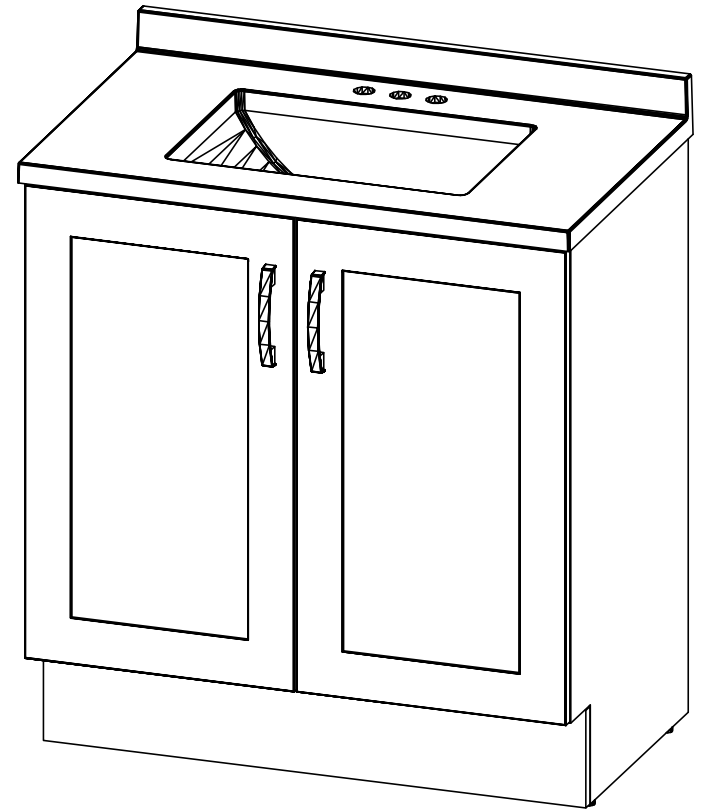


#	ITEM ID	DESCRIPTION
1	S1930P3-KG	Concept 4 30in Vanity w/Vanity Top & Mirror - Kitchen Gray

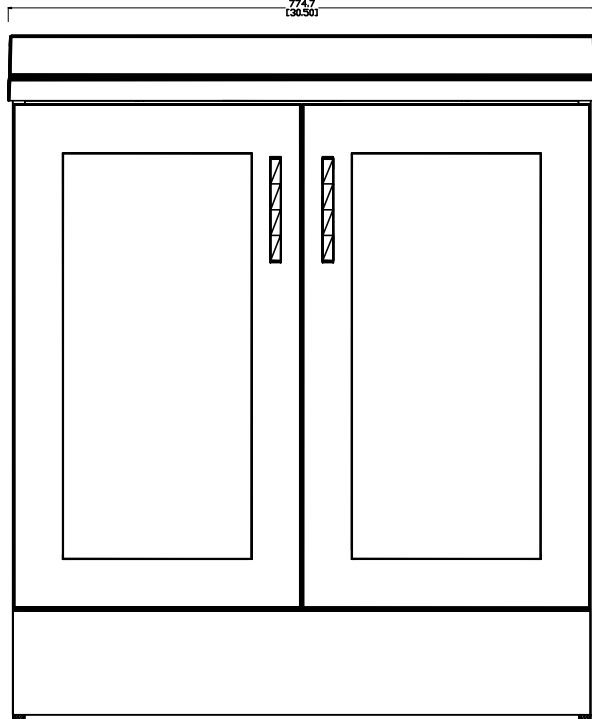
REV	ECO#	DESCRIPTION	APRV'D BY DATE
0		Released	DL 12/11/18



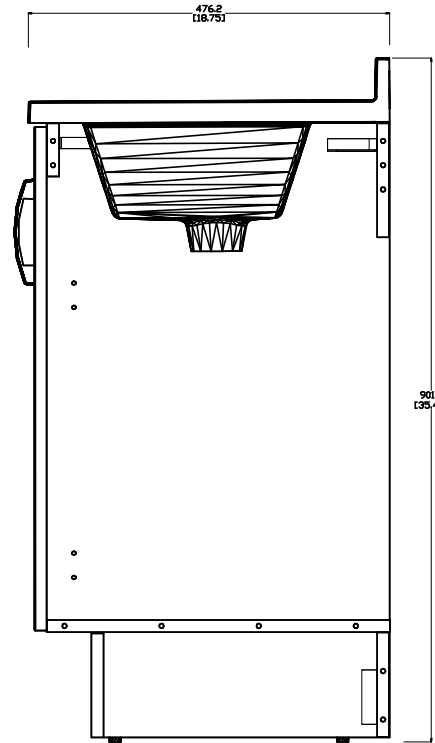
BACK VIEW



SIDE VIEW
(Without right side)



FRONT VIEW



	Edge Banding	
(A)	Surface Cabinet Exterior	
(B)	Surface Cabinet Interior	
TAG	SIZE	QUANTITY
①	∅ 3 ↓ 3-9	#
②	∅ 5 ↓ 13	#
③	∅ 5 ↓ 30	#
④	∅ 6 ↓ 13	#
⑤	∅ 6 ↓ 19	#
⑥	∅ 7.5 ↓ THRU	#
⑦	∅ 8 ↓ 11.7	#
⑧	∅ 35 ↓ 11.7	#

PROPRIETARY AND CONFIDENTIAL
THE INFORMATION CONTAINED IN THIS DRAWING IS THE
SOLE PROPERTY OF WOODCRAFTERS HOME PRODUCTS
L.L.C. ANY REPRODUCTION IN PART OR AS A WHOLE
WITHOUT THE WRITTEN PERMISSION OF WOODCRAFTERS
HOME PRODUCTS L.L.C. IS PROHIBITED.

UNLESS OTHERWISE SPECIFIED
DIMENSIONS ARE IN mm
and[inches]
AND TOLERANCES ARE
+/- 1 [0.04]

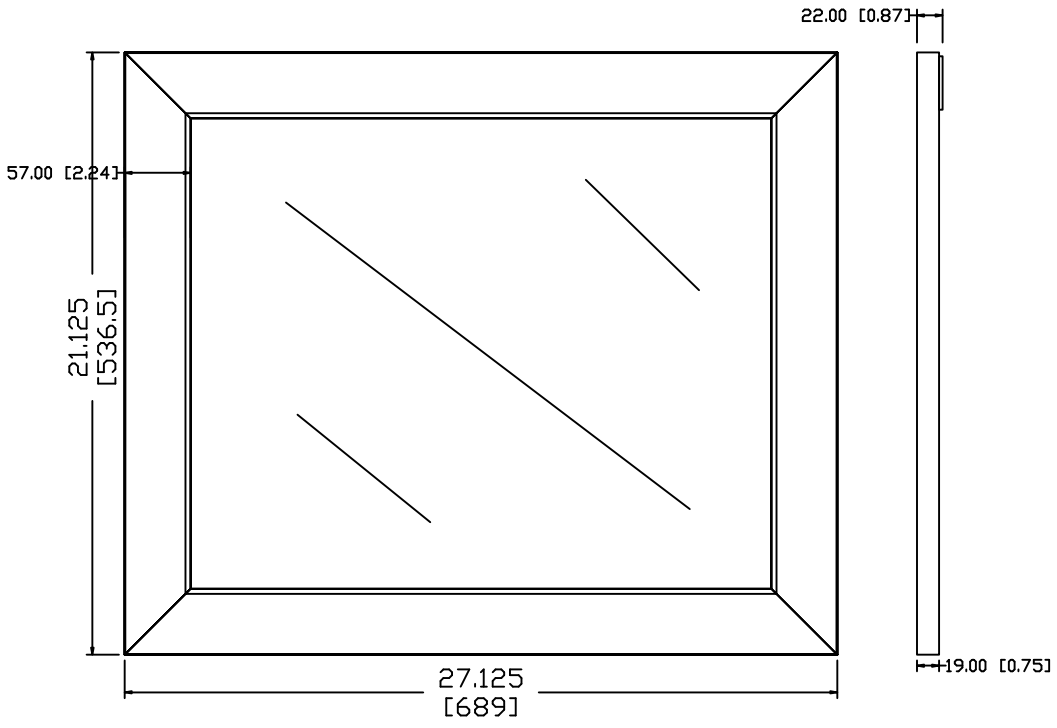
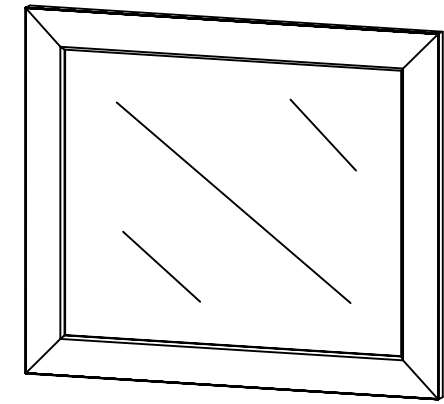
DRAWN BY:	Omar Leal
CHECKED BY:	Juan Sanchez
APPROVED BY:	Alexandro H.
DO NOT SCALE DRAWING	SCALE:

Wood Crafters
 Concept 4 30in Vanity
 w/Vanity Top & Mirror
 - Kitchen Gray

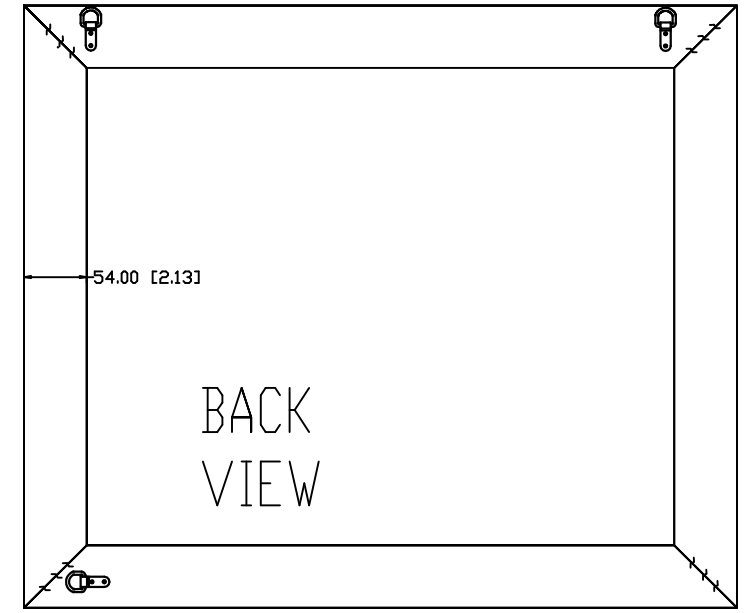
SIZE: A PART NO: PAGE 1 OF 1 REV: 0

#	ITEM
1	294577

ISOMETRIC VIEW



FRONT VIEW



BACK VIEW



PROPRIETARY AND CONFIDENTIAL
 THE INFORMATION CONTAINED IN THIS DRAWING IS THE
 SOLE PROPERTY OF WOODCRAFTERS HOME PRODUCTS
 L.L.C. ANY REPRODUCTION IN PART OR AS A WHOLE
 WITHOUT THE WRITTEN PERMISSION OF WOODCRAFTERS
 HOME PRODUCTS L.L.C. IS PROHIBITED.

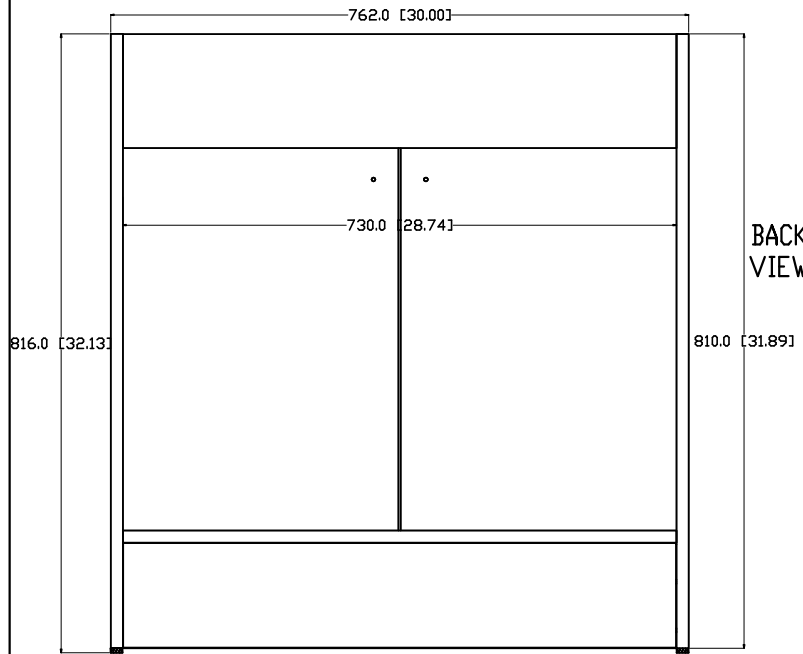
UNLESS OTHERWISE SPECIFIED
 DIMENSIONS ARE IN mm
 and [inches]
 AND TOLERANCES ARE
 +/- 1 [0.04]

DRAWN BY:	Carlos R.
CHECKED BY:	Alexandro
APPROVED BY:	Juan S.
NO NET SCALE DRAWING	SCALE: 1:1

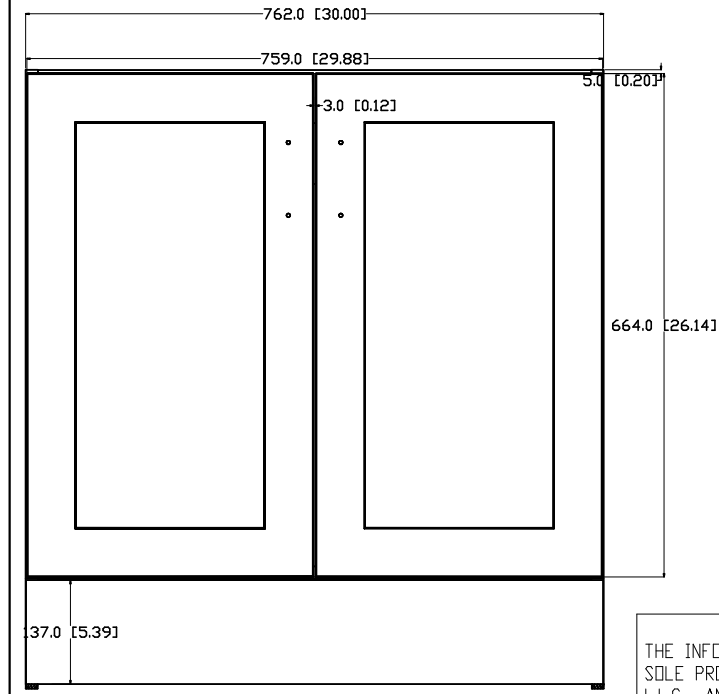
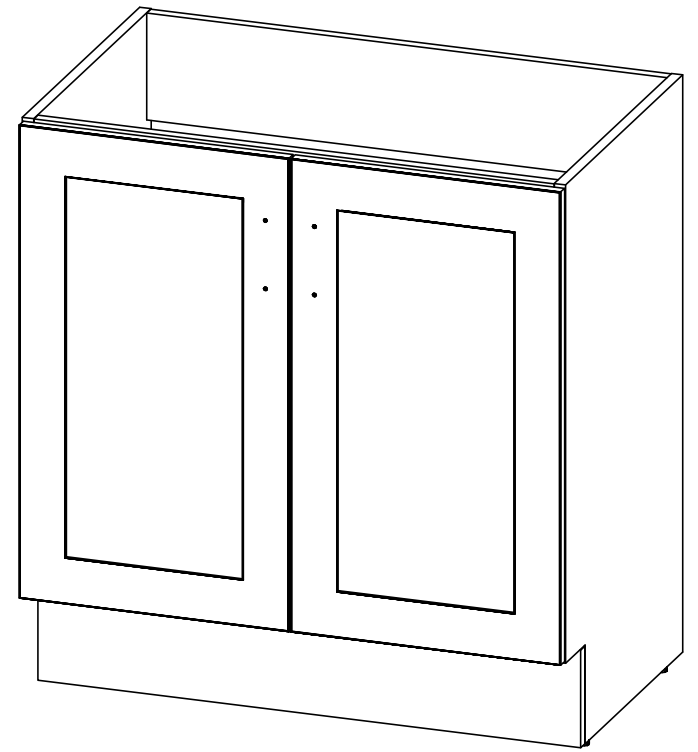
TITLE:	Wall Mirror Gray
PART NO.	
PAGE	1 OF 1
REV:	0

#	ITEM ID	DESCRIPTION
1	S1930P3-KG	Concept 4 30in Vanity w/Vanity Top & Mirror - Kitchen Gray

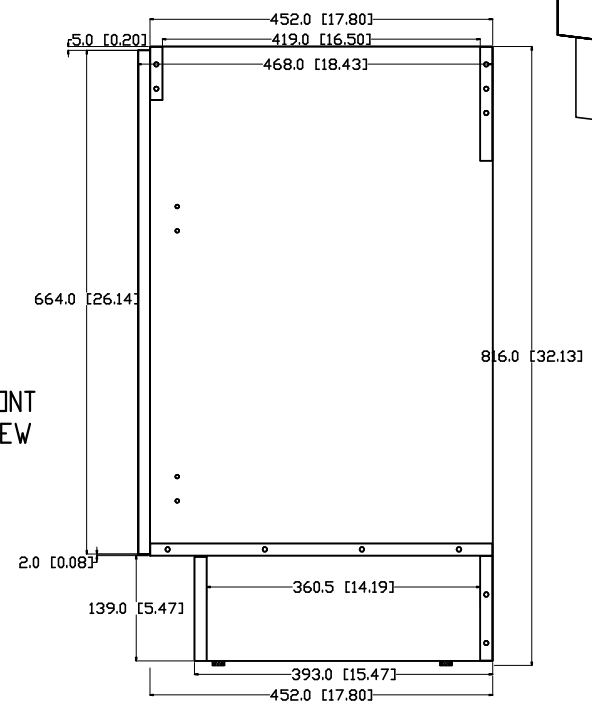
REV	ECD#	DESCRIPTION	APRV'D BY DATE
0		Released	DL 12/11/18



BACK VIEW



FRONT VIEW



SIDE VIEW
(Without right side)

	Edge Banding	
(A)	Surface Cabinet Exterior	
(B)	Surface Cabinet Interior	
TAG	SIZE	QUANTITY
①	Ø 3 ↓ 3-9	#
②	Ø 5 ↓ 13	#
③	Ø 5 ↓ 30	#
④	Ø 6 ↓ 13	#
⑤	Ø 6 ↓ 19	#
⑥	Ø 7.5 ↓ THRU	#
⑦	Ø 8 ↓ 11.7	#
⑧	Ø 35 ↓ 11.7	#



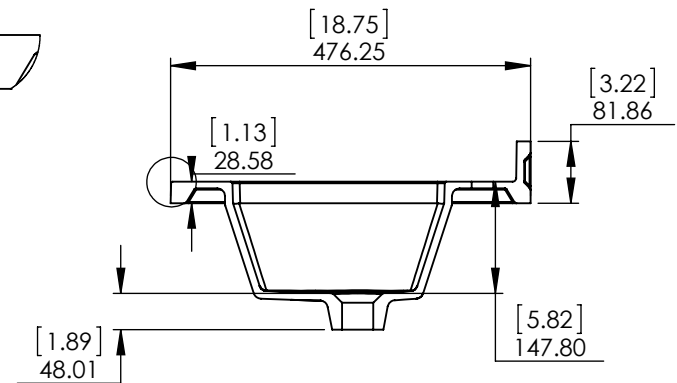
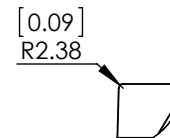
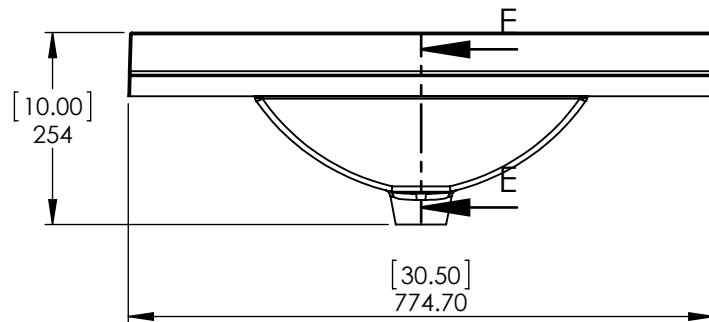
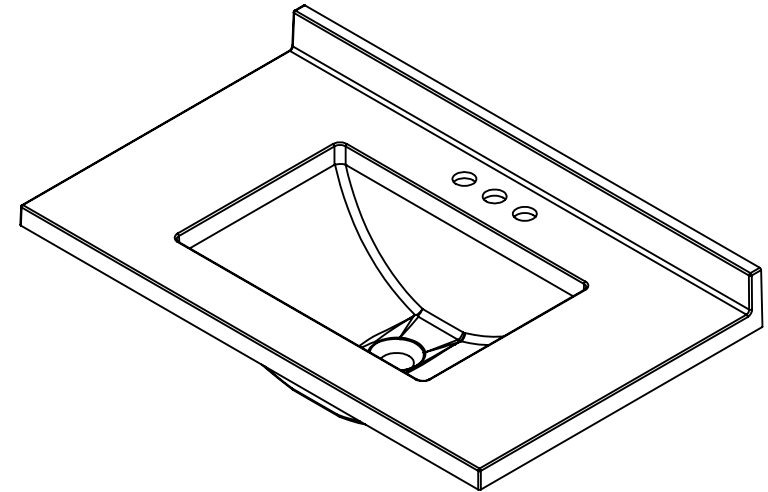
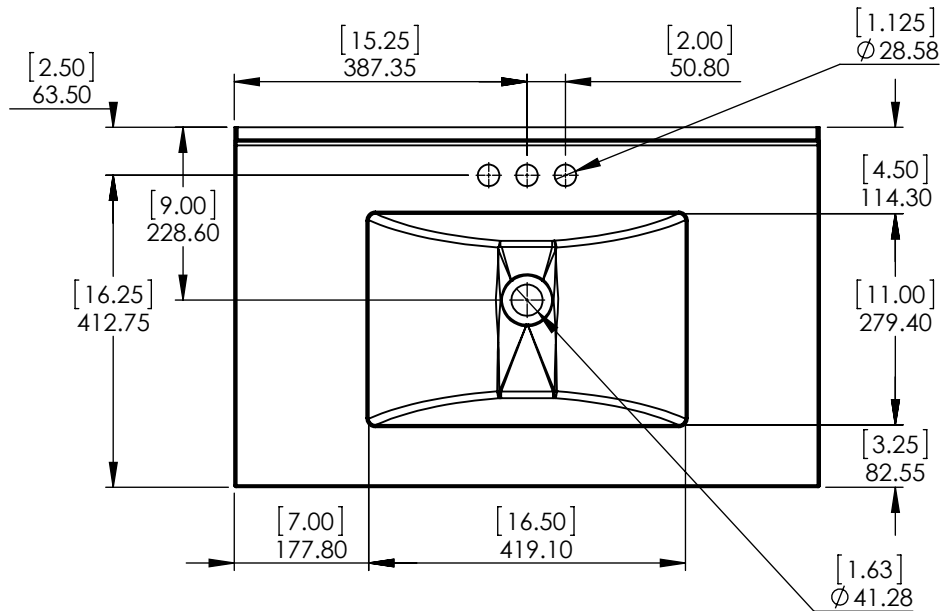
PROPRIETARY AND CONFIDENTIAL
THE INFORMATION CONTAINED IN THIS DRAWING IS THE
SOLE PROPERTY OF WOODCRAFTERS HOME PRODUCTS
L.L.C. ANY REPRODUCTION IN PART OR AS A WHOLE
WITHOUT THE WRITTEN PERMISSION OF WOODCRAFTERS
HOME PRODUCTS L.L.C. IS PROHIBITED.

UNLESS OTHERWISE SPECIFIED
DIMENSIONS ARE IN mm
and [inches]
AND TOLERANCES ARE
+/- 1 [0.04]

DRAWN BY:	Inar Leal	
CHECKED BY:	Juan Sanchez	
APPROVED BY:	Alexandro H.	
DO NOT SCALE DRAWING	SCALE:	
SIZE: A	PART NO:	PAGE 1 OF 1
REV: 0		

TITLE:
Concept 4 30in Vanity
w/Vanity Top & Mirror
- Kitchen Gray

Rev #	Approved by	Change
1	V. Sanchez	New Model Added
2	I. Sandate	New Model Added
3	R. Rubio	New Model Added
4	R. Rubio	New Model Added



NOTE: MAX. WARPAGE
TOLERANCE 1/8"

PROPRIETARY AND CONFIDENTIAL
THE INFORMATION CONTAINED IN THIS DRAWING IS THE SOLE PROPERTY OF WOODCRAFTERS. ANY REPRODUCTION IN PART OR AS A WHOLE WITHOUT THE WRITTEN PERMISSION OF WOODCRAFTERS IS PROHIBITED.

UNLESS OTHERWISE SPECIFIED
DIMENSIONS ARE IN MM.
AND (INCHES)
TOLERANCES ARE
+ 0.125 [3.175] - 0.125 [-3.175]
SCALE:1:10

	NAME	DATE
DRAWN	E. Sandoval	3/30/15
CHECKED	E. Sandoval	3/30/15
ENG APPR.	R. Rubio	8/30/16
MFG APPR.	C. Leal	8/30/16

Wood Crafters

SIZE DWG. NO. **A** 2 Tone 30.5 x 18.75 Rect. - FG

SHEET 1 OF 2 REV. **4**

ID	Description	Technology	Status
595465	Vtop Bitono Rect 30.5x18.75 SS	Solid Surface / Caramel	Approved for production
595468	Vtop Bitono Rect 30.5x18.75 SS	Solid Surface / Titanium	Approved for Production
595454	Vtop Bitono Rect 30.5x18.75 CP	Solid Color / white	Approved for Production
595457	Vtop Bitono Rect 30.5x18.75 SS	Solid Surface / Autumn	Approved for Production
SS3119R-TI	Glacier Bay 30.5 in. Solid Surface Vanity Top in Titanium with White Basin	Solid Surface / Titanium	Approved for Production
595618	Vtop Rect 30.5x18.75 Bitono CP White 4in	Color Point / Color Point	Approved for Production

Rev #	Approved by	Change
1	V. Sanchez	New Model Added
2	I. Sandate	New Model Added
3	R. Rubio	New Model Added
4	R. Rubio	New Model Added

PROPRIETARY AND CONFIDENTIAL
 THE INFORMATION CONTAINED IN THIS DRAWING IS THE SOLE PROPERTY OF WOODCRAFTERS. ANY REPRODUCTION IN PART OR AS A WHOLE WITHOUT THE WRITTEN PERMISSION OF WOODCRAFTERS IS PROHIBITED.

UNLESS OTHERWISE SPECIFIED
 DIMENSIONS ARE IN MM. AND [INCHES]
 TOLERANCES ARE
 + 0.125 [3.175] - 0.125 [-3.175]
 SCALE:1:10

	NAME	DATE
DRAWN	E. Sandoval	3/30/15
CHECKED	E. Sandoval	3/30/15
ENG APPR.	R. Rubio	8/30/16
MFG APPR.	C. Leal	8/30/16

