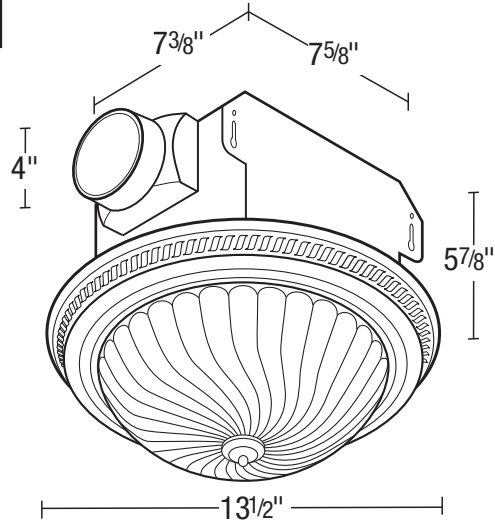




SPECIFICATIONS
AKLC
EXHAUST FAN WITH LIGHT

2100 HVI CERTIFIED 70 CFM/2.5 Sones @ 0.10" SP.

- **Grill**
AKLC701 - Oil Rubbed Bronze Finish: 13 1/2" diameter.
AKLC702 - Nickel Finish: 13 1/2" diameter.
AKLC703 - White Finish: 13 1/2" diameter.
- **Light Lens**
Ribbed frosted glass light lens.
- **Light Housing**
Heavy gauge cold rolled steel c/w baked enamel finish; locks in place on the grill via two integral tabs.
- **Blower Wheel**
One piece polymeric wheel, 4 1/2" diameter, 1" wide, with 10 fins.
- **Motor**
Single coil plug-in, two pole motor, life time lubrication, thermally protected. Rated 120 volts, 60 Hz., 1.6 amps.
- **Fan Housing**
23 ga. Galvanized metal housing, dimensions 7 3/8" x 7 5/8" x 5 7/8", double metal thickness mounting tabs.
- **Duct Collar**
Plastic collar for 4" duct connection, comes complete with built in non-metallic back draft damper for quiet operation.
- **Ventilating Area**
For bathrooms up to 65 sq. ft. for other rooms up to 85 sq. ft.
- **Lighting**
2 - 26W medium base fluorescent lamps (2-60W type A19 incandescent bulbs can also be used) (lamps not included)



- **Unit Mounting**
Rated Type IC for ceilings insulated to R-40. Designed to mount in ceilings with at least 6" of clearance. The unit will mount directly to the joist with a rough in opening of 7 5/8" x 7 7/8". The housing will mount through drywall thickness up to 3/4".
- **Single Pack Shipping Info**
Box Dim: 11 1/2" x 13 1/4" x 9 1/2"

EXPANDED PERFORMANCE											
	<i>Static Pressure (inches of w.g.)</i>							<i>Sones @ .1 SP</i>	<i>Fan Speed RPM</i>	<i>Maximum Fan Watts</i>	<i>Amps</i>
	0	0.05	0.1	0.125	0.15	0.2	0.25				
Air Flow - CFM	81	75	70	67	64	58	50	2.5	1375	33	1.6

PROJECT					ARCHITECT						
LOCATION					ENGINEER						
CONTRACTOR					SUBMITTED BY					DATE	
FAN NUMBER	MODEL NUMBER	CFM	IN W.G.	RPM	WATTS	AMPS	SONES	QTY	OPTIONAL EQUIPMENT & REMARKS		



Air King: 820 Lincoln Avenue
West Chester, Pennsylvania 19380-4466
Tel: (610) 692-7400 • 877-304-3785
Fax: (610) 696-8048