

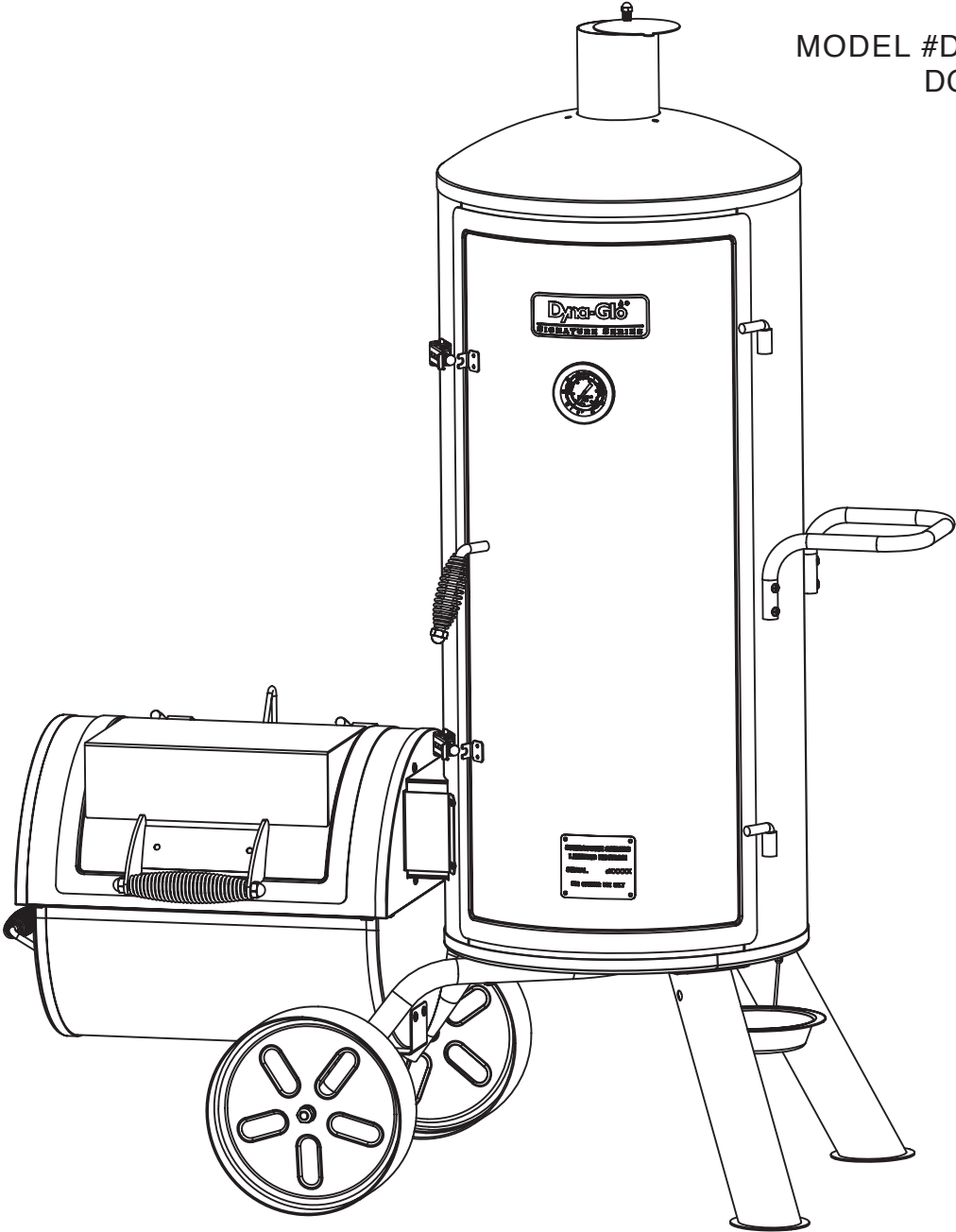


# Heavy-Duty Charcoal Offset Vertical Smoker & Grill

MODEL #DGSS1382VCS /  
DGSS1382VCS-D

Français p. 26

Español p. 51



ATTACH YOUR RECEIPT HERE

Serial Number \_\_\_\_\_ Purchase Date \_\_\_\_\_



**Questions, problems, missing parts?** Before returning to your retailer, call our customer service department at 1-877-447-4768, 8:30 a.m. – 4:30 p.m. CST, Monday – Friday or log on to [customerservice@ghpgroupinc.com](mailto:customerservice@ghpgroupinc.com).

## TABLE OF CONTENTS


---

Safety Information .....	2
Package Contents .....	4
Hardware Contents .....	5
Preparation .....	5
Assembly Instructions .....	6
Operation Instructions .....	18
Tips On Smoking .....	20
Care and Maintenance .....	22
Warranty .....	23
Replacement Parts List .....	24

## SAFETY INFORMATION

---

Please read and understand this entire manual before attempting to assemble, operate or install the product. If you have any questions regarding the product, call our customer service department at 1-877-447-4768, 8:30 a.m.- 4:30 p.m. CST, Monday - Friday or log on to [customerservice@ghpgroupinc.com](mailto:customerservice@ghpgroupinc.com).

-  Use caution when lifting and moving the unit to avoid back strain or back injury. Do not move the unit while it is in use.
- **DO NOT** operate the unit near or under flammable or combustible materials such as decks, porches or carports.
  - A minimum clearance to combustible construction is 36 in. (91.4 cm) from sides and back.
  - **DO NOT** operate the unit under overhead construction.
  - **DO NOT** use this smoker and grill as a heater.
  - Operate the unit on a stable, level, noncombustible surface such as asphalt, concrete or solid ground.
  - **DO NOT** operate the unit on flammable material such as carpet or wood deck.
  - Use caution when assembling and operating this unit to avoid cuts and scrapes from edges.

## SAFETY INFORMATION

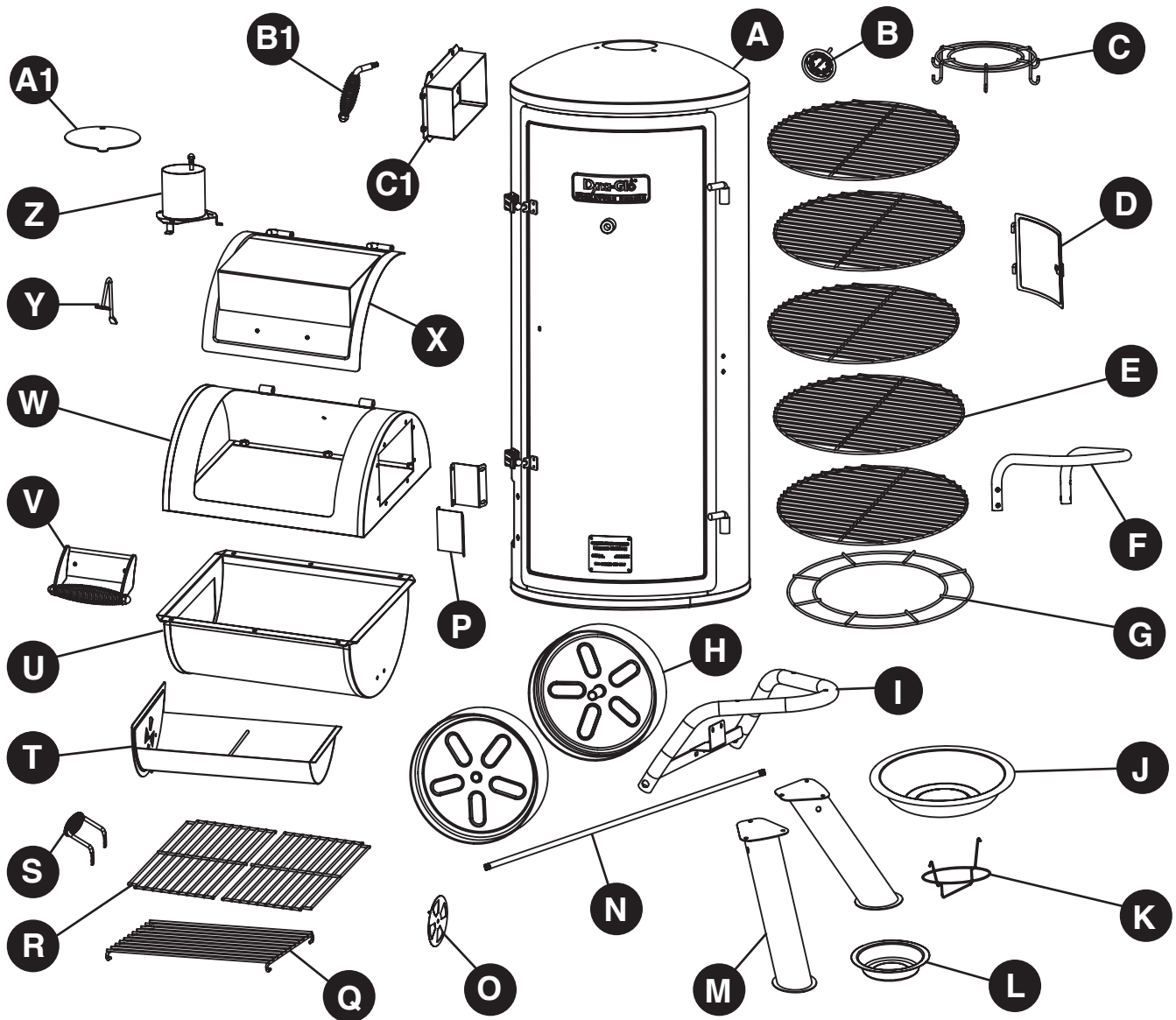
---

- **DO NOT** use this product in a manner other than its intended purpose. It is NOT intended for commercial use. It is NOT intended to be installed or used in or on a recreational vehicle and/or boats.
- **DO NOT** store this unit near gasoline or other combustible liquids or where other combustible vapors may be present.
- **DO NOT** use or store or operate this unit in an area accessible to children or pets. Store this unit in a dry protected location.
- **DO NOT** leave the unit unattended while in use.
- **DO NOT** leave hot ashes unattended, until the unit cools completely.
- **DO NOT** move the unit while in use, or while ashes are still hot. Allow the unit to cool completely before moving or storing.
- **NEVER** use gasoline, kerosene, Zippo/Ronson lighter fluid, or other highly volatile fluids as a starter.
- Always cook your food on the grate after the flame is burned out.
- Dispose of cold ashes by wrapping them in heavy-duty aluminum foil and placing in a noncombustible container. Make sure that there are no other combustible materials in or near the container.
- If you must dispose of ashes in less time than it takes for the ashes to completely cool down, remove the ashes from the unit using heat-resistant gloves along with long metal tongs or fireplace shovel. Place the coals in aluminum foil and soak them completely with water before disposing of them in a noncombustible container.
- Allow the unit to cool completely before conducting any routine cleaning or maintenance.
- This product will be hot during and after use. Use insulated oven mitts, or gloves, for protection from hot surfaces or splatter from cooking liquids.
- Use caution when opening the primary door and offset lid of the unit while in operation. Keep hands, face and body safe from hot steam or flare-ups. **DO NOT** inhale smoke.
- **DO NOT** wear loose clothing while operating the unit. Tie back long hair while operating the unit.
- **ALWAYS** wear shoes that fully cover your feet while operating the unit.
- **NEVER** use glassware, plastic or ceramic cookware on or in the unit. Use metallic cookware only.
- Use of accessories not intended for this unit is not recommended and may lead to injury or property damage.
- Read and follow all warnings and instructions before assembling and using the smoker and grill.

### **CALIFORNIA PROPOSITION 65**

Fuels used in wood and charcoal burning appliances and the products of combustion of such fuels contain chemicals known to the State of California to cause cancer, birth defects or other reproductive harm. This product contains chemicals, including lead and lead compounds, known to the State of California to cause cancer, birth defects or other reproductive harm. ***Wash hands after handling.***

# PACKAGE CONTENTS



PART	DESCRIPTION	QUANTITY
A	Smoker body	1
B	Temperature gauge with nut	1
C	Sausage hooks	1
D	Side access door	1
E	Cooking grate - smoker body	5
F	Side handle - smoker body	1
G	Water bowl support	1
H	Wheel - left / right	2
I	Left leg assembly	1
J	Water bowl	1
K	Grease cup support	1
L	Grease cup	1
M	Right leg - front / rear	2
N	Wheel axle	1

PART	DESCRIPTION	QUANTITY
O	Offset damper plate	1
P	Offset coupling bracket	2
Q	Charcoal grate	1
R	Cooking grate - offset	2
S	Side handle - access tray	1
T	Access tray	1
U	Offset bottom section	1
V	Offset lid handle	1
W	Offset top section	1
X	Offset lid	1
Y	Offset lid bracket	1
Z	Smoke stack	1
A1	Smoke stack damper	1
B1	Door handle assembly	1
C1	Offset firebox coupling	1

## HARDWARE CONTENTS

---

AA



M6 x 30  
Bolt

Qty. 4

BB



M6 x 12  
Bolt

Qty. 33

CC



M6 x 45  
Bolt

Qty. 3

DD



M6 Nut

Qty. 9

EE



M12 Nut

Qty. 2

FF



M6 Lock Nut

Qty. 1

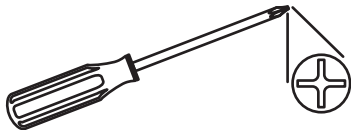
## PREPARATION

---

Before beginning assembly of product, make sure all parts are present. Compare parts with package contents list and hardware contents above. If any part is missing or damaged, do not attempt to assemble the product. Contact customer service for replacement parts.

**Estimated Assembly Time: 30 minutes**

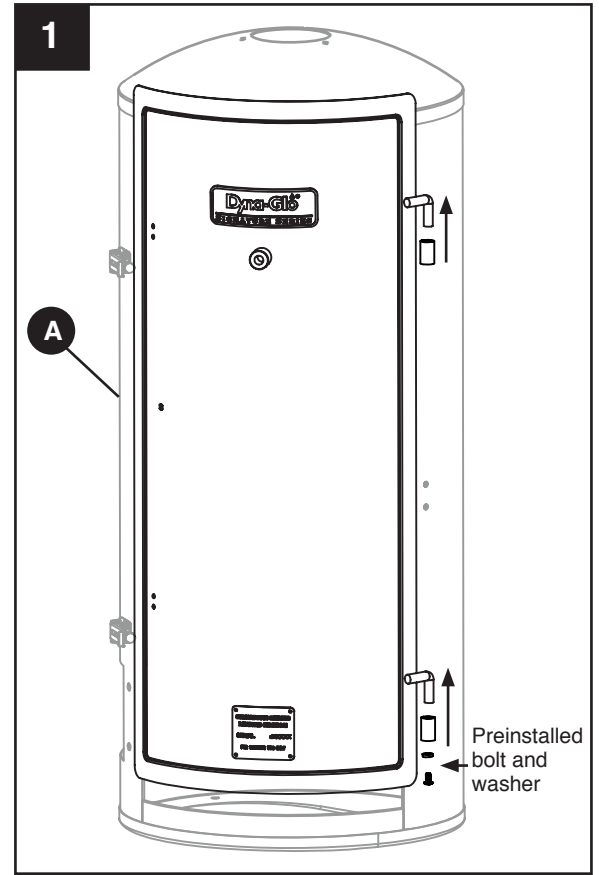
Tools Required for Assembly (not included): Phillips Screwdriver, Adjustable Wrench



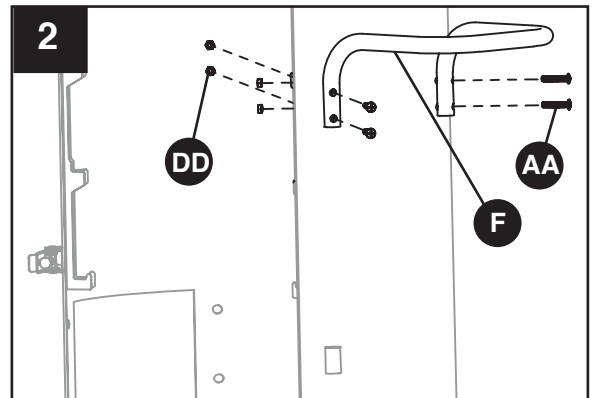
## ASSEMBLY INSTRUCTIONS

**⚠ CAUTION: This unit is HEAVY! Do not attempt to stand the unit upright without assistance!**



1. Remove the preinstalled bolt and washer from the bottom door hinge on the smoker body (A). Unlatch the smoker door and remove the door by pulling up from hinges on smoker body (A).



2. Attach the side handle (F) using four M6 x 30 bolts (AA) and four M6 nuts (DD).



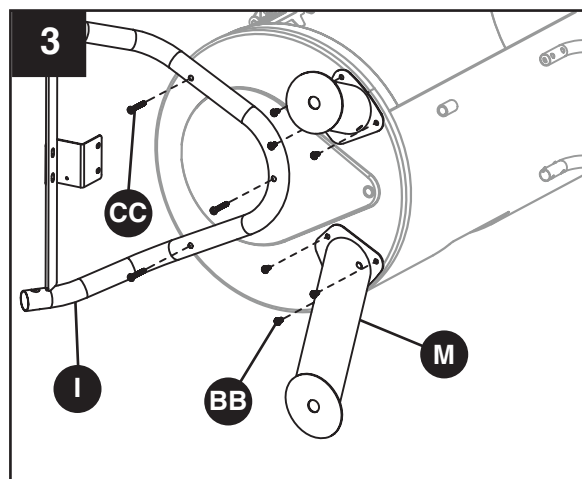
### Hardware Used

<b>AA</b>	M6 x 30mm Bolt		x 4
<b>DD</b>	M6 Nut		x 4

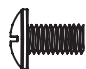

## ASSEMBLY INSTRUCTIONS

3. **⚠ CAUTION: This unit is HEAVY! Do not attempt to lay the unit on its side without assistance!**

Attach the right front and right rear legs (M) using three M6 x 12 bolts (BB) per leg. Attach the left leg assembly (I) using three M6 x 45 bolts (CC).




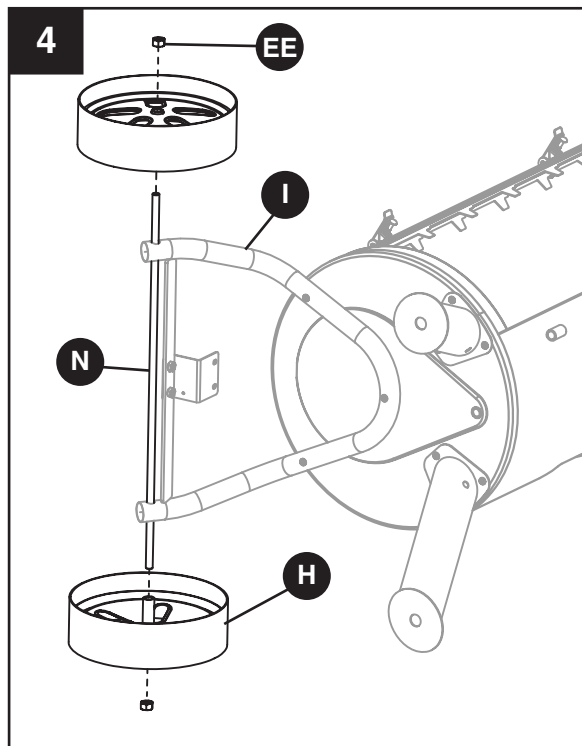
### Hardware Used

<b>BB</b>	M6 x 12mm Bolt		x 6
<b>CC</b>	M6 x 45mm Bolt		x 3

4. Insert the wheel axle (N) through the holes on the left leg assembly (I) and attach the left and right wheel (H) using one M12 nut (EE) per side.

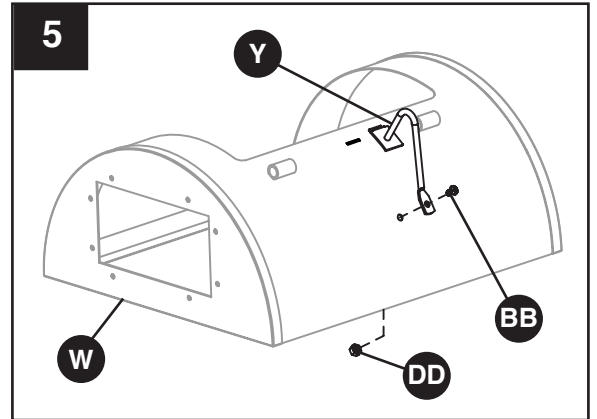
### Hardware Used

<b>EE</b>	M12 Nut		x 2
-----------	---------	---	-----





## ASSEMBLY INSTRUCTIONS

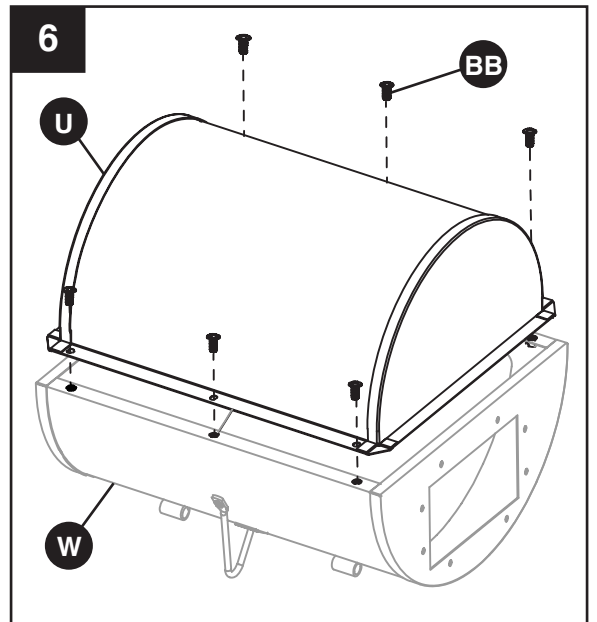
5. Insert the edge of the offset lid bracket (Y) into the slotted opening on the offset top section (W). Attach using one M6 x 12 bolt (BB) and one M6 nut (DD).




### Hardware Used

<b>BB</b>	M6 x 12mm Bolt		x 1
<b>DD</b>	M6 Nut		x 1

6. Attach the offset bottom section (U) to the top section (W) using six M6 x 12 bolts (BB).



### Hardware Used


<b>BB</b>	M6 x 12mm Bolt		x 6
-----------	----------------	---	-----

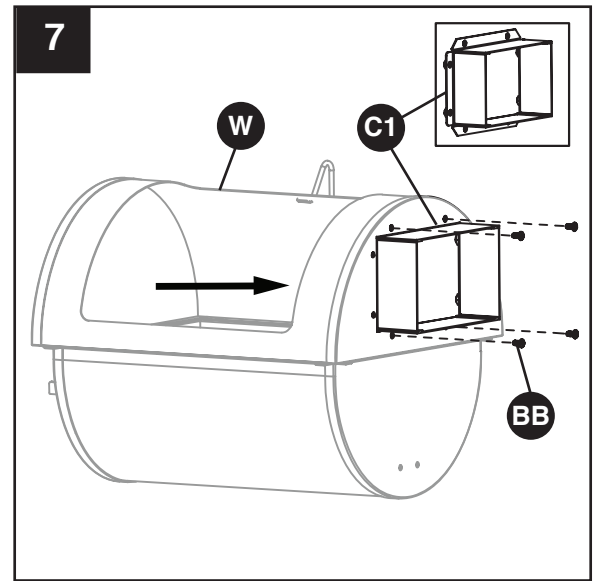


## ASSEMBLY INSTRUCTIONS

7. Insert the offset firebox coupling (C1) through the opening on the top section of the offset (W) and attach with four M6 x 12 bolts (BB).


### Hardware Used

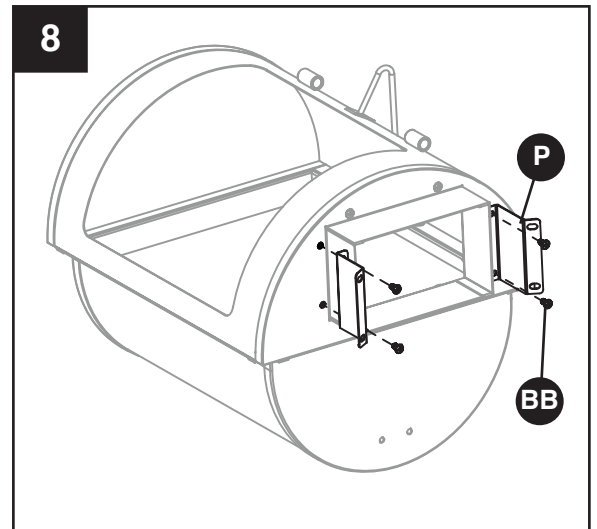
**BB** M6 x 12mm Bolt  x 4



8. Attach the offset coupling brackets (P) using four M6 x 12 bolts (BB).

### Hardware Used

**BB** M6 x 12mm Bolt  x 4




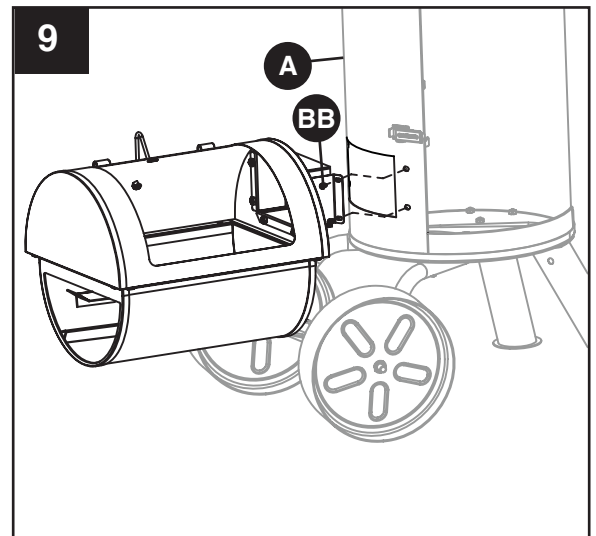
## ASSEMBLY INSTRUCTIONS

9. **⚠ CAUTION: This unit is HEAVY! Do not attempt to stand the unit upright without assistance!**

Attach the offset firebox to the smoker body (A) using four M6 x 12 bolts (BB).


### Hardware Used

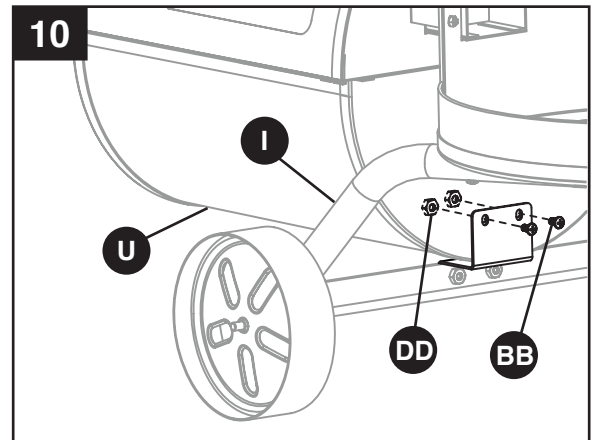
<b>BB</b>	M6 x 12mm Bolt		x 4
-----------	----------------	---	-----



10. Attach the preinstalled offset support bracket on the left leg assembly (I) to the bottom section of the offset (U) using two M6 x 12 bolts (BB) and two M6 nuts (DD).

### Hardware Used

<b>BB</b>	M6 x 12mm Bolt		x 2
<b>DD</b>	M6 Nut		x 2

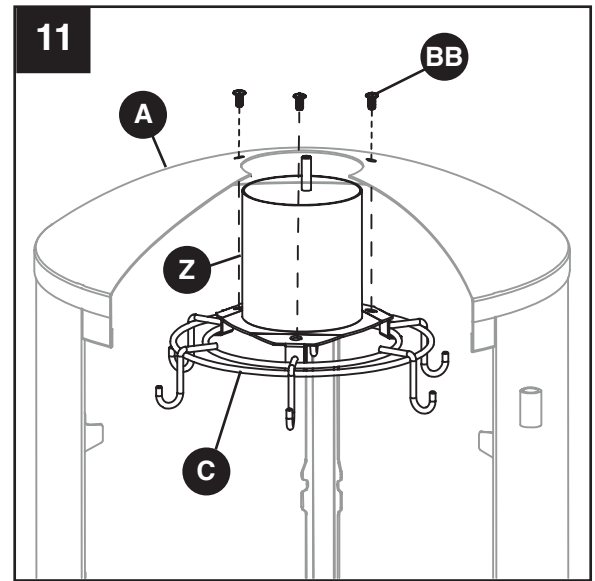


## ASSEMBLY INSTRUCTIONS

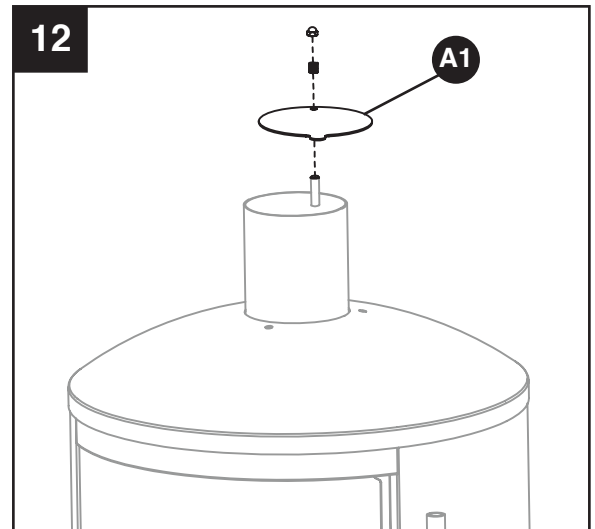
11. Rest the inner ring of the sausage hooks (C) on the bottom brackets of the smoke stack (Z). Insert the smoke stack (Z) up through the opening at the top of the smoker body (A) and secure with three M6 x 12 bolts (BB).

### Hardware Used

**BB** M6 x 12mm Bolt x 3

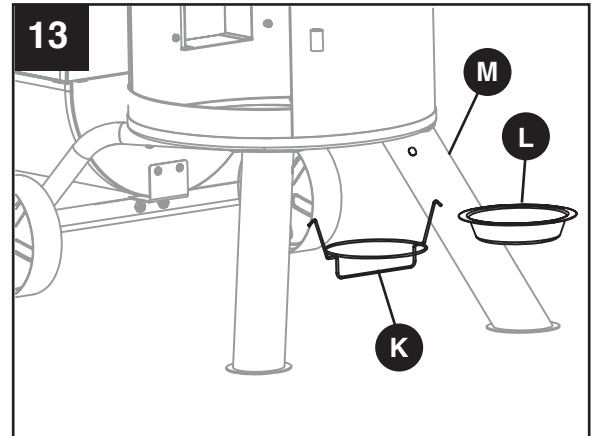


12. Attach the smoke stack damper (A1) using the preinstalled spring and nut.

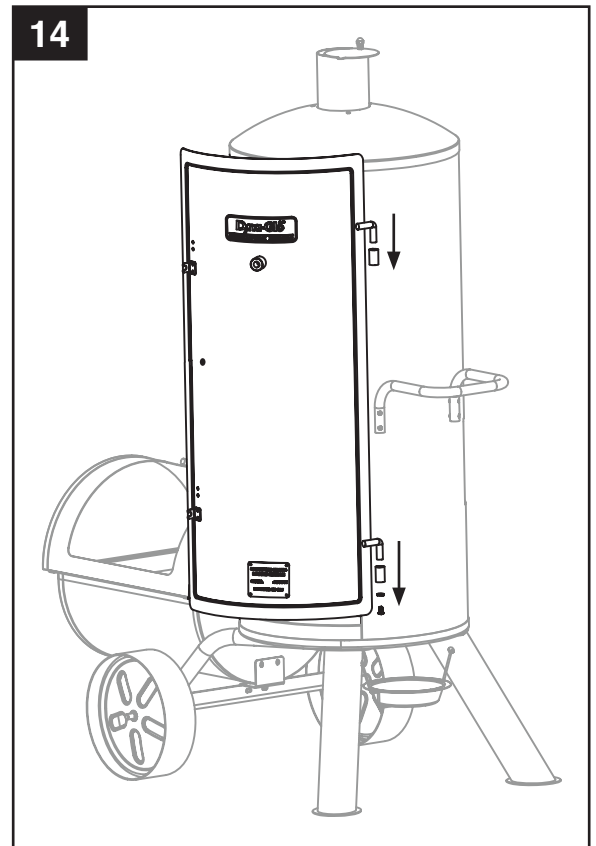


## ASSEMBLY INSTRUCTIONS

13. Hang the grease cup support (K) from the holes on each of the right legs (M).  
Place the grease cup (L) in the support (K).

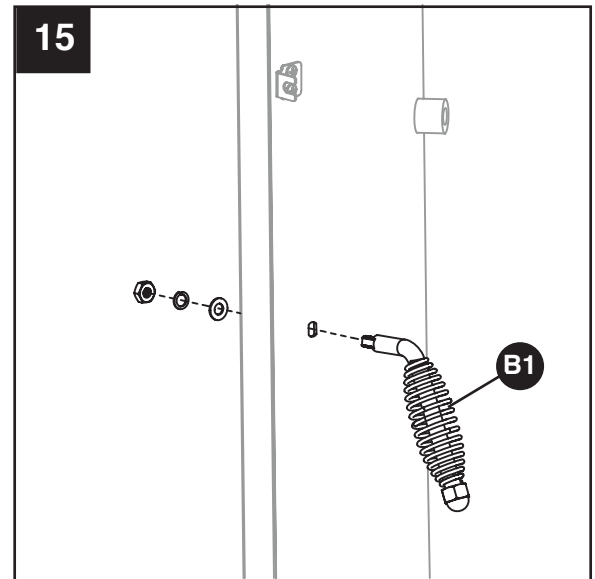


14. Install the smoker body door and reattach the preinstalled bolt and washer.

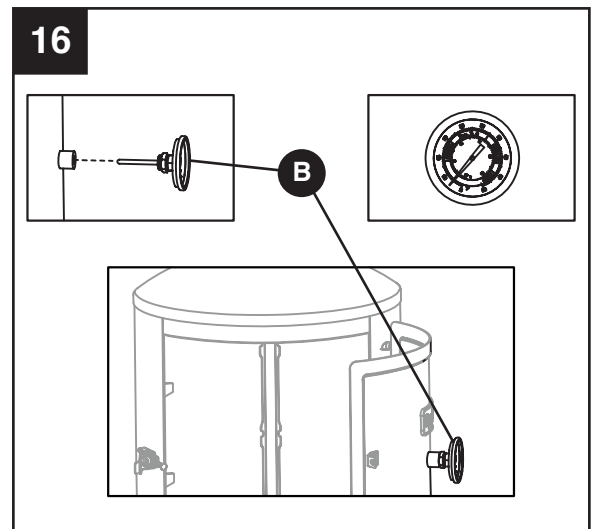


## ASSEMBLY INSTRUCTIONS

15. Attach the door handle assembly (B1) using the pre-installed flat washer, spring washer and M8 nut.

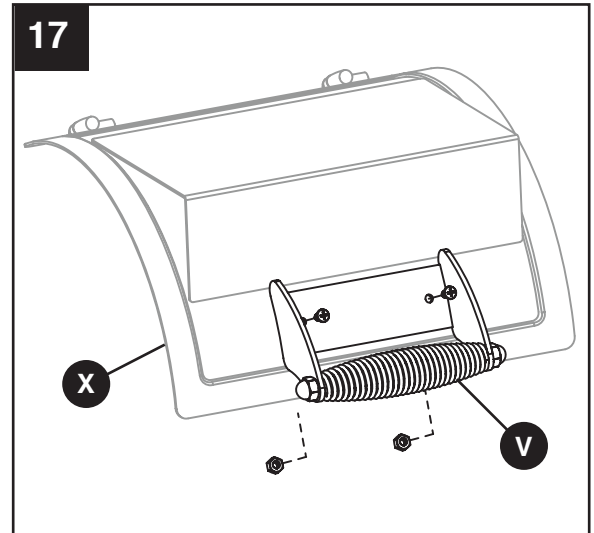


16. Attach the temperature gauge (B) by inserting the probe through the threaded opening on the smoker body door and turning clockwise.
- NOTE:** The alignment of the temperature gauge can be adjusted by turning the preinstalled nut clockwise (or counter-clockwise) prior to installing.

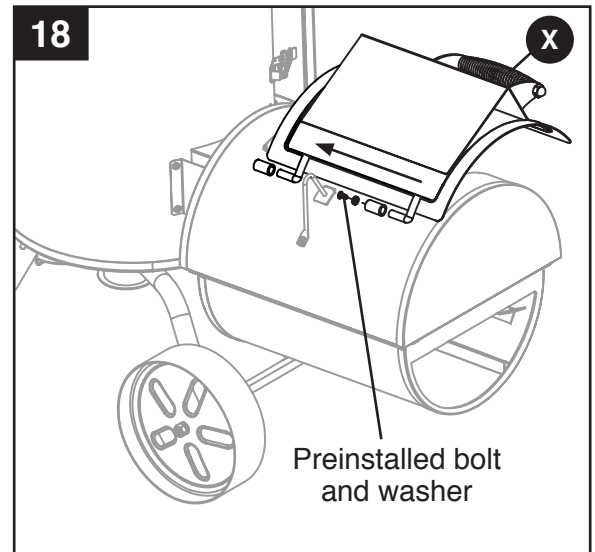


## ASSEMBLY INSTRUCTIONS

17. Attach the offset lid handle (V) to the offset lid (X) using the preinstalled bolts and nuts.

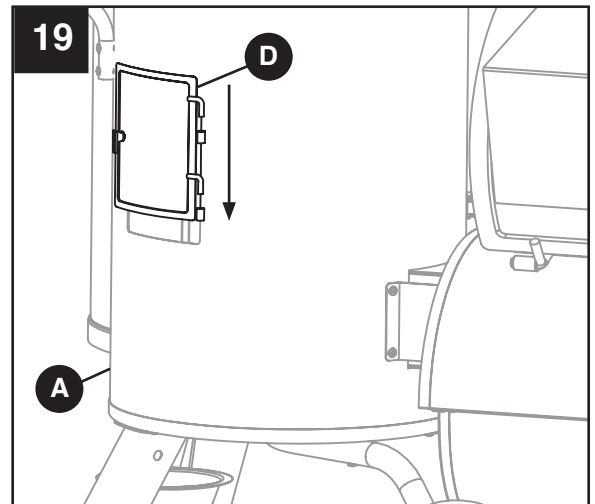


18. Attach the offset lid (X) to the offset firebox using the preinstalled bolt and washer.





## ASSEMBLY INSTRUCTIONS

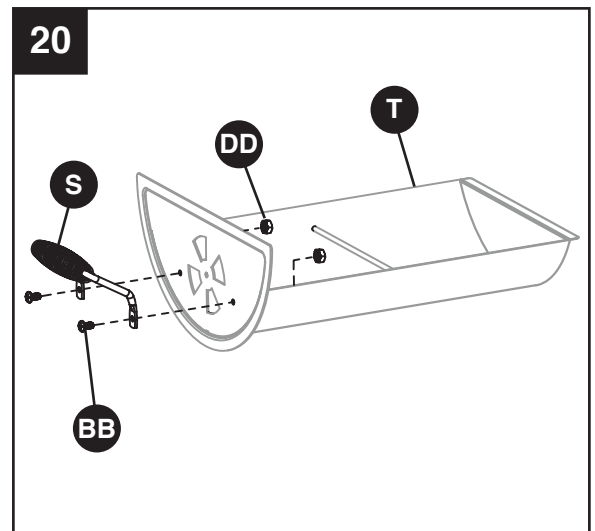
19. Install the side access door (D) onto the smoker body (A).



20. Attach the side handle (S) to the access tray (T) using two M6 x 12mm bolts (BB) and two M6 nuts (DD).

### Hardware Used



<b>BB</b>	M6 x 12mm Bolt		x 2
<b>DD</b>	M6 Nut		x 2

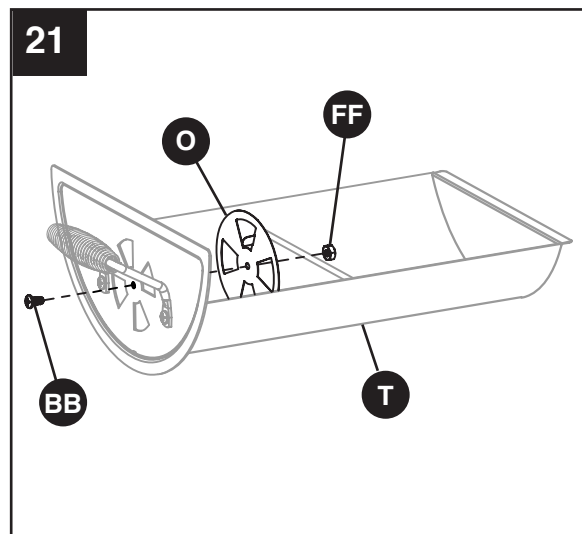


## ASSEMBLY INSTRUCTIONS

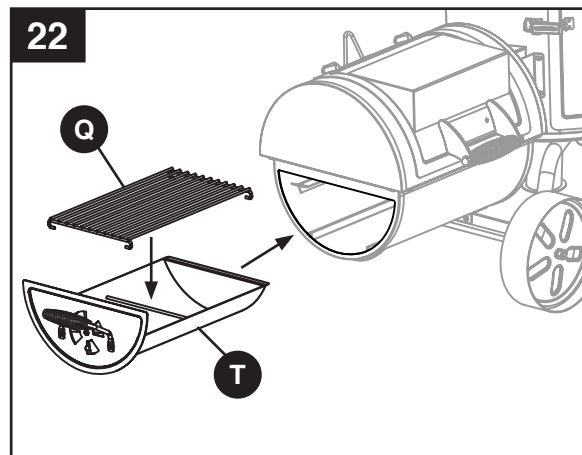
21. Attach the offset damper plate (O) to the access tray (T) using one M6 x 12 bolt (BB) and one M6 lock nut (FF).

### Hardware Used

<b>BB</b>	M6 x 12mm Bolt		x 1
<b>FF</b>	M6 Lock Nut		x 1



22. Place the charcoal grate (Q) inside the access tray (T) and slide the tray into the offset smoker box.



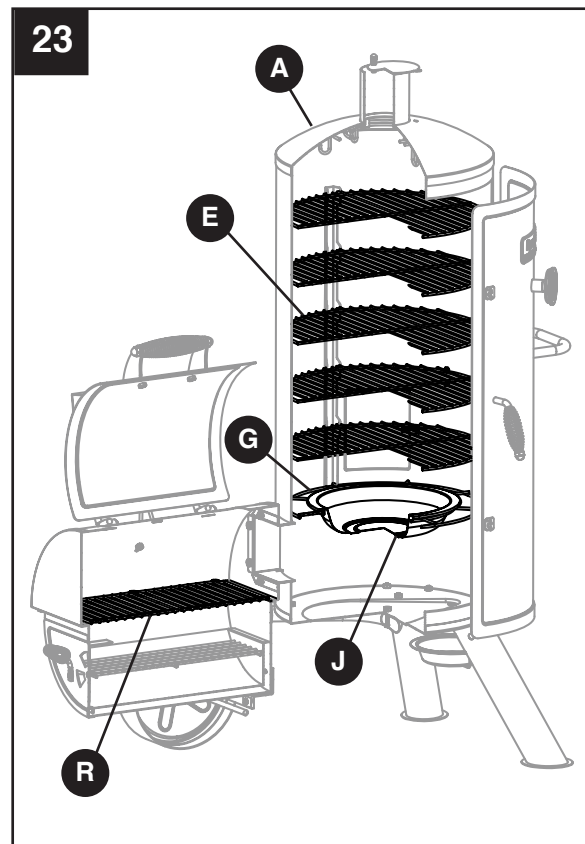


## ASSEMBLY INSTRUCTIONS

### 23. Installing the Cooking Grates & Water Bowl

Install the offset cooking grates (R) into the offset firebox. Place the water bowl support (G) on the bottom bracket inside the smoker body (A) and place the water bowl (J) on the water bowl support (G). Place the cooking grates (E) on the brackets inside the smoker body (A).

Tip: Place all 5 cooking grates (E) inside the smoker body (A) and start from bottom grate supports.



## OPERATING INSTRUCTIONS

---

### BEFORE FIRST USE

Remove all hangings or plastic straps, if present.

It is important to "season" the smoker & grill, before cooking food. Seasoning seals the paint and interior to enhance flavoring, durability and overall performance.

To season your smoker and grill, simply use it as you normally would without adding food.. You will need to follow all of the lighting and operating procedures in the next few sections of this manual.

Using your desired flavoring woods and marinades, burn your smoker at low temperature (around 175°F/79.4°C) for 45 – 60 minutes. Let the smoker cool and clean out the wood chips and charcoal.

Once seasoning is complete, the smoker body and offset interior will have a durable, seasoned coating.

### Lighting Instructions (For Smoking or Charcoal Grilling)

**DO NOT USE PRETREATED, MATCH-LIGHT CHARCOAL with this smoker.** Only use standard, untreated briquettes or lump charcoal and **ONLY** use charcoal lighting fluid approved for lighting charcoal. Do not use lighter fluid, paint thinners, gasoline, kerosene, alcohol or other flammable material for lighting charcoal. **Damage to the unit may occur with the use of match-light charcoal.**

**Start with at least 4 lbs. (1.8 kgs.) of charcoal (75 standard briquettes).**

Make adjustments as needed when cooking in colder climates or during high winds, and/or when fair amounts of precipitation are present.

#### Step 1

Note: Please refer to the manufacturer's recommended amount of charcoal lighter fluid before applying fluid to the briquettes. Charcoal can be added to the offset firebox by removing the offset cooking grates or pulling out the side access tray. Pile the charcoal towards the middle of the offset charcoal grate. Briquettes should be packed closely together for maximum burn efficiency. Saturate charcoal with the amount of charcoal lighter fluid as recommended by the charcoal lighter fluid manufacturer. After soaking the charcoal, place the charcoal lighter fluid at a safe distance away from the smoker. Allow the charcoal lighter fluid to soak into the charcoal for 3 minutes before lighting.

#### Step 2

With **primary firebox door and offset lid open**, stand back and carefully light charcoal and allow to burn until covered with a light ash (approximately 20 minutes). Charcoal lighter fluid must be allowed to completely burn off prior to closing the primary firebox door and offset lid. (Fumes will tend to collect in both fireboxes, when the primary door and offset lid are closed).

## OPERATING INSTRUCTIONS

---

### Lighting Instructions (Continued)

#### Step 3

After 20-25 minutes, charcoal should be ready for cooking and/or adding woodchips. Refer to the next section before adding wood chips to pre-lit charcoal.

**⚠ DANGER:** Closing the smoker body door and offset lid during the lighting procedure could trap fumes from the charcoal lighting fluid in the smoker boxes and may result in a flash-fire or explosion when door is opened, resulting in property loss, personal injury or death. Never attempt to add more lighting fluid to the charcoal once it has been lit.

### ADDING WOOD CHIPS (BEFORE AND DURING COOKING)

**⚠ WARNING:** Use caution since flames can flare-up when fresh air suddenly comes in contact with fire. When opening the door, keep hands, face and body a safe distance from hot steam and flame flare-ups.

#### Presoaked Wood Chips

Soak the desired amount of chips in water for 30 minutes. Wrap the wood chips in aluminum foil and poke holes on the top of the foil wrapping. **FOLLOW THE STEPS BELOW BEFORE ADDING PRESOAKED WOOD CHIPS.**

#### Dry Wood Chips

Dry wood chips can be placed directly onto the pre-lit charcoal with or without aluminum foil. **FOLLOW THE STEPS BELOW BEFORE ADDING DRY WOOD CHIPS.**

The amount and type of wood used is entirely dependent on the desired amount of flavor. Refer to the chart on the next page for tips on pairing wood chips with various food types.

#### Step 1

Stand back and carefully open the offset lid allowing heat and steam to escape away from your face. Use caution since flames can flare-up when fresh air suddenly comes in contact with fire. Wood can be added by either removing the cooking grates with flame retardant oven mitts/gloves OR using the side pull out tray.

#### Step 2

Wearing flame retardant oven mitts/gloves, use long metal cooking tongs to lightly brush aside ashes on hot coals. Use the long metal cooking tongs to add wood chips (and/or charcoal) to directly onto the charcoal, being careful not to stir-up ashes and sparks.

**⚠ WARNING:** Never add charcoal lighting fluid to hot or even warm coals as flashback may occur causing severe burns.

#### Step 3

Allow the ashes to completely cool before reusing or cleaning the smoker.

## TIPS ON SMOKING

Smoking foods is different from grilling foods. Smoking is typically done slowly and at a lower temperature than grilling. The smoke produced by the wood infuses itself into the meat giving it that great smoked flavor. Grilling is a much quicker cooking process using higher temperatures.

- Small wood chips work best inside the wood chip tray.
- Use dry hardwoods such as hickory, pecan, apple, cherry or mesquite.
- To produce more smoke and prevent fast burning, pre-soak the wood chips in a separate bowl of water for at least 30 minutes, or wrap the chips in perforated aluminum foil.
- Most smoke flavoring occurs within the first hour of cooking. **Adding wood chips after the first hour is typically not necessary unless extra smoke flavoring is desired.**

Here's a list of the most popular smoking woods and a little information about each.

Type of Wood	Suggested Food	Comments
Apple	All meats	Mild and sweet flavor with a slight hint of fruity flavor. Each species of Apple wood should offer a slightly different flavor. Apple smoke produces an attractive browning effect.
Almond	All meats	Produces a sweet smoke with a natural nutty flavor.
Ash	Fish and red meat	Very light flavor.
Citrus	Pork and chicken	Lemon and orange wood produce light but fruity flavor.
Cherry	Pork and beef	Light and fruity flavor.
Fruitwood	Pork, poultry and fish	Wood such as Peach, Pear and Plum produce a mild but sweet smoke with a hint of fruity flavor.
Grapevine	Poultry, game and lamb	Grapevine wood produces a lot of smoke. A little wood goes a long way. It produces a tart flavor that has a hint of fruit.
Hickory	Pork and beef	Hickory is arguably the favorite wood for smoking. Hickory produces a very strong flavor so we recommend starting slow with this wood.
Maple	Pork and poultry	Light and sweet.
Mesquite	Beef, chicken and fish	This wood burns very hot so be aware. Much like Hickory, Mesquite is very popular and produces a strong flavor.
Oak	Red meats, game, ribs and fish	Another wood that produces a heavy smoke. Start slow with this wood.
Pecan	Ribs and red meat	Produces a light smoke that offers a sweet and nutty flavor.

# SUGGESTED SMOKING AND MEAT TEMPERATURES

## Smoking Temperatures

Accurate smoking temperatures are critical for safely cooking food when meat probes are not available. Please understand that using the factory installed temperature gauge is an acceptable tool for smoking food; but it's not always the ideal means of measuring the most accurate smoking temperature because internal smoker temperatures can vary between the top and bottom cooking grates. Also keep in mind that the probes used on most gauges are designed to measure the temperature at the tip of the temperature probe and not the overall temperature of the smoker.

Alternatively, it is recommended that users either purchase an aftermarket, oven-ready temperature gauge, or a meat thermometer. Meat thermometers are the most effective way of determining when the food is cooked to the minimum temperature required for safe consumption.

Please refer to the chart below for cooking temps.

## SUGGESTED SMOKING TEMPERATURES

	Suggested Smoking Temperatures	Safe Minimum Food Temperatures
<b>Meat, Poultry, Fish</b>		
<b>Beef, veal and lamb (pieces and whole cuts)</b>		
Medium-rare	225°F (107.2°C)	145°F (63°C)
Medium	225°F (107.2°C)	160°F (71°C)
Well done	225°F (107.2°C)	170°F (77°C)
<b>Pork (ham, pork loin, ribs)</b>		
Pork (pieces and whole cuts)	225 - 240°F (107.2 - 115.6°C)	160°F (71°C)
<b>Ground meat and meat mixtures (burgers, sausages, meatballs, meatloaf, casseroles and mechanically tenderized beef)</b>		
Beef, veal (including mechanically tenderized), lamb and pork	250 - 300°F (121 - 149°C)	160°F (71°C)
Poultry (chicken & turkey)	250 - 300°F	165°F (74°C)
<b>Poultry (chicken, turkey, duck)</b>		
Pieces	250°F (121°C)	165°F (74°C)
Whole	240°F (115.6°C)	185°F (85°C)
<b>Seafood</b>		
Fish	225 - 240°F (107.2 - 115.6°C)	158°F (70°C)
Shellfish (shrimp, lobster, crab, scallops, clams, mussels and oysters)	225 - 240°F (107.2 - 115.6°C)	165°F (74°C)
Since it is difficult to use a food thermometer to check the temperature of shellfish, discard any that do not open when cooked.		

	Suggested Smoking Temperatures	Safe Minimum Food Temperatures
<b>Game</b>		
<b>Chops, steaks and roasts (deer, elk, moose, caribou/reindeer, antelope and pronghorn)</b>		
Well done	225°F (107.2°C)	170°F (77°C)
<b>Large Game</b>		
Bear, bison, musk ox walrus, etc.	250 - 300°F (121 - 149°C)	165°F (74°C)
<b>Small game</b>		
Rabbit, muskrat, beaver, etc.	225 - 240°F (107.2 - 115.6°C)	165°F (74°C)
<b>Ground Meat</b>		
Ground meat and meat mixtures	250 - 300°F (121 - 149°C)	165°F (74°C)
Ground venison and sausage	250 - 300°F (121 - 149°C)	165°F (74°C)
<b>Game birds/waterfowl (wild turkey, duck, goose, partridge and pheasant)</b>		
Whole	250°F (121°C)	180°F (82°C)
Breasts and roasts	250°F (121°C)	165°F (74°C)
Thighs, wings	250°F (121°C)	165°F (74°C)
Stuffing (cooked alone or in a bird)	250°F (121°C)	165°F (74°C)

## CARE AND MAINTENANCE

---

### AFTER USE SAFETY AND MAINTENANCE

#### **WARNING**

- Use caution when lifting and moving the smoker to avoid strain injuries. Two people are recommended to lift or move the smoker.
- **DO NOT** store the smoker near gasoline or other combustible liquids or where combustible vapors may be present. Keep the area around the smoker clear and free of combustible materials and vapors.
- **DO NOT** store this smoker in an area accessible to children or pets. Store the smoker in a dry, protected location.
- **DO NOT** allow anyone to conduct activities around the smoker following use until it has cooled. It is hot during operation and remains hot for a period of time following use.
- **DO NOT** leave hot ashes unattended until the smoker cools completely.
- The smoker becomes extremely hot – allow the smoker to cool completely before handling. Allow the smoker to cool before removing and cleaning the grease pan.
- Dispose of cold ashes by wrapping them in heavy-duty aluminum foil and putting them in a noncombustible container.
- If you must dispose of the ashes in less time than it takes for them to completely cool, remove the side access tray using heat-resistant gloves and place the ashes in aluminum foil. Completely soak the ashes with water before disposing of them in a noncombustible container.

#### **CAUTION: All care and maintenance procedures are to be performed while the smoker is completely cooled.**

Clean the cooking grates with hot, soapy water. Rinse and dry thoroughly. You may prefer to coat the cooking grates lightly with cooking oil or cooking spray.

To clean the inside and outside of the smoker cabinet, simply use a damp cloth. Spray-washing with a water hose is not recommended. Moisture should be wiped away and not allowed to stand inside or on top of the smoker. Once cleaned, you may prefer to lightly coat the interior of the smoker cabinet with cooking oil or cooking spray.

If rust is present on the exterior surface of the smoker, clean the area with steel wool or emery cloth and use heavy-duty, heat-resistant paint.

NEVER apply additional paint to the interior of the smoker. If rust is present on the interior of the smoker, clean it thoroughly with steel wool or emery cloth and lightly coat the area with cooking oil or cooking spray to help minimize recurring rust.

To protect your smoker from weather conditions, always keep it covered while not in use.

## WARRANTY

---

This charcoal offset vertical smoker and grill is warranted against broken or damaged parts at the time of purchase. All parts carry a one (1) year limited warranty. Paint is warranted to be free of defects for 90 days except for rust, which may appear after repeated use.

This warranty does not cover damage or issues related to neglect, abuse or modifications to the appliance. Repair labor is not covered.

All parts that meet the warranty requirements will be shipped at no charge via the discretion of GHP Group Inc. (ground shipments, US Mail or Parcel Post ONLY). Any special handling charges (i.e. Second Day, Overnight, etc.) will be the responsibility of the consumer.

All warranty claims apply only to the original purchaser and require a proof of purchase verifying purchase date. Do not return parts to GHP address without first obtaining a return authorization number from our customer service. This service is available by calling toll free 1-877-447-4768, 8:30 a.m. - 4:30 p.m. CST, Monday - Friday.

Some states do not allow the exclusion or limitation of incidental or consequential damages or limitations on how long an implied warranty lasts, so the above limitations or exclusions may not apply to you. This warranty gives you specific legal rights, and you may have other rights that vary from state to state.

GHP Group Inc.  
6440 W. Howard Street  
Niles, IL, USA  
60714-3302

Item name: Heavy-Duty Charcoal Offset Vertical Smoker  
Model #: DGSS1382VCS / DGSS1382VCS-D

## REPLACEMENT PARTS LIST

For replacement parts, call our customer service department at 1-877-447-4768, 8:30 a.m. - 4:30 p.m. CST, Monday - Friday or log on to customerservice@ghpgroupinc.com.

PART	DESCRIPTION	PART #
1	Smoker body (without door assembly, door latch, smoke stack or side handle)	70-01-526
2	Offset firebox coupling	70-01-527
3	Door handle assembly*	70-01-517
4	Smoke stack damper	70-01-522
5	Smoke stack*	70-01-521
6	Offset lid bracket	70-01-528
7	Offset lid	70-01-529
8	Offset top section (without lid & coupling)	70-01-530
9	Offset lid handle	70-01-531
10	Offset bottom section	70-01-532
11	Offset access tray	70-01-533
12	Offset tray handle	70-01-534
13	Offset cooking grate (1pc)	70-01-535
14	Offset charcoal grate	70-01-536
15	Offset coupling bracket (1pc)	70-01-537
16	Offset damper plate	70-01-538
17	Wheel - left / right (1pc)	70-01-516
18	Wheel axle	70-01-513

PART	DESCRIPTION	PART #
19	Right leg - front / rear (1pc)	70-01-579
20	Grease cup	70-01-539
21	Grease cup support	70-01-540
22	Water bowl	70-01-508
23	Left leg assembly	70-01-542
24	Offset support bracket	70-01-541
25	Water bowl support	70-01-507
26	Side handle - smoker body	70-01-520
27	Cooking grate - smoker body (1pc)	70-01-506
28	Side access door	70-01-543
29	Sausage hooks	70-01-505
30	Temperature gauge*	70-01-518
31	Door latch bracket	70-01-523
32	Door latch (1pc)	70-01-524
33	Smoker body door (without Dyna Glo badge, door latch or temperature gauge)	70-01-544
34	Dyna-Glo badge	70-01-525
n/a	Hardware pack	70-09-514
n/a	Instruction manual	70-10-583

\*Hardware included

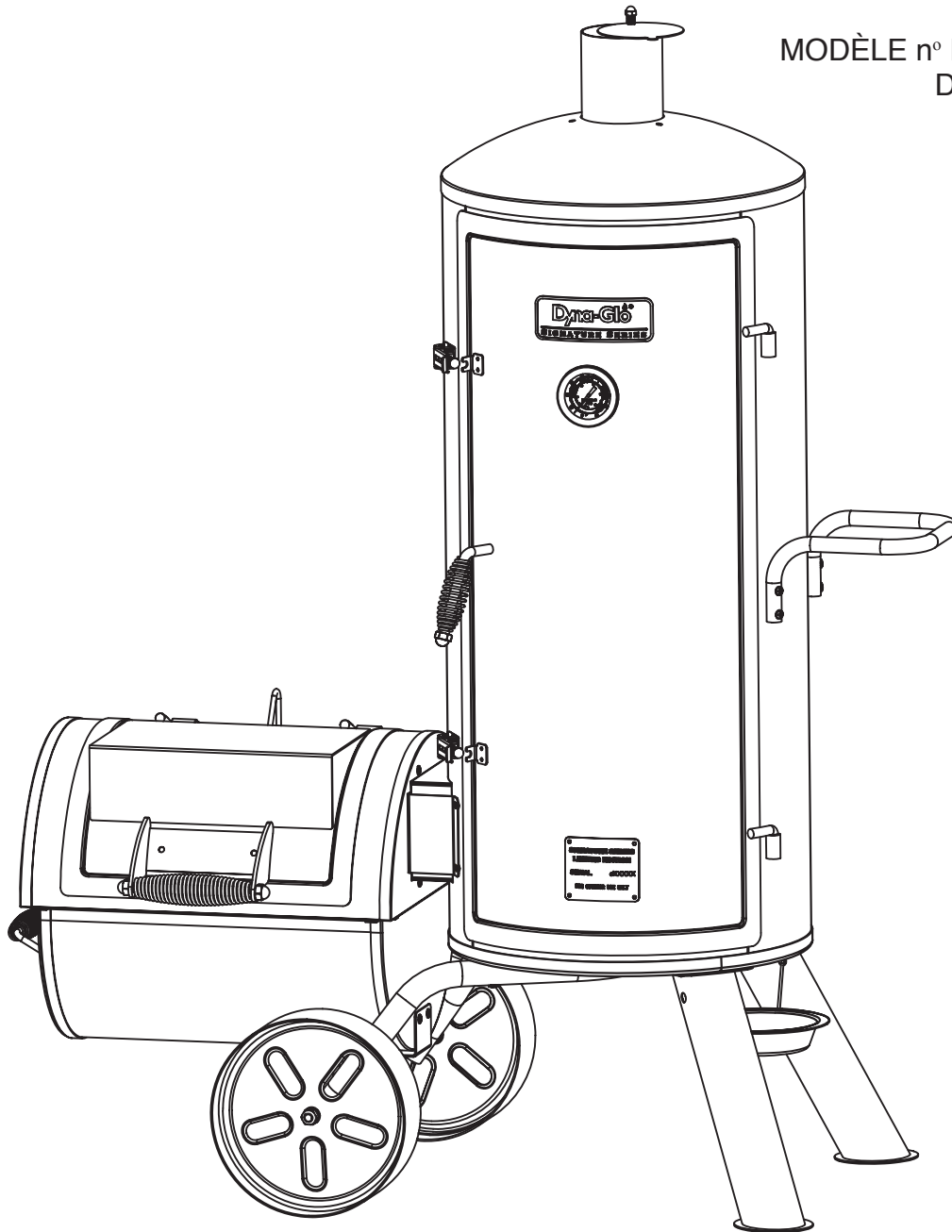






# Fumoir vertical à charbon haute-capacité et gril décalé

MODÈLE n° DGSS1382VCS /  
DGSS1382VCS-D



AGRAFEZ VOTRE FACTURE ICI

Numéro de série \_\_\_\_\_ Date d'achat \_\_\_\_\_



**Des questions, des problèmes, des pièces manquantes?** Avant de retourner l'article au détaillant, appelez notre service à la clientèle au 1 877 447-4768, entre 8 h 30 et 16 h 30 (HNC), du lundi au vendredi, ou écrivez à [customerservice@ghpgroupinc.com](mailto:customerservice@ghpgroupinc.com).

## TABLE DES MATIÈRES


---

Informations relatives à la sécurité .....	28
Contenu de l'emballage .....	30
Quincaillerie fournie .....	31
Préparation .....	31
Instructions d'assemblage .....	32
Instructions de fonctionnement .....	44
Conseils sur le fumage .....	46
Entretien et maintenance .....	48
Garantie .....	49
Liste des pièces de rechange .....	50

### **INFORMATIONS RELATIVES À LA SÉCURITÉ**

---

Veillez lire et comprendre le présent guide avant de tenter d'assembler, d'utiliser ou d'installer le produit. Si vous avez des questions concernant le produit, appelez notre service à la clientèle au 1 877 447-4768, entre 8 h 30 et 16 h 30 (HNC), du lundi au vendredi, ou écrivez à [customerservice@ghpgroupinc.com](mailto:customerservice@ghpgroupinc.com).

-  Faites preuve de prudence lorsque vous soulevez et déplacez l'appareil afin d'éviter les douleurs et les blessures au dos. Ne déplacez jamais l'appareil lorsqu'il est en fonction.
- **N'UTILISEZ PAS** l'appareil près de matériaux inflammables ou combustibles, comme une terrasse, un porche ou un abri à voitures, ou sous de tels matériaux.
- Le dégagement minimum entre l'appareil et les constructions combustibles, sur les côtés et à l'arrière, est de 91,4 cm (36 po).
- **N'UTILISEZ PAS** l'appareil sous des constructions.
- **N'UTILISEZ PAS** l'appareil comme réchaud.
- Utilisez l'appareil sur une surface stable, plane et ininflammable comme de l'asphalte, du béton ou tout autre sol solide.
- **N'UTILISEZ PAS** l'appareil sur des matériaux inflammables comme un tapis ou une terrasse en bois.
- Faites preuve de prudence lorsque vous assemblez et utilisez l'appareil pour éviter de vous couper ou de vous écorcher sur les rebords de l'appareil ou de ses pièces.
- **N'UTILISEZ PAS** le produit de quelque manière autre que la fonction pour laquelle il a été prévu. Il n'est PAS destiné à un usage commercial. Il n'est pas conçu pour une installation ou un usage à bord d'un véhicule récréatif ou d'un bateau.
- **N'ENTREPOSEZ PAS** l'appareil près d'essence ou d'autres liquides combustibles, ni dans des endroits où des vapeurs combustibles peuvent être présentes.



## INFORMATIONS RELATIVES À LA SÉCURITÉ

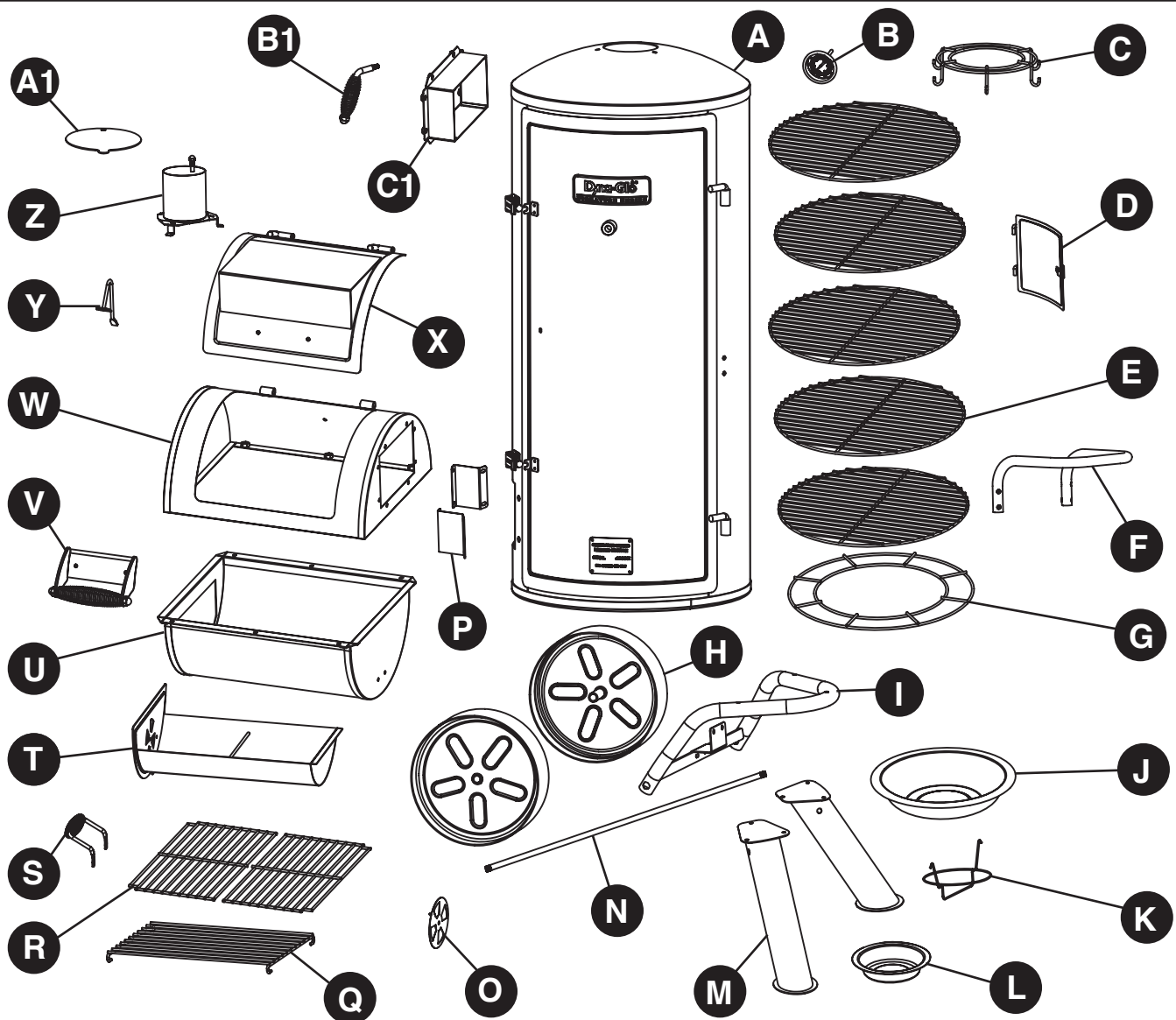
---

- **N'ENTREPOSEZ ET N'UTILISEZ PAS** le produit dans un endroit accessible aux enfants ou aux animaux. Rangez-le dans un endroit sec et protégé.
- **NE LAISSEZ PAS** l'appareil sans surveillance pendant qu'il est en fonction.
- **NE LAISSEZ PAS** de cendres chaudes sans surveillance tant que le fumoir n'a pas complètement refroidi.
- **NE DÉPLACEZ PAS** l'appareil lorsqu'il est en fonction ou que les cendres sont encore chaudes. Laissez-le refroidir complètement avant de le déplacer ou de le ranger.
- **N'UTILISEZ JAMAIS** d'essence, de kérosène, d'essence à briquet Zippo/Ronson ou d'autres fluides très volatils comme allume-feu.
- Faites toujours cuire les aliments sur la grille une fois que les flammes se sont éteintes d'elles-mêmes.
- Jetez les cendres froides en les enveloppant dans du papier d'aluminium très résistant et en les plaçant dans un contenant incombustible. Assurez-vous qu'il n'y a aucune matière combustible dans le contenant ou près de celui-ci.
- Si vous devez jeter les cendres avant qu'elles n'aient complètement refroidi, retirez-les de l'appareil à l'aide de gants résistants à la chaleur et de longues pinces en métal ou d'une pelle à cendres. Placez les braises dans du papier d'aluminium et trempez-les complètement dans l'eau avant de les jeter dans un contenant incombustible.
- Laissez l'appareil refroidir complètement avant de procéder au nettoyage et à l'entretien habituels de l'appareil.
- L'appareil sera brûlant pendant et après l'utilisation. Utilisez des mitaines de four ou des gants isolants pour vous protéger des surfaces brûlantes et des éclaboussures de liquides de cuisson chauds.
- Faites preuve de prudence lorsque vous ouvrez la porte du fumoir pendant qu'il est en fonction. Gardez vos mains, votre visage et votre corps loin de la vapeur chaude et des flammes.
- **N'INHALEZ PAS** de fumée.
- **NE PORTEZ PAS** de vêtements amples lorsque vous utilisez le fumoir. Attachez vos cheveux, s'ils sont longs, lorsque vous utilisez le fumoir.
- **PORTEZ TOUJOURS** des chaussures qui couvrent entièrement vos pieds lorsque vous utilisez le fumoir.
- **N'UTILISEZ JAMAIS** d'accessoires de cuisson en verre, en plastique ou en céramique sur le fumoir ou à l'intérieur de celui-ci. Utilisez des accessoires en métal uniquement.
- L'utilisation d'accessoires non conçus pour une utilisation avec ce fumoir n'est pas recommandée et peut entraîner des blessures ou des bris matériels.
- Veuillez lire et suivre tous les avertissements et toutes les instructions avant d'assembler et d'utiliser l'appareil.

### PROPOSITION 65 DE L'ÉTAT DE LA CALIFORNIE

Les combustibles utilisés dans les appareils fonctionnant au bois ou au charbon et leurs produits de combustion contiennent des substances chimiques reconnues dans l'État de la Californie comme causant le cancer, des malformations congénitales ou d'autres problèmes de reproduction. Ce produit contient des substances chimiques, dont le plomb et des composés de plomb, reconnus par l'État de la Californie comme causant le cancer, des malformations congénitales ou d'autres problèmes de reproduction. ***Lavez-vous les mains après avoir manipulé l'appareil.***

## CONTENU DE L'EMBALLAGE



PIÈCE	DESCRIPTION	QUANTITÉ
A	Bâti du fumoir	1
B	Jauge de température avec écrou	1
C	Crochets à saucisses	1
D	Porte d'accès latérale	1
E	Grille de cuisson – bâti du fumoir	5
F	Poignée latérale – bâti du fumoir	1
G	Support du réservoir d'eau	1
H	Roue – gauche/droite	2
I	Assemblage du pied gauche	1
J	Réservoir d'eau	1
K	Support du récupérateur de graisse	1
L	Récupérateur de graisse	1
M	Pied droit – avant/arrière	2
N	Axe de roue	1
O	Registre du foyer décalé	1

PIÈCE	DESCRIPTION	QUANTITÉ
P	Support de raccordement du foyer décalé	2
Q	Grille à charbon	1
R	Grille de cuisson – foyer décalé	2
S	Poignée latérale – tiroir d'accès	1
T	Tiroir d'accès	1
U	Section inférieure du foyer décalé	1
V	Poignée du couvercle du foyer décalé	1
W	Section supérieure du foyer décalé	1
X	Couvercle du foyer décalé	1
Y	Support du couvercle du foyer décalé	1
Z	Cheminée	1
A1	Clapet d'aération de la cheminée	1
B1	Assemblage de la poignée	1
C1	Raccordement du foyer décalé	1

## QUINCAILLERIE FOURNIE

---

AA



Boulon  
M6 x 30 mm

Qté 4

BB



Boulon  
M6 x 12 mm

Qté 33

CC



Boulon  
M6 x 45 mm

Qté 3

DD



Écrou M6

Qté 9

EE



Écrou M12

Qté 2

FF



Écrou de  
blocage M6

Qté 1

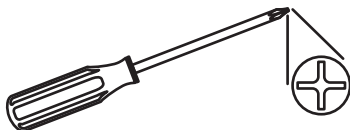
## PRÉPARATION

---

Avant de commencer l'assemblage du produit, assurez-vous que toutes les pièces sont présentes. Comparez les pièces à la liste de contenu de l'emballage et de quincaillerie fournie précédemment. Si des pièces sont manquantes ou endommagées, ne tentez pas d'assembler le produit. Communiquez avec le service à la clientèle pour obtenir des pièces de rechange.

**Temps d'assemblage estimé : 30 minutes**

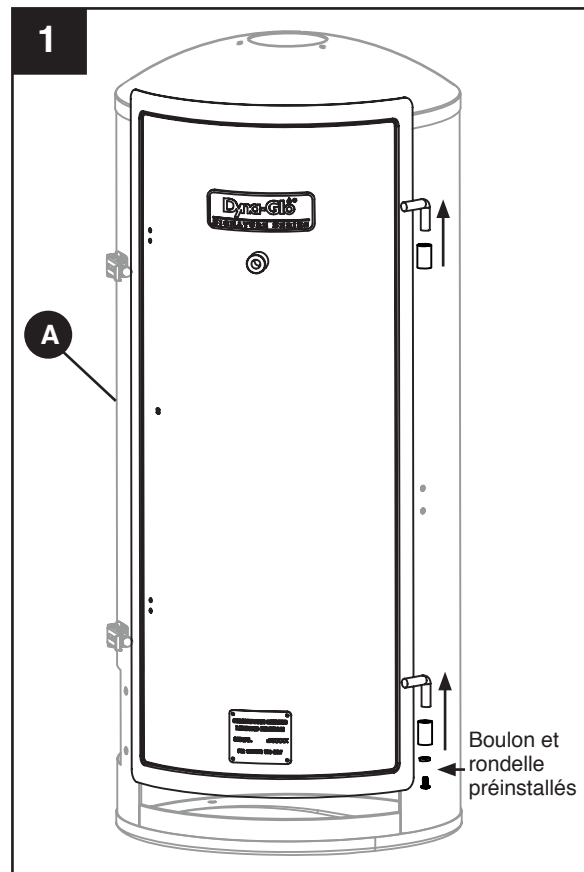
Outils nécessaires pour l'assemblage (non compris) : tournevis cruciforme, clé à molette ajustable



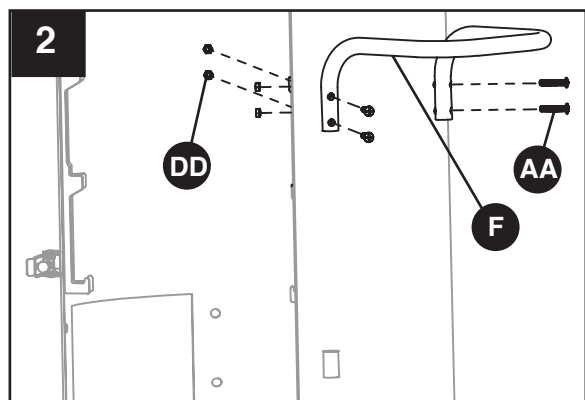
## INSTRUCTIONS D'ASSEMBLAGE

**⚠ MISE EN GARDE : Cet appareil est LOURD!  
N'essayez pas de placer le fumoir à la verticale sans aide!**



1. Retirez le boulon et la rondelle préinstallés sur la charnière de la porte inférieure du bâti du fumoir (A). Ouvrez la porte du fumoir et retirez-la en tirant vers le haut à partir des charnières du bâti du fumoir (A).



2. Fixez la poignée latérale (F) à l'aide de quatre (4) boulons M6 x 30 mm (AA) et quatre (4) écrous M6 (DD).



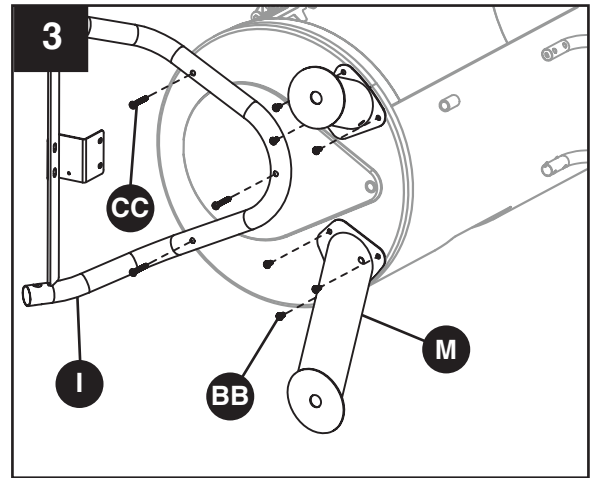
### Matériel utilisé

<b>AA</b>	Boulon M6 x 30 mm		x 4
<b>DD</b>	Écrou M6		x 4



## INSTRUCTIONS D'ASSEMBLAGE

3. **⚠ MISE EN GARDE : Cet appareil est LOURD! N'essayez pas de déposer le fumoir sur le côté sans aide!**

Fixez les pieds de droite avant et arrière (M) à l'aide de trois (3) boulons M6 x 12 mm (BB) par pied. Fixez l'assemblage du pied gauche (I) à l'aide de trois (3) boulons M6 x 45 mm (CC).



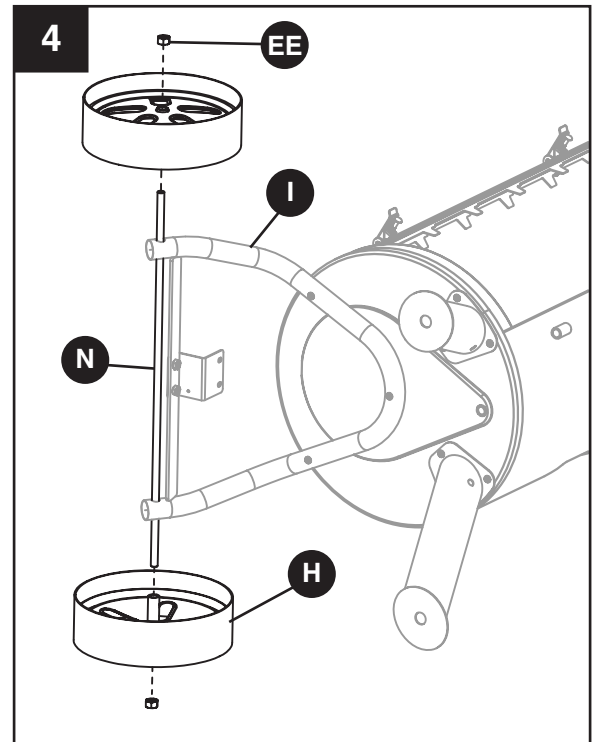
### Matériel utilisé

<b>BB</b>	Boulon M6 x 12 mm		x 6
<b>CC</b>	Boulon M6 x 45 mm		x 3

4. Insérez l'axe de roue (N) dans les trous de l'assemblage du pied gauche (I) et fixez les roues de gauche et de droite (H) à l'aide d'un (1) écrou M12 (EE) de chaque côté.

### Matériel utilisé

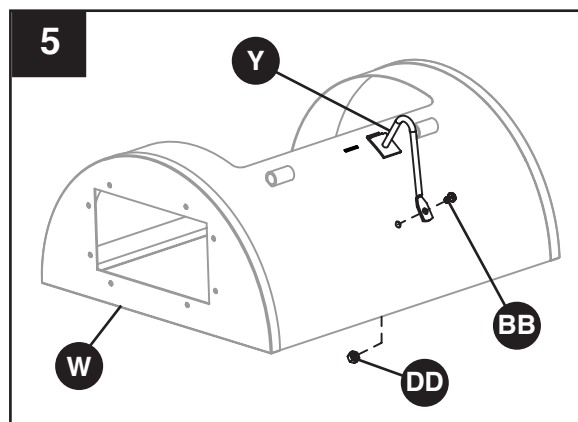
<b>EE</b>	Écrou M12		x 2
-----------	-----------	---	-----



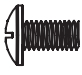



## INSTRUCTIONS D'ASSEMBLAGE

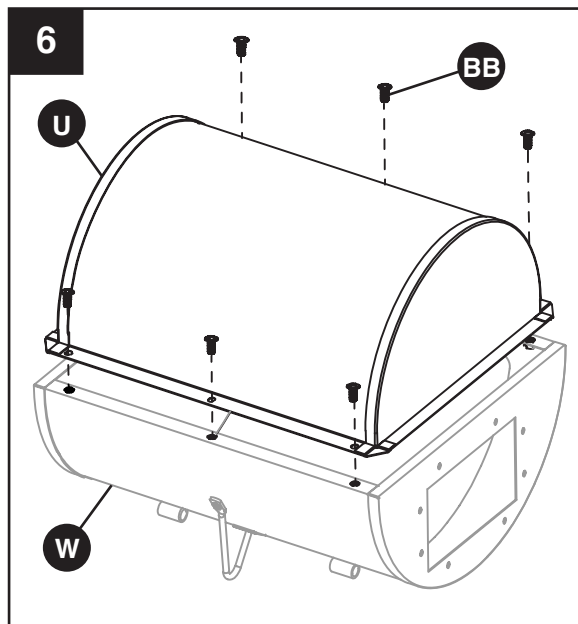
5. Insérez le côté du support du couvercle du foyer décalé (Y) dans l'ouverture sur la partie supérieure du foyer décalé (W). Fixez le support à l'aide d'un (1) boulon M6 x 12 mm (BB) et d'un (1) écrou M6 (DD).




### Matériel utilisé

<b>BB</b>	Boulon M6 x 12 mm		x 1
<b>DD</b>	Écrou M6		x 1

6. Fixez la partie inférieure du foyer décalé (U) à la partie supérieure (W) à l'aide de six (6) boulons M6 x 12 mm (BB).




### Matériel utilisé

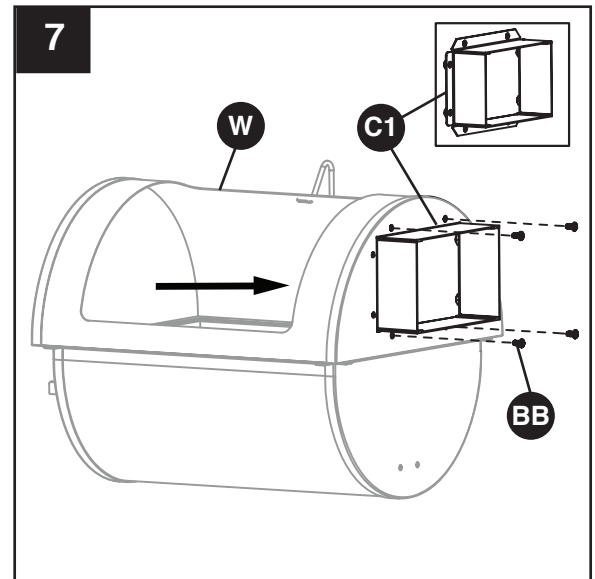
<b>BB</b>	Boulon M6 x 12 mm		x 6
-----------	----------------------	---	-----

## INSTRUCTIONS D'ASSEMBLAGE

7. Insérez le raccordement du foyer décalé (C1) dans l'ouverture sur la partie supérieure du foyer décalé (W) et fixez-le à l'aide de quatre (4) boulons M6 x 12 mm (BB).


### Matériel utilisé

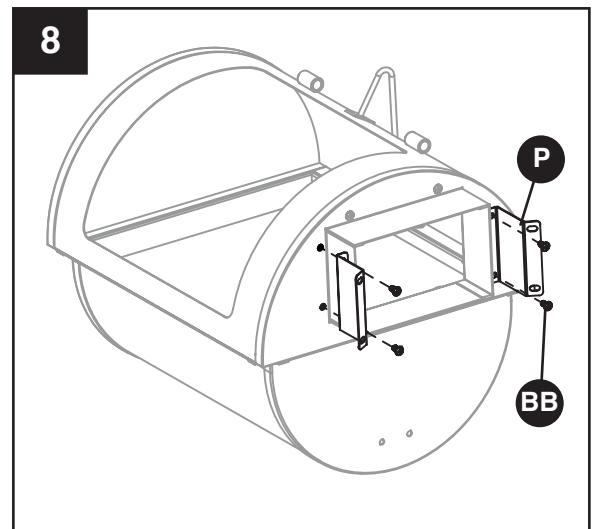
**BB** Boulon  
M6 x 12 mm  x 4



8. Fixez les supports de raccordement (P) à l'aide de quatre (4) boulons M6 x 12 mm (BB).

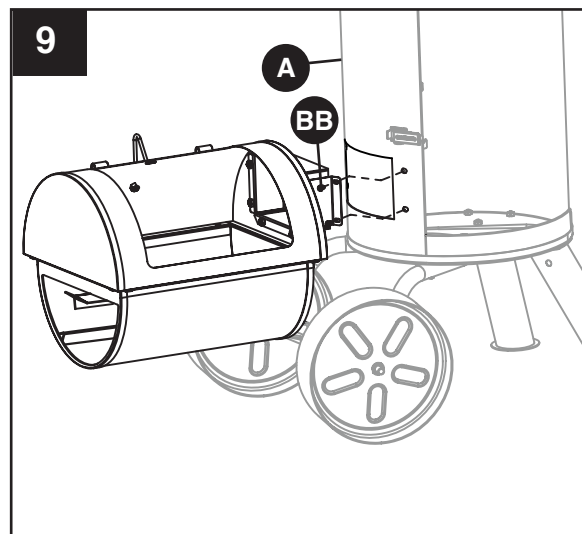
### Matériel utilisé

**BB** Boulon  
M6 x 12 mm  x 4




## INSTRUCTIONS D'ASSEMBLAGE

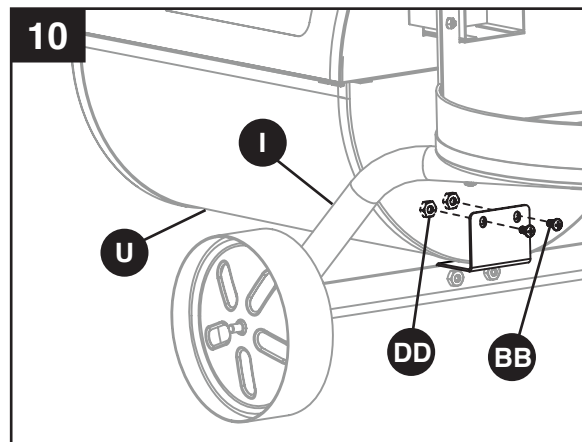
9. **⚠ MISE EN GARDE : Cet appareil est LOURD! N'essayez pas de placer le fumoir à la verticale sans aide!**  
Fixez le foyer décalé au bâti du fumoir (A) à l'aide de quatre (4) boulons M6 x 12 mm (BB).




### Matériel utilisé

<b>BB</b>	Boulon M6 x 12 mm		x 4
-----------	----------------------	---	-----

10. Fixez le support du foyer décalé préinstallé sur l'assemblage du pied gauche (I) à la partie inférieure du foyer décalé (U) à l'aide de deux (2) boulons M6 x 12 mm (BB) et de deux (2) écrous M6 (DD).




### Matériel utilisé

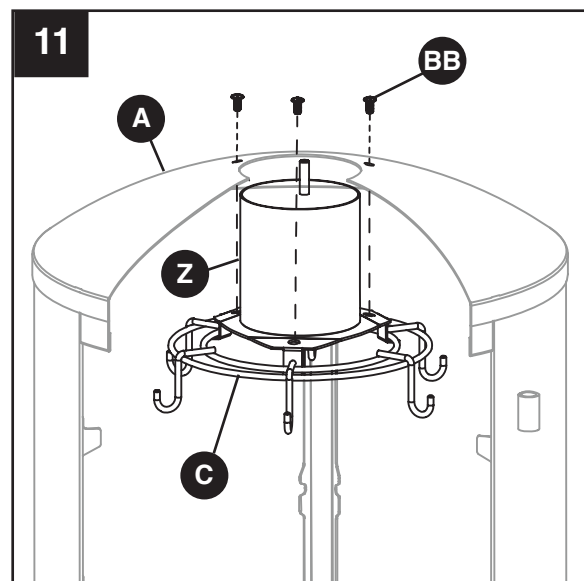
<b>BB</b>	Boulon M6 x 12 mm		x 2
<b>DD</b>	Écrou M6		x 2

## INSTRUCTIONS D'ASSEMBLAGE

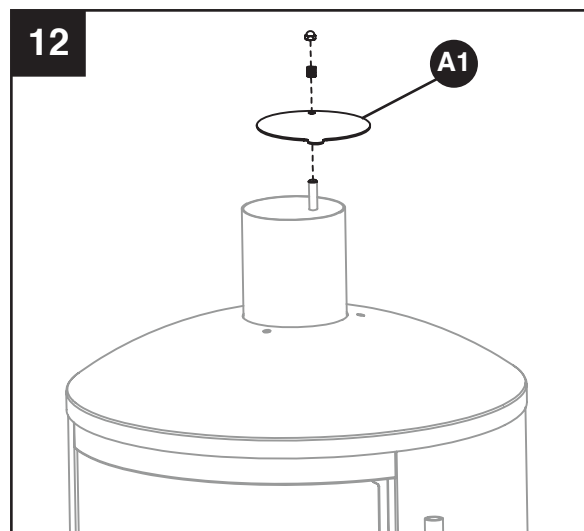
11. Posez le cercle intérieur des crochets à saucisses (C) sur les supports inférieurs de la cheminée (Z). Insérez la cheminée (Z) vers le haut par l'ouverture au sommet du bâti du fumoir (A) et fixez-la à l'aide de trois (3) boulons M6 x 12 mm (BB).

### Matériel utilisé

- BB** Boulon  
M6 x 12 mm  x 3

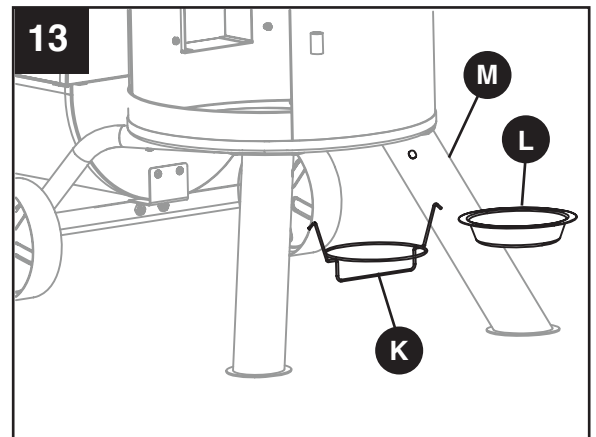


12. Fixez le clapet d'aération de la cheminée (A1) à l'aide du ressort et de l'écrou préinstallés.

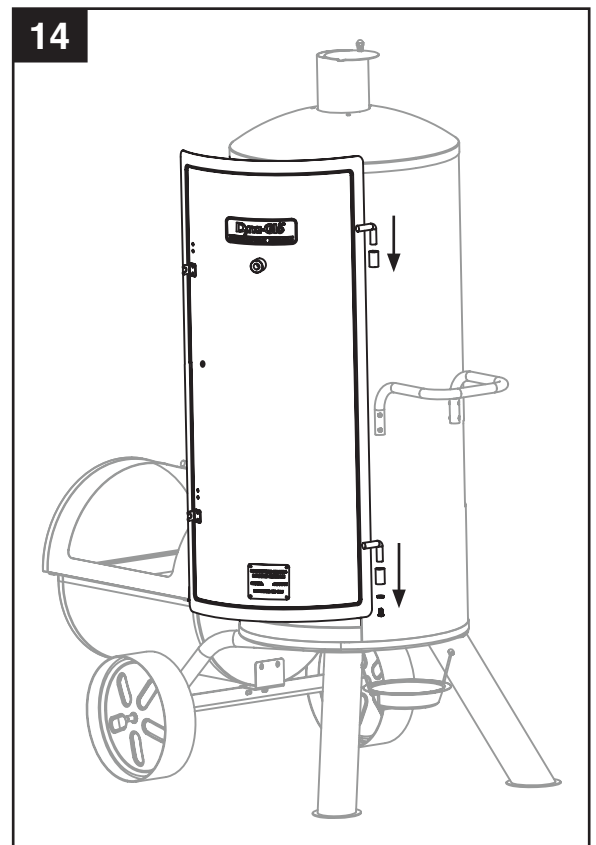


## INSTRUCTIONS D'ASSEMBLAGE

13. Fixez le support du récupérateur de graisse (K) à l'aide des trous sur les deux pieds droits (M). Placez le récupérateur de graisse (L) dans le support (K).

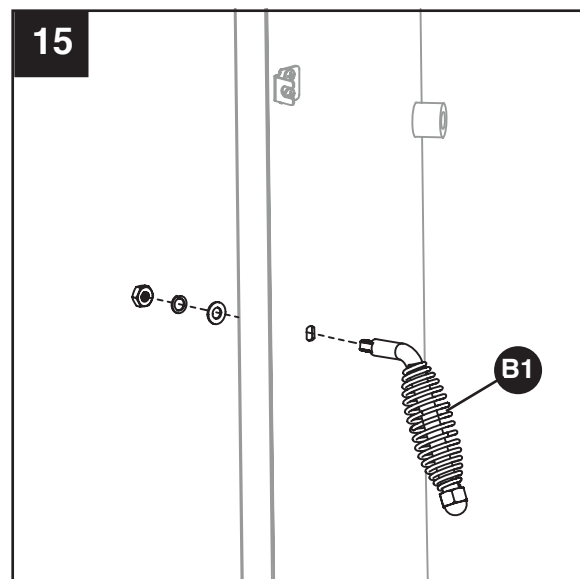


14. Installez la porte du bâti du fumoir et rattachez le boulon et la rondelle préinstallés.

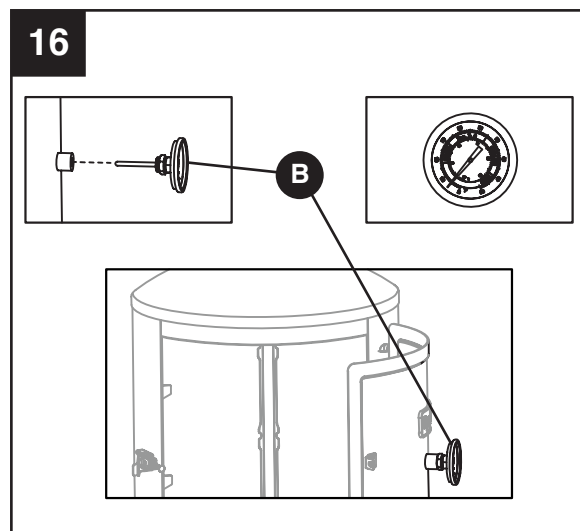


## INSTRUCTIONS D'ASSEMBLAGE

15. Fixez l'assemblage de la poignée (B1) à l'aide de la rondelle plate, de la rondelle élastique et de l'écrou M8 préinstallés.

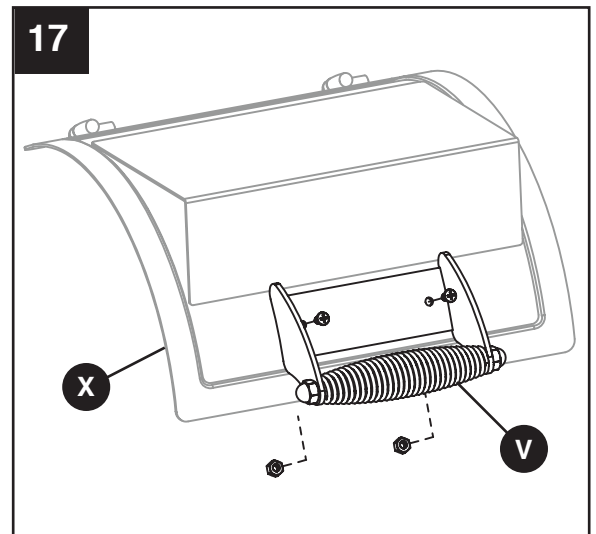


16. Fixez la jauge de température (B) en insérant la sonde par l'ouverture fileté de la porte du bâti du fumoir et en tournant dans le sens horaire.
- REMARQUE :** L'alignement de la jauge de température peut être réglé en tournant l'écrou préinstallé dans le sens horaire (ou antihoraire) avant l'installation.

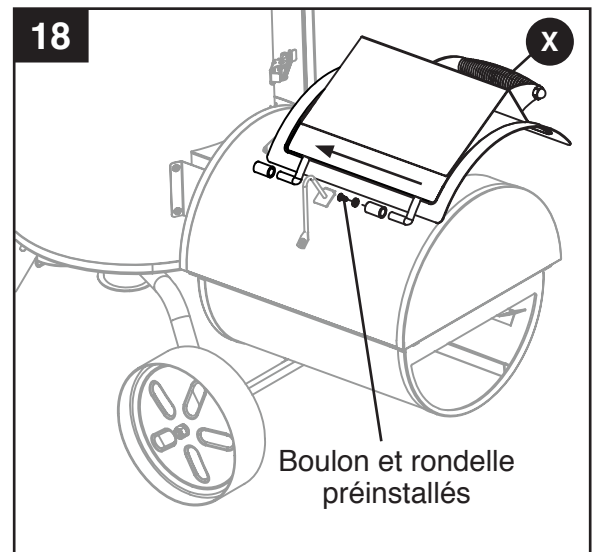


## INSTRUCTIONS D'ASSEMBLAGE

17. Fixez la poignée du couvercle du foyer décalé (V) au couvercle du foyer décalé (X) à l'aide des boulons et des rondelles préinstallés.

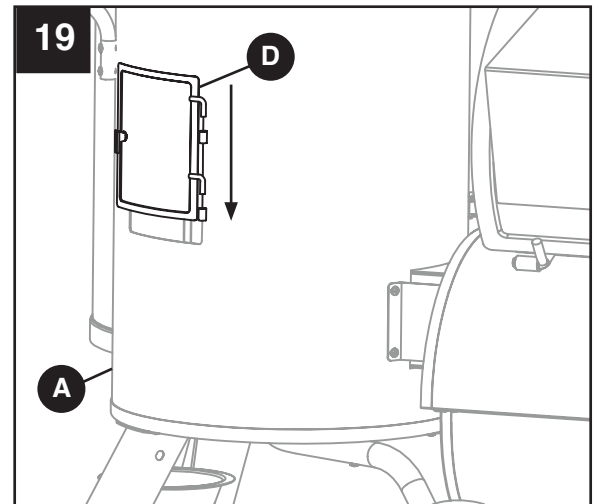


18. Fixez le couvercle du foyer décalé (X) à la chambre de combustion du foyer décalé à l'aide du boulon et de la rondelle préinstallés.

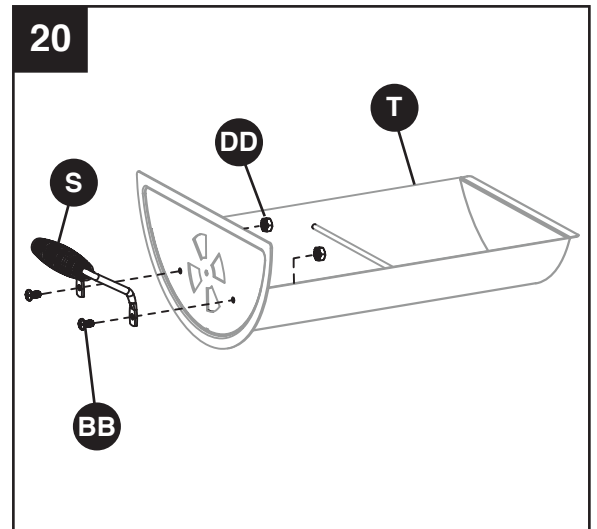


## INSTRUCTIONS D'ASSEMBLAGE



19. Installez la porte d'accès latérale (D) sur le bâti du four (A).



20. Fixez la poignée latérale (S) au tiroir d'accès (T) à l'aide de deux (2) boulons M6 x 12 mm (BB) et de deux (2) écrous M6 (DD).



### Matériel utilisé



<b>BB</b>	Boulon M6 x 12 mm		x 2
<b>DD</b>	Écrou M6		x 2

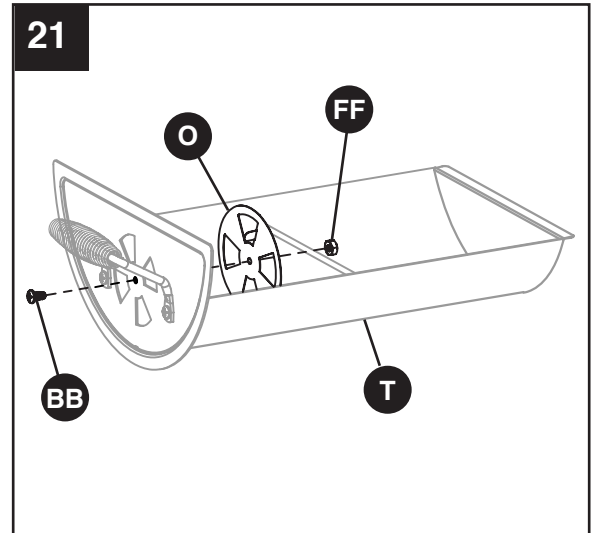


## INSTRUCTIONS D'ASSEMBLAGE

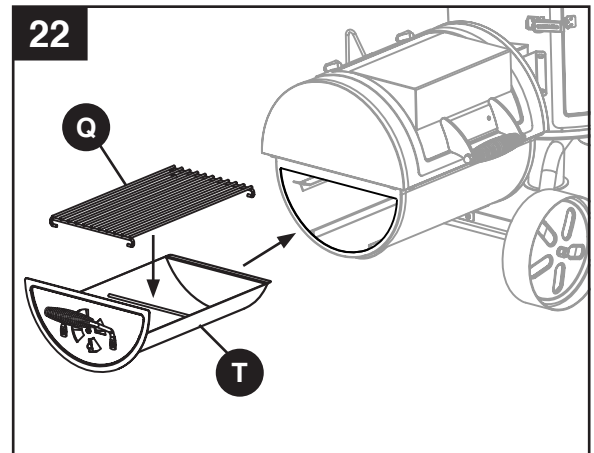
21. Fixez le registre du foyer décalé (O) au tiroir d'accès (T) à l'aide d'un (1) boulon M6 x 12 mm (BB) et d'un (1) écrou de blocage M6 (FF).

### Matériel utilisé

<b>BB</b>	Boulon M6 x 12 mm		x 1
<b>FF</b>	Écrou de blocage M6		x 1

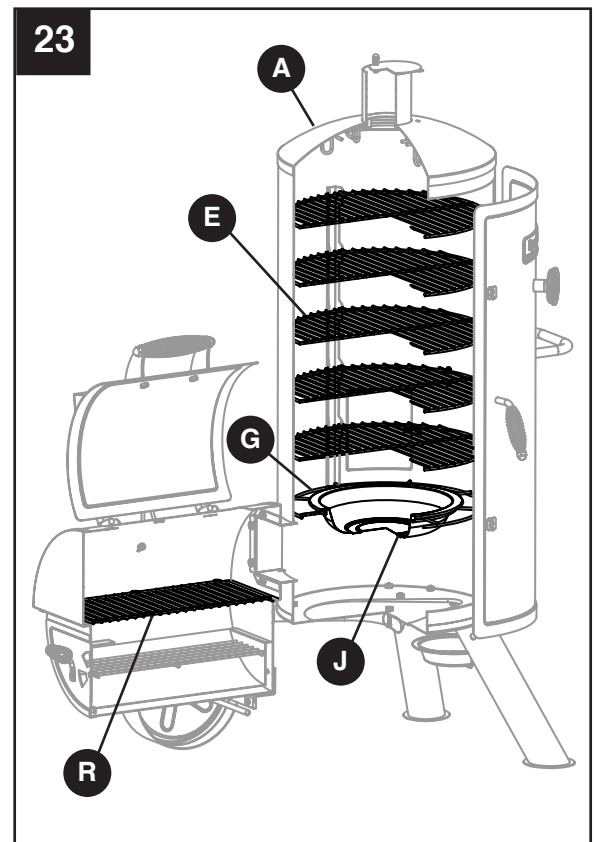


22. Placez la grille à charbon (Q) dans le tiroir d'accès (T) et glissez ce dernier dans la chambre de combustion du foyer décalé.



### 23. Installation des grilles de cuisson et du réservoir d'eau

Installez les grilles de cuisson du foyer décalé (R) dans la chambre de combustion du foyer décalé. Placez le support du réservoir d'eau (G) sur le support inférieur à l'intérieur du bâti du fumoir (A) et placez le réservoir d'eau (J) sur le support du réservoir d'eau (G). Placez les grilles de cuisson (E) sur les supports à l'intérieur du bâti du fumoir (A). Conseil : Placez les cinq (5) grilles de cuisson (E) à l'intérieur du bâti du fumoir (A) en commençant par la grille inférieure.



## INSTRUCTIONS DE FONCTIONNEMENT

---

### AVANT LA PREMIÈRE UTILISATION

Retirez tous les emballages et toutes les attaches de plastique, le cas échéant.

Il est important de « culotter » le fumoir et gril avant la première utilisation. Le culottage permet de sceller la peinture et l'intérieur de l'appareil pour améliorer le goût des aliments, en plus d'augmenter la durabilité et la performance globale. Pour culotter votre fumoir et gril, utilisez-le comme vous le feriez normalement, mais en ne faisant cuire aucun aliment. Vous devrez suivre toutes les procédures d'allumage et d'utilisation des prochaines sections de ce guide.

En utilisant les essences de bois et les marinades désirées, brûlez le fumoir à basse température (autour de 79,4 °C/175 °F) pendant 45 à 60 minutes. Laissez le fumoir refroidir et videz les copeaux de bois et le charbon.

Une fois le culottage terminé, l'intérieur de votre fumoir et du gril bénéficiera d'un revêtement durable.

### Instructions d'allumage (pour fumage ou cuisson sur charbon)

**N'UTILISEZ PAS DE CHARBON DE BOIS TRAITÉ AVEC UN ACCÉLÉRATEUR dans le fumoir.**

Utilisez uniquement des briquettes ou des blocs de charbon de bois standards non traités et ajoutez uniquement de l'allume-feu liquide pour charbon de bois. N'utilisez pas d'essence à briquet, de diluants, d'essence, de kérosène ou d'autres matières inflammables pour allumer les charbons.

**L'utilisation de charbon prétraité avec un accélérateur peut endommager le fumoir.**

**Commencez avec au moins 1,8 kg (4 lb) de charbon (75 briquettes standards).**

Ajustez la quantité au besoin lorsque vous cuisinez par temps froid, venteux ou pluvieux.

#### Étape 1

Remarque : Veuillez vous reporter aux recommandations du fabricant pour connaître la quantité d'allume-feu liquide pour charbon de bois avant d'en mettre sur les briquettes. Il est possible d'ajouter du charbon au foyer décalé en retirant les grilles de cuisson de ce dernier, ou en retirant le tiroir d'accès latéral. Empilez le charbon au milieu de la grille à charbon du foyer décalé. Les briquettes doivent être rapprochées les unes des autres afin d'assurer une combustion optimale. Dispersez de l'allume-feu liquide sur les charbons en respectant la quantité recommandée par le fabricant. Après avoir laissé le charbon s'imbiber, placez l'allume-feu liquide à une distance sécuritaire du fumoir. Laissez l'allume-feu liquide s'imbiber dans le charbon pendant trois (3) minutes avant l'allumage.

#### Étape 2

Alors que **la porte du foyer principal et le couvercle du foyer décalé sont ouverts**, tenez-vous à l'écart, allumez le charbon avec prudence et laissez-le brûler jusqu'à ce qu'il soit recouvert d'une mince couche de cendre (environ 20 minutes). Il faut laisser le temps à l'allume-feu liquide de se consumer complètement avant de fermer la porte du foyer principal et le couvercle du foyer décalé. (La fumée aura tendance à s'accumuler dans les deux foyers lorsque la porte et le couvercle sont fermés.)

## INSTRUCTIONS DE FONCTIONNEMENT

---

### Instructions d'allumage (suite)

#### Étape 3

Après 20 à 25 minutes, les charbons devraient être prêts pour la cuisson ou pour l'ajout de copeaux de bois. Reportez-vous à la prochaine section avant d'ajouter des copeaux sur les charbons allumés.

**⚠ DANGER : La fermeture de la porte du fumoir et du couvercle du foyer décalé pendant la procédure d'allumage peut emprisonner les vapeurs de l'allume-feu liquide dans le fumoir et causer un embrasement éclair ou une explosion à l'ouverture de la porte, entraînant des bris matériels, des blessures corporelles et même la mort. N'essayez jamais d'ajouter de l'allume-feu liquide sur les charbons une fois qu'ils sont allumés.**

### AJOUT DE COPEAUX DE BOIS (AVANT ET PENDANT LA CUISSON)

**⚠ AVERTISSEMENT : Faites preuve de prudence, car des flammes peuvent jaillir lorsque de l'air frais entre soudainement en contact avec le feu. Lorsque vous ouvrez la porte, gardez vos mains, votre visage et votre corps à une distance sécuritaire de la vapeur chaude et des flammes.**

#### Copeaux de bois trempés

Trempez la quantité désirée de copeaux dans l'eau pendant 30 minutes. Enveloppez les copeaux dans du papier d'aluminium et percez des trous sur le dessus de l'emballage. **SUIVEZ LES ÉTAPES CI-DESSOUS AVANT D'AJOUTER DES COPEAUX DE BOIS TREMPÉS.**

#### Copeaux de bois secs

Les copeaux de bois secs peuvent être placés directement sur le charbon allumé, qu'ils soient dans du papier d'aluminium ou non.

**SUIVEZ LES ÉTAPES CI-DESSOUS AVANT D'AJOUTER DES COPEAUX DE BOIS SECS.**

La quantité et l'essence de bois à utiliser dépendent entièrement de la concentration de saveur désirée. Veuillez vous reporter au tableau ci-dessous pour des conseils sur l'utilisation de copeaux de bois avec différents aliments.

#### Étape 1

Tenez-vous à l'écart et ouvrez doucement la porte du foyer décalé pour permettre à la chaleur et à la vapeur de s'échapper loin de votre visage. Faites preuve de prudence, car des flammes peuvent jaillir lorsque de l'air frais entre soudainement en contact avec le feu. Il est possible d'ajouter du bois, soit en retirant les grilles de cuisson avec des mitaines de four ou gants résistants aux flammes OU en utilisant le tiroir d'accès latéral.

#### Étape 2

En portant des mitaines de four ou gants résistants aux flammes, utilisez de longues pinces à cuisson en métal pour balayer doucement les cendres qui recouvrent les charbons ardents. Utilisez les longues pinces à cuisson en métal pour ajouter des copeaux de bois (ou des charbons) directement sur les charbons, en prenant soin de ne pas soulever de cendres et provoquer des étincelles.

**⚠ AVERTISSEMENT : N'ajoutez jamais d'allume-feu liquide sur les charbons ardents ou même chauds, car cela pourrait provoquer un retour de flamme entraînant des blessures graves.**

#### Étape 3

Attendez que les braises aient complètement refroidi avant de nettoyer le fumoir ou de le réutiliser.

## CONSEILS SUR LE FUMAGE

Le fumage d'aliments est différent des grillades. Le fumage se fait généralement lentement et à des températures plus basses que la cuisson. La fumée produite par le bois s'infuse d'elle-même dans la viande, ce qui lui confère ce délicieux goût de fumée. La cuisson normale, elle, se fait beaucoup plus rapidement et à des températures plus élevées.

- Les petits copeaux de bois sont plus efficaces dans le tiroir à copeaux de bois.
- Utilisez des bois francs secs comme les bois de caryer, de pacanier, de pommier, de cerisier et de mesquite.
- Pour produire davantage de fumée et éviter la combustion trop rapide, trempez les copeaux de bois dans un bol d'eau à part pendant 30 minutes avant leur utilisation, ou enveloppez-les dans du papier d'aluminium perforé.
- L'aromatisation des aliments par la fumée se produit principalement pendant la première heure de cuisson. **L'ajout de copeaux de bois après la première heure de cuisson n'est généralement pas nécessaire, sauf si vous désirez un arôme de fumée prononcé.**

Voici une liste des essences de bois les plus répandues pour le fumage des aliments, ainsi que quelques renseignements sur chacune d'elles :

Essence de bois	Aliment suggéré	Commentaires
Pommier	Toutes les viandes	Saveur douce, sucrée et légèrement fruitée. Chaque espèce de pommier confère aux aliments une saveur légèrement différente. Le bois de pommier produit un effet de brunissement qui rend la nourriture encore plus appétissante.
Amandier	Toutes les viandes	Produit une fumée sucrée avec des saveurs naturelles de noix.
Frêne	Poisson et viandes rouges	Saveur très douce.
Citrus	Porc et poulet	Les bois de citronnier et d'oranger confèrent aux aliments une saveur douce et fruitée.
Cerisier	Porc et bœuf	Saveur douce et fruitée.
Arbres fruitiers	Porc, volaille et poisson	Le bois d'arbres fruitiers, comme le pêcher, le poirier et le prunier, confère aux aliments une saveur douce, sucrée et légèrement fruitée.
Vigne	Volaille, gibier et agneau	Le bois de vigne dégage beaucoup de fumée et brûle longtemps en petite quantité. Il confère aux aliments une saveur acidulée et légèrement fruitée.
Caryer	Porc et bœuf	Le bois de caryer est sans doute le bois le plus apprécié des amateurs de fumage. La saveur qu'il produit est très prononcée; par conséquent, nous recommandons de l'utiliser en faible quantité pour commencer.
Érable	Porc et volaille	Saveur douce et sucrée.
Mesquite	Bœuf, poulet et poisson	Le bois de mesquite dégage une chaleur intense, alors soyez prudent. Tout comme le bois de caryer, il est très apprécié et confère aux aliments une saveur prononcée.
Chêne	Viandes rouges, gibier, côtes levées et poisson	Le bois de chêne produit également une fumée dense. Utilisez-en une faible quantité pour commencer.
Pacanier	Côtes levées et viandes rouges	Le bois de pacanier produit une fumée légère qui confère aux aliments une saveur sucrée et un goût de pacane.

# SUGGESTIONS SUR LES TEMPÉRATURES DE FUMAGE ET DE CUISSON DE LA VIANDE

## Températures de fumage

Des températures de fumage précises sont essentielles pour faire cuire les aliments de manière sécuritaire si vous ne disposez pas d'une sonde thermique. Veuillez noter que la jauge de température préinstallée est un outil acceptable pour le fumage des aliments, mais que ce n'est pas toujours le moyen idéal pour mesurer la température exacte de fumage, car il peut y avoir une différence de température à l'intérieur du fumoir entre les grilles de cuisson supérieure et inférieure. Veuillez également garder à l'esprit que les sondes de la majorité des jauges sont conçues pour mesurer la température à leur extrémité et non pour mesurer la température globale à l'intérieur du fumoir.

Autrement, il est recommandé que les utilisateurs se procurent une jauge de température à four ou un thermomètre à viande. Le thermomètre à viande est le moyen le plus efficace de déterminer quand les aliments ont atteint la température sécuritaire de cuisson. Veuillez vous reporter au tableau ci-dessous pour connaître les températures de cuisson.

## SUGGESTIONS DE TEMPÉRATURES DE FUMAGE

	Température de cuisson suggérée	Température de cuisson sécuritaire minimale
<b>Porc, volaille et poisson</b>		
<b>Bœuf, veau et agneau (morceaux et coupes entières)</b>		
Mi-saignant	107,2 °C (225 °F)	63 °C (145 °F)
À point	107,2 °C (225 °F)	71 °C (160 °F)
Bien cuit	107,2 °C (225 °F)	77 °C (170 °F)
<b>Porc (jambon, longe de porc, côtes levées)</b>		
Porc (morceaux et coupes entières)	107,2 °C à 115,6 °C (225 °F à 240 °F)	71 °C (160 °F)
<b>Viandes hachées et mélanges de viande (hamburgers, saucisses, boulettes, plats en casserole et bœuf attendri mécaniquement)</b>		
Bœuf et veau (attendri mécaniquement ou non), agneau et porc	121 °C à 149 °C (250 °F à 300 °F)	71 °C (160 °F)
Volaille (poulet et dinde)	121 °C à 149 °C (250 °F à 300 °F)	74 °C (165 °F)
<b>Volaille (poulet, dinde, canard)</b>		
Morceaux	121 °C (250 °F)	74 °C (165 °F)
Coupes entières	115,6 °C (240 °F)	85 °C (185 °F)
<b>Fruits de mer</b>		
Poisson	107,2 °C à 115,6 °C (225 °F à 240 °F)	70 °C (158 °F)
Mollusques et crustacés (crevettes, homard, crabe, pétoncles, palourdes, moules et huîtres)	107,2 °C à 115,6 °C (225 °F à 240 °F)	74 °C (165 °F)
Étant donné qu'il est difficile d'utiliser un thermomètre pour aliments pour mesurer la température des mollusques, jetez ceux dont la coquille n'a pas ouvert lors de la cuisson.		

	Température de cuisson suggérée	Température de cuisson sécuritaire minimale
<b>Gibier</b>		
<b>Côtelettes, steaks et rôtis (cerf, wapiti, orignal, caribou/renne, antilope et antilope d'Amérique)</b>		
Bien cuit	107,2 °C (225 °F)	77 °C (170 °F)
<b>Grand gibier</b>		
Ours, bison, bœuf musqué, morse, etc.	121 °C à 149 °C (250 °F à 300 °F)	74 °C (165 °F)
<b>Petit gibier</b>		
Lièvre, rat musqué, castor, etc.	107,2 °C à 115,6 °C (225 °F à 240 °F)	74 °C (165 °F)
<b>Viande hachée</b>		
Viandes hachées et mélanges de viande	121 °C à 149 °C (250 °F à 300 °F)	74 °C (165 °F)
Venaison hachée et saucisse	121 °C à 149 °C (250 °F à 300 °F)	74 °C (165 °F)
<b>Gibier à plumes/oiseaux aquatiques (dindon sauvage, canard, oie, perdrix et faisán)</b>		
Coupes entières	121 °C (250 °F)	82 °C (180 °F)
Poitrines et rôtis	121 °C (250 °F)	74 °C (165 °F)
Cuisses, ailes	121 °C (250 °F)	74 °C (165 °F)
Farce (cuite seule ou dans l'oiseau)	121 °C (250 °F)	74 °C (165 °F)

### SÉCURITÉ ET ENTRETIEN APRÈS USAGE

#### AVERTISSEMENT

- Soyez prudent lorsque vous soulevez et déplacez le fumoir afin d'éviter les douleurs et les blessures. Il est conseillé de s'y prendre à deux pour le soulever ou le déplacer.
- **NE RANGEZ PAS** le fumoir près d'essence ou d'autres liquides combustibles, ni dans des endroits où des vapeurs combustibles peuvent être présentes. Maintenez la zone entourant le fumoir propre et libre de tout matériau ou de toute vapeur combustibles.
- **NE RANGEZ PAS** le fumoir dans un endroit accessible aux enfants ou aux animaux. Rangez-le dans un endroit sec et protégé.
- **NE LAISSEZ PERSONNE** mener des activités autour du fumoir après son fonctionnement tant qu'il n'a pas refroidi. Le gril devient chaud pendant son fonctionnement et reste chaud pendant un certain temps après l'utilisation.
- **NE LAISSEZ PAS** de cendres chaudes sans surveillance tant que le fumoir n'a pas complètement refroidi.
- Le fumoir peut devenir extrêmement chaud – laissez-le refroidir complètement avant de le manipuler. Laissez-le refroidir avant d'enlever et de nettoyer le récupérateur de graisse.
- Jetez les cendres froides en les enveloppant dans du papier d'aluminium très résistant et en les plaçant dans un contenant incombustible.
- Si vous devez jeter les cendres avant qu'elles n'aient complètement refroidi, retirez le tiroir d'accès latéral à l'aide de gants résistants à la chaleur et placez les cendres dans du papier d'aluminium. Trempez-les complètement dans l'eau avant de les jeter dans un contenant incombustible.

 **MISE EN GARDE : Toutes les procédures d'entretien et de maintenance doivent être effectuées lorsque le fumoir a complètement refroidi.**

Nettoyer les grilles de cuisson à l'aide d'eau chaude savonneuse. Rincez-les et essuyez-les bien. Il est préférable d'enduire les grilles de cuisson d'un peu d'huile ou d'aérosol de cuisson.

Pour nettoyer l'intérieur et l'extérieur du fumoir, utilisez simplement un chiffon humide. Le lavage à l'aide d'un boyau d'arrosage n'est pas recommandé. L'humidité doit être essuyée et ne doit pas être tolérée à l'intérieur ou sur le dessus du fumoir. Une fois le fumoir nettoyé, il est préférable d'en enduire l'intérieur d'un peu d'huile ou d'aérosol de cuisson.

S'il y a présence de rouille à l'intérieur du fumoir, nettoyez bien la zone à l'aide d'une laine d'acier ou d'une toile d'émeri et enduisez-la de peinture durable résistant à la chaleur.

N'appliquez JAMAIS de peinture supplémentaire à l'intérieur du fumoir. S'il y a présence de rouille à l'intérieur du fumoir, nettoyez bien la zone à l'aide d'une laine d'acier ou d'une toile d'émeri et enduisez-la d'un peu d'huile et d'aérosol de cuisson pour aider à réduire la réapparition de la rouille.

Pour protéger le fumoir des conditions climatiques, couvrez-le toujours lorsque vous ne l'utilisez pas.

## **GARANTIE**

---

Ce fumoir vertical avec gril décalé est garanti contre les pièces brisées ou endommagées au moment de l'achat. Toutes les pièces sont couvertes par une garantie limitée d'un (1) an. La peinture est garantie contre les défauts pour une période de 90 jours, mais n'est pas garantie contre la rouille, qui pourrait apparaître après une utilisation répétée.

La garantie ne couvre pas les dommages et les problèmes causés par une négligence, une utilisation abusive ou des modifications apportées à l'appareil. La garantie ne couvre pas les coûts de main-d'œuvre.

Pour chaque pièce couverte par la garantie, une pièce de remplacement sera livrée sans frais selon la méthode choisie par GHP Group, Inc. (livraisons par voie terrestre, service postal des États-Unis ou services de colis postaux UNIQUEMENT). Tous les frais de manutention spéciaux (p. ex. : 2 jours, jour suivant, etc.) relèvent de la responsabilité du consommateur.

Toutes les réclamations sous garantie s'appliquent uniquement à l'acheteur initial du produit et nécessitent une preuve d'achat qui indique la date d'achat. Ne retournez aucune pièce à l'adresse de GHP sans avoir obtenu au préalable un numéro d'autorisation de retour de la part du service à la clientèle. Pour obtenir ce service, appelez sans frais au 1 877 447-4768, de 8 h 30 à 16 h 30 (HNC), du lundi au vendredi.

Les lois en vigueur dans certains États, provinces ou territoires n'autorisent pas l'exclusion ou la limitation des dommages consécutifs ou indirects, ou encore, la limitation de la durée d'une garantie implicite et, par conséquent, les limitations et exclusions énoncées ci-dessus pourraient ne pas s'appliquer à vous. La présente garantie vous accorde des droits spécifiques reconnus par la loi et vous bénéficiez peut-être aussi d'autres droits, qui peuvent varier selon l'État, la province ou le territoire.

GHP Group, Inc.  
6440 W. Howard St.  
Niles, IL, États-Unis  
60714-3302

Nom de l'article : Fumoir vertical à charbon haute-capacité et gril décalé  
N° de modèle : DGSS1382VCS/DGSS1382VCS-D



## LISTE DES PIÈCES DE RECHANGE

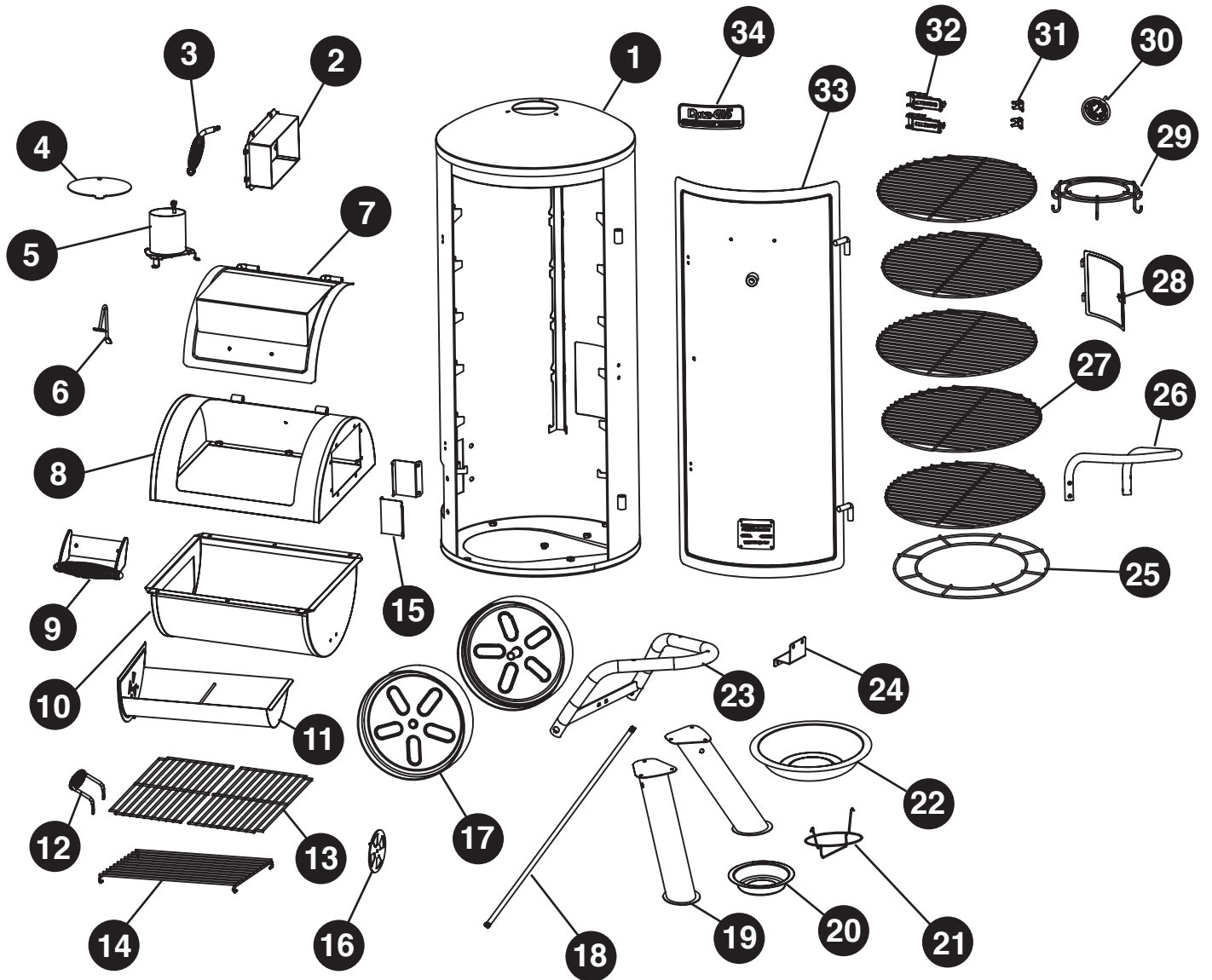
Pour obtenir des pièces de rechange, appelez notre service à la clientèle au 1 877 447-4768, entre 8 h 30 et 16 h 30 (HNC), du lundi au vendredi, ou écrivez à [customerservice@ghpgroupinc.com](mailto:customerservice@ghpgroupinc.com).

PIÈCE	DESCRIPTION	N° DE PIÈCE
1	Bâti du fumoir (sans l'assemblage de la porte, le loquet de la porte, la cheminée et la poignée latérale)	70-01-526
2	Raccordement du foyer décalé	70-01-527
3	Assemblage de la poignée*	70-01-517
4	Clapet d'aération de la cheminée	70-01-522
5	Cheminée*	70-01-521
6	Support du couvercle du foyer décalé	70-01-528
7	Couvercle du foyer décalé	70-01-529
8	Section supérieure du foyer décalé (sans couvercle ni raccordement)	70-01-530
9	Poignée du couvercle du foyer décalé	70-01-531
10	Section inférieure du foyer décalé	70-01-532
11	Tiroir d'accès du foyer décalé	70-01-533
12	Poignée du tiroir du foyer décalé	70-01-534
13	Grille de cuisson du foyer décalé (1)	70-01-535
14	Grille à charbon du foyer décalé	70-01-536
15	Support de raccordement du foyer décalé (1)	70-01-537
16	Registre du foyer décalé	70-01-538
17	Roue – gauche/droite (1)	70-01-516
18	Axe de roue	70-01-513

PIÈCE	DESCRIPTION	N° DE PIÈCE
19	Pied droit – avant/ arrière (1)	70-01-579
20	Récupérateur de graisse	70-01-539
21	Support du récupérateur de graisse	70-01-540
22	Réservoir d'eau	70-01-508
23	Assemblage du pied gauche	70-01-542
24	Support de raccordement du foyer décalé	70-01-541
25	Support du réservoir d'eau	70-01-507
26	Poignée latérale – bâti du fumoir	70-01-520
27	Grille de cuisson – bâti du fumoir (1)	70-01-506
28	Porte d'accès latérale	70-01-543
29	Crochets à saucisses	70-01-505
30	Jauge de température*	70-01-518
31	Support du loquet de la porte	70-01-523
32	Loquet de la porte (1)	70-01-524
33	Porte du bâti du fumoir (sans insigne Dyna-Glo, loquet de la porte ou jauge de température)	70-01-544
34	Insigne Dyna-Glo	70-01-525
S.O.	Trousse de matériel	70-09-514
S.O.	Guide d'instruction	70-10-583

\* Matériel inclus

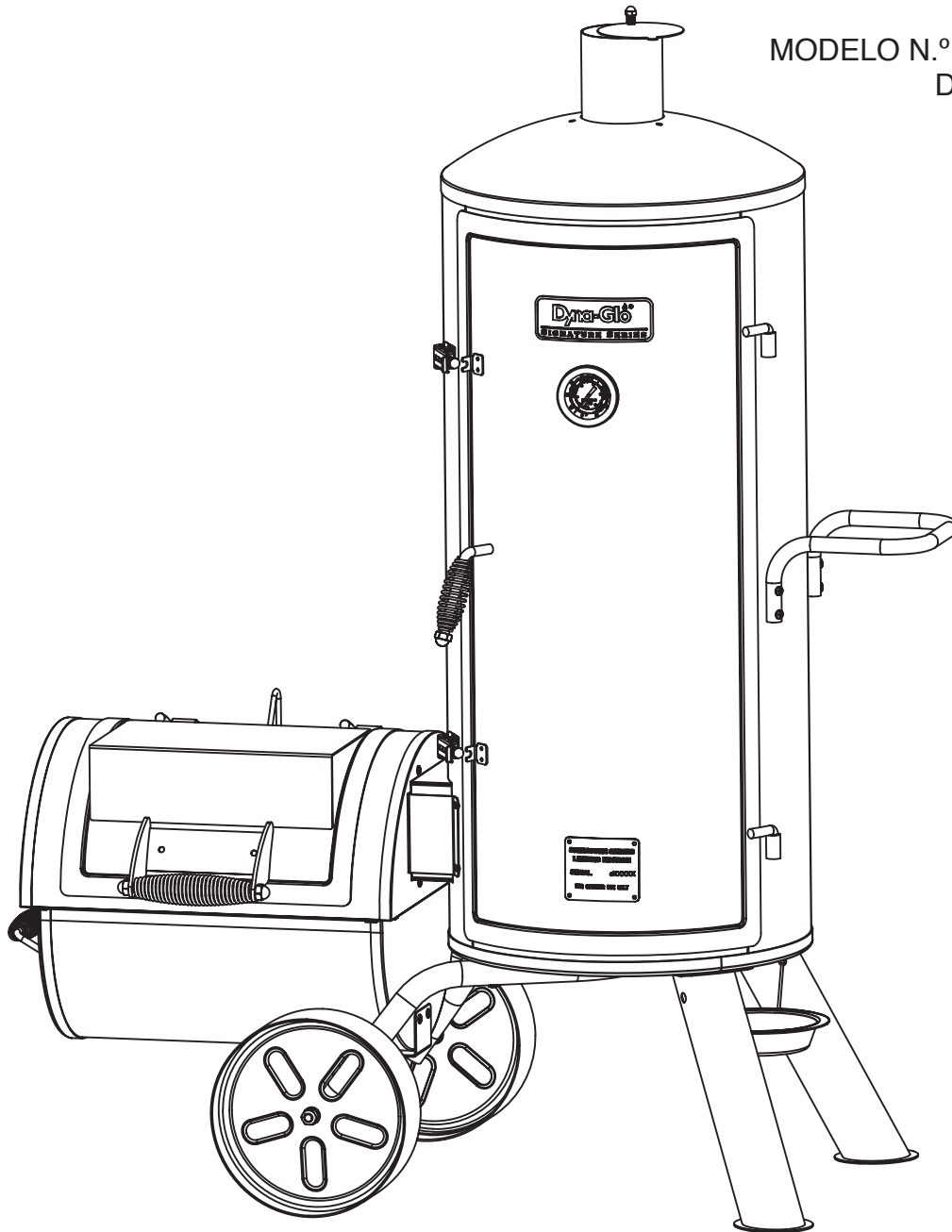
# LISTE DES PIÈCES DE RECHANGE





# Ahumador y parrilla vertical lateral a carbón de gran potencia

MODELO N.º DGSS1382VCS/  
DGSS1382VCS-D



ADJUNTE SU RECIBO AQUÍ

Número de serie \_\_\_\_\_ Fecha de compra \_\_\_\_\_



¿Dudas, problemas, piezas faltantes? Antes de volver a la tienda, llame a nuestro Departamento de Atención al Cliente al 1-877-447-4768, de lunes a viernes de 8:30 a 16:30 (hora central estándar), o escriba a [customerservice@ghpgroupinc.com](mailto:customerservice@ghpgroupinc.com).

## CONTENIDO


---

Información de seguridad .....	54
Contenido del paquete .....	56
Herramientas y tornillería .....	57
Preparación .....	57
Instrucciones de ensamblaje .....	58
Instrucciones de funcionamiento .....	70
Consejos para ahumar .....	72
Cuidado y mantenimiento .....	74
Garantía .....	75
Lista de piezas de repuesto .....	76

## INFORMACIÓN DE SEGURIDAD

---

Lea el manual entero atentamente antes de intentar ensamblar, poner en funcionamiento o instalar el producto. Si tiene alguna pregunta sobre el producto, llame a nuestro Departamento de Atención al Cliente al 1-877-447-4768, de lunes a viernes de 8:30 a 16:30 (hora central estándar), o escriba a [customerservice@ghpgroupinc.com](mailto:customerservice@ghpgroupinc.com).

-  Tenga precaución al levantar y mover la unidad para evitar un esguince o lesión en la espalda. No mueva la unidad mientras está encendida.
- **NO** ponga en funcionamiento la unidad cerca ni debajo de materiales combustibles o inflamables, como pisos de madera, galerías o cocheras.
- La distancia mínima desde los laterales y la parte trasera hasta la estructura combustible debe ser de 36 pulgadas (91,4 cm).
- **NO** ponga en funcionamiento la unidad debajo de techos.
- **NO** utilice este ahumador y parrilla como calefactor.
- Utilice la unidad sobre una superficie no combustible, estable y nivelada, por ejemplo, una superficie asfaltada, de cemento o tierra firme.
- **NO** ponga en funcionamiento la unidad sobre material inflamable, como alfombra o pisos de madera.
- Tenga precaución al ensamblar y utilizar esta unidad para evitar cortarse y rasparse con los bordes.
- **NO** utilice este producto con una finalidad para la que no fue diseñado. **NO** está diseñado para uso comercial. **NO** está diseñado para ser instalado o utilizado en interiores ni sobre embarcaciones o casas rodantes.
- **NO** guarde esta unidad cerca de gasolina u otros líquidos combustibles o donde podría haber otros vapores combustibles.



## INFORMACIÓN DE SEGURIDAD

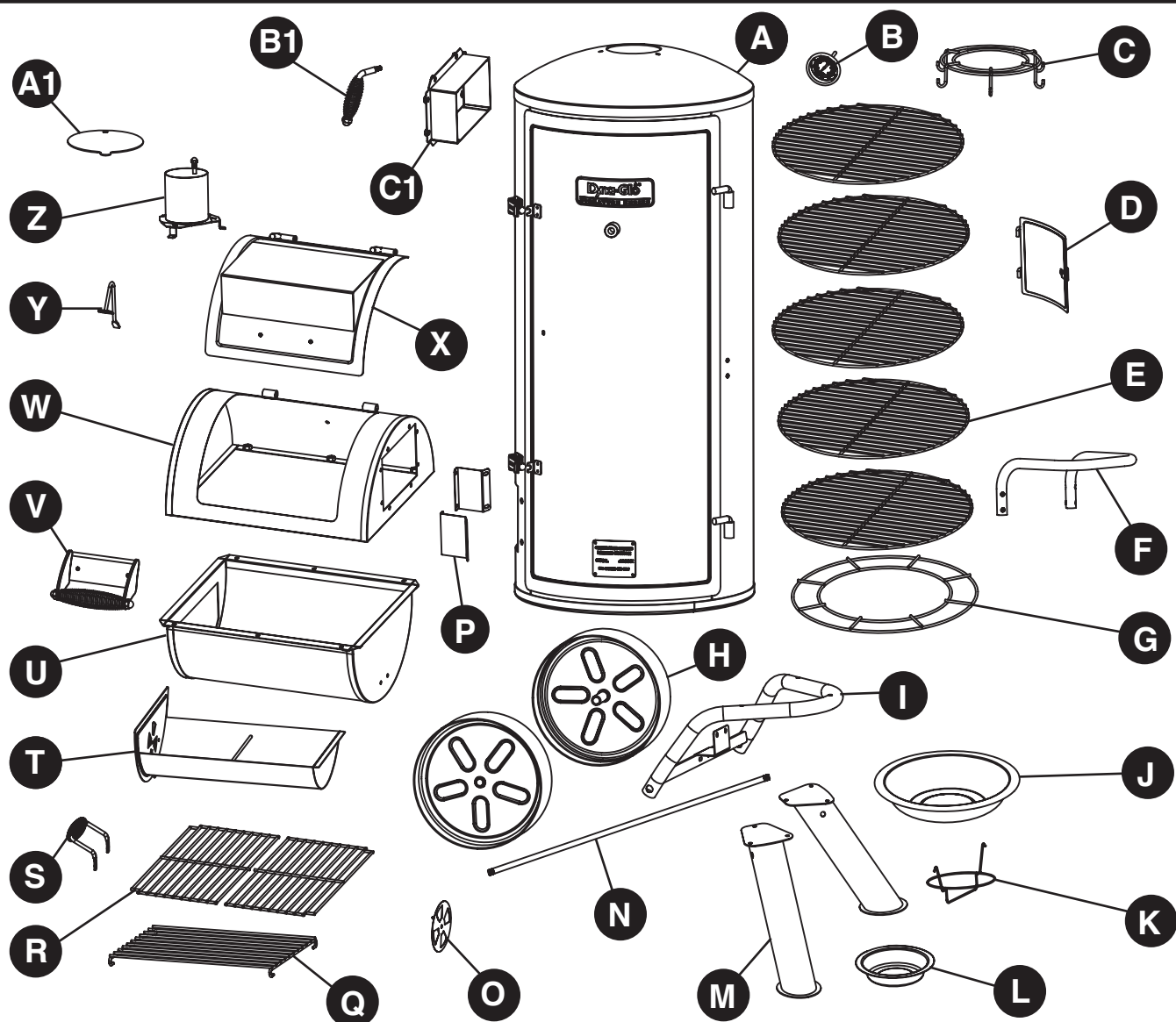
---

- **NO** utilice ni guarde esta unidad en un área a la que podrían acceder niños o mascotas. Guarde esta unidad en un lugar seco y protegido.
- **NO** deje desatendida la unidad mientras está en uso.
- **NO** deje desatendidas las cenizas calientes hasta que la unidad no se enfríe completamente.
- **NO** mueva la unidad mientras está encendida o mientras las cenizas están calientes. Deje que la unidad se enfríe completamente antes de moverla o guardarla.
- **NUNCA** utilice gasolina, kerosene, líquido combustible Zippo/Ronson ni otros líquidos altamente volátiles para encender la unidad.
- Siempre cocine los alimentos sobre la parrilla una vez que la llama se haya apagado.
- Deseche las cenizas frías envolviéndolas en una hoja de aluminio resistente y colocándolas en un contenedor no combustible. Asegúrese de que no haya otros materiales combustibles adentro o cerca del contenedor.
- Si debe desechar las cenizas antes de que estén completamente frías, quite las cenizas de la unidad utilizando guantes termorresistentes junto con una pinza de metal larga o una pala para hogar. Coloque las brasas en una hoja de aluminio y mójelas por completo con agua antes de desecharlas en un contenedor no combustible.
- Deje que la unidad se enfríe completamente antes de realizar la limpieza o el mantenimiento de rutina.
- Este producto estará caliente durante y después del uso. Utilice manoplas o guantes aislantes para horno para protegerse de las superficies calientes o de las salpicaduras de los líquidos que se estén cocinando.
- Tenga precaución al abrir la puerta principal y la tapa del conjunto lateral de la unidad durante el funcionamiento. Protéjase las manos, el rostro y el cuerpo del vapor caliente o de las llamaradas. **NO** inhale humo.
- **NO** use vestimentas sueltas mientras cocina en la unidad. Sujétese el cabello hacia atrás mientras cocina.
- **SIEMPRE** use calzado que le cubra completamente los pies mientras cocina en la unidad.
- **NUNCA** use vajilla de cristal ni utensilios de plástico o cerámica sobre ni adentro de la unidad. Use utensilios metálicos únicamente.
- El uso de accesorios que no están diseñados para esta unidad no es recomendable y podría causar lesiones personales o daños materiales.
- Lea y respete todas las advertencias e instrucciones antes de ensamblar y utilizar el ahumador y parrilla.

### PROPOSICIÓN 65 DE CALIFORNIA

Los combustibles utilizados en los artefactos que queman madera y carbón, así como los productos de la combustión de esas sustancias, contienen productos químicos que, según el estado de California, pueden provocar cáncer, anomalías congénitas u otros daños reproductivos. Este producto contiene productos químicos, como plomo y compuestos de plomo, que, según el estado de California, pueden provocar cáncer, anomalías congénitas u otros daños reproductivos. **Lávese las manos después de manipular estos productos.**

## CONTENIDO DEL PAQUETE



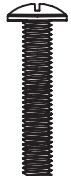
PIEZA	DESCRIPCIÓN	CANTIDAD
A	Estructura del ahumador	1
B	Indicador de temperatura con tuerca	1
C	Ganchos para salchichas	1
D	Puerta de acceso lateral	1
E	Rejilla para cocinar - estructura del ahumador	5
F	Manija lateral - estructura del ahumador	1
G	Soporte del contenedor de agua	1
H	Rueda - izquierda/derecha	2
I	Conjunto de patas izquierdas	1
J	Contenedor de agua	1
K	Soporte de la grasera	1
L	Grasera	1
M	Pata derecha: frontal/trasera	2
N	Eje de las ruedas	1
O	Plato regulador de tiro del conjunto lateral	1

PIEZA	DESCRIPCIÓN	CANTIDAD
P	Abrazadera de acoplamiento del conjunto lateral	2
Q	Rejilla para carbón	1
R	Rejilla para cocinar - conjunto lateral	2
S	Manija lateral - bandeja de acceso	1
T	Bandeja de acceso	1
U	Sección inferior del conjunto lateral	1
V	Manija de la tapa del conjunto lateral	1
W	Sección superior del conjunto lateral	1
X	Tapa del conjunto lateral	1
Y	Abrazadera de la tapa del conjunto lateral	1
Z	Chimenea	1
A1	Regulador de tiro de la chimenea	1
B1	Conjunto de la manija de la puerta	1
C1	Acoplamiento de la cámara de combustión del conjunto lateral	1

## HERRAMIENTAS Y TORNILLERÍA

---

AA



Perno  
M6 x 30

Cant. 4

BB



Perno  
M6 x 12

Cant. 33

CC



Perno  
M6 x 45

Cant. 3

DD



Tuerca M6

Cant. 9

EE



Tuerca M12

Cant. 2

FF



Contratuerca M6

Cant. 1

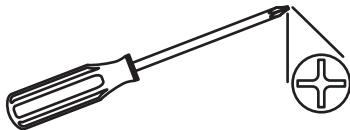
## PREPARACIÓN

---

Antes de comenzar a ensamblar el producto, asegúrese de tener todas las piezas. Compare las piezas con la lista del contenido del paquete, y con las herramientas y tornillería que figuran más arriba. No intente ensamblar el producto si falta una pieza o hay una pieza dañada. Comuníquese con el servicio de atención al cliente para obtener las piezas de repuesto.

**Tiempo estimado para el ensamblaje: 30 minutos**

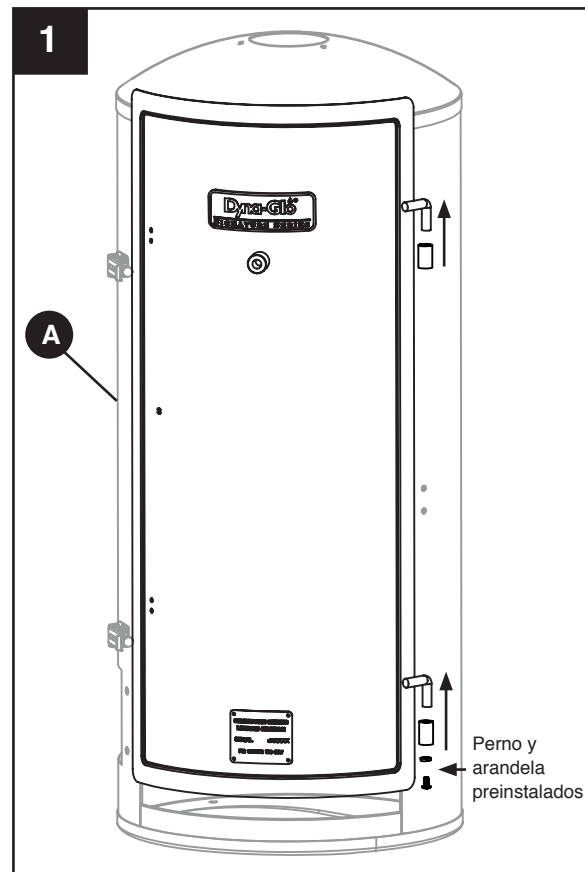
Herramientas requeridas para el ensamblaje (no incluidas): destornillador Phillips, llave ajustable



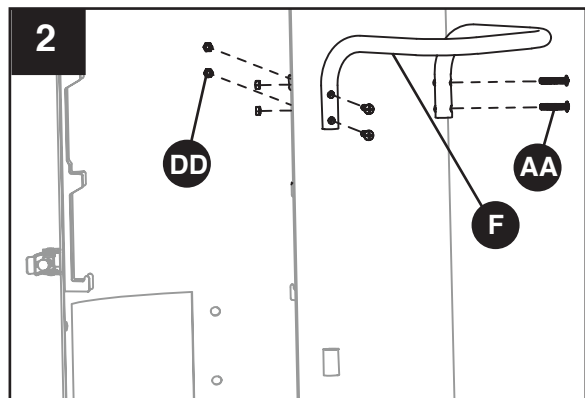
## INSTRUCCIONES DE ENSAMBLAJE

**⚠ PRECAUCIÓN:** esta unidad es PESADA. No intente colocar la unidad en posición vertical sin ayuda.



1. Quite el perno y la arandela preinstalados de la bisagra inferior de la puerta de la estructura del ahumador (A). Destabe la puerta del ahumador y tire hacia arriba para sacarla de las bisagras de la estructura del ahumador (A).



2. Instale la manija lateral (F) utilizando cuatro pernos M6 x 30 (AA) y cuatro tuercas M6 (DD).



### Herramientas y tornillería utilizadas

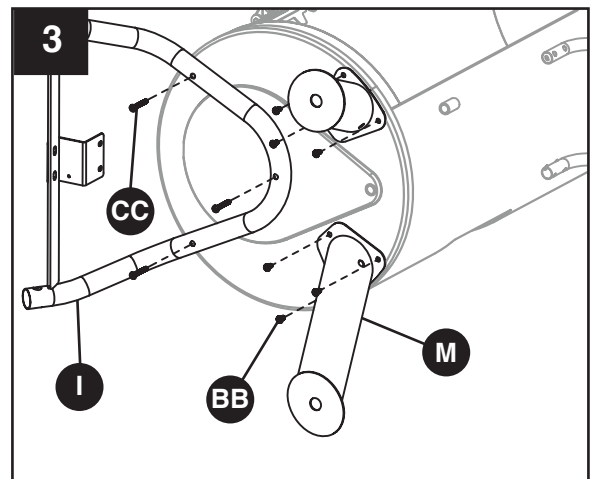
<b>AA</b>	Perno M6 x 30 mm		x 4
<b>DD</b>	Tuerca M6		x 4



## INSTRUCCIONES DE ENSAMBLAJE

3. **⚠ PRECAUCIÓN: esta unidad es PESADA. No intente colocar la unidad de costado sin ayuda.**

Fije la pata frontal derecha y la pata trasera derecha (M) utilizando tres pernos M6 x 12 (BB) en cada pata. Fije el conjunto de patas izquierdas (I) utilizando tres pernos M6 x 45 (CC).



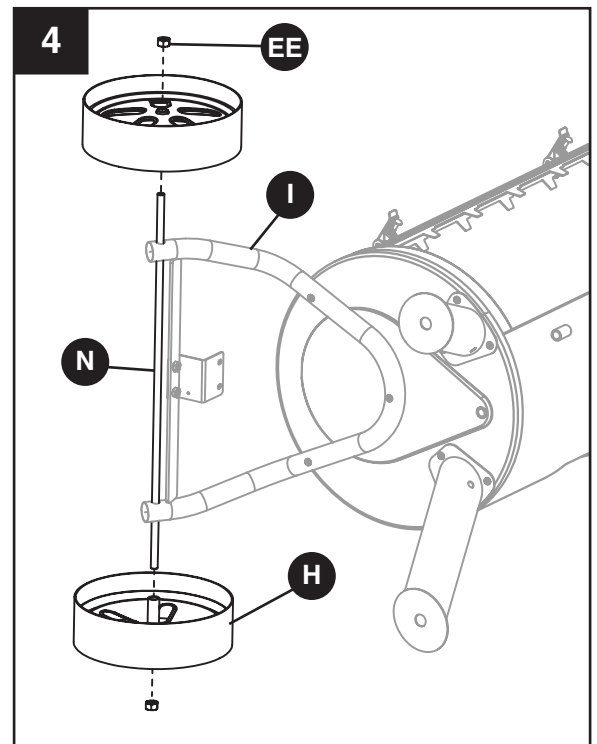
### Herramientas y tornillería utilizadas

<b>BB</b>	Perno M6 x 12 mm		x 6
<b>CC</b>	Perno M6 x 45 mm		x 3

4. Inserte el eje de las ruedas (N) en los orificios del conjunto de patas izquierdas (I) y fije las ruedas izquierda y derecha (H) utilizando una tuerca M12 (EE) en cada lado.

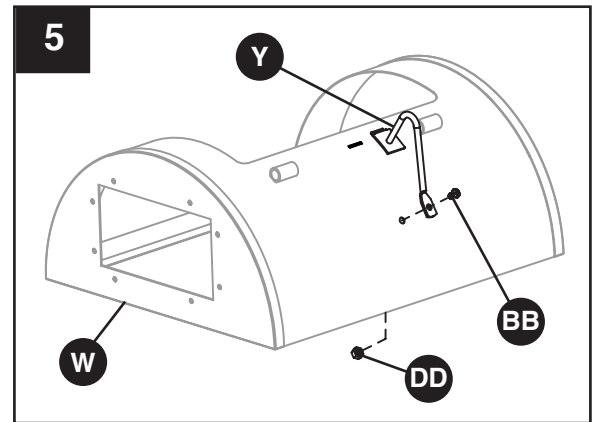
### Herramientas y tornillería utilizadas

<b>EE</b>	Tuerca M12		x 2
-----------	------------	--	-----





## INSTRUCCIONES DE ENSAMBLAJE

5. Inserte el borde de la abrazadera de la tapa del conjunto lateral (Y) en la apertura ranurada de la sección superior del conjunto lateral (W). Fijela utilizando un perno M6 x 12 (BB) y una tuerca M6 (DD).




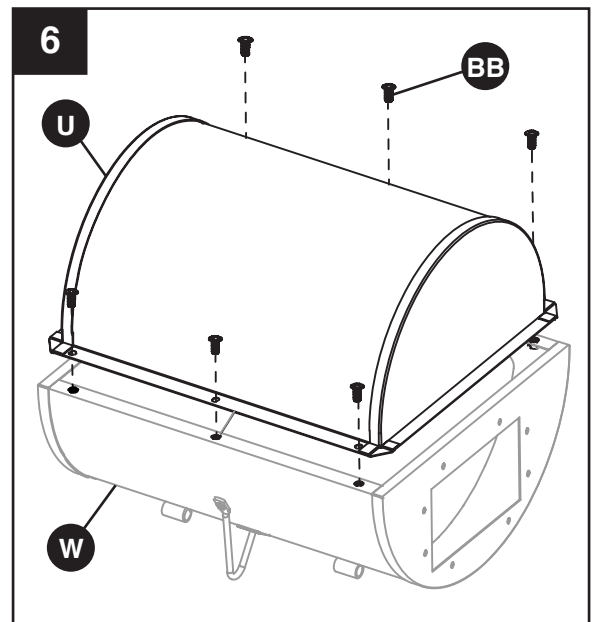
### Herramientas y tornillería utilizadas

<b>BB</b>	Perno M6 x 12 mm		x 1
<b>DD</b>	Tuerca M6		x 1

6. Fije la sección inferior del conjunto lateral (U) a la sección superior (W) utilizando seis pernos M6 x 12 (BB).

### Herramientas y tornillería utilizadas

<b>BB</b>	Perno M6 x 12 mm		x 6
-----------	---------------------	---	-----

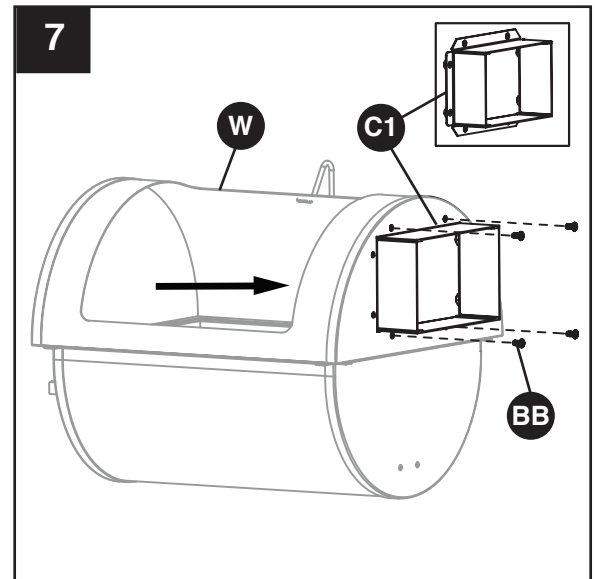


## INSTRUCCIONES DE ENSAMBLAJE

7. Inserte el acoplamiento de la cámara de combustión del conjunto lateral (C1) en la apertura de la sección superior del conjunto lateral (W) y fíjelo con cuatro pernos M6 x 12 (BB).

### Herramientas y tornillería utilizadas

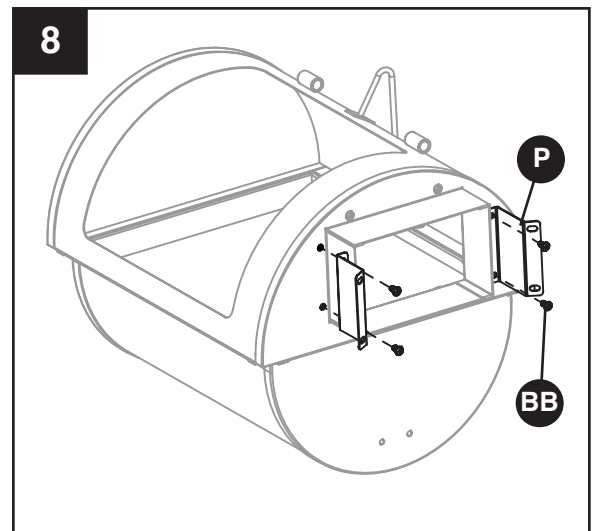
- BB** Perno M6 x 12 mm  x 4



8. Fije las abrazaderas de acoplamiento del conjunto lateral (P) utilizando cuatro pernos M6 x 12 (BB).

### Herramientas y tornillería utilizadas

- BB** Perno M6 x 12 mm  x 4




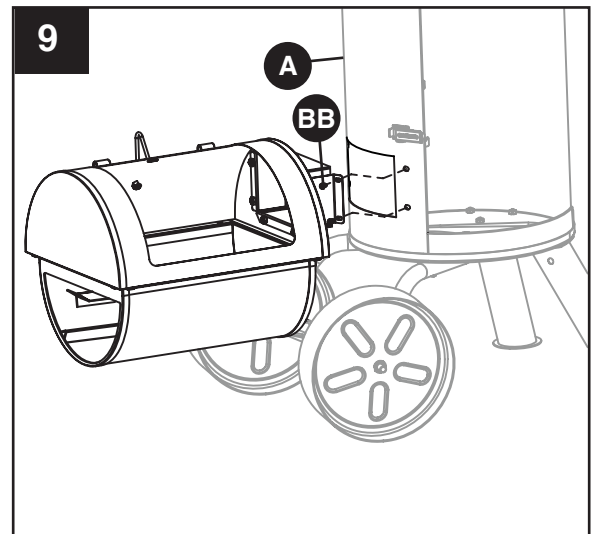
## INSTRUCCIONES DE ENSAMBLAJE

9. **⚠ PRECAUCIÓN: esta unidad es PESADA. No intente colocar la unidad en posición vertical sin ayuda.**

Fije la cámara de combustión del conjunto lateral a la estructura del ahumador (A) utilizando cuatro pernos M6 x 12 (BB).

### Herramientas y tornillería utilizadas

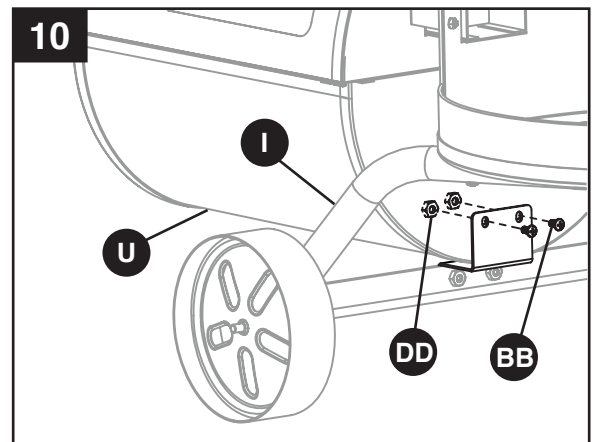
<b>BB</b>	Perno M6 x 12 mm		x 4
-----------	---------------------	---	-----



10. Acople la abrazadera de soporte del conjunto lateral preinstalada en el conjunto de patas izquierdas (I) a la sección inferior del conjunto lateral (U) utilizando dos pernos M6 x 12 (BB) y dos tuercas M6 (DD).

### Herramientas y tornillería utilizadas

<b>BB</b>	Perno M6 x 12 mm		x 2
<b>DD</b>	Tuerca M6		x 2

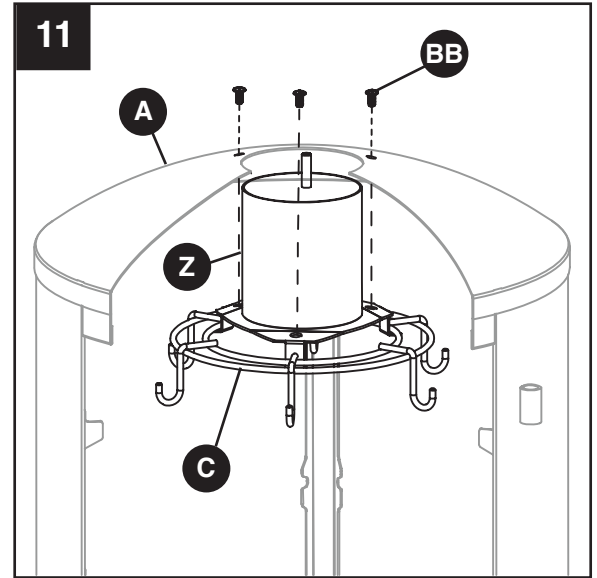


## INSTRUCCIONES DE ENSAMBLAJE

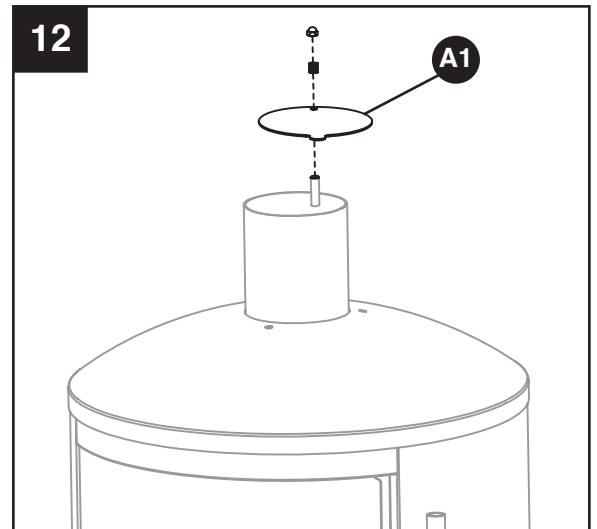
11. Apoye el aro interno de los ganchos para salchichas (C) en las abrazaderas inferiores de la chimenea (Z). Inserte la chimenea (Z) en la apertura de la parte superior de la estructura del ahumador (A) y fíjela con tres pernos M6 x 12 (BB).

### Herramientas y tornillería utilizadas

**BB** Perno M6 x 12 mm  x 3

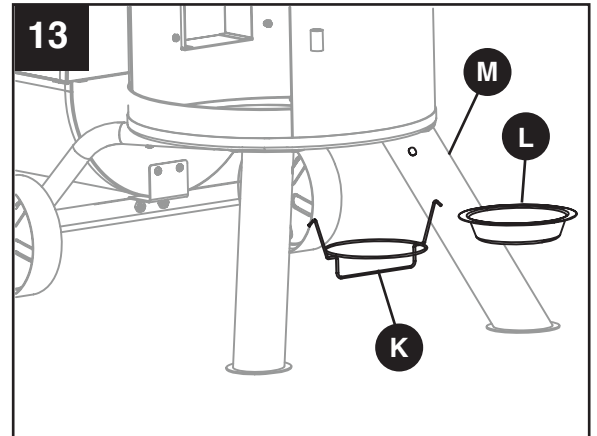


12. Coloque el regulador de tiro de la chimenea (A1) utilizando el resorte y la tuerca preinstalados.

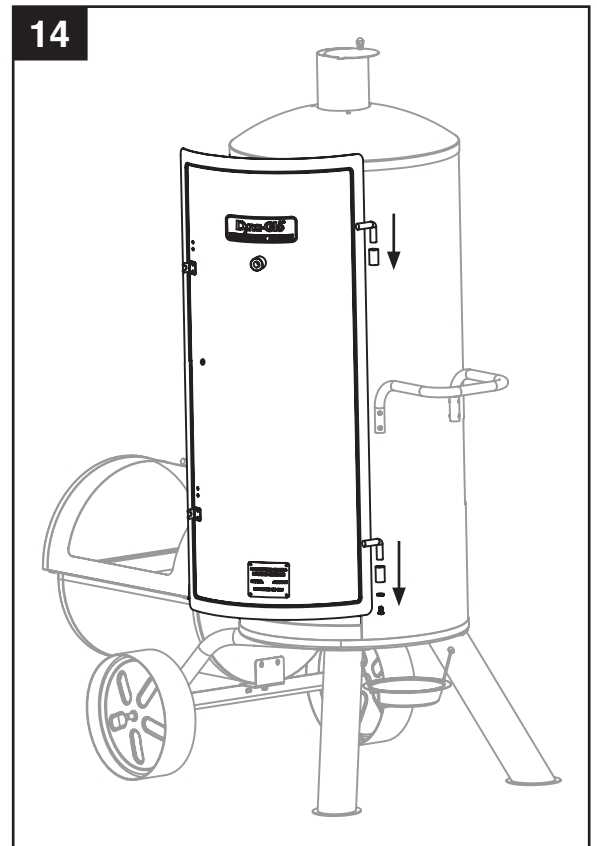


## INSTRUCCIONES DE ENSAMBLAJE

13. Cuelgue el soporte de la grasera (K) en los orificios de cada una de las patas derechas (M). Coloque la grasera (L) en el soporte (K).

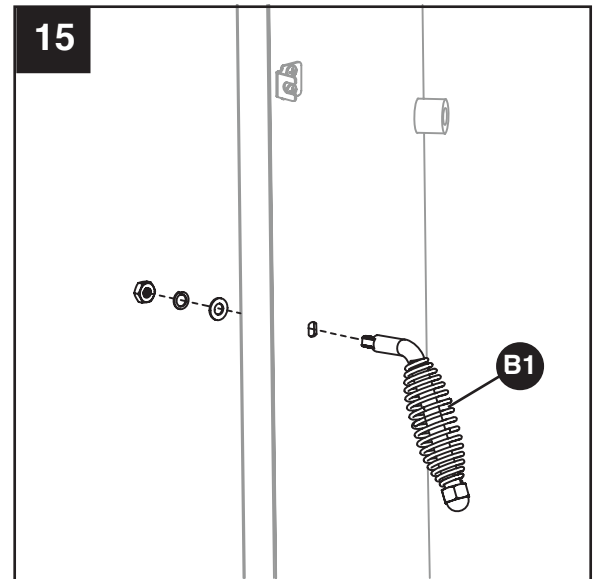


14. Instale la puerta de la estructura del ahumador y vuelva a colocar el perno y la arandela preinstalados.



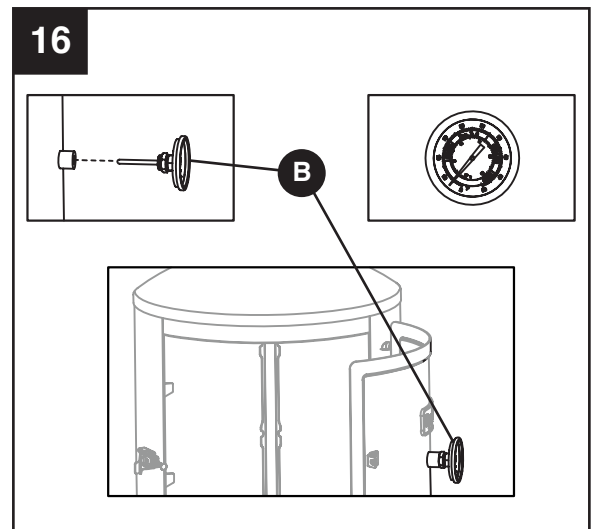
## INSTRUCCIONES DE ENSAMBLAJE

15. Instale el conjunto de la manija de la puerta (B1) utilizando la arandela plana, la arandela de resorte y la tuerca M8 preinstaladas.



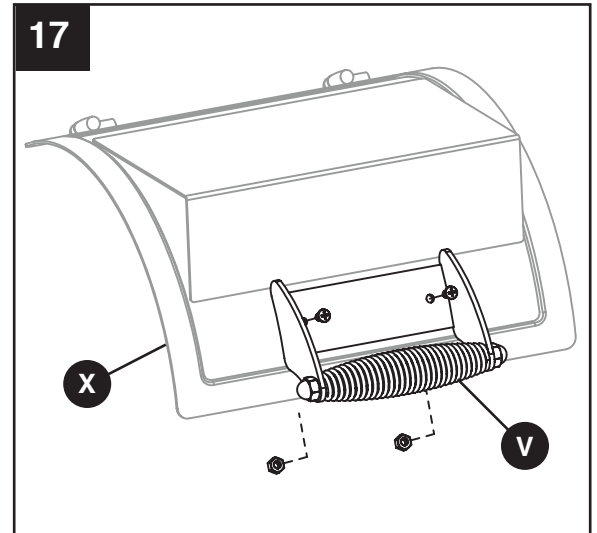
16. Coloque el indicador de temperatura (B) insertando la sonda térmica en el orificio roscado de la puerta de la estructura del ahumador y girando en el sentido de las agujas del reloj.

**NOTA:** la alineación del indicador de temperatura se puede ajustar girando la tuerca preinstalada en el sentido de las agujas del reloj (o en sentido contrario) antes de instalar.

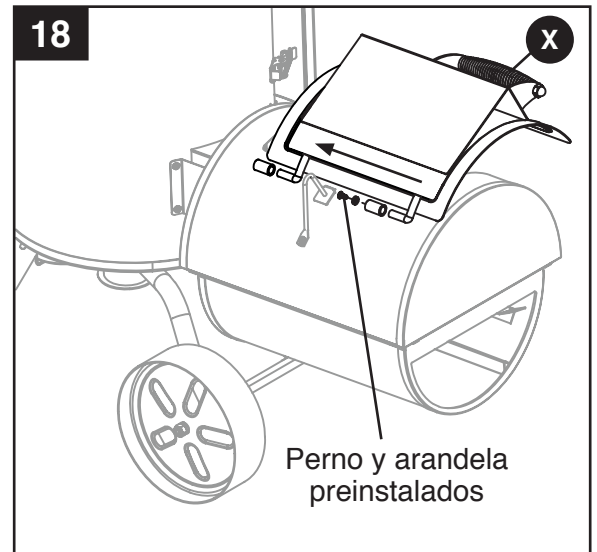


## INSTRUCCIONES DE ENSAMBLAJE

17. Fije la manija de la tapa del conjunto lateral (V) a la tapa del conjunto lateral (X) utilizando los pernos y las tuercas preinstalados.



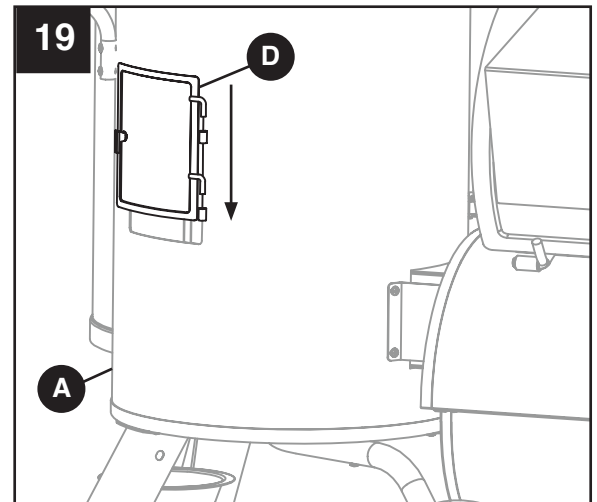
18. Fije la tapa del conjunto lateral (X) a la cámara de combustión del conjunto lateral utilizando el perno y la tuerca preinstalados.



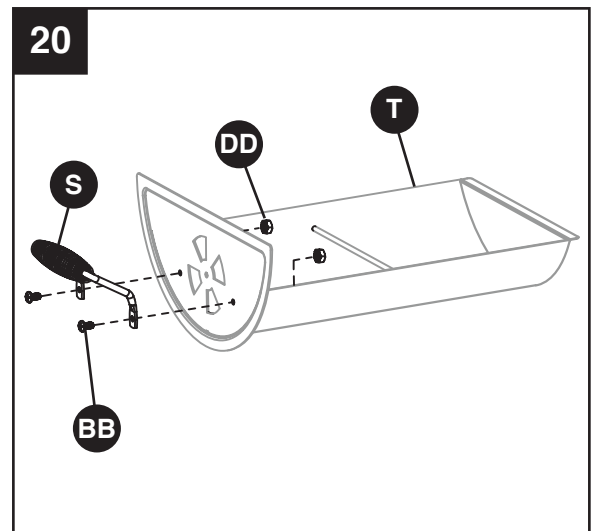


## INSTRUCCIONES DE ENSAMBLAJE

19. Instale la puerta de acceso lateral (D) en la estructura del ahumador (A).



20. Fije la manija lateral (S) a la bandeja de acceso (T) utilizando dos pernos M6 x 12 (BB) y dos tuercas M6 (DD).





### Herramientas y tornillería utilizadas

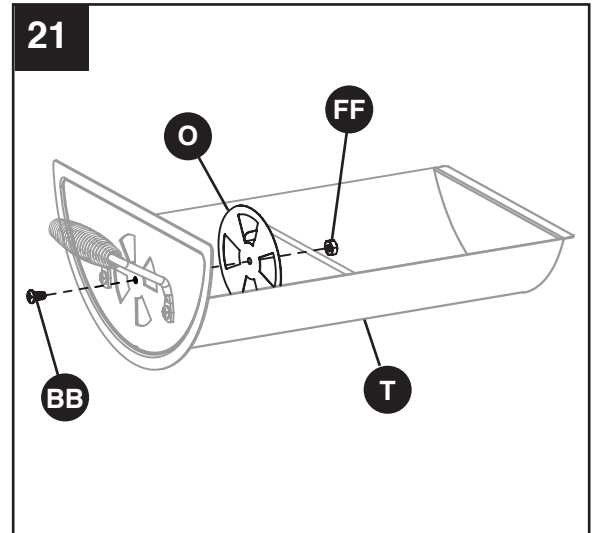
<b>BB</b>	Perno M6 x 12 mm		x 2
<b>DD</b>	Tuerca M6		x 2

## INSTRUCCIONES DE ENSAMBLAJE

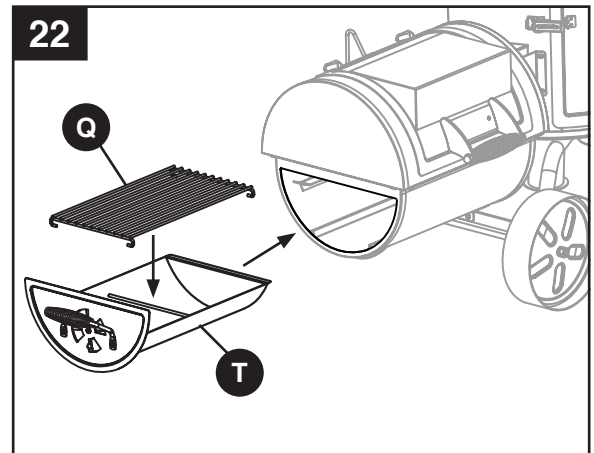
21. Fije el plato regulador de tiro del conjunto lateral (O) a la bandeja de acceso (T) utilizando un perno M6 x 12 (BB) y una contratuerca M6 (FF).

### Herramientas y tornillería utilizadas

<b>BB</b>	Perno M6 x 12 mm		x 1
<b>FF</b>	Contratuerca M6		x 1



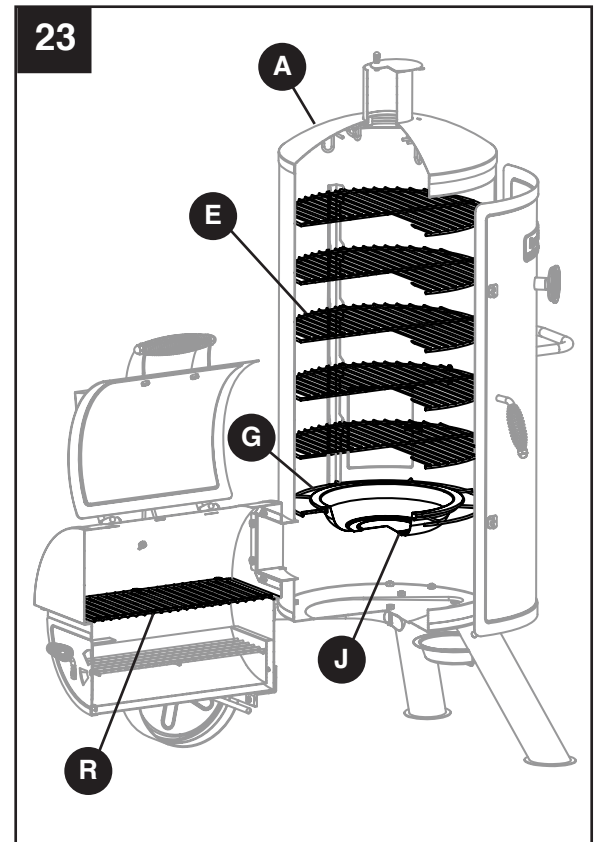
22. Coloque la rejilla para carbón (Q) dentro de la bandeja de acceso (T) y deslice la bandeja hacia el interior de la caja de combustión del conjunto lateral.



### 23. Cómo instalar las rejillas para cocinar y el contenedor de agua

Instale las rejillas para cocinar del conjunto lateral (R) en la cámara de combustión del conjunto lateral. Coloque el soporte del contenedor de agua (G) en la abrazadera inferior que se encuentra en el interior de la estructura del ahumador (A) e instale el contenedor (J) en el soporte (G). Coloque las rejillas para cocinar (E) en las abrazaderas que se encuentran en el interior de la estructura del ahumador (A).

Consejo: coloque las 5 rejillas para cocinar (E) dentro de la estructura del ahumador (A) y comience desde los soportes inferiores.



## INSTRUCCIONES DE FUNCIONAMIENTO

---

### ANTES DE UTILIZAR LA UNIDAD POR PRIMERA VEZ

Quite todas las presillas o las fajas de plástico, si están presentes.

Es importante "curar" el ahumador y parrilla antes de cocinar alimentos. Este proceso sella la pintura y el interior para mejorar el sabor, la durabilidad y el rendimiento en general.

Para curar el ahumador y parrilla, simplemente utilícelo como lo haría normalmente pero sin agregar alimentos. Deberá seguir los procedimientos de encendido y funcionamiento de las secciones siguientes de este manual.

Utilizando adobos o maderas que aportan un sabor especial, haga funcionar el ahumador a baja temperatura (aproximadamente 175 °F/79,4 °C) durante 45 a 60 minutos. Deje que el ahumador se enfríe y retire la viruta de madera y el carbón.

Una vez que se haya curado, la estructura del ahumador y el interior del conjunto lateral tendrán un recubrimiento curado duradero.

### Instrucciones de encendido (para ahumar o asar con carbón)

**NO UTILICE CARBÓN TRATADO PREVIAMENTE CON LÍQUIDO ENCENDEDOR en este ahumador.** Utilice solo carbón grueso o briquetas estándar sin tratamiento y utilice SOLO líquido aprobado para encender carbón. No utilice líquido combustible, solventes para pintura, gasolina, kerosene, alcohol ni otros materiales inflamables para encender el carbón. **Si se utiliza carbón con líquido encendedor, se podrían ocasionar daños en la unidad.**

**Comience con al menos 4 lb (1,8 kg) de carbón (75 briquetas estándar).**

Realice los ajustes necesarios cuando cocina en climas fríos, cuando hay mucho viento y/o cuando hay una cantidad considerable de precipitaciones.

#### Paso 1

Nota: consulte la cantidad de líquido para encender carbón recomendada por el fabricante antes de aplicar el líquido a las briquetas. Para agregar carbón a la cámara de combustión del conjunto lateral, se pueden quitar las rejillas para cocinar del conjunto lateral o se puede retirar la bandeja de acceso lateral. Apile el carbón en el medio de la rejilla para carbón del conjunto lateral. Las briquetas deben estar apiladas muy juntas para que se quemem con la máxima eficiencia. Empape el carbón con la cantidad de líquido para encender carbón recomendada por el fabricante del líquido. Luego de empapar el carbón, coloque el líquido para encender carbón a una distancia segura del ahumador. Deje que el líquido penetre en el carbón durante 3 minutos antes de encender.

#### Paso 2

Con **la puerta de la cámara de combustión principal y la tapa del conjunto lateral abiertas**, aléjese de la unidad, encienda cuidadosamente el carbón y deje que se queme hasta que quede cubierto de ceniza encendida (aproximadamente 20 minutos). Antes de cerrar la puerta de la cámara de combustión principal y la tapa del conjunto lateral, debe dejar que el líquido para encender carbón se haya quemado completamente. (Si la puerta principal y la tapa del conjunto lateral se cierran, el humo tenderá a acumularse en ambas cámaras de combustión).

## INSTRUCCIONES DE FUNCIONAMIENTO

---

### Instrucciones de encendido (continuación)

#### Paso 3

Después de 20 a 25 minutos, el carbón estará listo para cocinar y/o agregarle viruta de madera. Consulte la sección siguiente antes de agregar viruta de madera al carbón preencendido.

**⚠ PELIGRO:** si la puerta de la estructura del ahumador y la tapa del conjunto lateral se cierran durante el procedimiento de encendido, el humo proveniente del líquido para encender carbón podría quedar atrapado en las estructuras del ahumador y se podría producir una combustión o explosión al abrir la puerta, lo que podría provocar pérdidas materiales, lesiones personales o la muerte. Nunca intente agregar más líquido encendedor al carbón una vez que se haya encendido.

### CÓMO AGREGAR VIRUTA DE MADERA (ANTES Y DURANTE LA COCCIÓN)

**⚠ ADVERTENCIA:** tenga precaución para evitar que se genere una llamarada cuando el aire fresco entra en contacto con el fuego. Al abrir la puerta, mantenga las manos, el rostro y el cuerpo a una distancia prudente del vapor caliente y las llamas.

#### Viruta de madera previamente remojada

Remoje la cantidad de viruta de madera deseada en agua durante 30 minutos. Envuelva la viruta de madera en una hoja de aluminio y realice orificios en la parte superior del envoltorio. **SIGA LOS PASOS QUE FIGURAN A CONTINUACIÓN ANTES DE AGREGAR VIRUTA DE MADERA PREVIAMENTE REMOJADA.**

#### Viruta de madera seca

La viruta de madera seca se puede colocar directamente en el carbón preencendido, con o sin la hoja de aluminio.

**SIGA LOS PASOS QUE FIGURAN A CONTINUACIÓN ANTES DE AGREGAR VIRUTA DE MADERA SECA.**

La cantidad y el tipo de madera utilizada dependen completamente de la intensidad de sabor que se desea lograr. Consulte el gráfico de la página siguiente para obtener consejos sobre cómo combinar la viruta de madera con distintos tipos de alimentos.

#### Paso 1

Aléjese de la unidad y abra cuidadosamente la tapa del conjunto lateral para dejar escapar el calor y el vapor. Tenga precaución para evitar que se genere una llamarada cuando el aire fresco entra en contacto con el fuego. Para agregar madera, se pueden quitar las rejillas para cocinar utilizando manoplas o guantes resistentes a las llamas O se puede utilizar la bandeja lateral extraíble.

#### Paso 2

Con manoplas o guantes resistentes a las llamas y utilizando una pinza de metal larga, aparte ligeramente las cenizas de las brasas. Utilice la pinza de metal larga para agregar viruta de madera (y/o carbón) directamente sobre el carbón. Tenga cuidado de no agitar las cenizas ni las chispas.

**⚠ ADVERTENCIA:** nunca agregue líquido para encender carbón a las brasas calientes, y ni siquiera a las brasas templadas, porque el retroceso de la llama podría causar quemaduras graves.

#### Paso 3

Permita que las cenizas se enfríen completamente antes de volver a utilizar o limpiar el ahumador.

## CONSEJOS PARA AHUMAR

El proceso para ahumar alimentos es distinto del proceso para asar alimentos. En general, el proceso para ahumar se realiza lentamente y a una temperatura más baja que el proceso para asar. El humo producido por la madera penetra en la carne dándole ese exquisito sabor ahumado. El proceso para asar es un proceso de cocción mucho más rápido que se realiza a temperaturas más altas.

- La viruta pequeña funciona mejor adentro de la bandeja para viruta.
- Utilice madera dura seca como nogal, pecán, manzano, cerezo o mezquite.
- Para producir más humo y evitar el quemado rápido, sumerja la viruta previamente en un recipiente con agua durante al menos 30 minutos y/o envuélvala en una hoja de aluminio perforada.
- La mayor parte del sabor ahumado se produce durante la primera hora de cocción. **En general, no es necesario agregar viruta de madera después de la primera hora, a menos que se desee lograr un sabor ahumado extra.**

A continuación, se muestra una lista de las maderas más utilizadas para ahumar y algunos datos sobre cada tipo.

Tipo de madera	Alimento sugerido	Comentarios
Manzano	Todas las carnes	Sabor suave y dulce con un leve toque de sabor frutal. Cada una de las especies de madera de manzano ofrecerá un sabor ligeramente diferente. El humo del manzano produce un atractivo efecto dorado.
Almendro	Todas las carnes	Produce un humo dulce con un sabor almendrado natural.
Fresno	Pescado y carnes rojas	Sabor muy suave.
Cítrico	Cerdo y pollo	La madera de limonero y naranjo produce un suave sabor frutal.
Cerezo	Cerdo y carne de vaca	Sabor suave y frutal.
Madera de frutal	Cerdo, aves de corral y pescado	Las maderas como las del duraznero, del peral y del ciruelo producen un suave y dulce humo con un toque de sabor frutal.
Parra	Aves de corral, carne de caza y cordero	La madera de parra produce mucho humo. Una pequeña cantidad dura mucho. Produce un sabor agrio con un toque de sabor frutal.
Nogal	Cerdo y carne de vaca	Se podría decir que el nogal es la madera favorita para ahumar. El nogal produce un sabor muy fuerte por lo que recomendamos comenzar lentamente con esta madera.
Arce	Cerdo y aves de corral	Suave y dulce.
Mezquite	Carne de vaca, pollo y pescado	Tenga cuidado porque esta madera alcanza mucha temperatura. Al igual que el nogal, el mezquite es muy utilizado y produce un sabor fuerte.
Roble	Carnes rojas, carne de caza, costillas y pescado	Otra madera que produce un humo pesado. Comience lentamente con esta madera.
Pecán	Costillas y carnes rojas	Produce un humo leve que ofrece un sabor dulce a nueces.

## TEMPERATURAS SUGERIDAS PARA AHUMAR Y PARA LA CARNE

### Temperaturas para ahumar

Una temperatura precisa para ahumar es fundamental para cocinar los alimentos de forma segura cuando no se dispone de una sonda térmica para carne. Tenga en cuenta que el indicador de temperatura instalado de fábrica es una herramienta aceptable para ahumar alimentos, pero no siempre es el medio ideal para medir la temperatura más precisa para ahumar ya que las temperaturas internas del ahumador pueden variar entre la rejilla para cocinar superior y la rejilla inferior. También tenga en cuenta que las sondas térmicas utilizadas en la mayoría de los indicadores están diseñadas para medir la temperatura en la punta de la sonda y no la temperatura total del ahumador.

Como alternativa, se recomienda que los usuarios adquieran, como accesorio, un indicador de temperatura listo para horno o un termómetro para carne. Los termómetros para carne son la manera más eficaz de determinar cuándo los alimentos están cocidos a la temperatura mínima requerida para el consumo seguro. Consulte el siguiente cuadro para conocer las temperaturas de cocción.

### TEMPERATURAS SUGERIDAS PARA AHUMAR

	Temperaturas sugeridas para ahumar	Temperaturas mínimas seguras
<b>Carne, aves de corral, pescado</b>		
<b>Carne de vaca, ternera y cordero (piezas y cortes enteros)</b>		
Jugosa	225 °F (107,2 °C)	145 °F (63 °C)
A punto	225 °F (107,2 °C)	160 °F (71 °C)
Bien cocida	225 °F (107,2 °C)	170 °F (77 °C)
<b>Cerdo (jamón, lomo, costillas)</b>		
Cerdo (piezas y cortes enteros)	225 °F - 240 °F (107,2 °C - 115,6 °C)	160 °F (71 °C)
<b>Carne picada y mezcla de carnes (hamburguesas, salchichas, albóndigas, pastel de carne, guisados y carne de vaca tiernizada mecánicamente)</b>		
Carne de vaca, ternera (incluida la carne de vaca tiernizada mecánicamente), cordero y cerdo	250 °F - 300 °F (121 °C - 149 °C)	160 °F (71 °C)
Aves de corral (pollo y pavo)	250 °F - 300 °F	165 °F (74 °C)
<b>Aves de corral (pollo, pavo, pato)</b>		
Piezas	250 °F (121 °C)	165 °F (74 °C)
Entero	240 °F (115,6 °C)	185 °F (85 °C)
<b>Pescado y mariscos</b>		
Pescado	225 °F - 240 °F (107,2 °C - 115,6 °C)	158 °F (70 °C)
Mariscos (camarón, langosta, cangrejo, vieiras, almejas, mejillones y ostras)	225 °F - 240 °F (107,2 °C - 115,6 °C)	165 °F (74 °C)
<b>Dado que es difícil utilizar un termómetro de alimentos para verificar la temperatura de los mariscos, deseche los mariscos que no se abren durante la cocción.</b>		

	Temperaturas sugeridas para ahumar	Temperaturas mínimas seguras
<b>Carne de caza</b>		
<b>Chuletas, filetes y asado (ciervo, alce, alce americano, caribú/reno, antílope y antilocapra)</b>		
Bien cocida	225 °F (107,2 °C)	170 °F (77 °C)
<b>Caza mayor</b>		
Oso, bisonte, buey almizclero, morsa, etc.	250 °F - 300 °F (121 °C - 149 °C)	165 °F (74 °C)
<b>Caza menor</b>		
Conejo, rata almizclera, castor, etc.	225 °F - 240 °F (107,2 °C - 115,6 °C)	165 °F (74 °C)
<b>Carne picada</b>		
Carne picada y mezcla de carnes	250 °F - 300 °F (121 °C - 149 °C)	165 °F (74 °C)
Carne de venado picada y salchicha	250 °F - 300 °F (121 °C - 149 °C)	165 °F (74 °C)
<b>Aves de caza/aves acuáticas (pavo salvaje, pato, ganso, perdiz y faisán)</b>		
Entero	250 °F (121 °C)	180 °F (82 °C)
Pechugas y asado	250 °F (121 °C)	165 °F (74 °C)
Muslos, alas	250 °F (121 °C)	165 °F (74 °C)
Relleno (cocinado solo o en el ave)	250 °F (121 °C)	165 °F (74 °C)

## CUIDADO Y MANTENIMIENTO

---

### SEGURIDAD Y MANTENIMIENTO DESPUÉS DEL USO

#### **ADVERTENCIA**

- Tenga precaución al levantar y mover el ahumador para evitar lesiones por esfuerzo. Se recomienda levantar o mover el ahumador entre dos personas.
- **NO** guarde el ahumador cerca de gasolina u otros líquidos combustibles o donde podría haber vapores combustibles. Asegúrese de que no haya materiales ni vapores combustibles en el área donde se encuentra el ahumador.
- **NO** guarde el ahumador en un área a la que podrían acceder niños o mascotas. Guarde el ahumador en un lugar seco y protegido.
- **NO** deje que nadie realice actividades cerca del ahumador después de haberlo utilizado sin que se haya enfriado. Se calienta durante el uso y permanece caliente por un tiempo después del uso.
- **NO** deje desatendidas las cenizas calientes hasta que el ahumador no se enfríe completamente.
- El ahumador se calienta mucho; deje que el ahumador se enfríe completamente antes de manipularlo. Deje que el ahumador se enfríe antes de extraer y limpiar la grasera.
- Deseche las cenizas frías envolviéndolas en una hoja de aluminio resistente y colocándolas en un contenedor no combustible.
- Si debe desechar las cenizas antes de que estén completamente frías, extraiga la bandeja de acceso lateral utilizando guantes termorresistentes y coloque las cenizas en una hoja de aluminio. Moje las cenizas por completo con agua antes de desecharlas en un contenedor no combustible.

#### **PRECAUCIÓN: todos los procedimientos de cuidado y mantenimiento se realizarán con el ahumador completamente frío.**

Limpie las rejillas para cocinar con agua caliente y jabonosa. Enjuague y seque bien. Si lo desea, puede cubrir las rejillas para cocinar con una pequeña capa de aceite comestible líquido o en aerosol.

Para limpiar el interior y el exterior del gabinete del ahumador, utilice solo un paño húmedo. No es recomendable realizar un lavado por aspersion con manguera. Se debe secar la humedad y asegurarse de que el interior y la parte superior del ahumador no queden húmedos. Luego de la limpieza, si lo desea, puede cubrir el interior de del gabinete del ahumador con una pequeña capa de aceite comestible líquido o en aerosol.

Si hay óxido en la superficie exterior del ahumador, limpie el área con lana de acero o tela de esmeril y utilice una pintura sólida resistente al calor.

NUNCA aplique pintura adicional en el interior del ahumador. Si hay óxido en el interior del ahumador, límpielo bien con una estopa metálica o tela de esmeril y cubra el área con una pequeña capa de aceite comestible líquido o en aerosol para minimizar la posibilidad de que se vuelva a oxidar.

Para proteger el ahumador de las condiciones climáticas, manténgalo siempre cubierto cuando está fuera de uso.



## GARANTÍA

---

Este ahumador y parrilla vertical lateral a carbón está garantizado contra piezas rotas o dañadas en el momento de la compra. Todas las piezas tienen una garantía limitada por un (1) año. La pintura tiene una garantía contra defectos por 90 días, a excepción del óxido, que podría aparecer después de varios usos.

Esta garantía no cubre los daños o problemas relacionados con la negligencia, el uso indebido o las modificaciones al artefacto. El trabajo de reparación no está cubierto.

Todas las piezas que cumplan con los requisitos de la garantía serán enviadas sin cargo a través de un medio seleccionado por GHP Group Inc. (envíos terrestres, correo de EE. UU. o servicio de encomiendas ÚNICAMENTE). Los cargos de entrega especial (es decir, entrega de segundo día, antes del mediodía, etc.) serán responsabilidad del consumidor.

Todos los reclamos bajo la garantía solo se aplican al comprador original y requieren una prueba de la compra que verifique la fecha de compra. No devuelva piezas a la dirección de GHP sin antes obtener el número de autorización de devolución emitido por nuestro servicio al cliente. Este servicio está disponible a través del número gratuito 1-877-447-4768, de lunes a viernes de 8:30 a 16:30 (hora central estándar).

Algunos estados no permiten la exclusión o limitación de daños incidentales o indirectos por el tiempo que dura una garantía implícita. Por lo tanto, es posible que las limitaciones o exclusiones mencionadas no se apliquen en su caso. Esta garantía otorga derechos legales específicos, y podría haber otros derechos aplicables según el estado.

GHP Group Inc.  
6440 W. Howard Street  
Niles, IL, EE. UU.  
60714-3302

Nombre del artículo: Ahumador vertical a carbón de gran potencia con conjunto lateral  
N.º de modelo: DGSS1382VCS/DGSS1382VCS-D

## LISTA DE PIEZAS DE REPUESTO

Para obtener piezas de repuesto, llame a nuestro Departamento de Atención al Cliente al 1-877-447-4768, de lunes a viernes de 8:30 a 16:30 (hora central estándar), o escriba a [customerservice@ghpgroupinc.com](mailto:customerservice@ghpgroupinc.com).

PIEZA	DESCRIPCIÓN	N.º DE PIEZA
1	Estructura del ahumador (sin conjunto de la puerta, cerrojo de la puerta, chimenea ni manija lateral)	70-01-526
2	Acoplamiento de la cámara de combustión del conjunto lateral	70-01-527
3	Conjunto de la manija de la puerta*	70-01-517
4	Regulador de tiro de la chimenea	70-01-522
5	Chimenea*	70-01-521
6	Abrazadera de la tapa del conjunto lateral	70-01-528
7	Tapa del conjunto lateral	70-01-529
8	Sección superior del conjunto lateral (sin tapa ni acoplamiento)	70-01-530
9	Manija de la tapa del conjunto lateral	70-01-531
10	Sección inferior del conjunto lateral	70-01-532
11	Bandeja de acceso del conjunto lateral	70-01-533
12	Manija de la bandeja del conjunto lateral	70-01-534
13	Rejilla para cocinar del conjunto lateral (1 pieza)	70-01-535
14	Rejilla para carbón del conjunto lateral	70-01-536
15	Abrazadera de acoplamiento del conjunto lateral (1 pieza)	70-01-537
16	Plato regulador de tiro del conjunto lateral	70-01-538
17	Rueda - izquierda/derecha (1 pieza)	70-01-516
18	Eje de las ruedas	70-01-513

PIEZA	DESCRIPCIÓN	N.º DE PIEZA
19	Pata derecha: frontal/trasera (1 pieza)	70-01-579
20	Grasera	70-01-539
21	Soporte de la grasera	70-01-540
22	Contenedor de agua	70-01-508
23	Conjunto de patas izquierdas	70-01-542
24	Abrazadera de soporte del conjunto lateral	70-01-541
25	Soporte del contenedor de agua	70-01-507
26	Manija lateral - estructura del ahumador	70-01-520
27	Rejilla para cocinar - estructura del ahumador (1 pieza)	70-01-506
28	Puerta de acceso lateral	70-01-543
29	Ganchos para salchichas	70-01-505
30	Indicador de temperatura*	70-01-518
31	Abrazadera del cerrojo de la puerta	70-01-523
32	Cerrojo de la puerta (1 pieza)	70-01-524
33	Puerta de la estructura del ahumador (sin placa Dyna Glo, ni cerrojo de puerta ni indicador de temperatura)	70-01-544
34	Placa Dyna-Glo	70-01-525
n/a	Paquete de herramientas y tornillería	70-09-514
n/a	Manual de instrucciones	70-10-583

\*Herramientas y tornillería incluidas

# LISTA DE PIEZAS DE REPUESTO

