

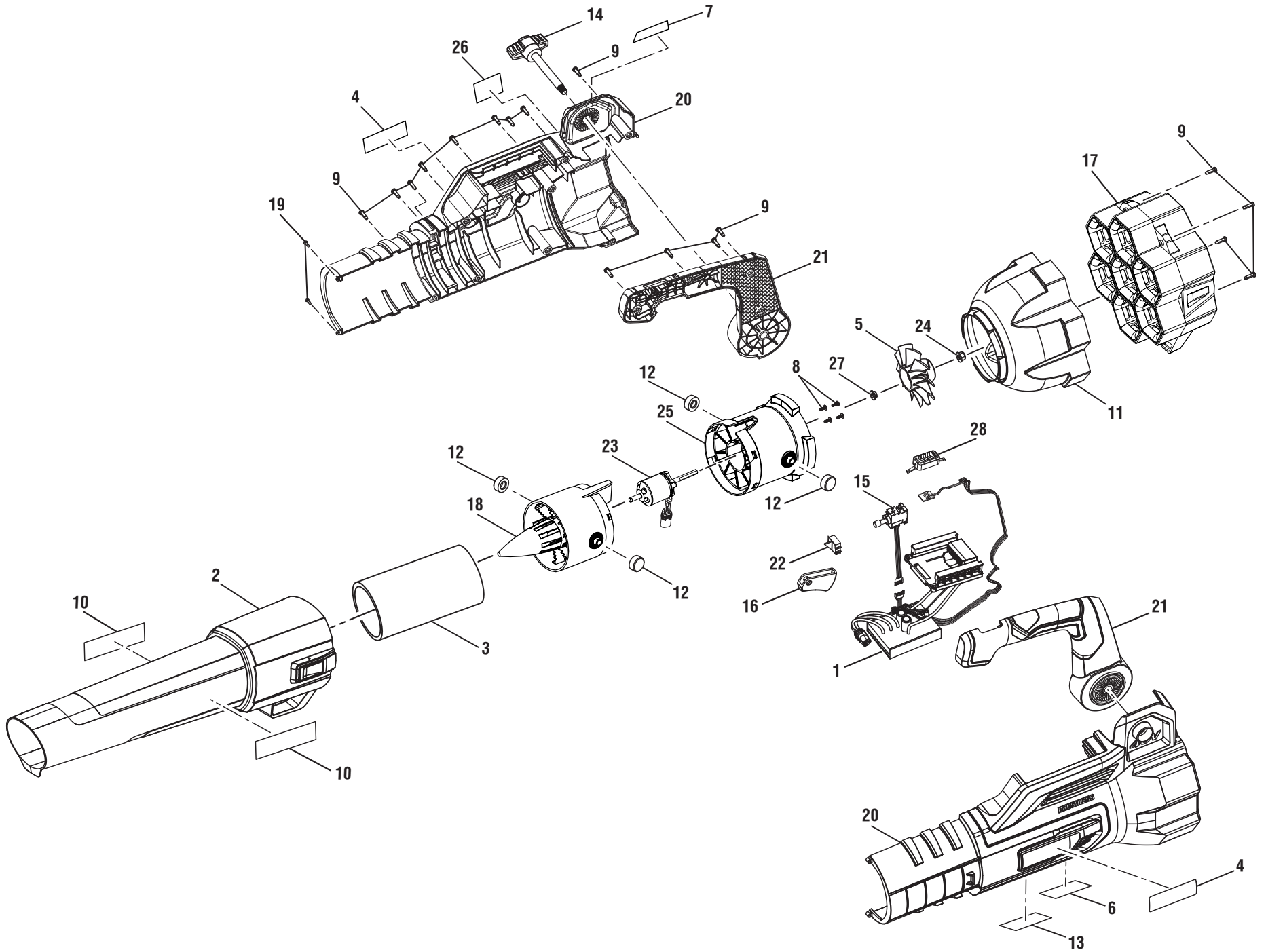
RYOBI
40 Volt Blower
Item No. RY40407VNM
Mfg. No. 107000001
Repair Sheet

TECHTRONIC INDUSTRIES POWER EQUIPMENT

P.O. Box 1288, Anderson, SC 29622 USA

1-800-860-4050 www.ryobitools.com

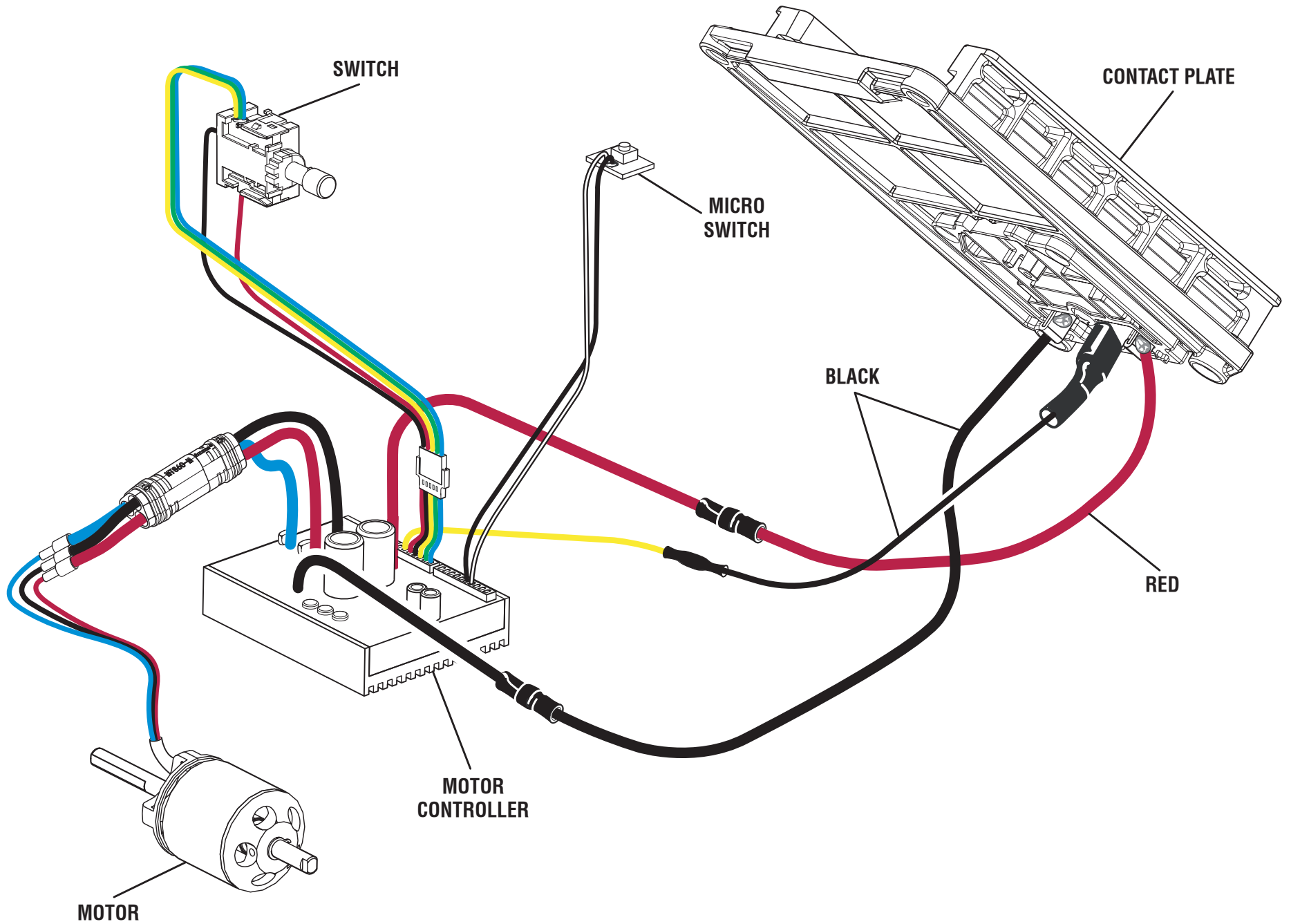
RYOBI BLOWER – ITEM NO. RY40407VNM



RYOBI BLOWER – ITEM NO. RY40407VNM

PARTS LIST

KEY NO.	PART NUMBER	DESCRIPTION	QTY
1	205315001	Motor Controller and Battery Connection Assembly	1
2	205316001	Blower Tube Assembly (Includes Key No. 10)	1
3	903802001	Sound Dampening Foam	1
4	940851557	Logo Label	2
5	539306001	Fan	1
6	940851559	Warning Label (French and Spanish)	1
7	940657333	Warning Icons Label	1
8	T662472001	Screw w/Flange (M3 x 8 mm, Hex Hd.)	4
9	661817001	Screw (M4 x 14 mm, T-15 Torx Pan Hd.)	17
10	940851558	Whisper Series Label	2
11	205318001	Inlet Bell Assembly	1
12	565463001	Rubber Cap	4
13	941588490	Data Label	1
14	539320001	Handle Knob	1
15	760952002	Variable Speed Switch	1
16	539318001	Trigger	1
17	205317001	Inlet Cover Assembly	1
18	539311001	Stator	1
19	660203001	Screw w/Wahsher (M3 x 8 mm, Pan Hd.)	2
20	205314001	Housing Assembly (Includes Key Nos. 4, 6-7, 13 and 26)	1
21	205313001	Handle Assembly	1
22	539319001	Switch Cap	1
23	742653001	Motor	1
24	678774009	Flange Lock Nut (M6)	1
25	539315001	Motor Mount	1
26	940657334	Warning and Warning Icons Label (English)	1
27	612854002	Bushing	1
28	539314001	Turbo Button	1
	Not Shown		
	998000001	Operator's Manual	
	12-18-19		
	(Rev:01)		



WIRING DIAGRAM

RYOBI
Power Head
Item No. RY40007VNM
Mfg No. 315580101
Repair Sheet

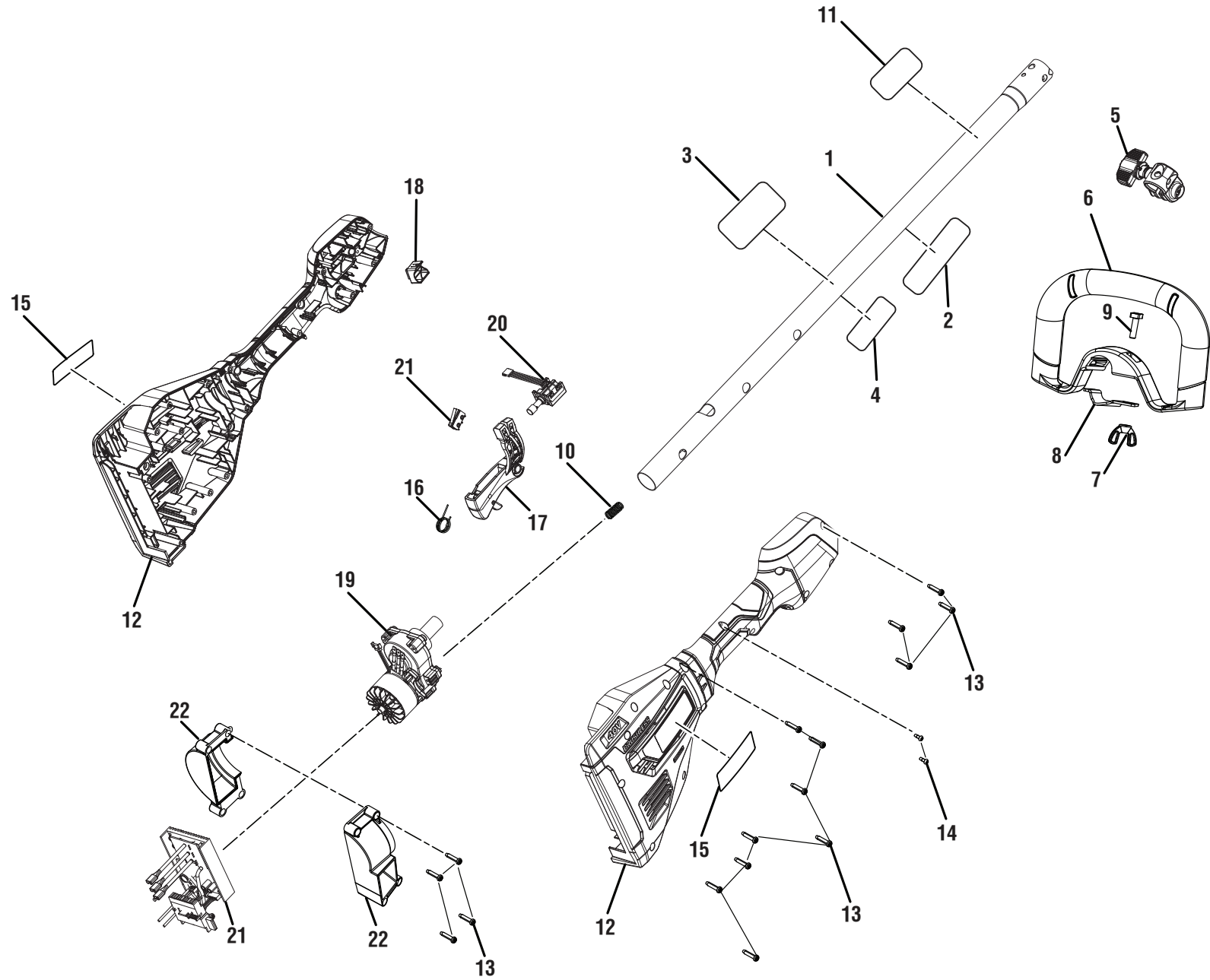
TECHTRONIC INDUSTRIES POWER EQUIPMENT

P.O. Box 1288, Anderson, SC 29622

Phone 1-800-860-4050

www.ryobitools.com

RYOBI POWER HEAD – ITEM NO. RY40007VNM



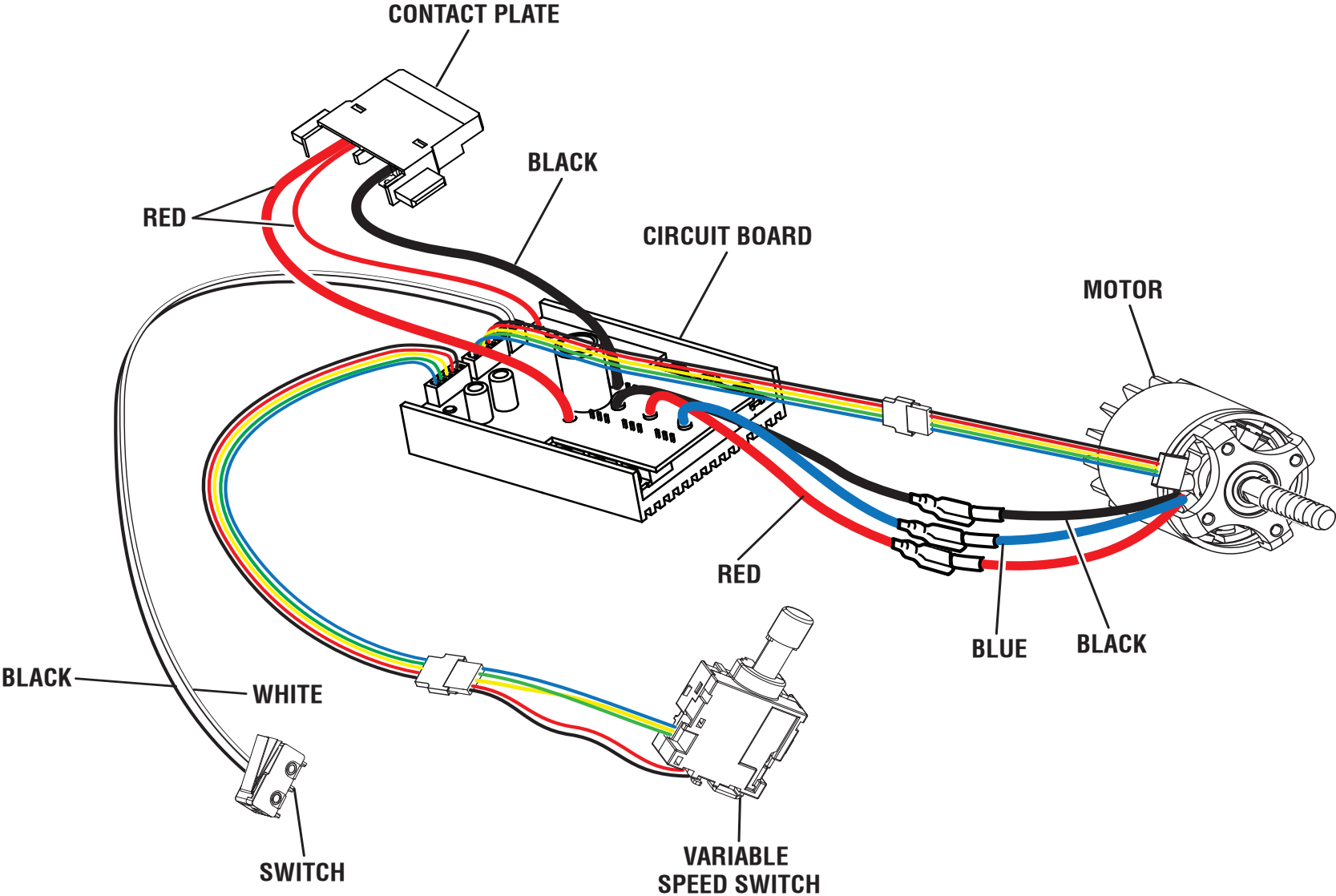
RYOBI POWER HEAD – ITEM NO. RY40007VNM

The item and manufacturing number will be found on a label attached to the boom assembly. Always mention the item and manufacturing number of your **POWER HEAD** when requesting service or ordering repair parts.

PARTS LIST

KEY NO.	PART NUMBER	DESCRIPTION	QTY	KEY NO.	PART NUMBER	DESCRIPTION	QTY
1	205322001	Upper Boom Assembly (Inc. Key Nos. 2-4 & 11)....	1	14	660203052	Screw (M3 x 8 mm, Pan. Hd.)	2
2	941013005	Warning Label (French/Spanish)	1	15	940705393	Logo Label	2
3	941013004	Warning Icon Label	1	16	694572001	Compression Spring (Trigger Lock).....	1
4	941588469	Data Label.....	1	17	315841001	Switch Trigger Assembly w/Lock-Out.....	1
5	315386001	Boom Clamp Assembly	1	18	539255001	Slide Switch Cover.....	1
6	308056009	Front Handle Assembly (Inc. Key Nos. 7-9).....	1	19	313244001	Motor & Gear Box Assembly	1
7	518949001	Wing Nut (1/4-20).....	1	20	760649003	Variable Speed Switch	1
8	639167001	Assist Handle Clamp.....	1	21	313240002	Electric Controller and Switch Assembly	1
9	660857001	Screw (1-1/4-20 x 1 in. Square Hd)	1	22	313350001	Motor Volute Assembly	1
10	690140011	Compression Spring	1		Not Shown		
11	941851150	Attachment Capable Label	1		998000156	Operator's Manual	
12	205323001	Rear Handle Assembly (Inc. Key No. 15)	1		1-13-20		
13	661864007	Screw (M4 x 18 mm, T15 Torx Pan Hd.)	16		(Rev:02)		

RYOBI POWER HEAD – ITEM NO. RY40007VNM



WIRING DIAGRAM

RYOBI
40 Volt Lawn Mower
Item No. RY40LM01
Manufacturing No. 090390001
Repair Sheet

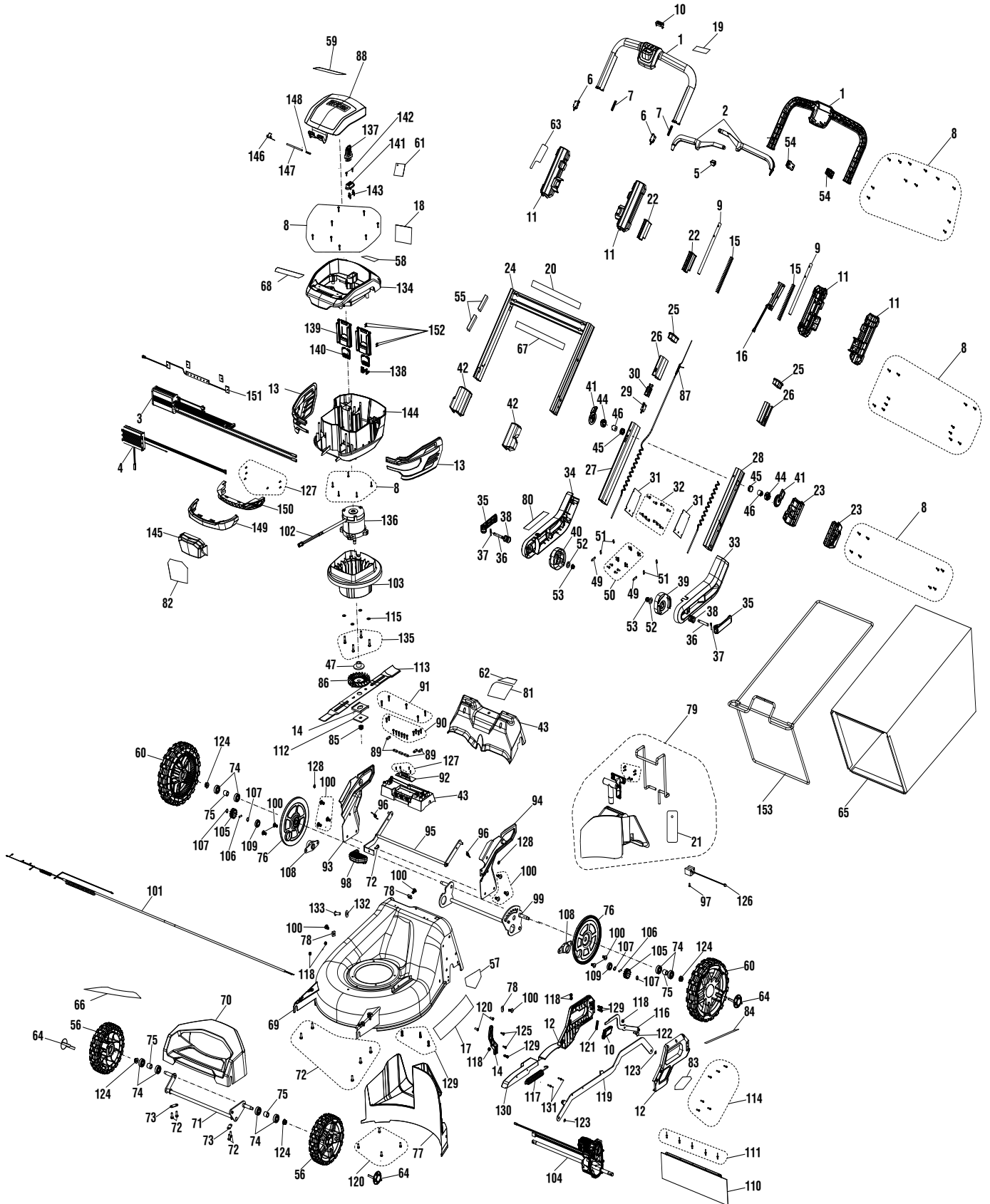
Techtronic Industries Power Equipment

P.O. Box 1288, Anderson, SC 29622

Phone 1-800-860-4050

www.ryobitools.com

RYOBI 40V LAWN MOWER – MODEL NO. RY40LM01



RYOBI 40V LAWN MOWER – MODEL NO. RY40LM01

The model number will be found on a label attached to the deck. Always mention the model number in all correspondence regarding your **LAWN MOWER** or when ordering replacement parts.

PARTS LIST

KEY NO.	PART NUMBER	DESCRIPTION	QTY	KEY NO.	PART NUMBER	DESCRIPTION	QTY
1	205216001	Upper Handle Assembly (Inc. Key No. 19).....	1	39	613728001	Handle Height Adjustment Disc (Right).....	1
2	205217001	Trigger Assembly.....	1	40	613727001	Handle Height Adjustment Disc (Left).....	1
3	280749001	Drive Motor Controller.....	1	41	536916001	Side Handle Latch.....	2
4	280747001	Blade Circuit Board Controller.....	1	42	205223001	Front Handle Latch Assembly.....	1
5	760961002	Momentary Switch.....	1	43	205224001	Bag Hanger (Inc. Key Nos. 62 & 81).....	1
6	760551003	Switch (Red).....	2	44	536919001	Side Compression Disc Holder.....	2
7	696926001	Spring.....	2	45	697483001	Handle Compression Spring.....	2
8	661189003	Screw (M4.0 x 18 mm, T15 Torx Pan Hd.).....	46	46	565024001	Rubber Compression Disc.....	2
9	696931001	Guide Tube.....	2	47	639120001	Motor Axle Bushing.....	1
10	205214001	Blade Button Trigger Assembly.....	1	48	536915001	Handle Latch (Right Front).....	1
11	205212001	Upper Handle Housing (Inc. Key No.63).....	1	49	635985001	Wiring Strap (20 mm).....	2
12	205218001	Deck Height Adjustment Housing (Inc. Key Nos. 83-84).....	1	50	660925003	Screw (M4 x 12 mm, T20 Torx Hd.).....	12
13	205219001	Battery Housing Vent Assembly.....	1	51	635790001	Wiring Hold Down Plate (10 mm).....	4
14	T205220001	Transmission Mount & Spacer Assembly.....	1	52	678889003	Washer (ID12.5 x OD24 x 2t).....	2
15	697111001	Compression Spring.....	2	53	690689001	Rotor Nut.....	2
16	314359001	Speed Sensor Switch Assembly.....	1	54	537693001	Push Button.....	2
17	940851498	Deck Size Label.....	1	55	565215001	Foam Pad.....	2
18	941851159	Main Danger Label (SP).....	1	56	313618001	8 in. Wheel Assembly (Inc. Key No. 64).....	2
19	941851177	Starting Instructions Label.....	1	57	941641001	CPSC Cut Finger Label.....	1
20	941851178	Handles Fully Extended Label.....	1	58	941851160	Onboard Battery Storage Label.....	1
21	918016031	Mulch Plug Hangtag.....	1	59	941851158	Main Danger Label (EN/FR).....	1
22	205221001	Slide Bushing Assembly.....	1	60	313619001	10 in. Wheel Assembly (Inc. Key No. 64).....	2
23	205222001	Rear Handle Latch Assembly.....	1	61	941851128	Start Key Hangtag.....	1
24	205190001	Structural Frame Assembly (Inc. Key Nos. 20 & 67).....	1	62	941851130	Attachment User Callout Label.....	1
25	534997001	Telescoping Latch.....	2	63	941851133	Handle Lockout Label.....	1
26	535214001	Telescopic Bushing.....	2	64	535063001	Wheel Hub.....	4
27	635484001	Tube (Right).....	1	65	903718001	21 in. Grass Bag.....	1
28	635360001	Tube (Left).....	1	66	941851124	Front Logo Label.....	1
29	760551002	Switch (Black).....	1	67	941851125	Handle Logo Label.....	1
30	535054001	Fix Bushing Switch.....	1	68	941851127	Start Key Warning/Data Combo Label..	1
31	635516001	Handle Cover.....	2	69	205193001	21 in. Deck Assembly (Inc. Key Nos. 17 & 57).....	1
32	660527001	Screw (M5 x 14, T25 Torx Soc. Hd.).....	10	70	205195001	Front Bumper Cover Assembly (Inc. Key No. 66).....	1
33	635532001	Lower Handle (Left).....	1	71	635490001	Front Axle.....	1
34	205191001	Lower Handle (Right, Inc. Key No. 80)...	1	72	664004001	Screw (1/4-20 x 3/4 in.).....	10
35	535017001	Handle Cam Lever.....	2	73	635512001	Front Axle Mount.....	2
36	673824001	Cam Pin.....	2	74	681957001	Ball Bearing (ID12 x OD32 x 10 mm)....	8
37	673874001	Cam Lever Dowel (4 mm).....	2	75	613958001	Wheel Bushing.....	4
38	696920001	Compression Spring.....	2	76	535046001	Wheel Cover.....	2

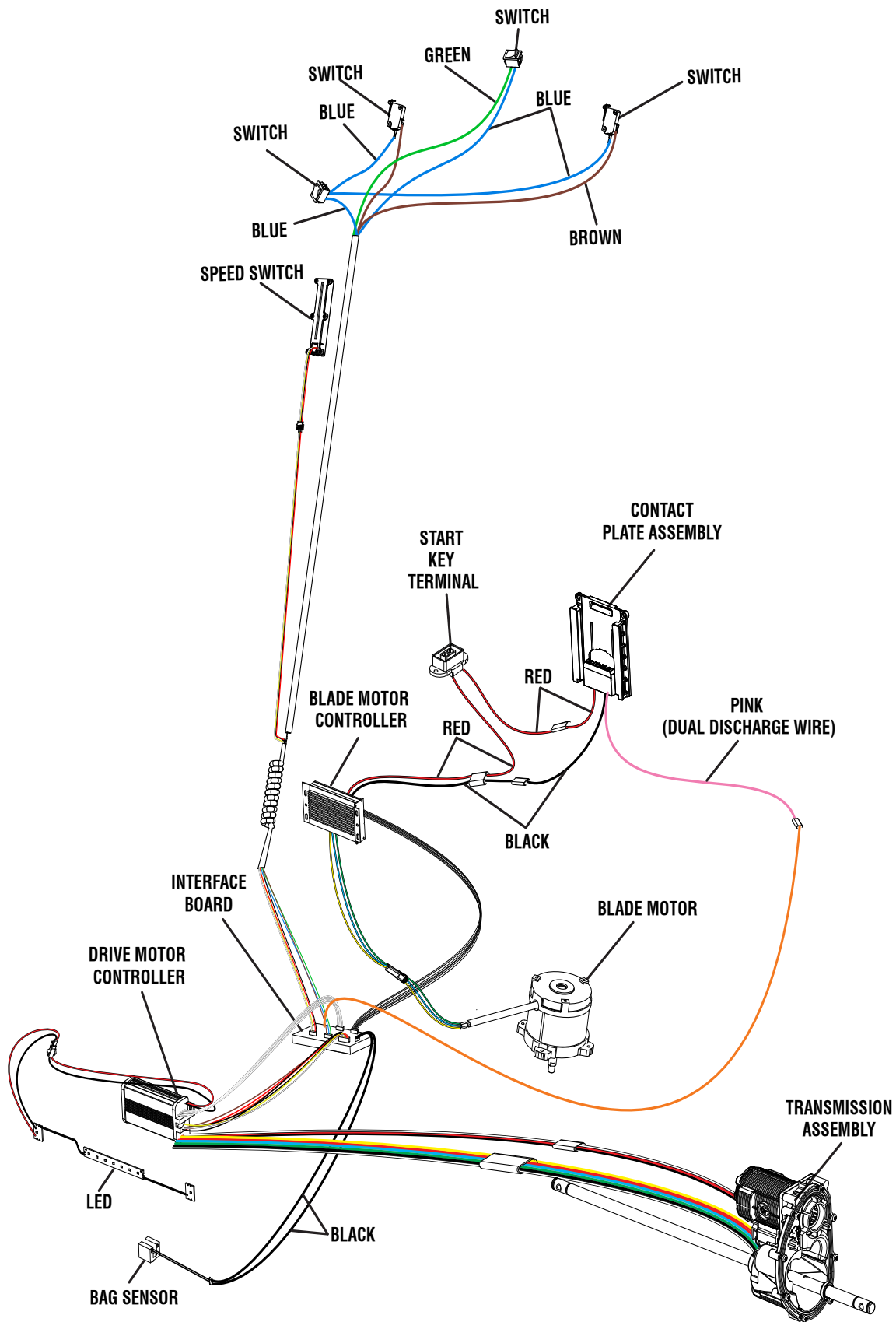
RYOBI 40V LAWN MOWER – MODEL NO. RY40LM01

The model number will be found on a label attached to the deck. Always mention the model number in all correspondence regarding your **LAWN MOWER** or when ordering replacement parts.

PARTS LIST

KEY NO.	PART NUMBER	DESCRIPTION	QTY	KEY NO.	PART NUMBER	DESCRIPTION	QTY
77	535047001	Baffle	1	118	678460002	Lock Nut (M6).....	6
78	T662406001	Square Nut (M8 x 1.25)	3	119	635496001	Height Adjustment Linkage.....	1
79	205199001	Mulching Plug Assembly (Inc. Key No. 21)	1	120	661431003	Bolt (M6 x 14 mm, Hex Soc. Hd.)	6
80	941851117	Handle Instructions Label	1	121	697164001	Height Adjustment Trigger Spring	1
81	941851119	Guard Warnings Label.....	1	122	660353001	Bolt (M6 x 22 mm, Hex Hd.).....	1
82	941851120	Logo Label (Front)	1	123	637087001	E-Ring (ID 6 mm)	2
83	941851122	Single Point Adjust Label	1	124	662082001	Flange Lock Nut	4
84	941851123	Cut Height Label	1	125	662065001	Screw (#5 unc x 1/2 in., Hex Hd.).....	2
85	679075001	Hex Nut (M10)	1	126	890043001	Grass Catcher Sensor Switch	1
86	535080001	Motor Fan Blade Adapter.....	1	127	660203001	Screw (M3 x 8 mm, Button Hd.).....	10
87	291975001	Inner Wire w/Terminal.....	1	128	635333001	C-Ring (OD 10 mm).....	2
88	313626002	Battery Cover Assembly.....	1	129	660697002	Screw (M6 x 20 mm, T27 Torx Hd.).....	6
89	513211001	Cord Clip	6	130	537792001	Spring Cover	1
90	660608002	Screw (M4 x 16 mm, T20 Torx Hd.).....	12	131	678002002	AI Rivet	2
91	660970001	Screw (M4 x 17 mm, T20 Torx Hd.).....	5	132	678125001	Washer (OD12 x ID4.3 x 1t).....	1
92	280751001	Signal Conversion Interface Board	1	133	696138001	Rivet	1
93	635488001	Handle Bracket (Right)	1	134	205187001	Top Battery Housing Cover (Inc. Key Nos 18, 58, 61 & 68).....	1
94	635487001	Handle Bracket (Left).....	1	135	660722002	Bolt (M6 x 26 mm).....	4
95	635491002	Pedal Linkage.....	1	136	742461001	40V-DC Motor	1
96	696930001	Extension Spring	2	137	205198001	Key Assembly (Inc. Key No. 61).....	1
97	660345009	Screw (M4 x 10 mm, T20 Torx Hd.).....	1	138	639491001	Common Foot Contact Plate	3
98	535181001	Handle Latch Pedal.....	1	139	535272001	40V Foot.....	2
99	635489001	Rear Axle w/Height Adjustment Plate... 1		140	532760002	Common Foot Cover.....	2
100	662160001	Screw (M8 x 16 mm, T40 Hex Hd.)	13	141	526912001	Key Connector Base	1
101	291976001	Main Wiring Harness (Right).....	1	142	660608001	Brake Band Screw	2
102	291977001	Main Wiring Harness	1	143	639178001	Female Terminal	2
103	535014001	Motor Mount	1	144	535005001	Battery Housing (Bottom).....	1
104	210449001	Transmission	1	145	205194001	Plug Cover Battery Housing (Front)	1
105	613239001	Drive Gear	2	146	696934001	Battery Clear Cover Spring	1
106	622068001	Gear Shaft	2	147	622330001	Pin	1
107	690698001	Snap Ring.....	4	148	679073001	Battery Door Press Spring	1
108	613738001	Drive Axle Bearing Sleeve	2	149	535081001	LED Clear Window Lens	1
109	682164001	Ball Bearing	2	150	535082001	LED Reflection Cup.....	1
110	535061001	Rear Guard.....	1	151	280738001	LED Circuit Board Assembly.....	1
111	673179002	Rivet	5	152	660230011	Screw (M3 x 10 mm, T10 Torx Hd.).....	4
112	639118001	Blade Retainer.....	1	153	635510001	Bag Frame.....	1
113	682282001	21 in. Blade	1		NOT SHOWN:		
114	660024061	Screw (M4 x 14 mm, T20 Torx Hd.).....	6		995000685	Operator's Manual	
115	638557001	Washer (OD15 x ID6.2 x 0.8t).....	4		5-14-19		
116	635495001	Height Adjustment Hook.....	1		(Rev:01)		
117	696924001	Extension Spring	1				

RYOBI 40V LAWN MOWER – MODEL NO. RY40LM01



WIRING DIAGRAM