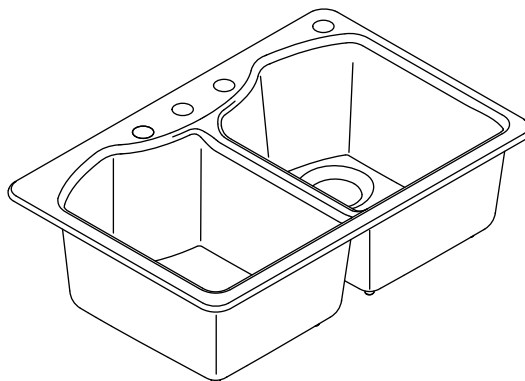


Features

- KOHLER cast iron
- Acid-resistant enamel finish
- Top-mount
- Double equal bowl
- Available with four holes
- 33" (838 mm) x 22" (559 mm)

TOP-MOUNT KITCHEN SINK K-RH6482



Codes/Standards Applicable

Specified model meets or exceeds the following:

- ASME A112.19.1/CSA B45.2

Colors/Finishes

- 7: Black Black™

Accessories

- CP: Polished Chrome
- ST: Stainless Steel
- NA: None applicable

Specified Model

Model	Description	Colors/Finishes
K-RH6482-4	Top-mount kitchen sink with four holes	<input type="checkbox"/> 7
Recommended Accessories		
K-9000	P-Trap	<input type="checkbox"/> CP
Optional Accessories		
K-6545	Sponge caddy	<input type="checkbox"/> ST
K-6640	Bottom bowl rack, left	<input type="checkbox"/> ST
K-6659	Bottom bowl rack, right	<input type="checkbox"/> ST
K-8801	Duostrainer® sink strainer	<input type="checkbox"/> CP
1012525	Cast iron cleaner, 8 oz (0.2 L)	<input type="checkbox"/> NA

Product Specification

The top-mount sink shall be made of cast iron with acid-resistant enamel finish. Sink be 33" (838 mm) in length, and 22" (559 mm) in width. Sink shall feature double equal bowl. Sink shall be top-mount and shall be available with four holes. Sink shall be Kohler Model K-RH6482-4-7.

BELLEGROVE™

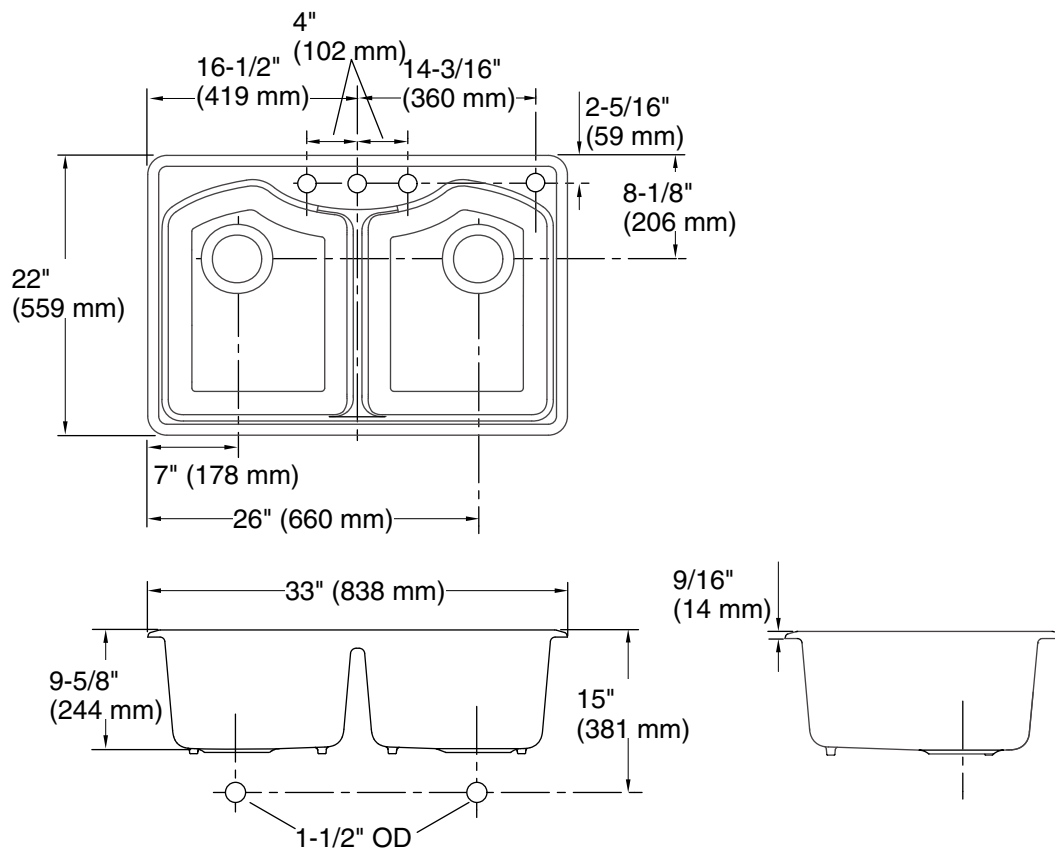
Technical Information

Fixture*:	
Bowl area	29-3/4" (756 mm) x 18" (457 mm)
Bowl depth	9" (229 mm)
Drain hole	Ø 3-7/8" (98 mm)
Faucet hole	Ø 1-3/8" (35 mm)
* Approximate measurements for comparison only.	
Included component:	
Cut-out template	1159401-7

Installation Notes

Install this product according to the installation guide.

NOTICE: Countertop manufacturer or cutter **must** use the cut-out template provided with the product, or a current one provided by Kohler Co. (call 1-800-4-KOHLER). Kohler Co. is not responsible for cutout errors when the incorrect cut-out template is used.



Product Diagram