



Ensemble™

60" x 42" AFD Bath
71111122

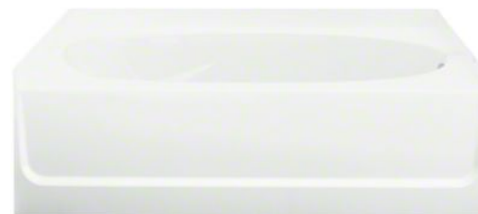


Features

- Durable high gloss finish.
- Above-floor-drain (AFD) rough-in.
- Gentle sloping back, neck, and armrests.
- Integral apron eliminates installation step.
- 3" (76 mm) wainscot/tile ledge.
- 18-1/4" (464 mm) bath depth (floor to top of threshold).
- 60" (1524 mm) x 42" (1067 mm) complete unit finished dimensions.

Material

- Compression molded from our exclusive solid Vikrell® material.



For complete listing of available colors, go to sterlingplumbing.com.

Codes/Standards

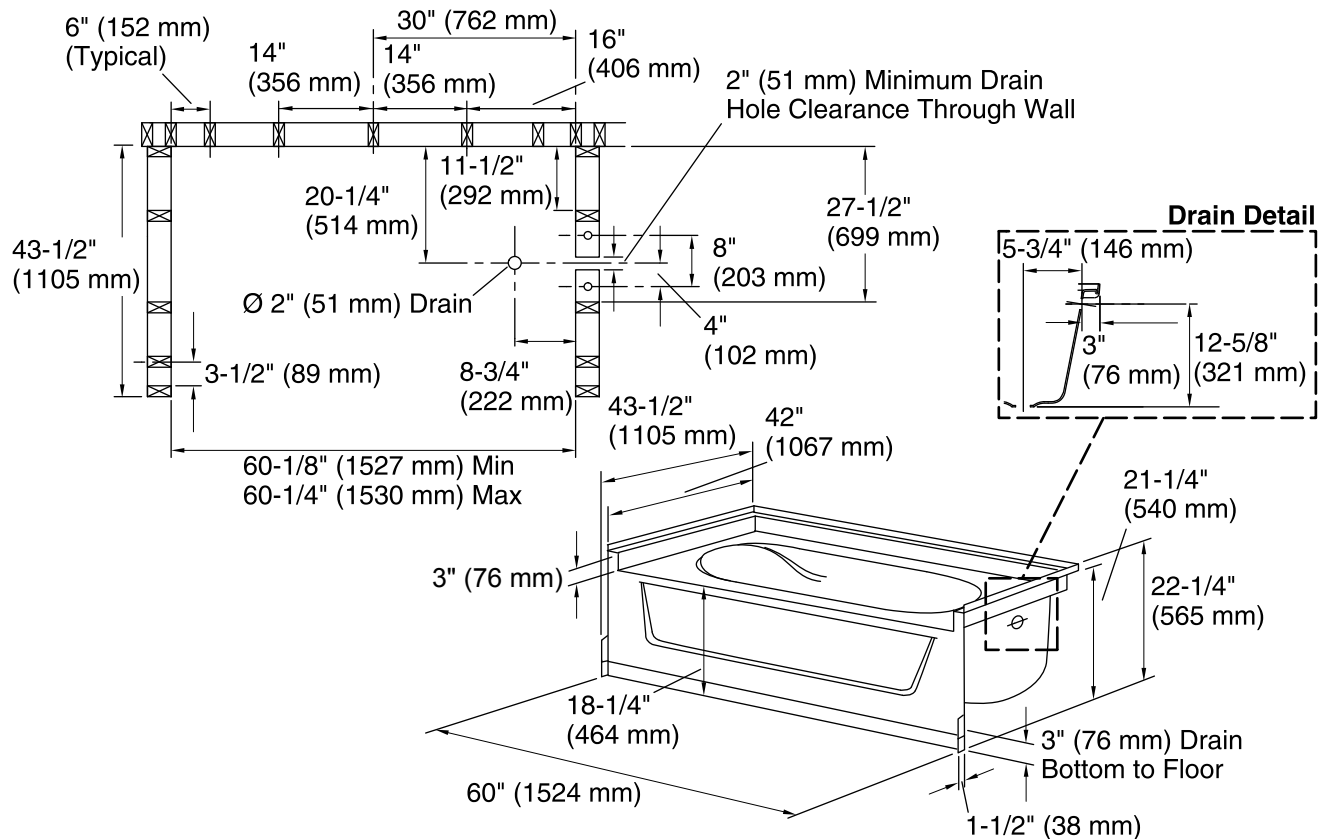
ASTM E162
ASTM E662
Greenguard UL 2818 - Gold
CSA B45.5/IAPMO Z124

STERLING® Warranty - Fixtures Made of Solid Vikrell Material

See website for detailed warranty information.

Product Specification

Bath shall be 60" (1524 mm) in length, 43-1/2" (1105 mm) in width, and 22-1/4" (565 mm) in height with flange. Bath shall be made of Vikrell® material with durable high gloss finish. Bath shall have a 18-1/4" (464 mm) bath depth (floor to top of threshold). Bath shall be oval, have an integral apron, above-floor-drain (AFD) rough-in, and right drain. Bath shall be STERLING Model 71111122.



Technical Information

All measurements are nominal.

Installation:	Alcove with Flange
Drain location:	Right
Basin area, bottom:	40" x 27" (1016 mm x 686 mm)
Basin area, top:	52" x 35" (1321 mm x 889 mm)
Water depth:	11" (279 mm)
Water capacity:	55 gal (208.2 L)

Door width required: 58-1/2" (1486 mm)

Installation Notes

Measure your actual product for roughing-in details.

Install this product according to the installation guide.

Studs should be positioned roughly as shown.

Double studding is recommended for pivot shower door installations.