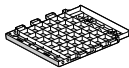


1

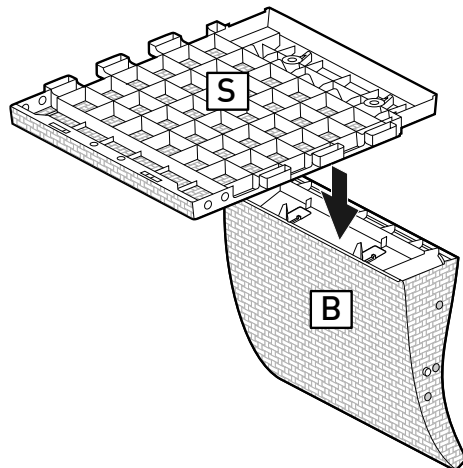


Bx1

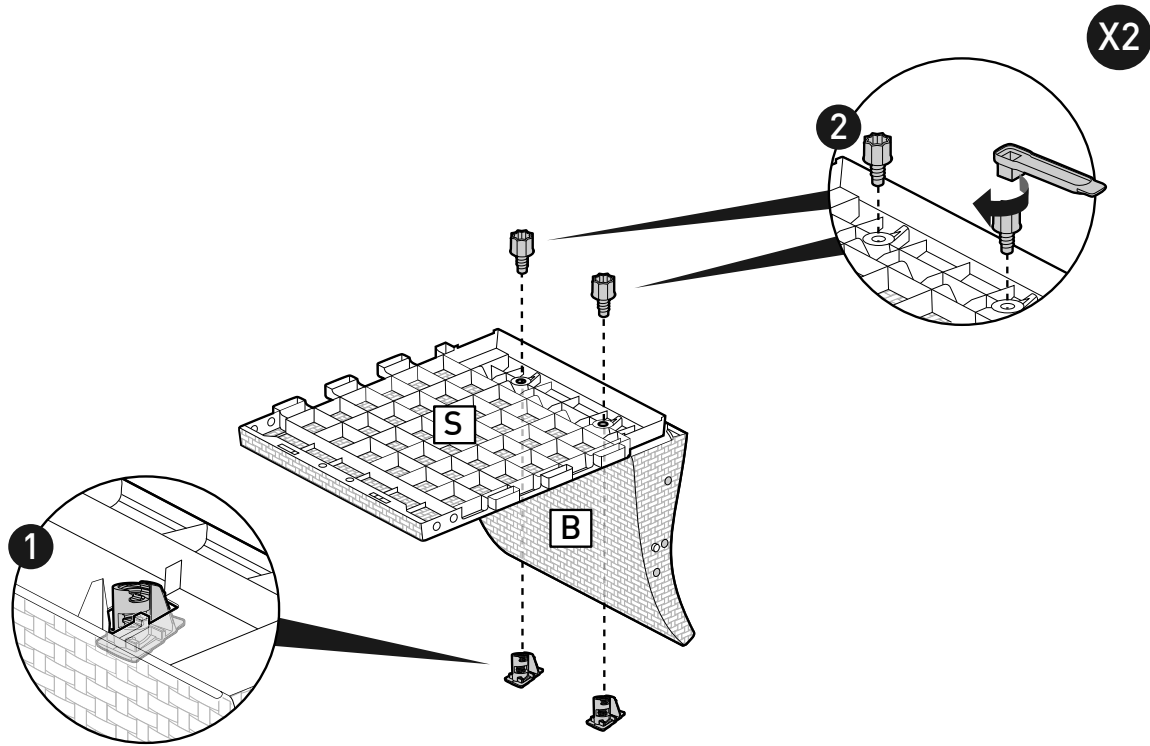


Sx1

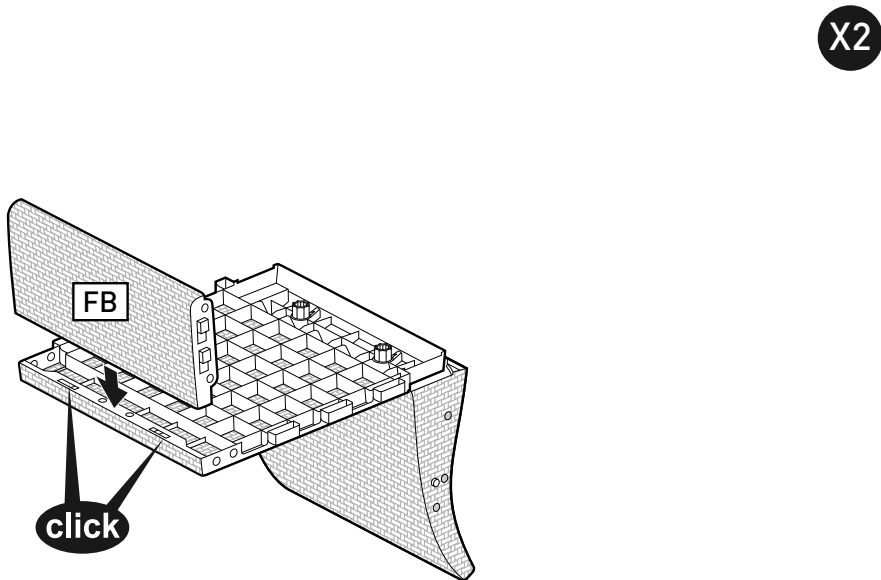
X2



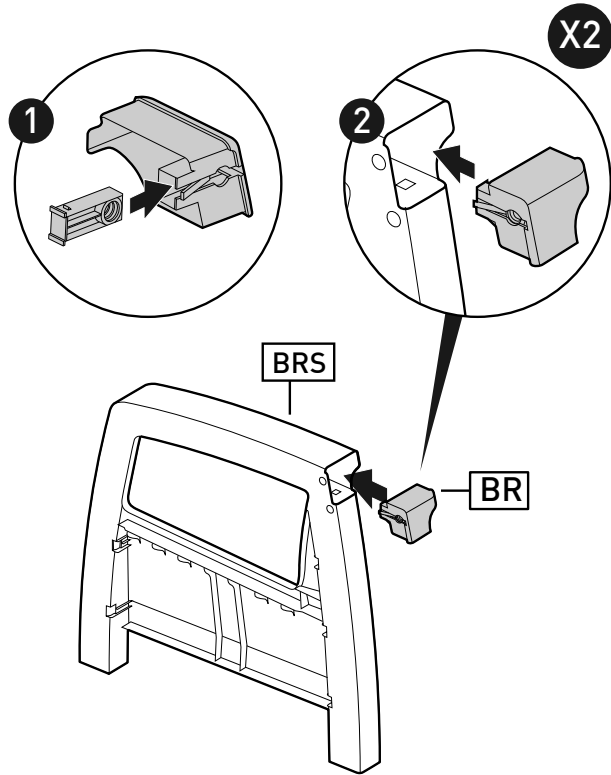
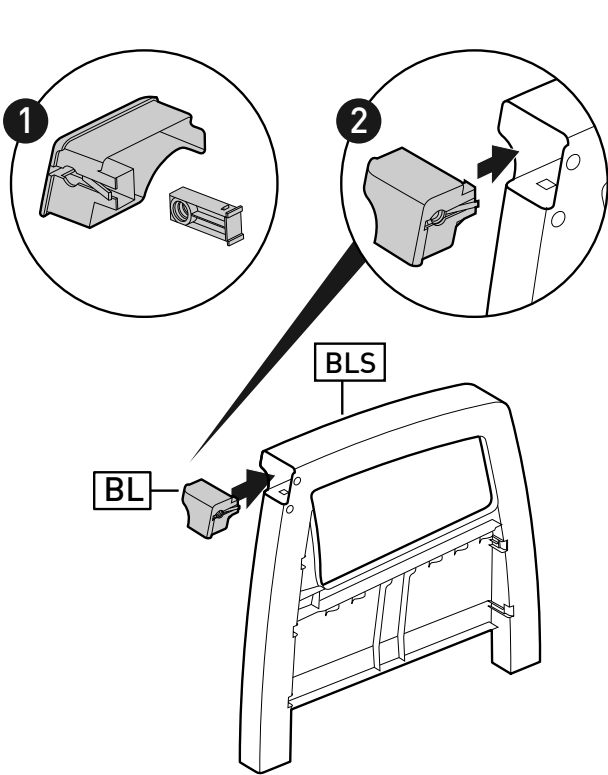
- 2 |  LBNx1 |  RBNx1 |  SCx2 |  Kx1

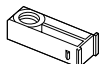


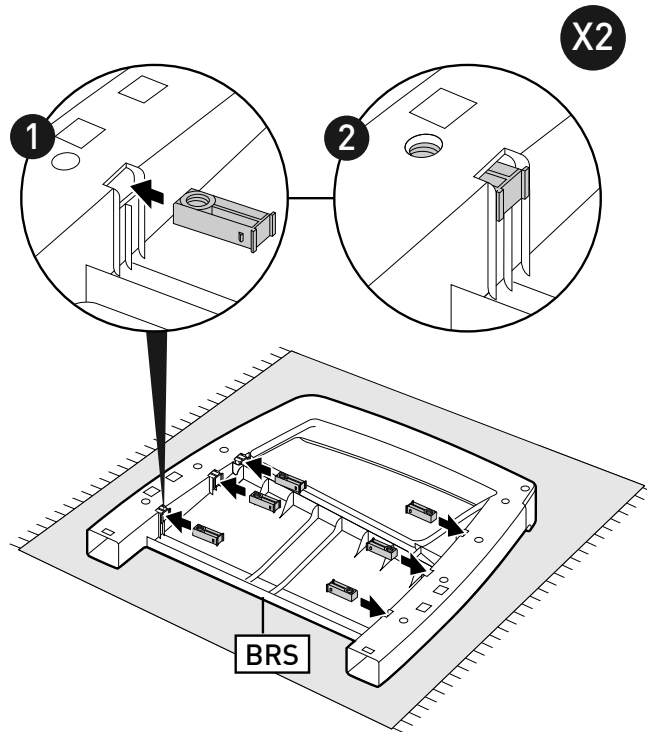
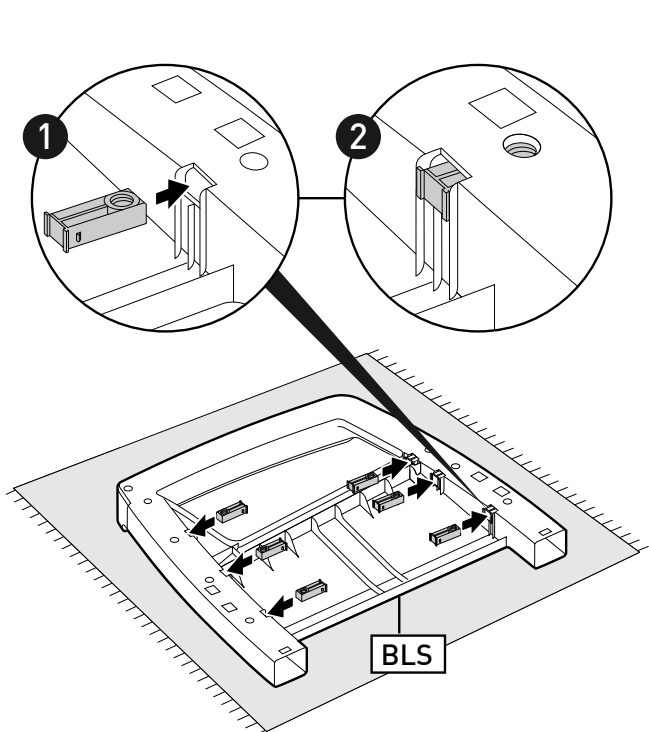
- 3 |  FBx1



- 4 |  BLSx1 |  BRSx1 |  BLx1 |  BRx1 |  Nx2

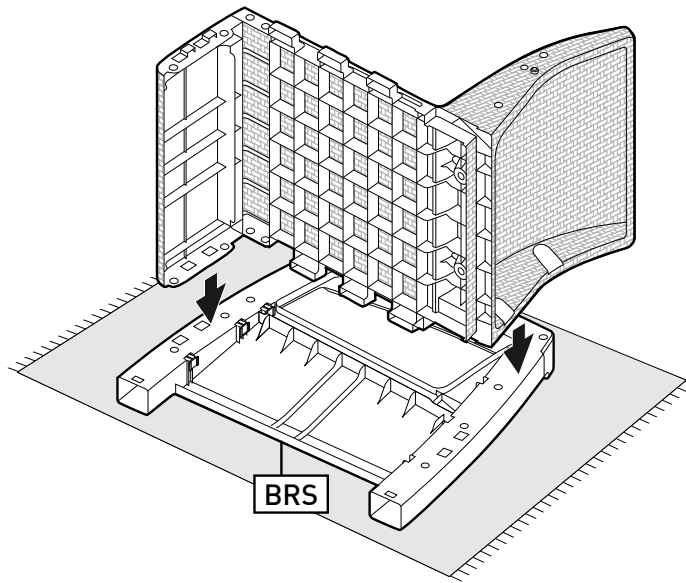


- 5 |  Nx12



6

X2

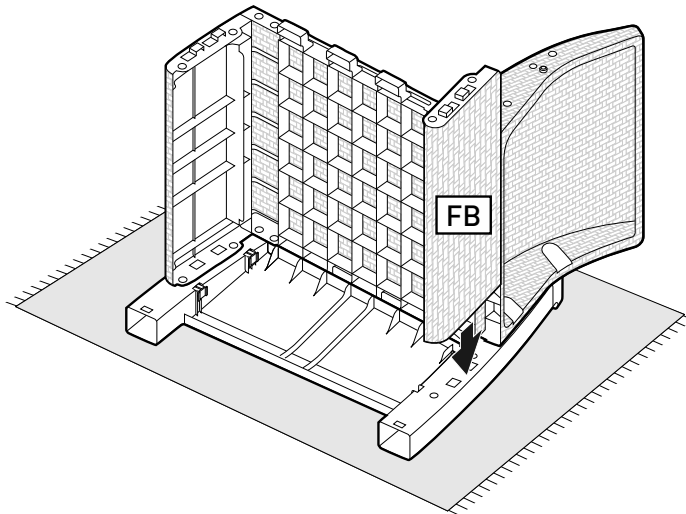


7



FBx1

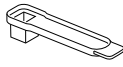
X2



8

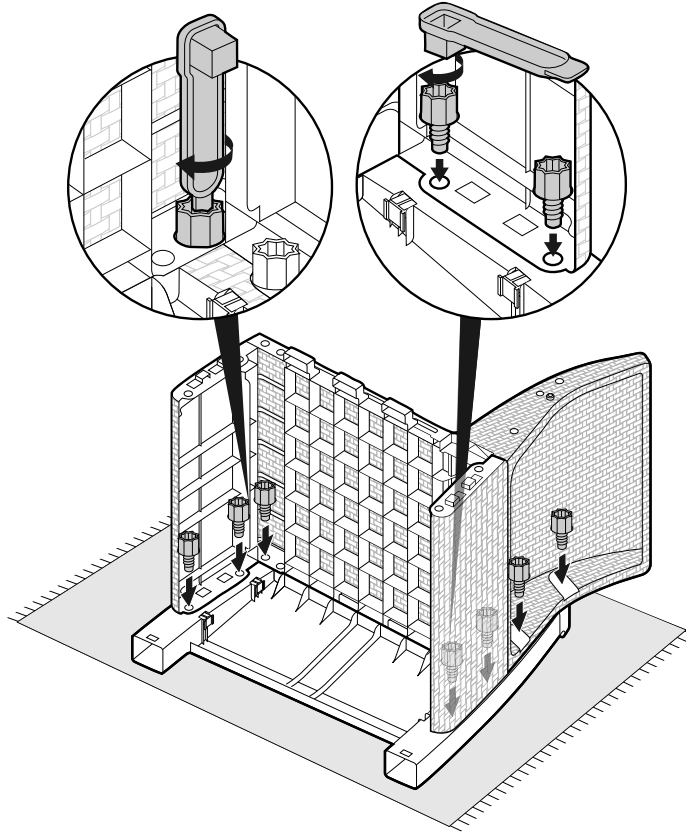


x7



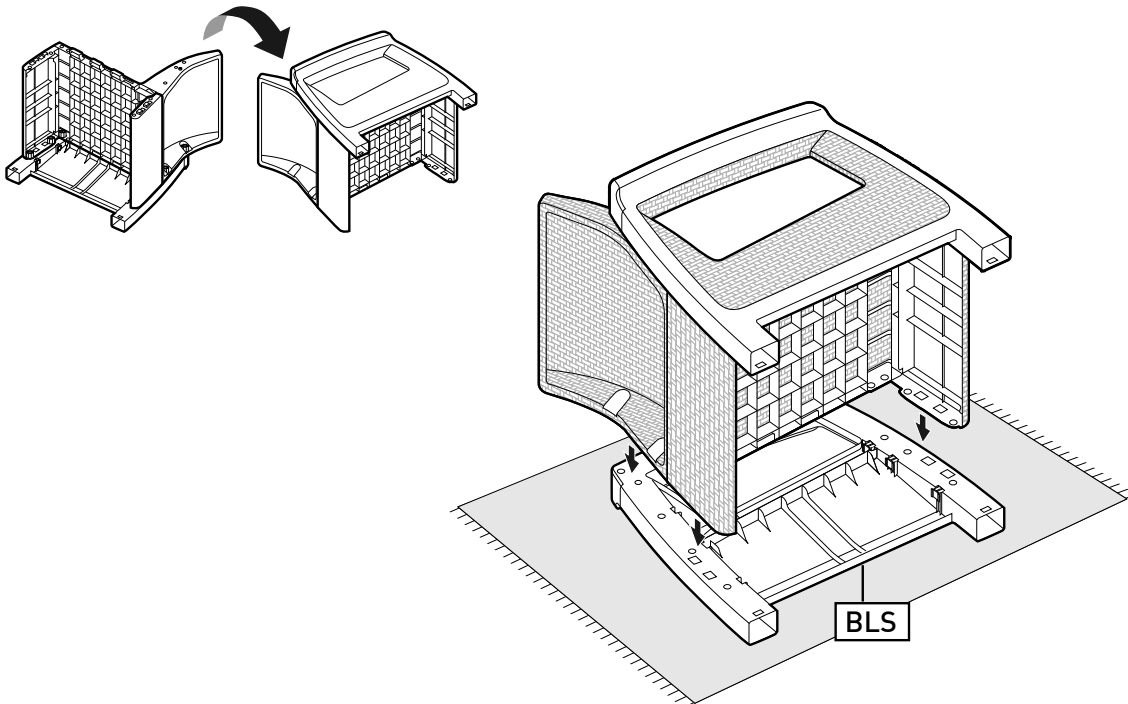
Kx1

X2



9

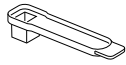
X2



10

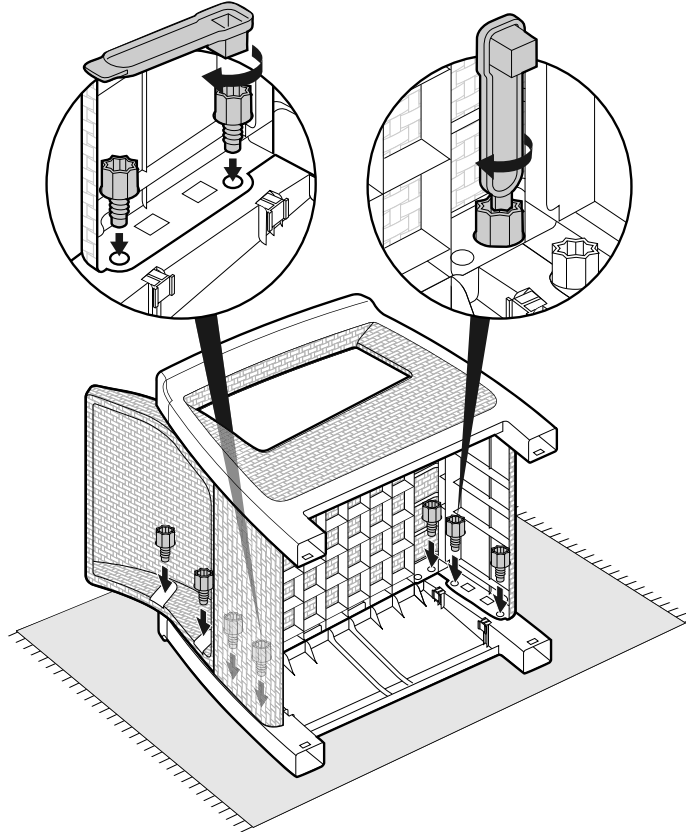


SCx7



Kx1

X2

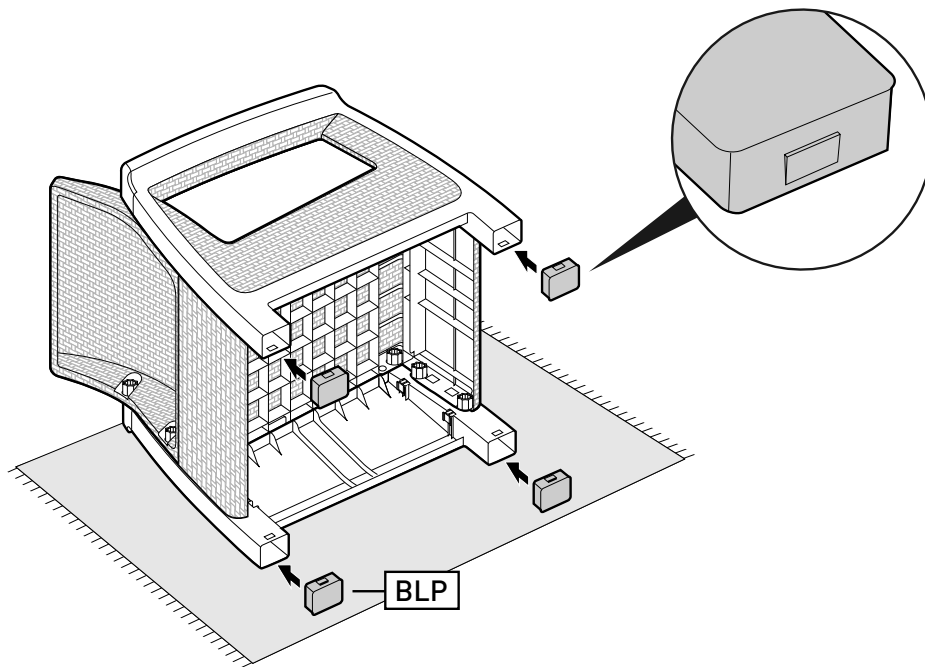


11



BLPx4

X2



12



1x1



2x1

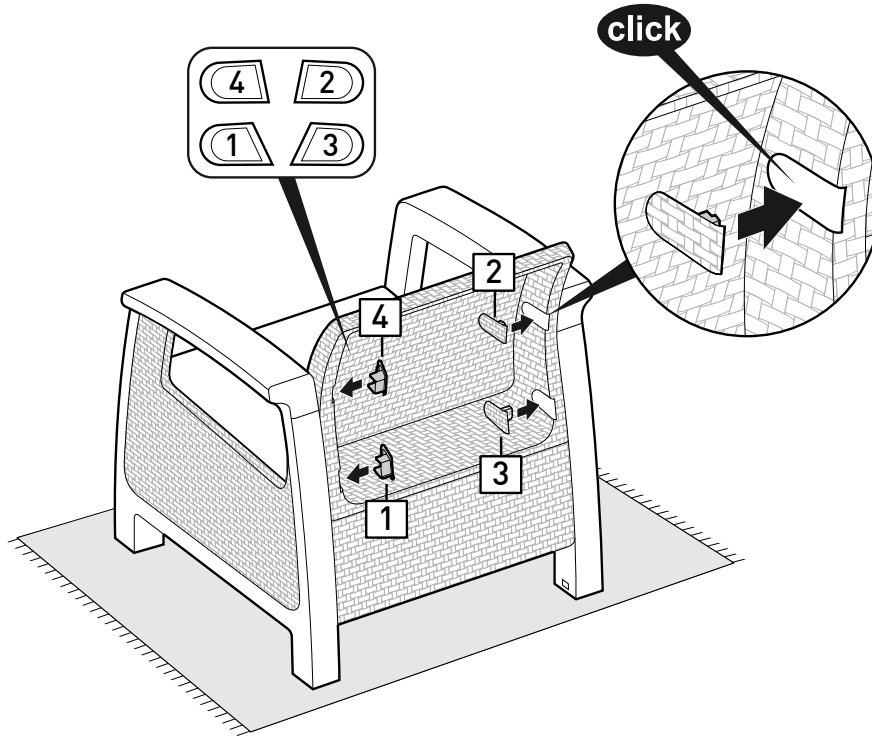


3x1

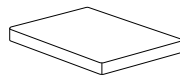


4x1

X2



13



Cx1

X2

