

STEP FOUR

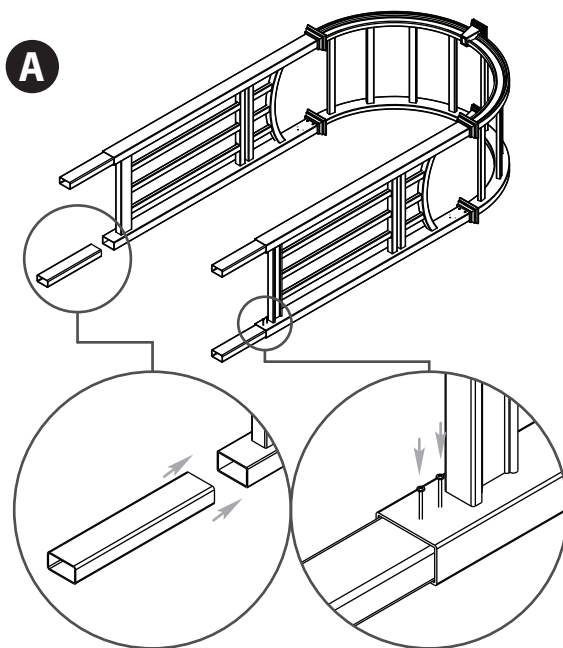
Ground Anchors Installation

Arbors must be well secured to prevent tipping over from wind load etc. We have provided four ground anchors for securing the arbor either into the ground or a concrete footing. In some cases it may be acceptable to secure the arbor to an existing structure such as a fence post. If you are installing your arbor on concrete or a deck, see your hardware store for the appropriate galvanized bracketing hardware.

A Install Ground Anchors

Insert the ground anchors into each of the post until they reach the bottom rail.

Fasten each posts with two of the provided screws as shown.



B Into Earth Without Concrete Footing

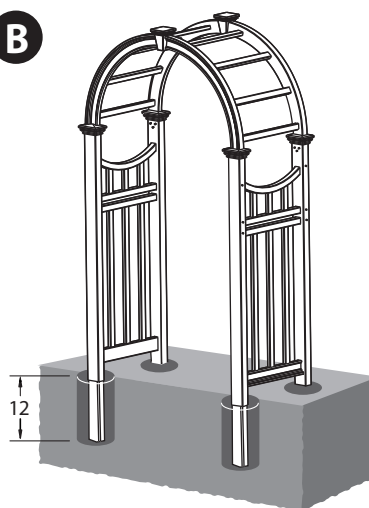
1

Move the arbor to its final location (you will need a helper). When you are satisfied with the location, mark the positions of the posts, then move the arbor aside and lay it carefully on it's side. Excavate 4 holes approx 12" deep. Carefully move the arbor back into position and level it both vertically and horizontally.

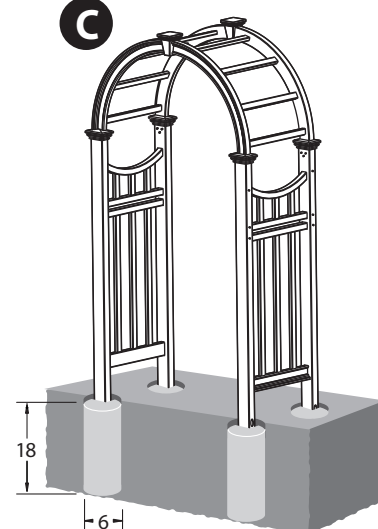
2

Backfill the holes with the excavated soil to cover the anchors.

B



C



C Into Earth With Concrete Footing

1

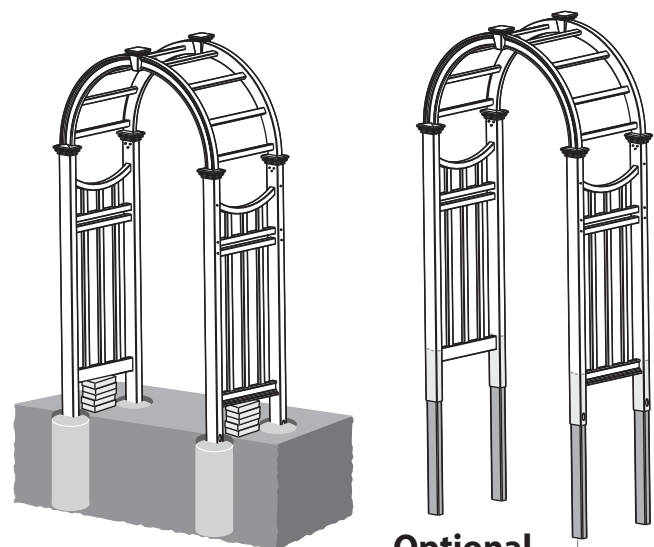
Complete A #1 above, with the exception of excavating the holes at least 6" wide x 18" deep. Fill holes with wet cement within 3" of your grade (you will need 2 bags of pre-mix concrete - purchase separately). Carefully move the arbor back into position.

2

Support the arbor plumb and level over the holes with bricks, stones or blocks of wood under the bottom rail of the side panel. The post bottoms should insert themselves approx 1/2" into the concrete.

Optional

If you plan on attaching a fence or bench to the arbor, or in the event of extreme wind conditions we would not recommend using the ground anchors provided. Consider purchasing pressure treated lumber and trimming it down to **3 1/4 wide** and cutting it into 36" lengths. Insert into the bottom of all four posts until they hit the bottom horizontal rail on the side panel. Fasten accordingly with screws and install either directly into the ground or into a concrete footing.



Optional

2" x 4" Wood Insert
(Purchase Separately)

2