

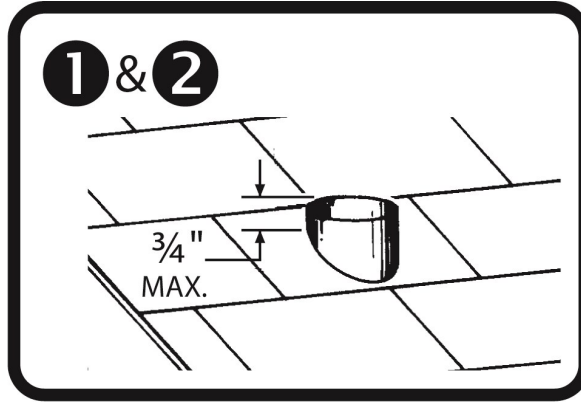
ROOF CAP INSTALLATION INSTRUCTIONS

Model NXR340

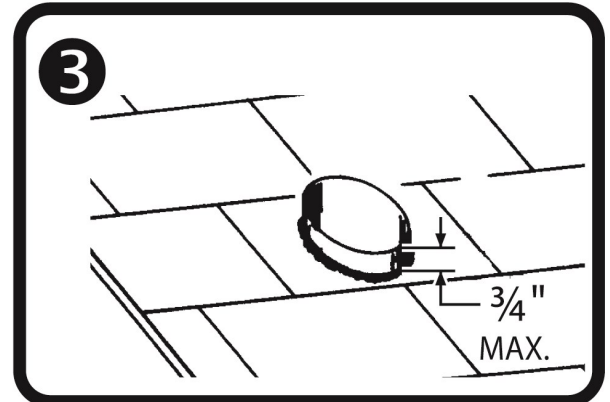
For 4" Round Duct Installations

Plan your installation carefully. Before installation of this roof cap, make sure that a birdscreen is already in place. This roof cap model only works with a 4" round duct. Tape all joints with duct tape to prevent air and water leaks from occurring. **DO NOT** install this roof cap on a flat roof.

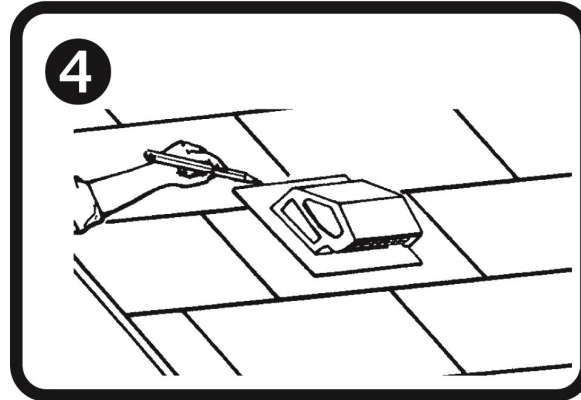
Step 1 : Cut a hole in your roof approximately 1/2" larger than the ductwork.



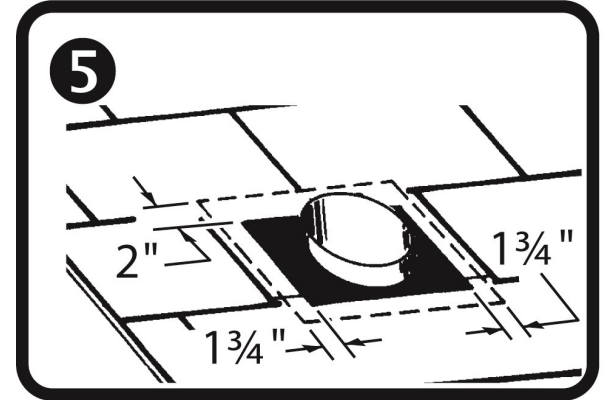
Step 2: Insert the ductwork through the opening and run it back to the fan. Leave a maximum of 3/4" of duct projecting above the roof surface on the high side.



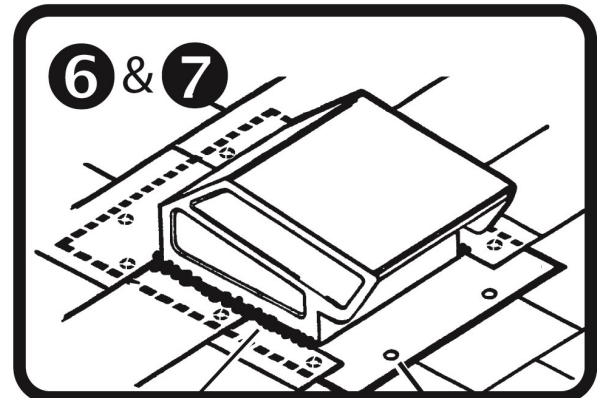
Step 3: Trim the ductwork parallel to the roof pitch.



Step 4: Lay the roof cap over the ductwork and trace an outline of the roof flange onto the shingles.



Step 5: Trim the shingles as shown in Fig. 5, so that they fit snugly around the roof cap hood when installed. Seal around the duct with roof cement.



Step 6: Lift the shingles and slide back the flange of the roof cap under the shingles. Nail the flange to the roof under the shingles at the top and two sides. Nail directly to the roof at the bottom.

ROOF CEMENT
(Seal shingles to roof cap on sides and top)

NAILS
(Seal all nail heads with roof cement)

Step 7: Use roof cement to seal the shingles to the top and sides of the roof cap. Seal all nail heads with roof cement.