

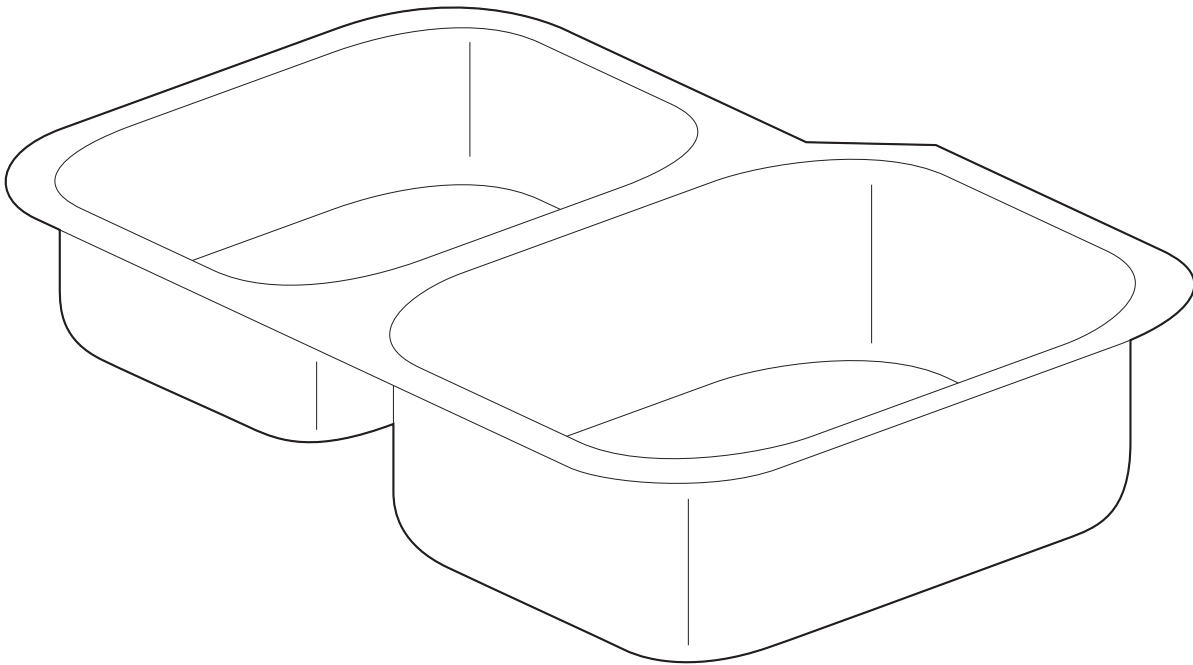


Internet #207158547
Model #DBLBL4060-3120S

Internet #300086870
Model #DBK-4060-3120S

USE AND CARE GUIDE

UNDERMOUNT STAINLESS STEEL KITCHEN SINK



Questions, problems, missing parts? Before returning to the store,
call Glacier Bay Customer Service
8 a.m. - 7 p.m., EST, Monday - Friday, 9 a.m. - 6 p.m., EST, Saturday

1-855-HD-GLACIER

HOMEDEPOT.COM/GLACIERBAY

THANK YOU

We appreciate the trust and confidence you have placed in Glacier Bay through the purchase of this 40/60 double bowl sink. We strive to continually create quality products designed to enhance your home. Visit us online to see our full line of products available for your home improvement needs. Thank you for choosing Glacier Bay!

Table of Contents

Table of Contents	2	Hardware Included	3
Safety Information	2	Pre-Installation (continued)	4
Warranty	2	Package Contents	4
Pre-Installation	3	Installation	5/6
Planning Installation	3	Care & Cleaning	7
Tools Required	3		

Safety Information



WARNING: Risk of personal injury. Metal surfaces are sharp and can cause severe cuts. Use gloves and handle sink edges carefully.

NOTICE: Specialized tools may be required to install the sink in countertop surfaces other than wood or wood composites.

NOTICE: Allow the sealant to cure following the sealant manufacturer's instructions.

Warranty

LIMITED LIFETIME WARRANTY

Glacier Bay products are manufactured with superior quality standards and workmanship and are backed by our limited lifetime warranty. Glacier Bay products are warranted to the original consumer purchaser to be free of defects in materials or workmanship. We will replace FREE OF CHARGE any product or parts that proves defective. Simply, return the product / part to any of The Home Depot retail locations or call 1-855-HD-GLACIER to receive the replacement item. Proof of purchase (original sales receipt) from the original consumer purchaser must be made available for all Glacier Bay warranty claims.

This warranty excludes incidental/inconsequential damages and failures due to misuse, abuse or normal wear and tear. This warranty excludes all industrial, commercial and business usage, whose purchasers are hereby extended a five year limited warranty from the date of purchase, with all other terms of this warranty applying except the duration of warranty.

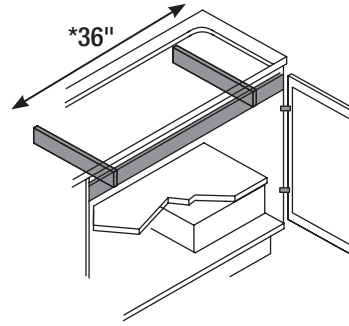
Some states and provinces do not allow the exclusion or limitation of incidental or consequential damages, so the above limitations may not apply to you. This warranty gives you specific legal rights and you may also have other rights that vary from state to state and province to province.

Contact the Customer Service Team at 1-855-HD-GLACIER or visit www.HOMEDEPOT.com/GLACIERBAY.

Pre-Installation

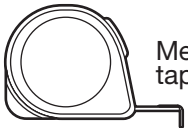
PLANNING INSTALLATION

- Before installation verify that the cabinet width is at least *36".
- Compare all parts with the Hardware Included and Package Contents lists in this manual.
- Check the surface of the sink for any flaws or damage, including dents, bends, bumps, or scuff marks. If any damage is noticed or parts are missing, do not proceed with the installation.



NOTE: This sink is an undermount (below the counter) installation.

TOOLS REQUIRED



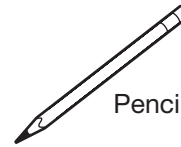
Measuring tape



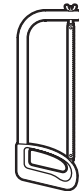
Safety goggles



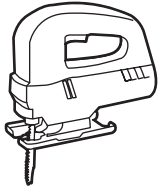
Phillips screwdriver



Pencil



Hacksaw



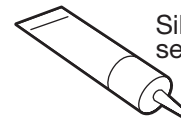
Saber saw or Jig saw



Electric drill



Wrenches



Silicone sealant

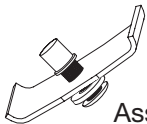


11 mm drill bit

HARDWARE INCLUDED



NOTE: Hardware not shown to actual size.



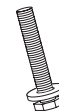
Assembled



AA



BB

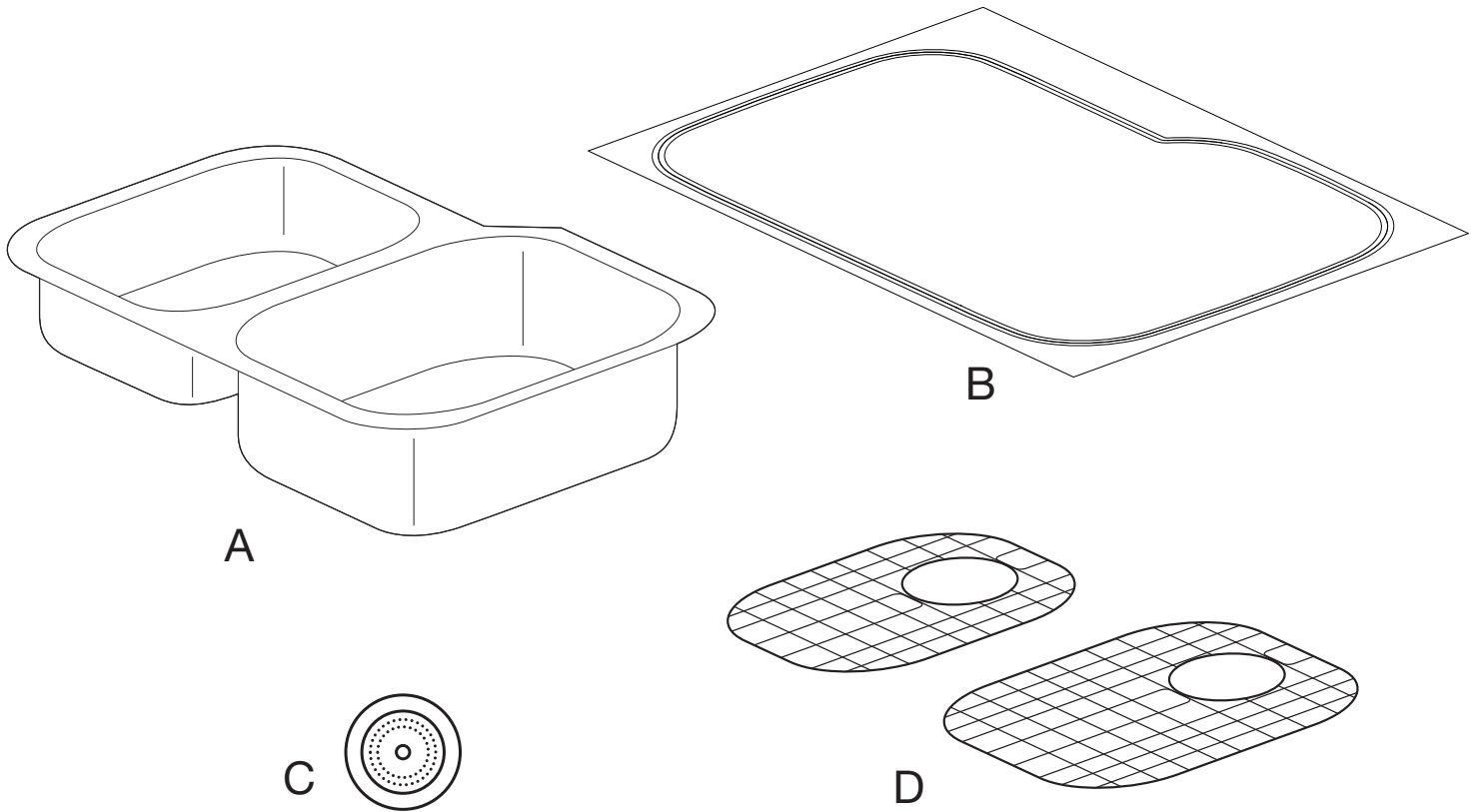


CC

Part	Description	Quantity
AA	Clip	8
BB	Plastic Cap	8
CC	Screw	8

Pre-Installation (continued)

PACKAGE CONTENTS



Part	Description	Quantity
A	Sink	1
B	Template	1
C	Strainer	1

Optional Accessories		
D	Grid	1

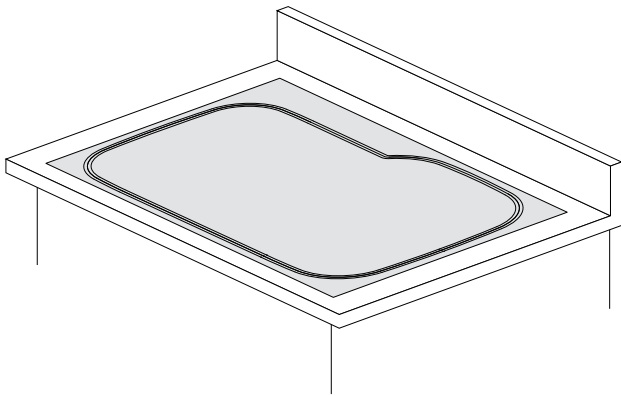


NOTE: Model #DBLBL4060-3120S includes A, B, and C. Model #DBK-4060-3120S kit includes A, B, C, and D. Model #GRID-4060-3120S is for the separate purchase of D only. Model #SINKSTRAINER for purchase of C only.

Installation

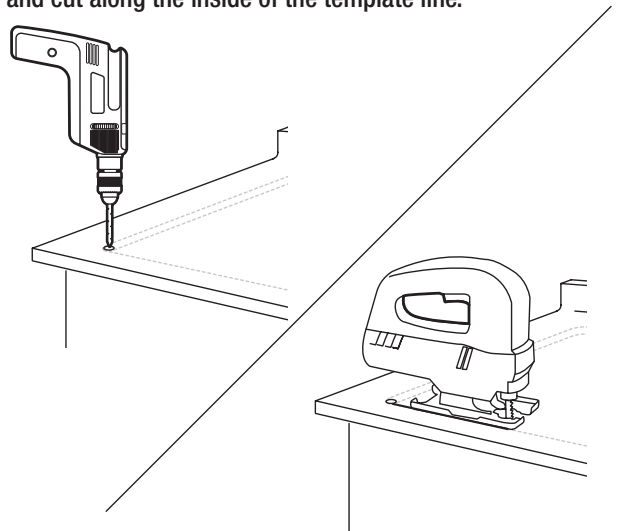
1 Preparing the countertop

- Place the template (B) on the countertop. Ensure the template (B) is centered on the counter so that it is parallel to the counter edge and that the installation hole will not interfere with the structure of the cabinet.
- Tape the template (B) to the countertop to keep it in place while tracing the perforated line on the template (B) with a pencil. Once traced, your line will be left on the surface.



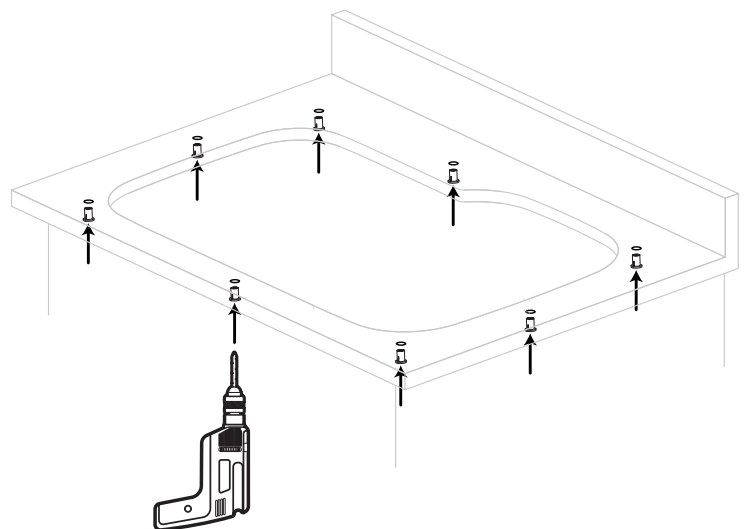
2 Cutting the installation hole

- Drill a pilot hole to insert the blade of your jigsaw.
- Cut the countertop opening. Use the appropriate cutting tool for the surface you are cutting and cut along the inside of the template line.



3 Drilling holes for the clips

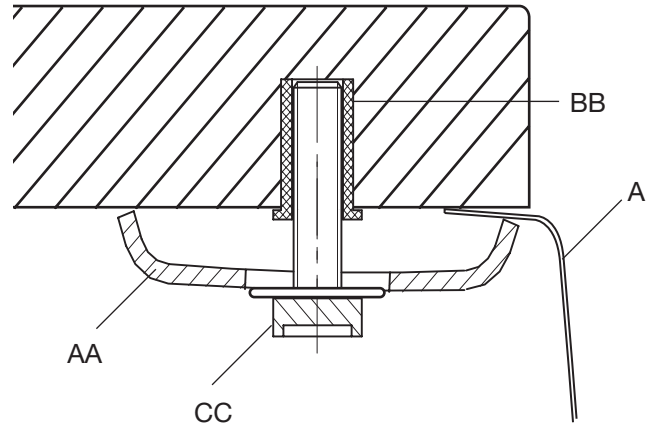
- On the underside of the counter, mark the location of the holes for the clips (AA). These holes should be equally spaced around the perimeter of the cutout.
- Using an electric drill with a 11 mm drill bit, drill each hole so that it is 11 mm in diameter and 14 mm deep.
- Insert the plastic caps (BB) from each of the clips (AA) into each of the installation holes.



Installation (continued)

4 Installing the sink

- Insert the screws (CC) attached to the clips (AA) loosely in the plastic caps (BB) in the holes that you drilled in the underside of the counter.
- Place a small bead of silicone sealant (not included) around the upper lip of the sink (A).
- Carefully place the sink (A) into its location under the counter, with the lip of the sink being supported by the clips (AA).
- Tighten the screws (CC) evenly, ensuring the sink (A) remains in place.
- Wipe away any excess silicone and, for best results, allow the bond to rest undisturbed for 8 hours or overnight.
- If using grid, place in sink.



Care and Cleaning

- Daily, regular cleaning to remove dirt and prevent staining is recommended. Use liquid dish detergent, water, and a soft household sponge.
- Mild, non-abrasive cleaners can be used with a nylon scrub pad. To ensure a uniform appearance in a stainless steel sink surface, rinse with water and wipe down the sink with a soft, dry cloth. Drying the sink will prevent water spots caused by time in the water.
- Remove stubborn stains from lime or calcium deposits by pouring a little warm vinegar or vinegar-based cleaner into the sink and allow it to sit for a few minutes. Rinse with clean water and dry.
- Scratches are inevitable during your usage over time. Use a nylon pad with an iron-free abrasive polishing compound. Follow the original polish lines to blend out the scratch in a small area. Be careful not to overdo as aggressive scrubbing will result in a bright spot.
- DO NOT use strong abrasive cleaners, metal scrub pads, or steel wool. These will scratch the surface.
- DO NOT leave rubber mats or sponges inside the sink. Water trapped below could lead to stains.
- DO NOT let food with a high salt content sit inside the sink for prolonged periods of time.
- DO NOT allow chlorine bleach to sit inside a stainless steel sink for more than 1 hour.
- DO NOT allow drain cleaners to come into contact with the sink surface.
- DO NOT pour paint in your sink. The chemicals in acrylic paint will react with sinks if allowed to sit over 24 hours and will produce permanent marks. For latex based paints, remove any residue immediately using a paint remover.
- Consult the paint remover recommendations before using on the sink. For all sinks, we also recommend nail polish remover, rubbing alcohol, or an acetone based paint remover to eliminate paint residue.
- Rust spots – Stainless steel does not rust. Rust stains are the result of iron particles introduced by water, cookware, and steel wool pads that react with water to create rust. Metal cleaners will remove rust spots.
- Food stains – Depending on the severity of the stain, use a bleach and water solution or pour the bleach onto a cloth and cover the stain. Allow the bleach to sit for at least 1/2 hour and then clean with dish detergent and water.



Questions, problems, missing parts? Before returning to the store,
call Glacier Bay Customer Service
8 a.m. - 7 p.m., EST, Monday-Friday, 9 a.m. - 6 p.m., EST, Saturday

1-855-HD-GLACIER

[HOMEDEPOT.COM/GLACIERBAY](https://www.homedepot.com/glacierbay)

Retain this manual for future use.