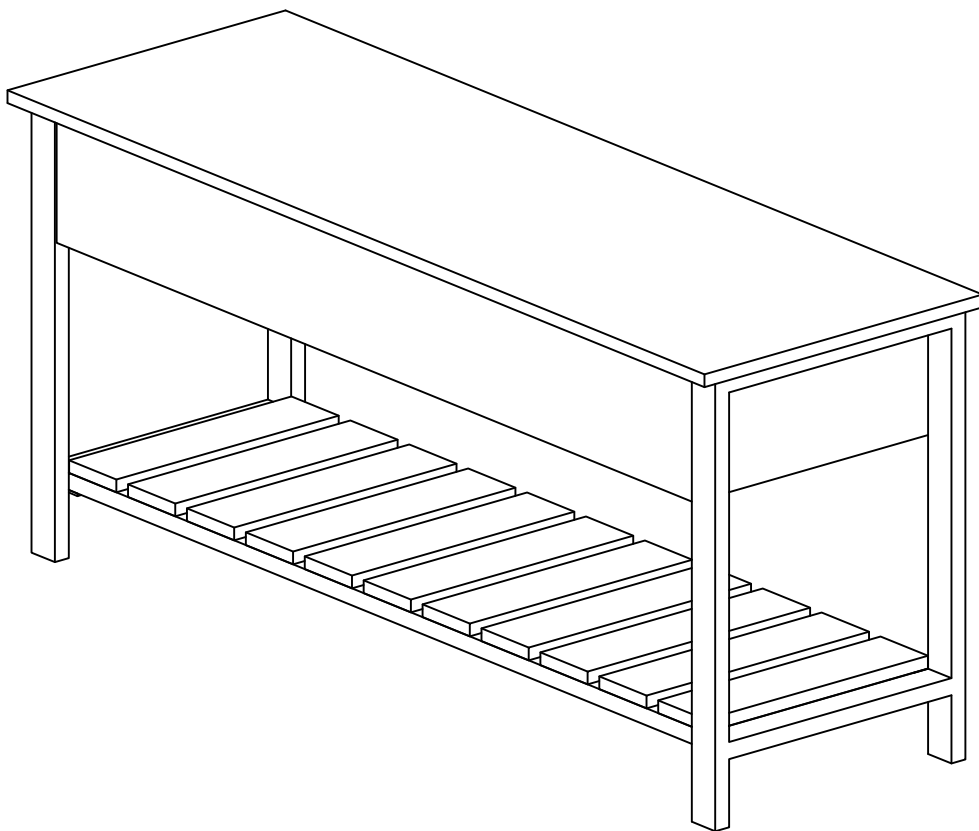




Item # : B48PCSB
Assembly Instructions

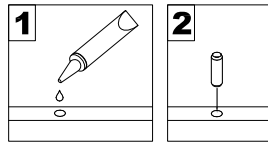


Please visit our website for the most current instructions, assembly tips, report damage, or request parts. www.walkeredison.com

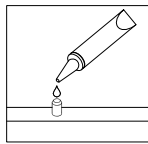
Revised 08/2017

General Assembly Guidelines

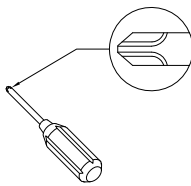
- I. Ensure that all parts and hardware are available before beginning assembly.
- II. Follow each step carefully to ensure the proper assembly of this product.
- III. Two people are recommended for ease in the assembly of this product.
- IV. The three main types of hardware used to assemble this product are : wood dowels , screws and bolts.
- V. The provided glue is to secure wood dowels in place . When first inserting dowels , locate the appropriate hole for the dowel , place a small amount of glue in the hole and insert the dowel . Wipe away excess glue immediately.



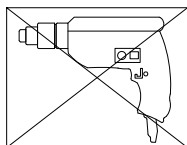
In future assembly steps when dowels are necessary to attach assembly parts together , place a small amount of glue on the end of the dowel before attaching parts together . Wipe away excess glue immediately.



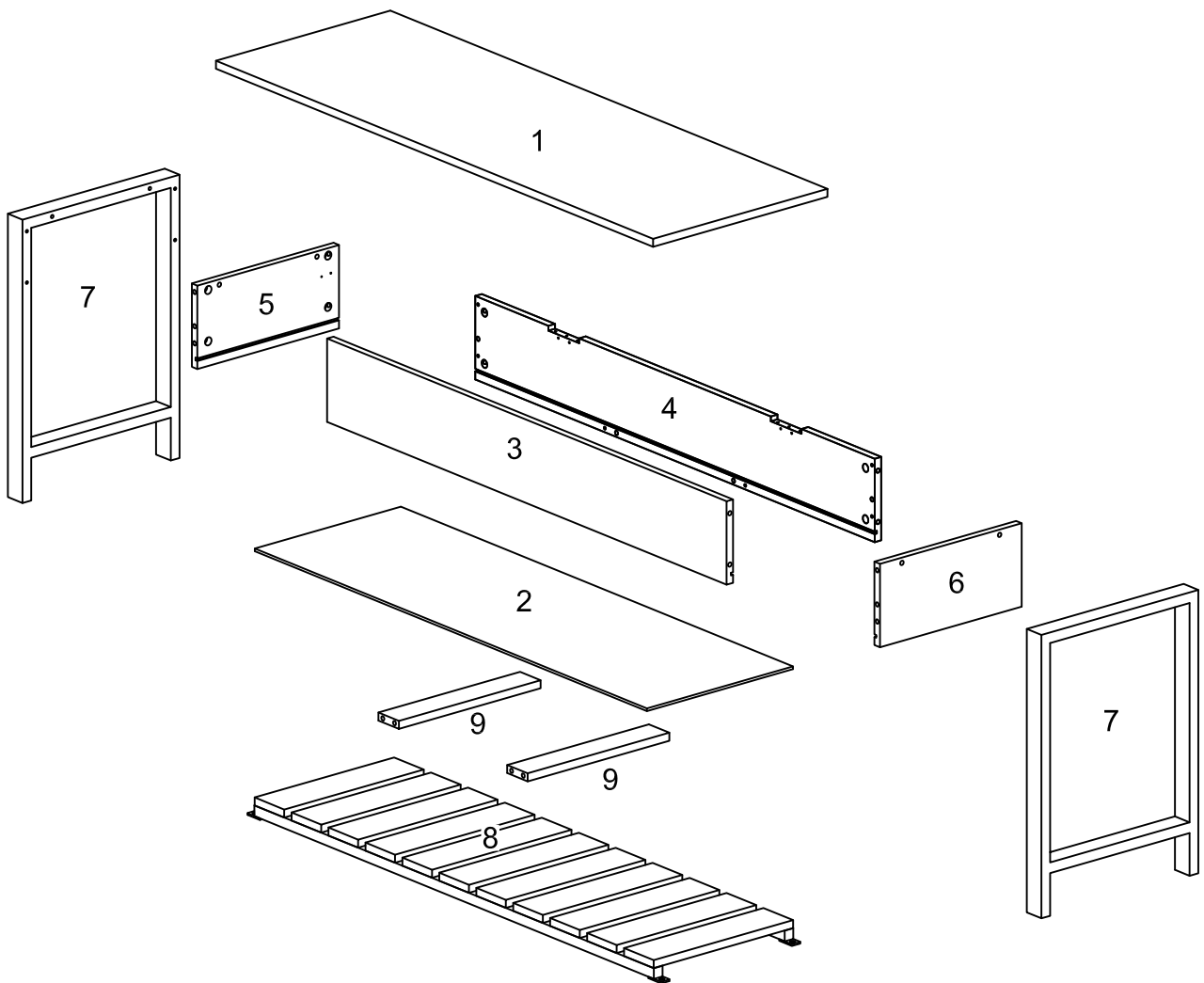
- VI. A Phillips head screwdriver is required for the assembly of this product .




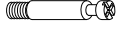



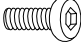
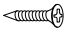
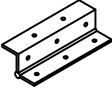






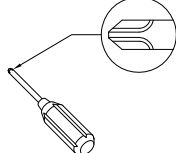
- VII. Power tools should not be used to assemble this product .



Parts List

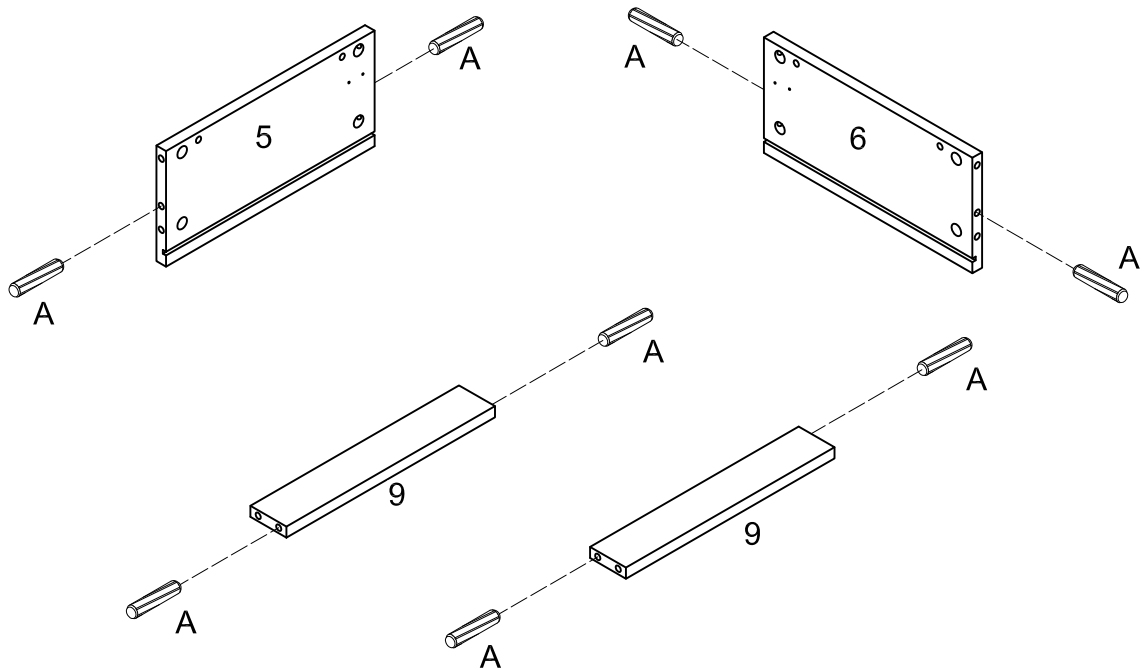


Hardware List

A		Ø8x30mm	Wooden dowel	8 pcs
B		Ø6x32mm	Cam bolt	8 pcs
C		Ø6x35mm	Cam bolt	12 pcs
D		Ø15x11mm	Cam lock	20 pcs
E		M6*25	Bolt	4 pcs
F		M6*12	Bolt	4 pcs
G		M4*15	Screw	24 pcs
H			Hinge	2 pcs
J		M30	Sticker	20 pcs
K			Cotton pad	2 pcs
L			Right hinge	1 pc
M			Left hinge	1 pc
N		M4	Wrench	1 pc
P	 		Glue tube Philips head screwdriver required for assembly (not included)	1 pc

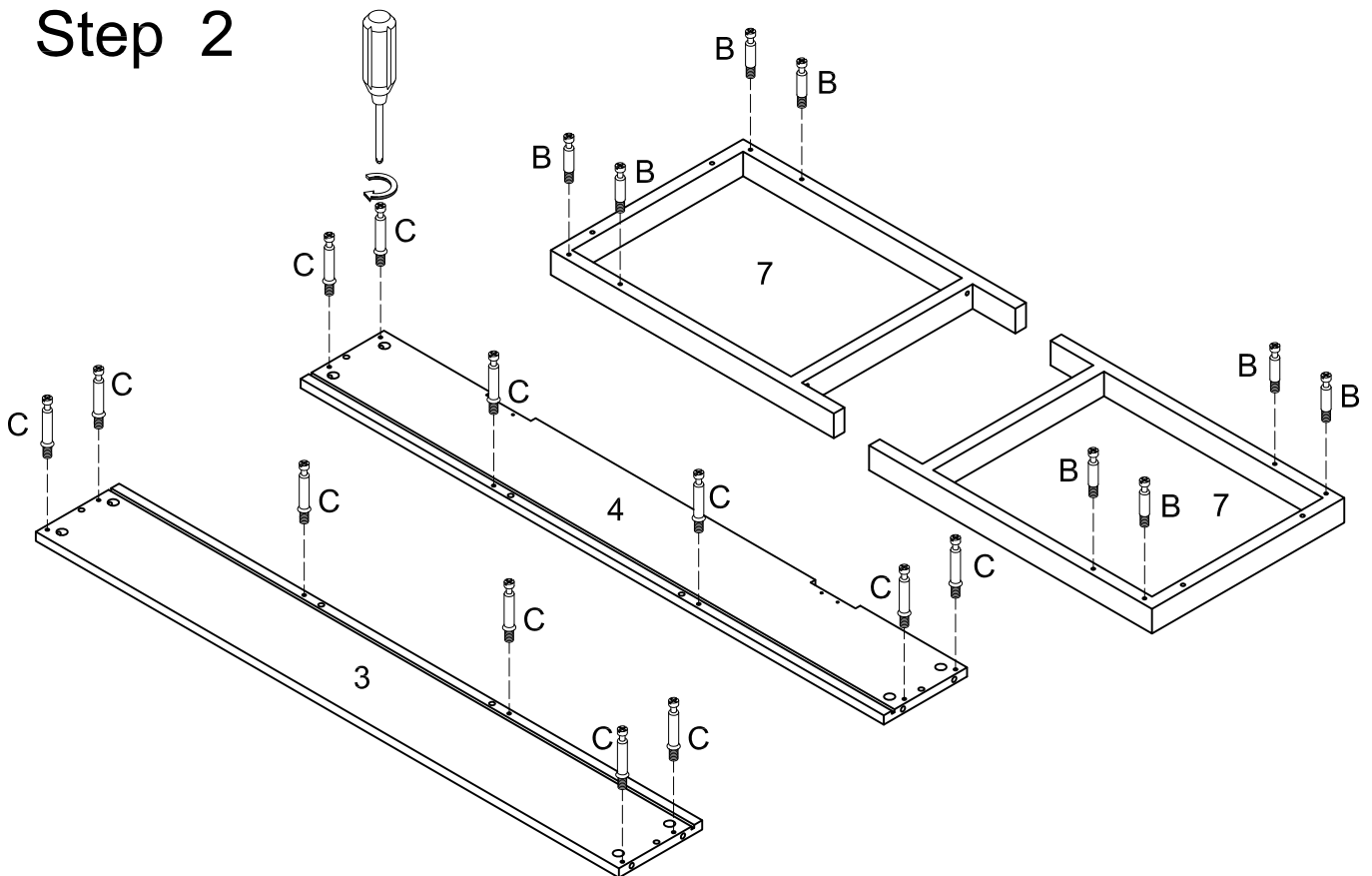
*The hardware quantities listed above are required for proper assembly.
Some extra hardware may also have been included.*

Step 1



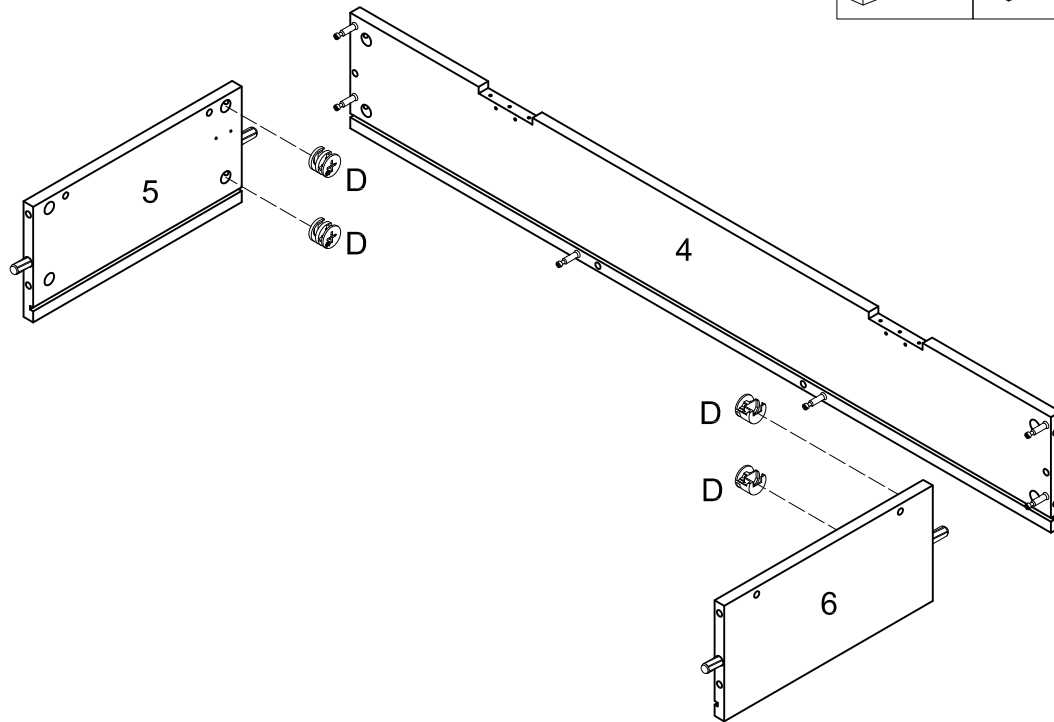
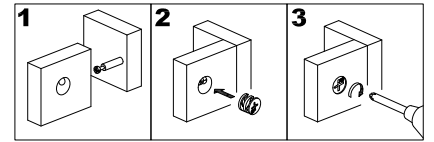
Insert wooden dowel (A) into side panel (5,6) and parts (9).

Step 2



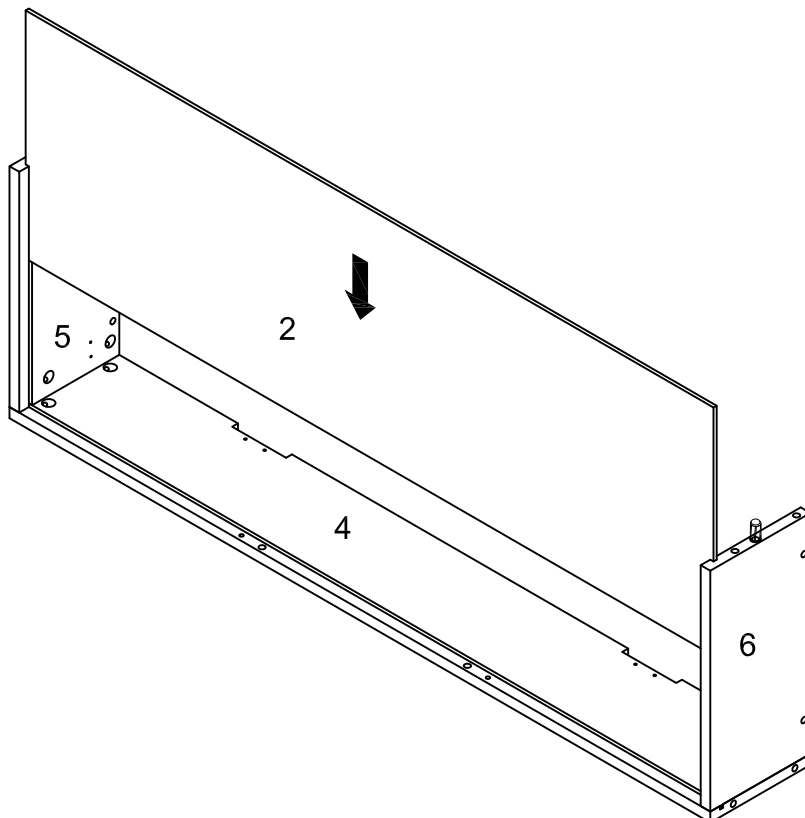
Secure cam bolt (C) to panel (3,4). Secure cam bolt (B) to side frame (7).

Step 3



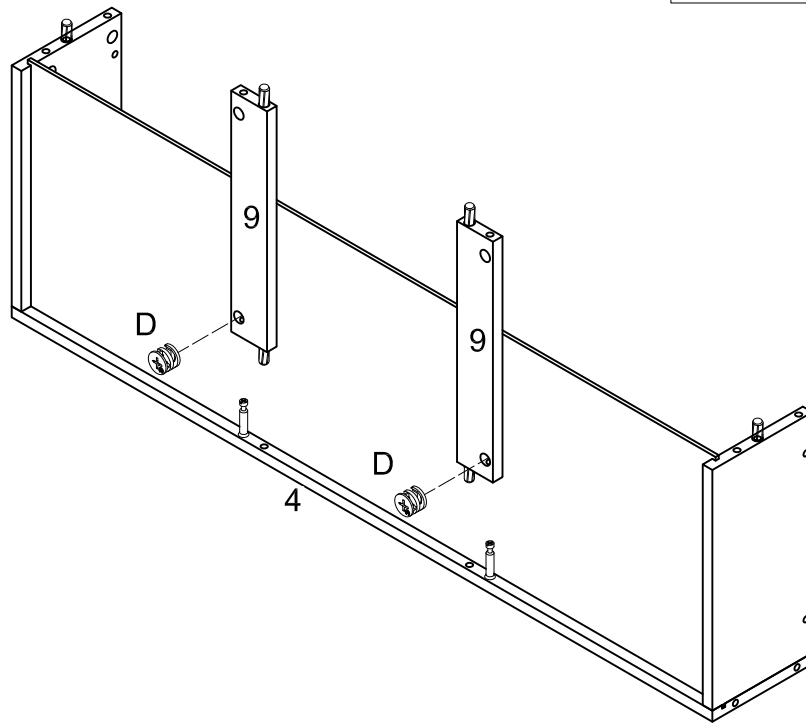
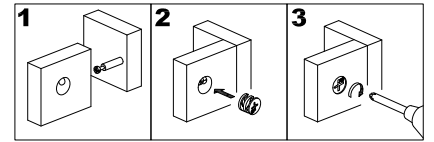
Insert side panel (5,6) to panel (4), then insert and secure cam lock (D) to side panel (5,6) to lock it.

Step 4



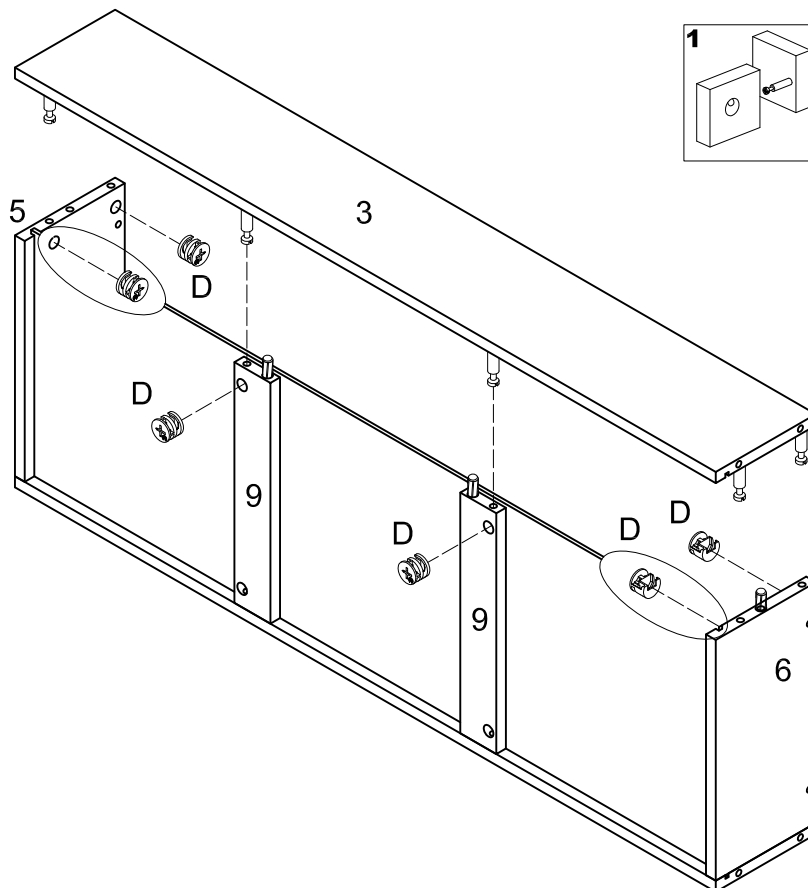
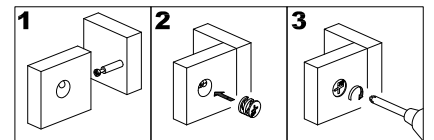
Insert bottom panel (2) through side panel (5,6).

Step 5



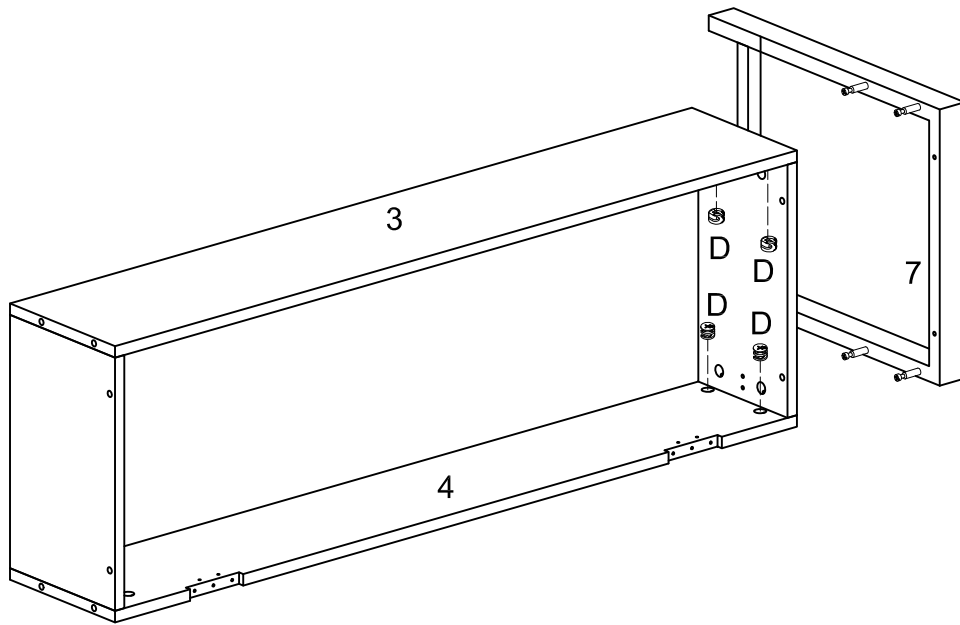
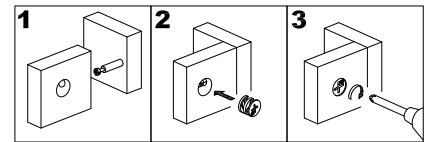
Insert parts (9) into panel (4), then insert and secure cam lock (D) to parts (9) to lock it.

Step 6



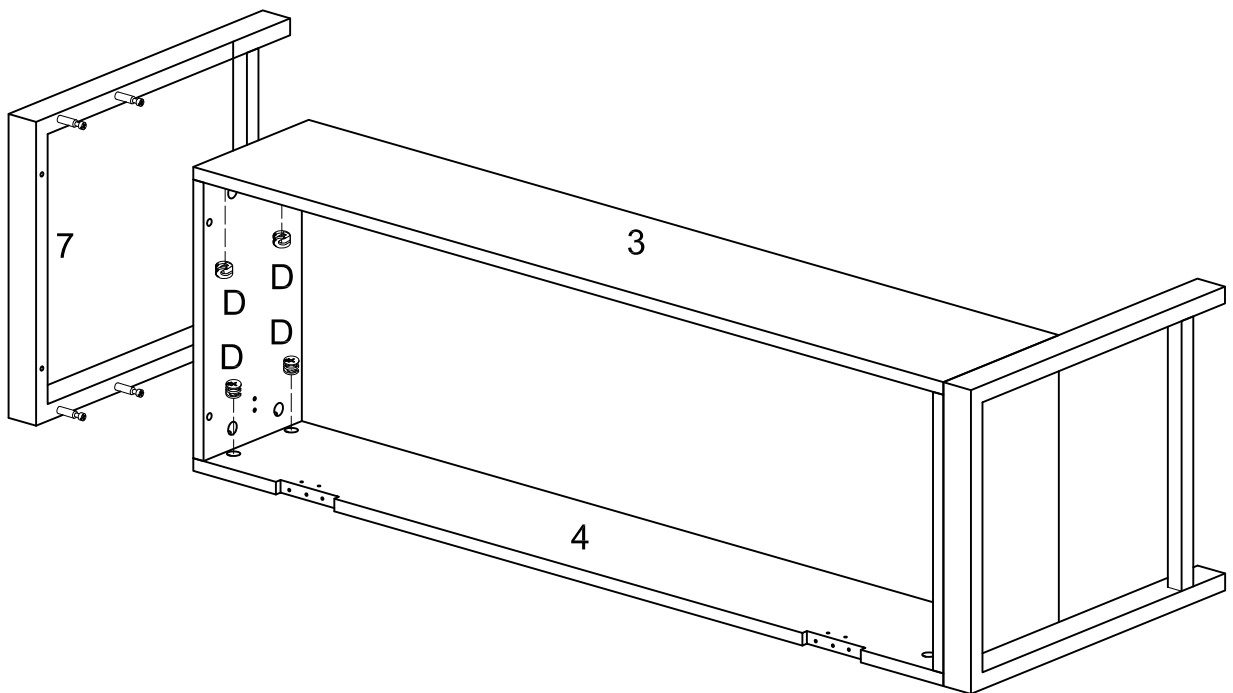
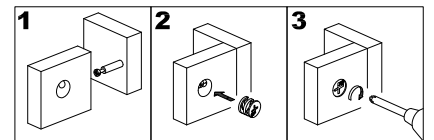
Insert panel (3) into side panel (5,6), then insert and secure cam lock (D) to parts (9) and side panel (5,6) to lock it.

Step 7



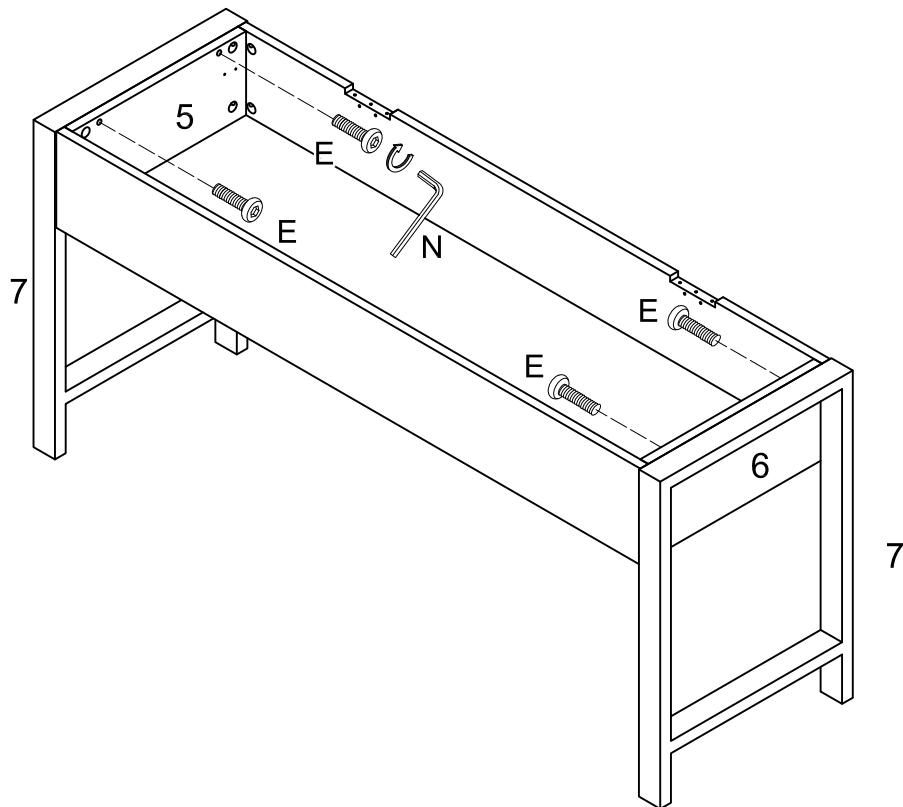
Insert side frame (7) into panel (3,4), then insert and secure cam lock (D) to panel (3,4) to lock it.

Step 8



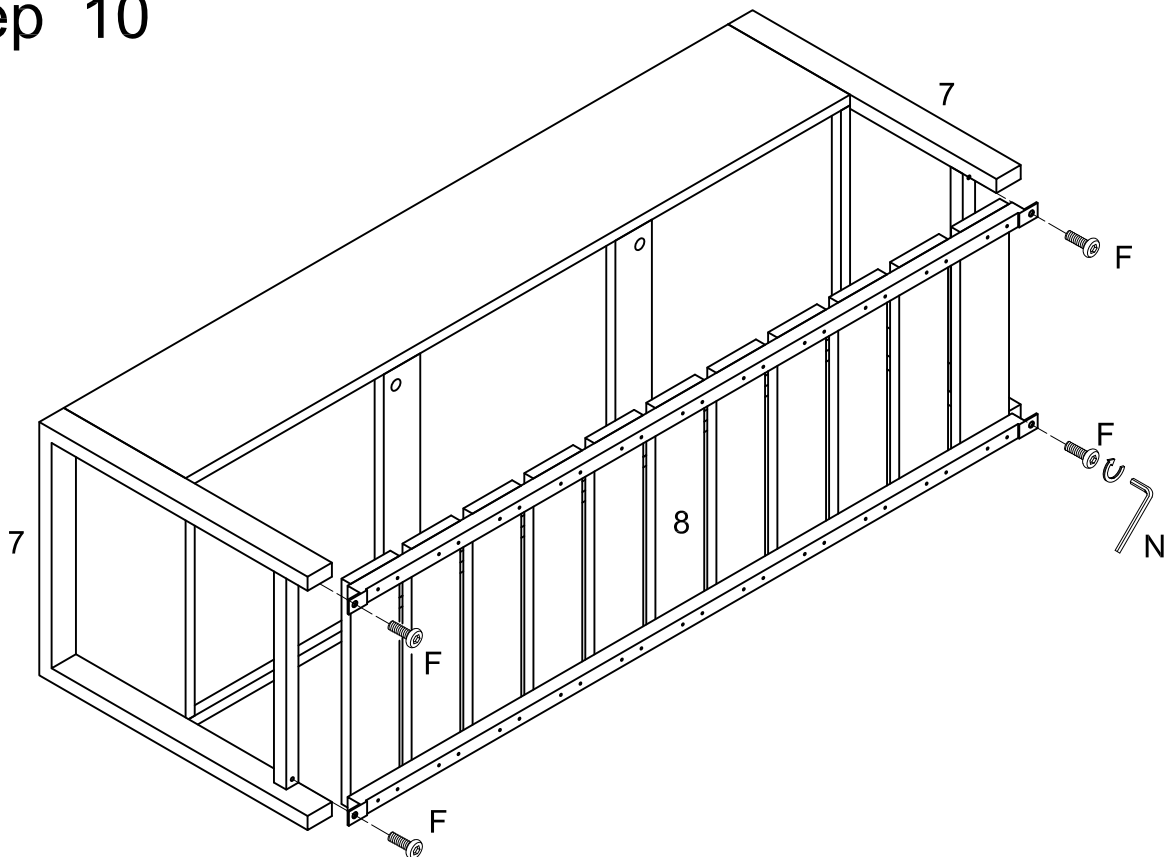
Insert side frame (7) into panel (3,4), then insert and secure cam lock (D) to panel (3,4) to lock it.

Step 9



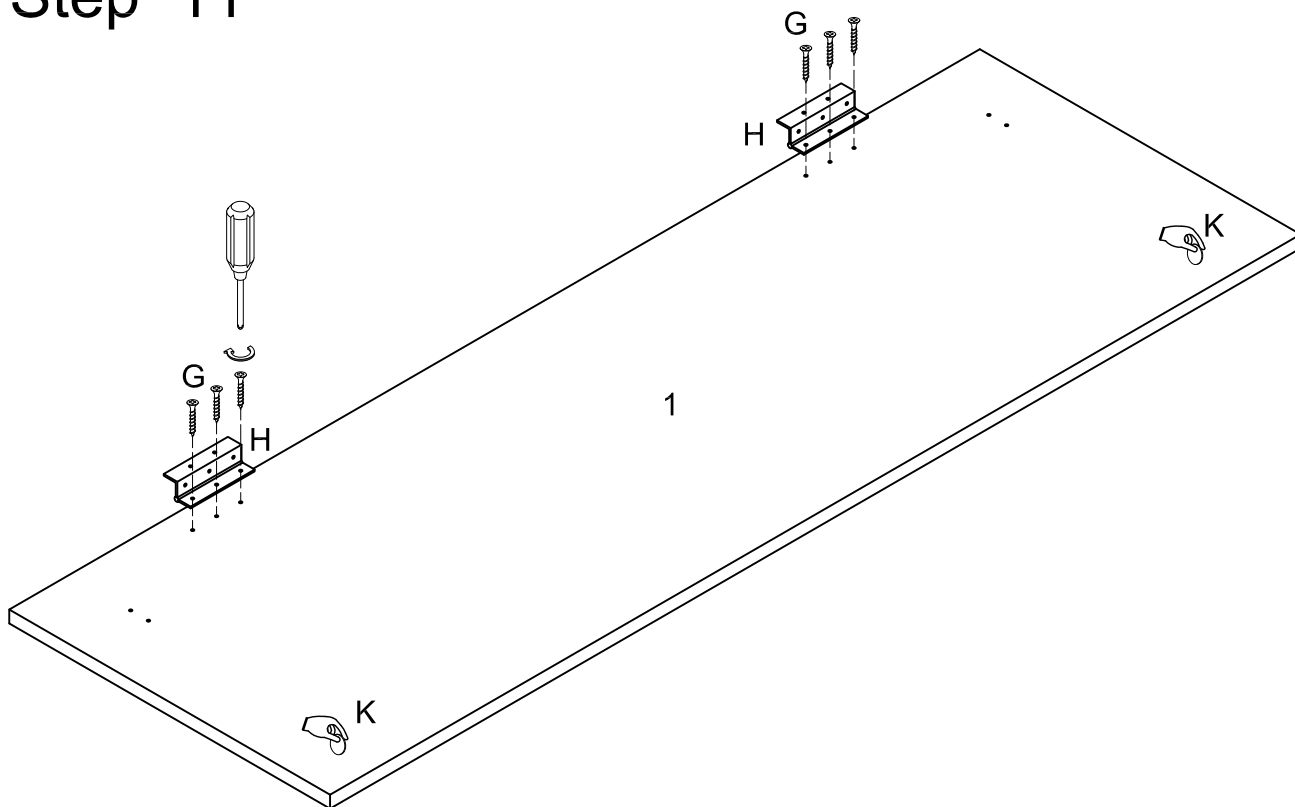
Use wrench (N) to secure side panel (5,6) to side frame (7) with bolt (E).

Step 10



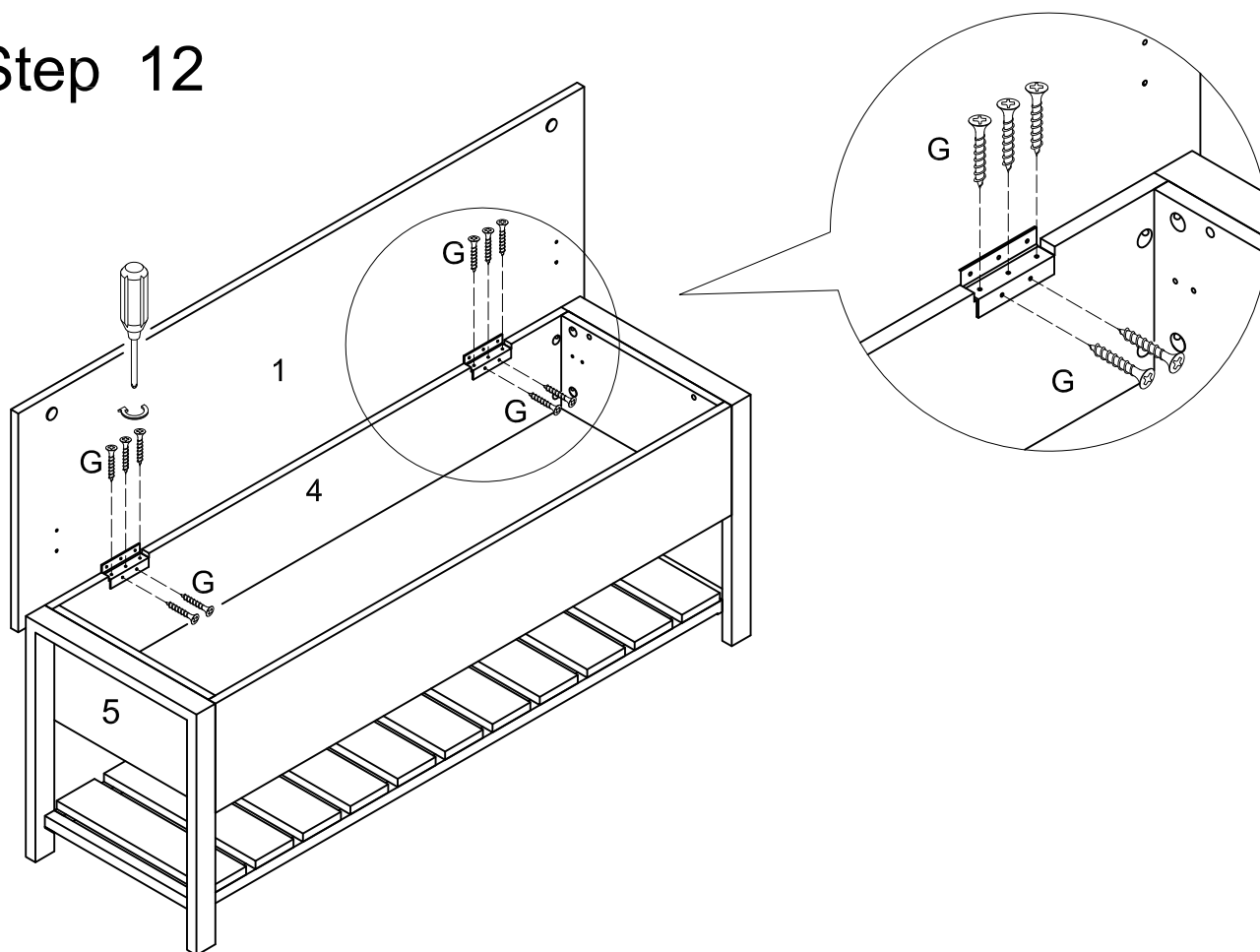
Use wrench (N) to secure bottom panel (8) to side frame (7) with bolt (F).

Step 11



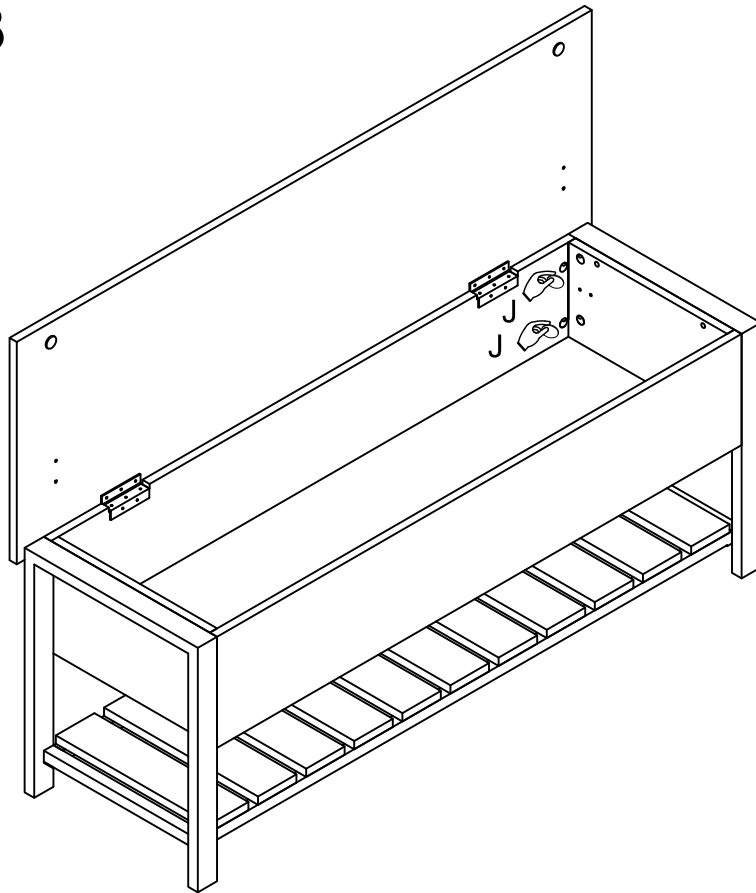
Secure hinge (H) to top panel (1) with screw (G). Place cotton pad (K) as per diagram.

Step 12



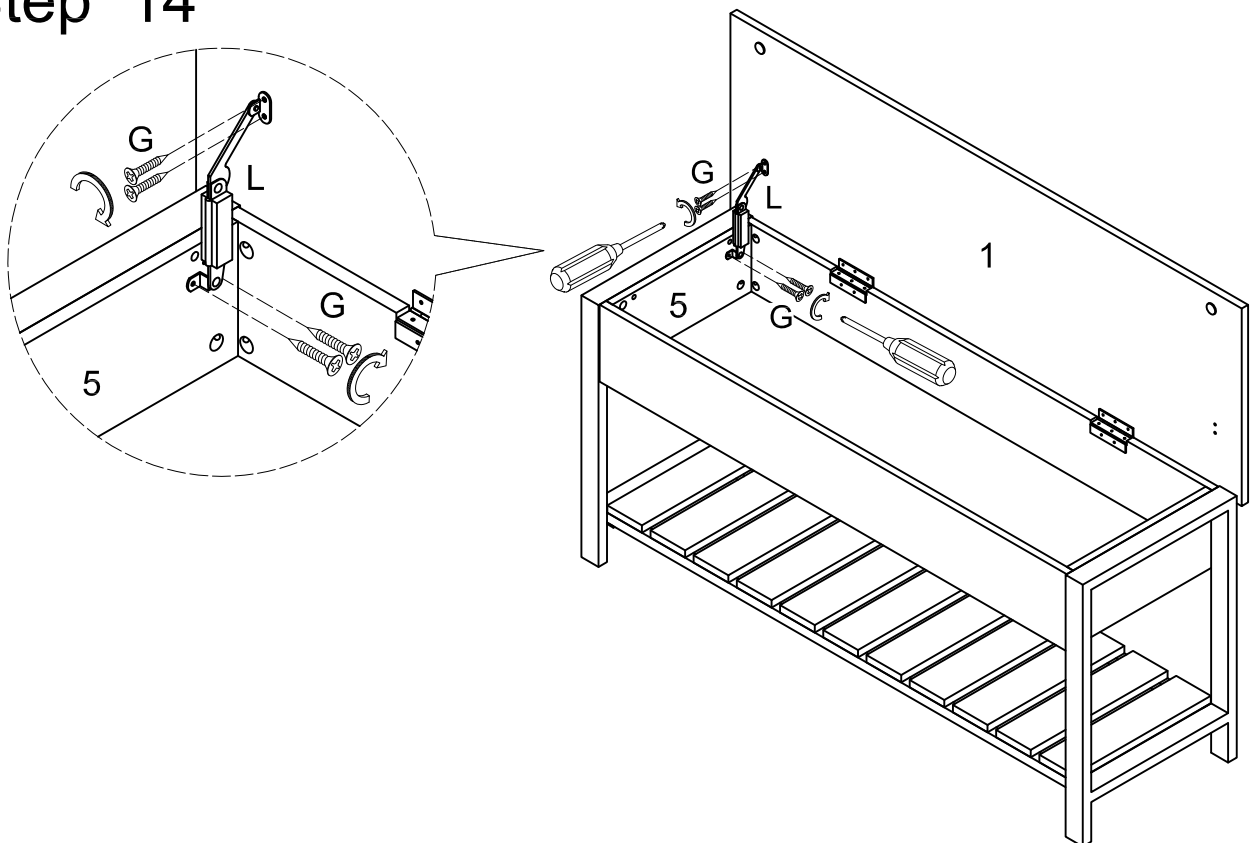
Secure top panel (1) and hinge (H) to panel (4) with screw (G) as per diagram.

Step 13



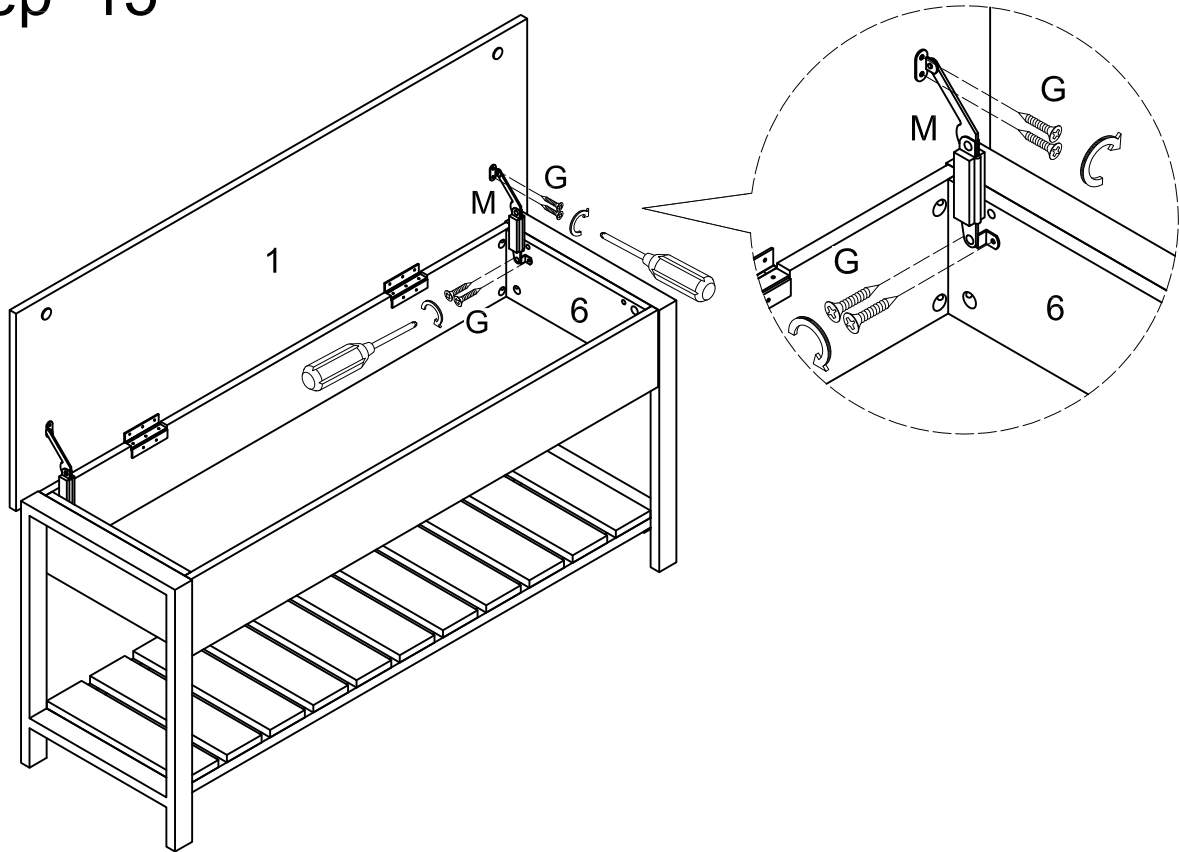
Place sticker (J) over holes as per diagram.

Step 14



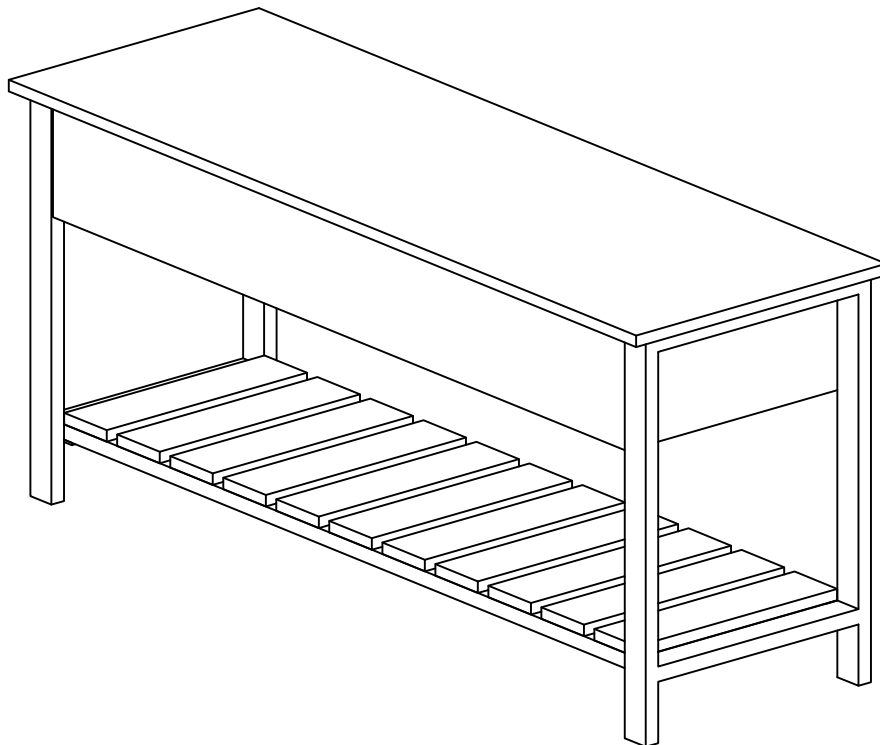
Secure right hinge (L) to side panel (5) and top panel (1) with screw (G).

Step 15



Secure left hinge (M) to side panel (6) and top panel (1) with screw (G).

Step 16



Final Assembly