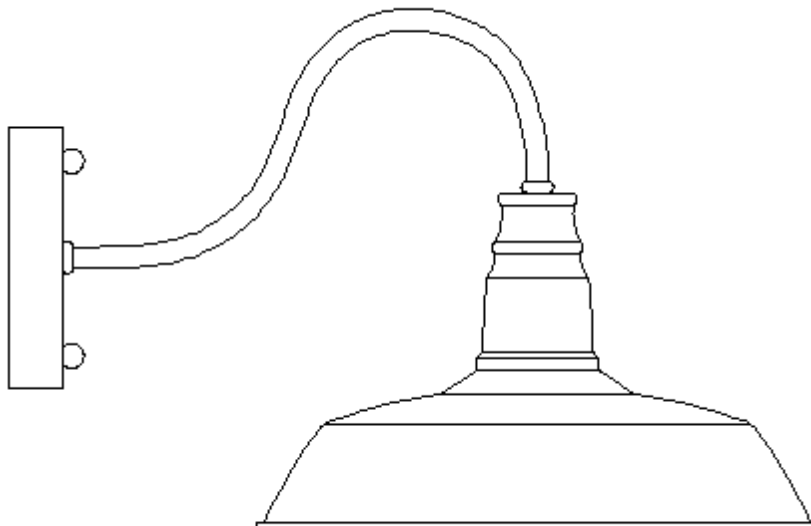


Item Number: A0224105

WARNING (To reduce the risk of fire, electric shock, or injury to persons):

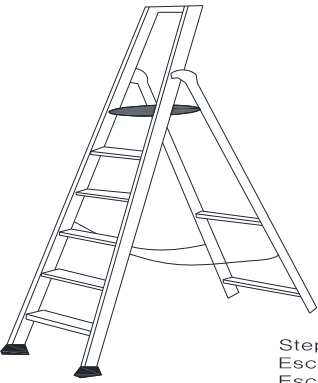
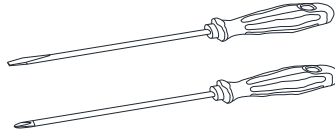
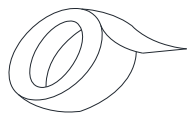
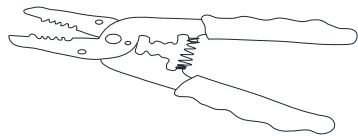
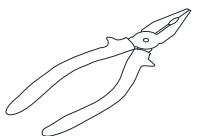
1. We suggest installation by a **licensed electrician**.
2. Please read the instruction carefully and save it as you may need it at later time.
3. Before you start, **NEVER** attempt any work without shutting off the electricity until the work is done. A). Go to the main fuse, or circuit breaker, box in your home. Place the main power switch in the **"OFF"** position. B). Place the wall switch in the **"OFF"** position.
4. Mounting surface should be clean, dry, flat, strong enough and 1/4" larger than the canopy on all side. Any gaps between the mounting surface and canopy exceeding 3/16" should be corrected as required.
5. Make sure that the ceiling or wall can stand the weight of the lamp before fixture.
6. Make sure the voltage you are using is **120V**. The maximum wattage is **60W** per bulb.
7. Keep the lamp away from acidic and basic objects in case of damaging the surface of the lamp.
8. When replacing bulb, you should turn off or unplug the lamp and you must wait until it is cool as bulbs get hot quickly.
9. The safety instructions appearing in this manual are not meant to cover all possible conditions that may occur. It must be understood that common sense, caution and care must be used with any electrical products.

IMAGE FOR FINISHED PRODUCT:



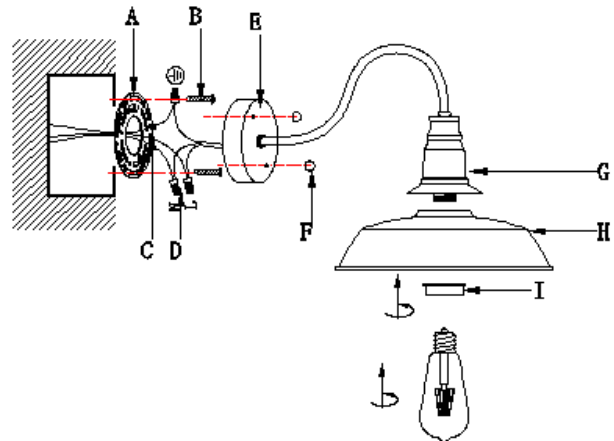
TOOLS REQUIRED (NOT INCLUDED):

Before doing assembly and installation please prepare the needed tools as below picture

 <p>Step Ladder Escabeau Escalera</p>	 <p>Phillips Head, Flat Blade Screwdrivers Tournevis à tête Phillips et à tête plate Destornilladores Cabeza Phillips y Destornilladores Cabeza Plana</p>	 <p>Electrical tape Ruban isolant Cinta Eléctrica.</p>
	 <p>Wire Cutter/Stripper Pince coupe-fil/ à dénudé Cortador de Cable</p>	 <p>Plier Pince Alcates</p>

PARTS INCLUDING:

- (A) Mounting plate A (1)
- (C) Green ground screw C (1)
- (E) Canopy E (1)
- (F) Threaded ball F (2)
- (G) Socket cap G (1)
- (H) Shade H (1)
- (I) Ring I

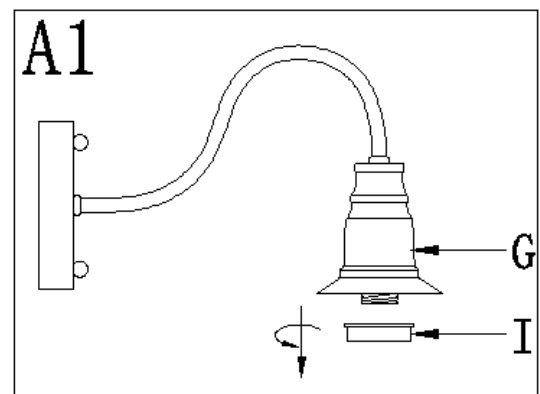


ACCESSORIES ENCLOSED:

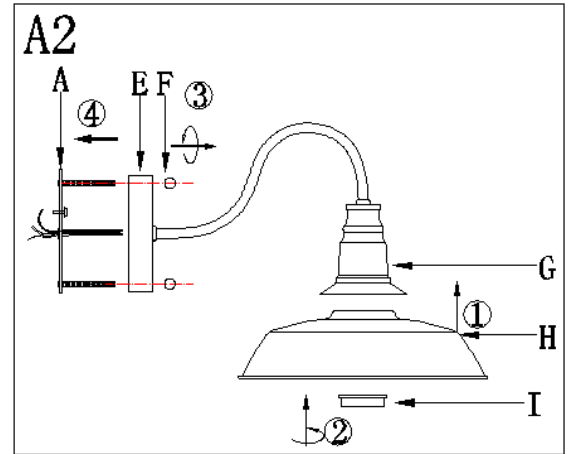
- (B) Mounting screw B (2)
- (D) Plastic Wire Connectors D (3)

ASSEMBLY & INSTALLATION INSTRUCTIONS:

1. Open the package and take out all the parts or accessories, then place them on a clean flat place.
2. Turn off power
3. Unscrew Ring I from socket (REFER TO CHART A1)

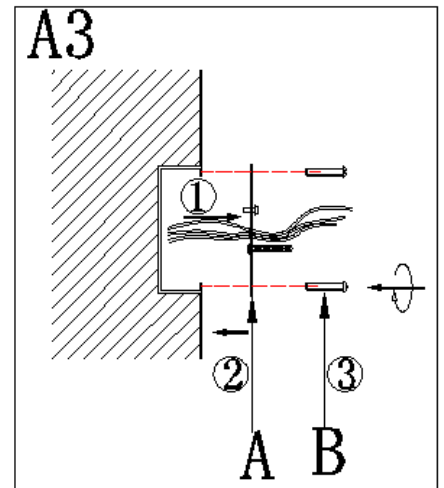


4. Tighten shade H to socket cap G by screwing the ring I (REFER TO CHART A2)

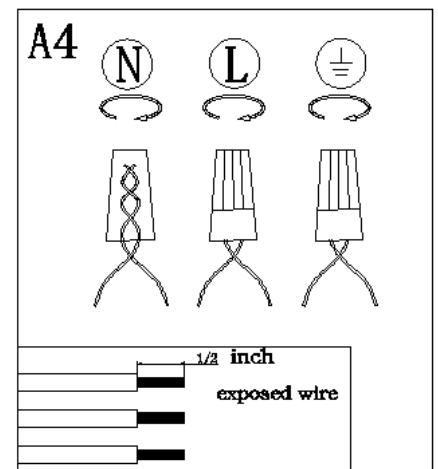


5. Unscrew threaded ball F and take out mounting plate A from canopy E. (REFER TO CHART A2)

6. Attach mounting plate A to outlet box by mounting screw B (REFER TO CHART A3)

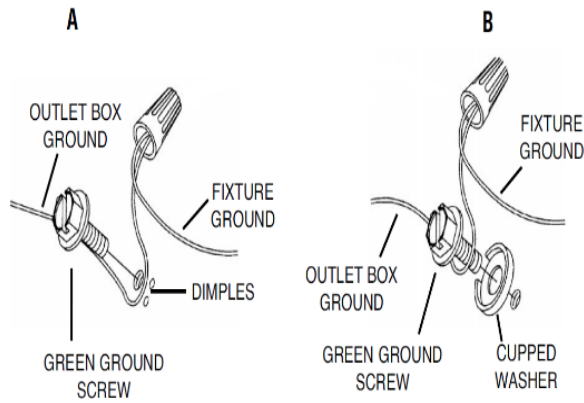


7. Connect wire as below (REFER TO CHART A4)



IMPORTANT NOTE:

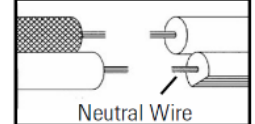
Connect ground wire according to below chart



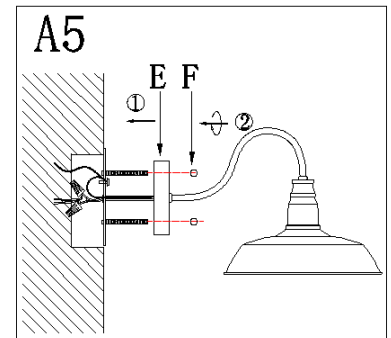
Connect wires according to below chart

Connect Black or Red Supply Wire to:	Connect White Supply Wire to:
Black	White
*Parallel cord (round & smooth)	*Parallel cord (square & ridged)
Clear, Brown, Gold or Black without tracer	Clear, Brown, Gold or Black with tracer
Insulated wire (other than green) with copper conductor	Insulated wire (other than green) with silver conductor

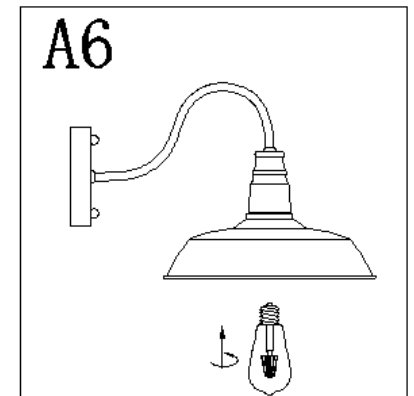
*Note: When parallel wires (SPT I & SPT II) are used. The neutral wire is square shaped or ridged and the other wire will be round in shape or smooth (see illus.)



8. Push canopy E to wall, carefully passing mounting screws through holes in canopy E. and then tighten it with threaded ball F (REFER TO CHART A5)



9. Install bulb (not included) (REFER TO CHART A6)



10. Check everything installed correct, then you could turn on the light.