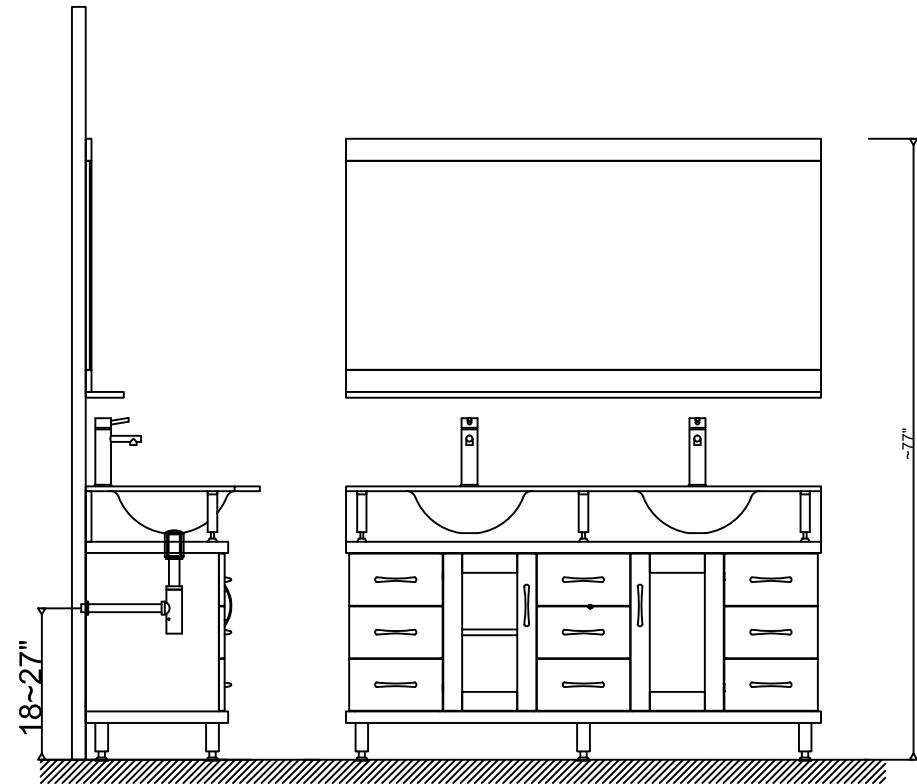


Prior to installation, please check the items you have received against the packing list. Report any missing items to your local dealer immediately.

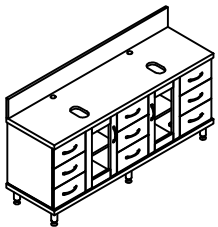
Protect all surfaces from sharp objects, high heat sources, direct prolonged sunlight and chemical hazards.

Professional installation is recommended.

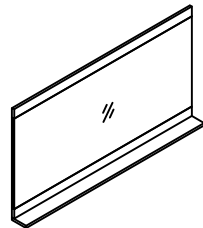


PARTS LIST (may differ depending on purchase)

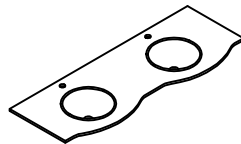
Cabinet

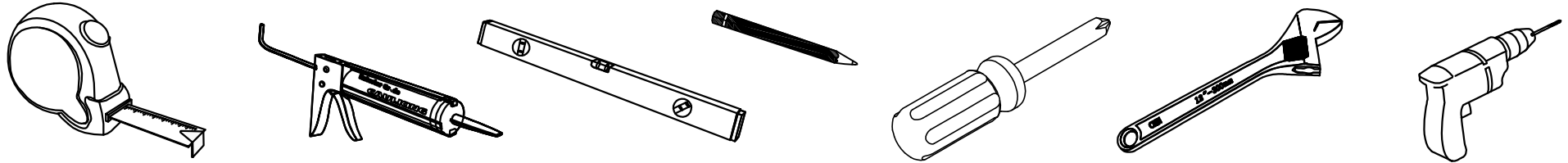
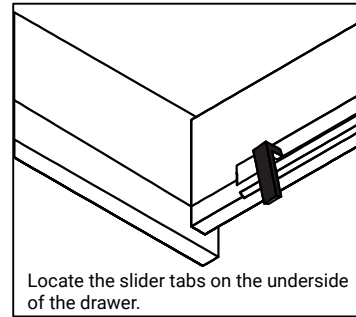
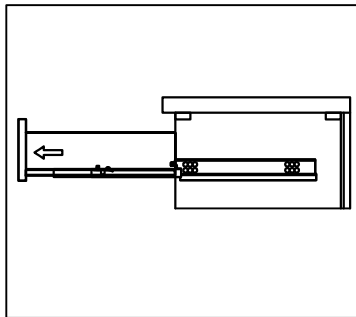
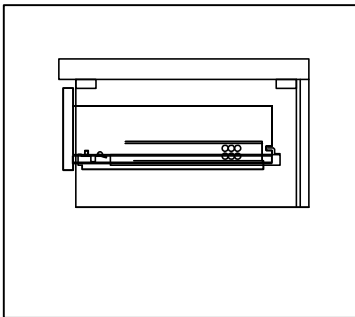


Mirror



Basin

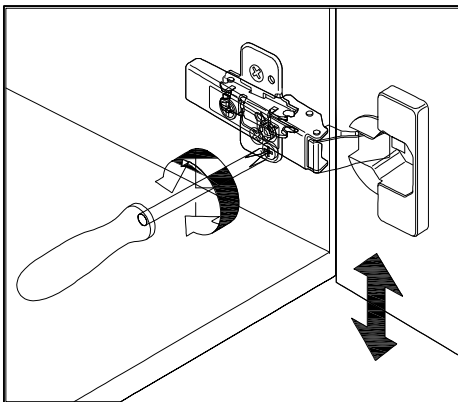


REQUIRED TOOLS**DRAWER REMOVAL****REMOVAL**

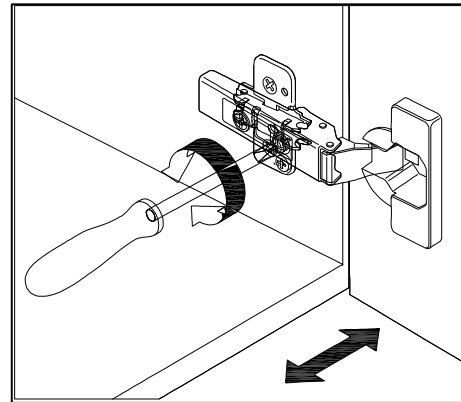
1. Pull tabs toward center
2. Lift and pull drawer out

RE-INSTALL

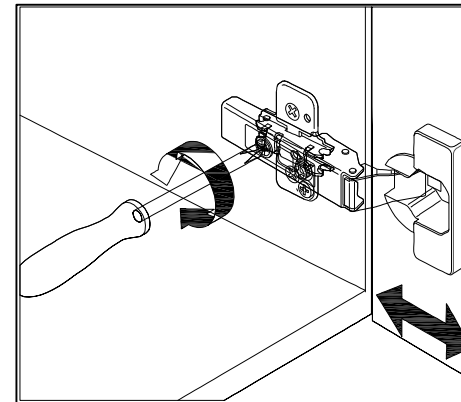
1. Align drawer hole with slider stud
2. Push tabs back in to secure

DOOR ADJUSTMENT

Adjusts the door vertically

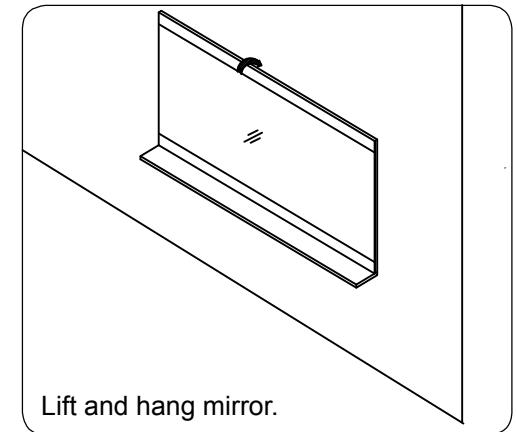
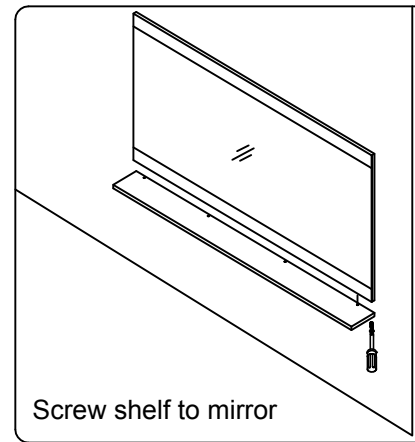
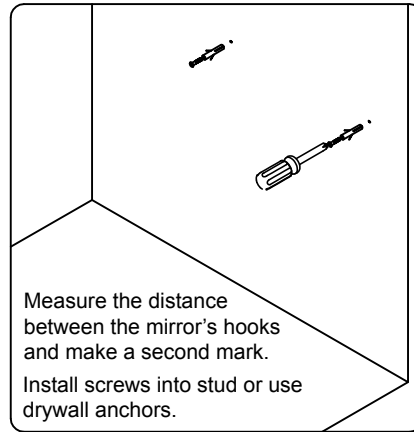
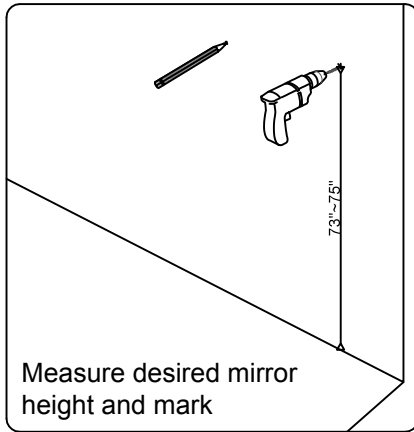


Adjusts the door horizontally

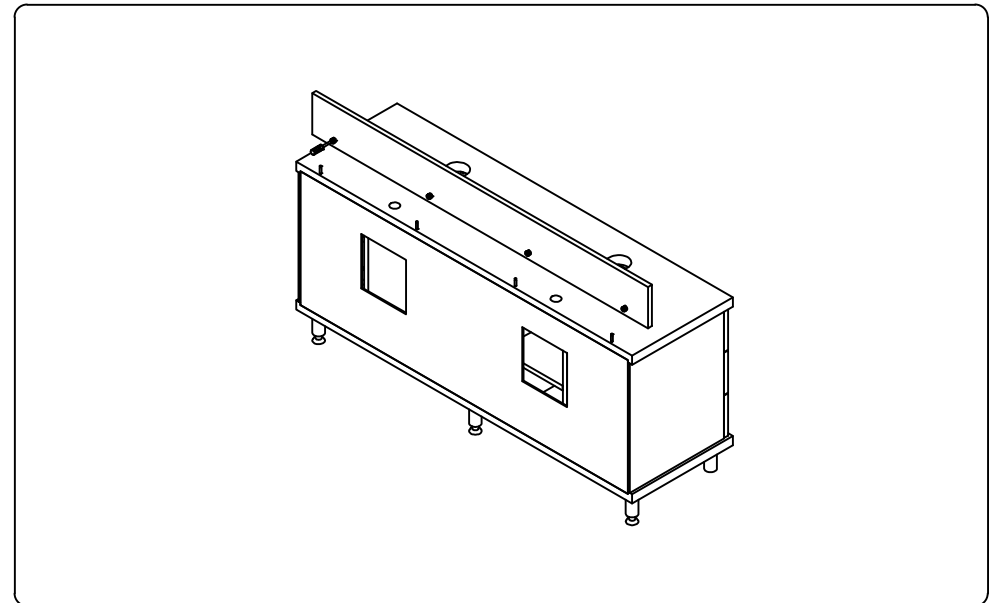
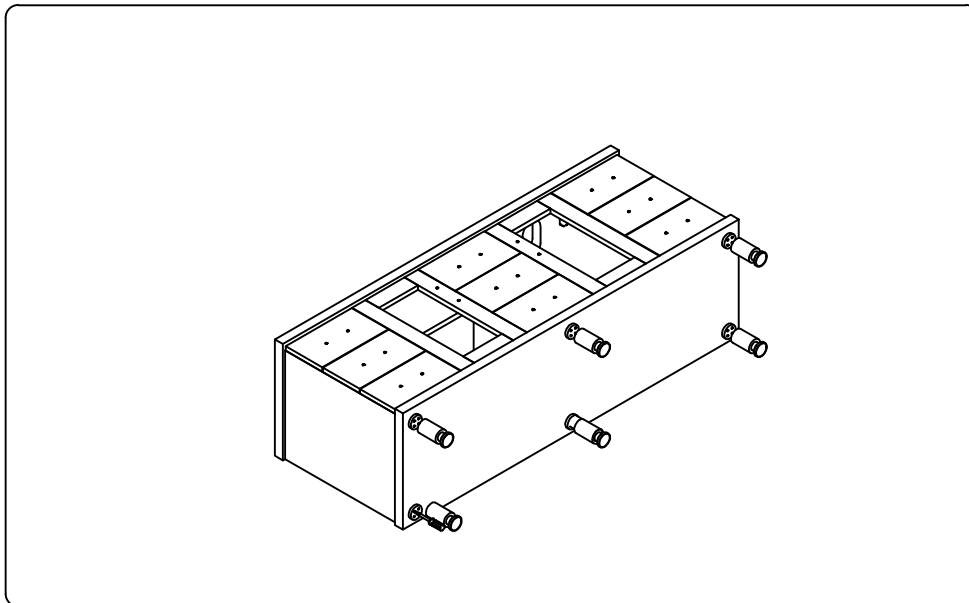


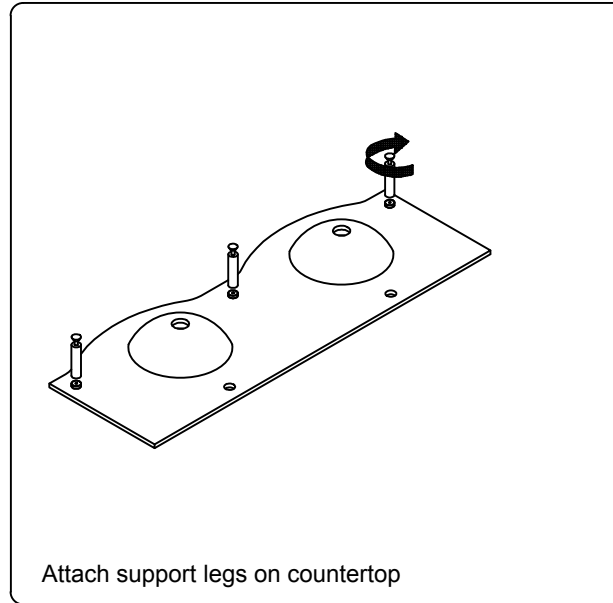
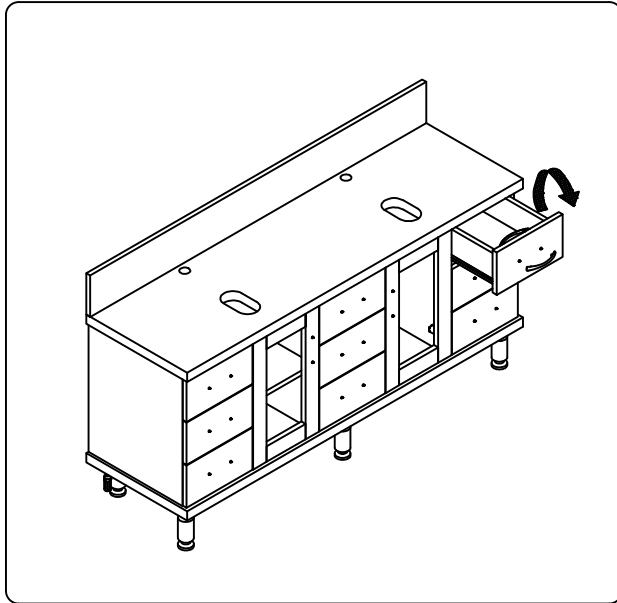
Adjusts the door forward and backwards

Mirror Installation

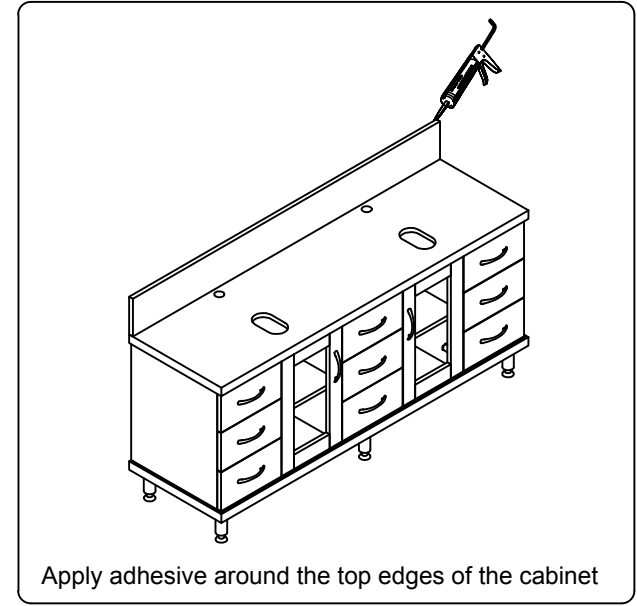


Top Installation

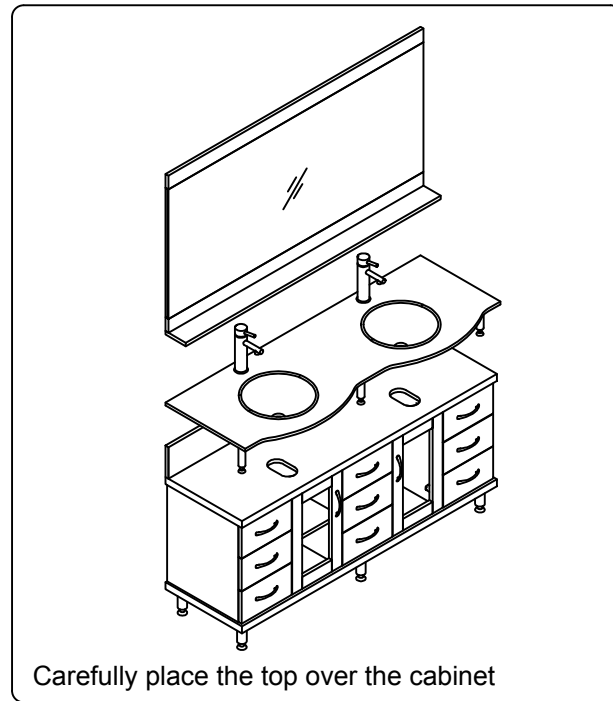
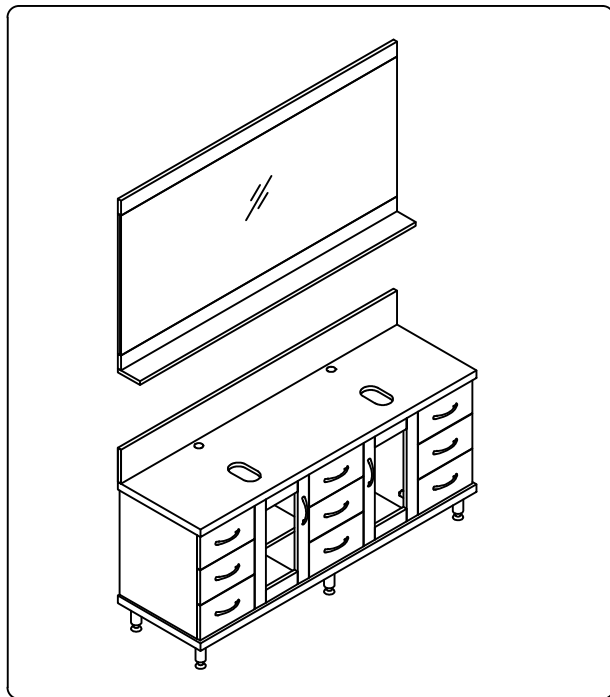




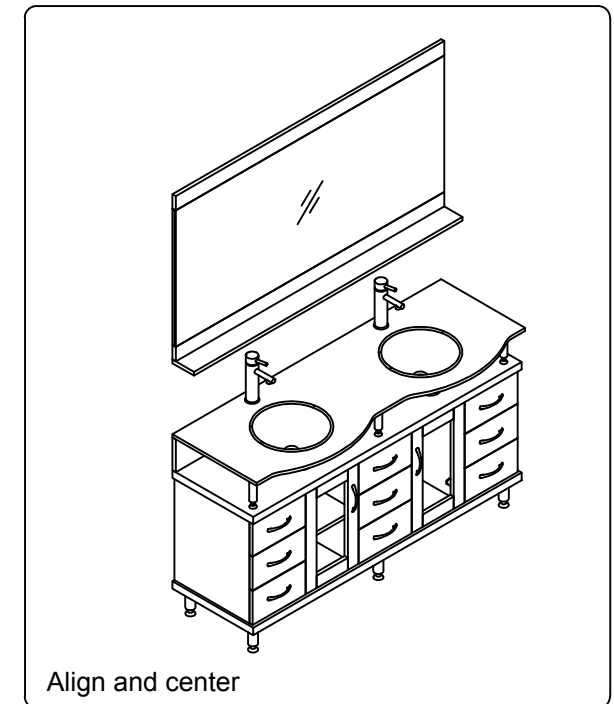
Attach support legs on countertop



Apply adhesive around the top edges of the cabinet



Carefully place the top over the cabinet



Align and center