

16770



Call Us First!
DO NOT RETURN TO STORE.

For immediate help with assembly or product information

call our toll-free number:

1-888-827-9056

or email:

customerservice@backyardproductsllc.com

Our staff is ready to provide assistance.

April through October M - F 8:00 AM to 7:00 PM EST

Saturday 8:30 AM to 4:30 PM EST

November through March M - F 8:00 AM to 5:00 PM EST

(This page intentionally left blank.)

GABLE

10' x 8' (305 x 244)

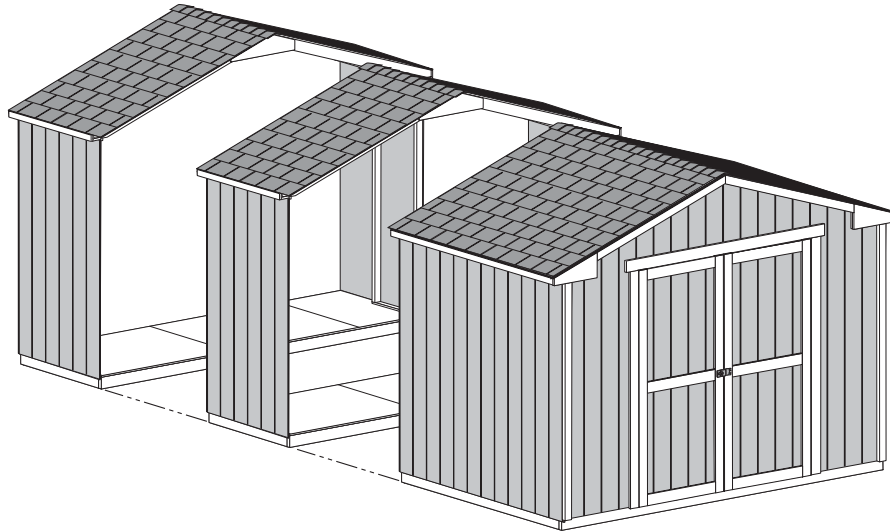
ASSEMBLY MANUAL

16770

06/16/2011

	BUILDING SIZE	ACTUAL FLOOR SIZE
BASE MODEL	10' x 8' (305 x 244 cm)	10' x 7' 8-5/8" (305 x 235,3 cm)
ADD ONE 10' x 4'	10' x 12' (305 x 365,8 cm)	10' x 11' 8-5/8" (305 x 357,2 cm)
ADD TWO 10' x 4'	10' x 16' (305 x 487,7 cm)	10' x 15' 8-5/8" (305 x 479 cm)

KEEP THIS MANUAL FOR FUTURE REFERENCE



⚠ IMPORTANT! ⚠

READ INSTRUCTIONS THOROUGHLY PRIOR TO BEGINNING ASSEMBLY.

BEFORE YOU BEGIN

• **BUILDING RESTRICTIONS AND APPROVALS**

Be sure to check with local building department and homeowners association for specific restrictions and/ or requirements before building.

• **ENGINEERED DRAWINGS**

Contact our Customer Service Team if engineered drawings are needed to pull local permits.

• **SURFACE PREPARATION**

To ensure proper assembly you must build your shed on a level surface. Recommended methods and materials to level your shed are listed on page 10.

• **CHECK ALL PARTS**

Inventory all parts listed on pages 3 - 5. Contact our Customer Service Team if any parts are missing or damaged.

• **ADDITIONAL MATERIALS**

You will need additional materials to complete your shed. See page 6 for required and optional materials and quantities.



- CUSTOMER SERVICE -



Call: 1-888-827-9056 email: customerservice@backyardproductsllc.com

TOOLS

Required


Phillips Screwdriver 

Drill / Driver
 3/8" Drill Bit
 #2 Philips Drive Bit

Hammer 

Level 


Pencil 

Tape Measure 

Square 

Utility Knife 
 Shingle Blades 

Caulk Gun 

Paint Tools 

Safety Glasses 


Ladder 

Optional

Tool Belt/ Nail Pouch 

Tin Snips (for drip edge) 

Chalk Line 

Nail Gun
 • gun nails 

Gloves 

Safety! Always use approved safety glasses during assembly.

HELPFUL REMINDER SYMBOLS

Look for these symbols for helpful reminders throughout this manual.



= Assistance Required; two or more people.



= Ensure squareness.



= Important required step or operation.



= Helpful assembly hint.



= Mark part with pencil.



BEGIN = Beginning of steps for assembly or installation.



FINISH = You have finished the assembly or installation.

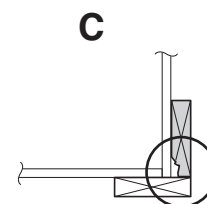
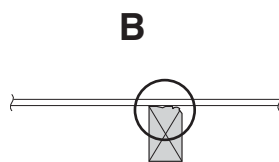
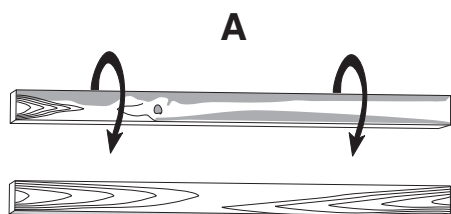


= Level

ORIENT LUMBER AND TRIM FOR BEST APPEARANCE

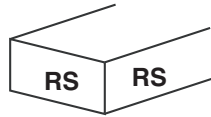
Framing lumber is graded for structural strength and not appearance. Exterior trim is graded for one good side.

Always install the material leaving the best edge and best surface visible. Please remember that these blemishes in no way negatively affect the strength or integrity of our product. (See Fig. A, B, C.)



PARTS IDENTIFICATION AND SIZES

Part identification is stamped on some parts.



• Check these locations for part stamp.

Nominal Board Size	Actual Size
2" x 4"	1-1/2" x 3-1/2" (3,8 x 8,9 cm)
1" x 4"	3/4" x 3-1/2" (1,9 x 8,9 cm)
2" x 3"	1-1/2" x 2-1/2" (3,8 x 6,3 cm)
1" x 3"	3/4" x 2-1/2" (3,8 x 6,3 cm)






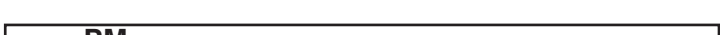

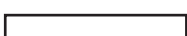
10x8'





GABLE 10' X 8' PARTS LIST

INVENTORY YOUR PARTS before you begin.
We suggest sorting parts by the category they are listed in.

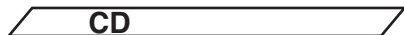



WALL

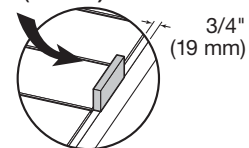
- x1  **LT** 2 x 3 x 22-1/8" (5 x 7,6 x 56 cm)
- x2  **NH** 2 x 3 x 46-1/4" (5 x 7,6 x 117,5 cm)
- x6  **OV** 2 x 3 x 69" (5 x 7,6 x 175,3 cm)
- x4  **OY** 2 x 3 x 72" (5 x 7,6 x 183 cm)
- x4  **PB** 2 x 3 x 77" (5 x 7,6 x 196 cm)
- x2  **PM** 2 x 3 x 92-5/8" (5 x 7,6 x 235,3 cm)
- x2  **PR** 2 x 3 x 94-1/2" (5 x 7,6 x 240 cm)
- x4  7/16 x 2-1/2 x 24-3/4" (1,1 x 6,3 x 62,9 cm)

RAFTERS

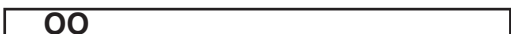

- x6  6 x 24" (15 x 61 cm)
- x6  **CV** 2 x 4 x 65-7/8" (5 x 10 x 167 cm)

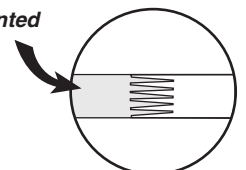
TRIM

- x4  **CD** 2 x 3 x 54-5/16" (5 x 7,6 x 138 cm)
- x2  **HS** 1 x 3 x 94-3/4" (2,5 x 7,6 x 240,1 cm)
- x5 **GAA** 1 x 3 x 5" (2,5 x 7,6 x 12,7 cm) **ONE USED AS A GAUGE BLOCK FOR 3/4" (19 mm) MEASUREMENT**
- x4  **GBZ** 1 x 3 x 8-1/2" (2,5 x 7,6 x 21,6 cm)
- x4  3/4 x 6-1/4 x 11-7/8" (1,9 x 15,8 x 30 cm) **RIGHT PAINTED RED**
LEFT PAINTED GREEN

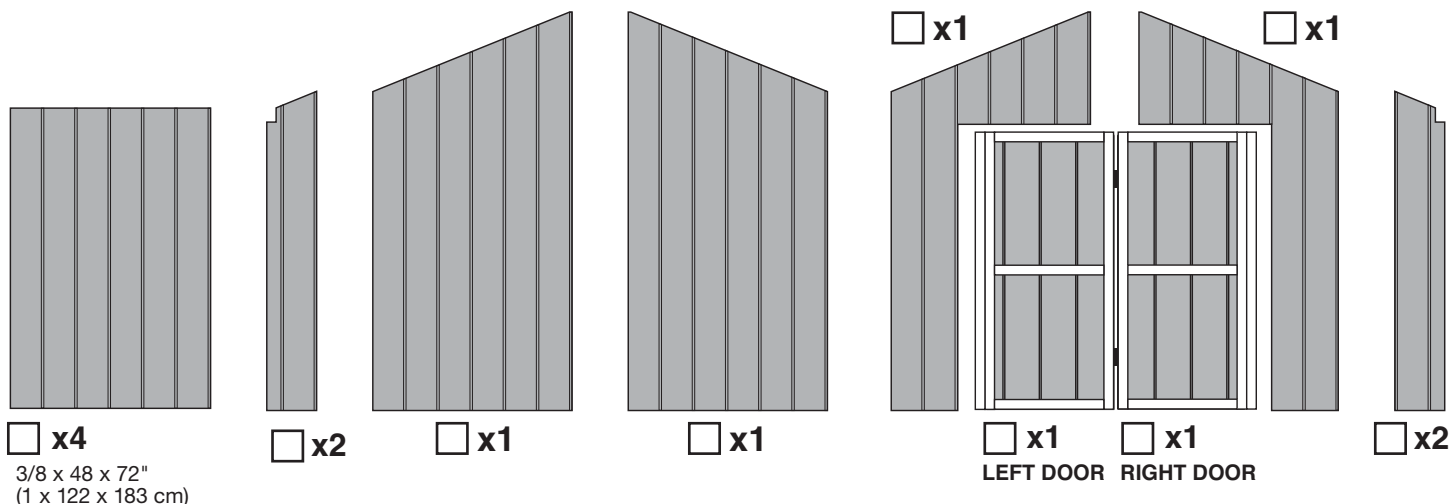


DOOR

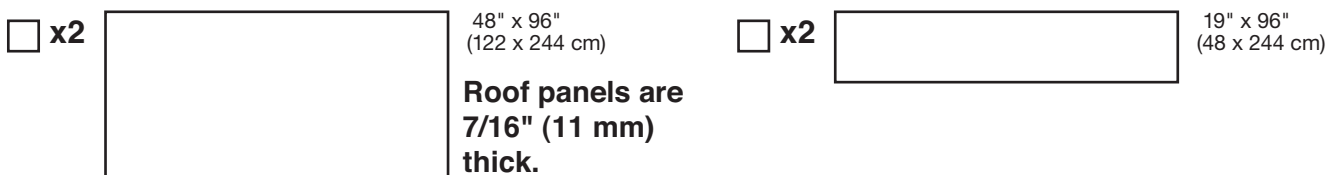
- x2  **OO** 2 x 3 x 69" (5 x 7,6 x 175,3 cm) *Finger Jointed*
- x1  **ZJ** 5/8 x 3 x 72" (1,6 x 7,6 x 183 cm)



WALL PANEL & DOORS PARTS LIST



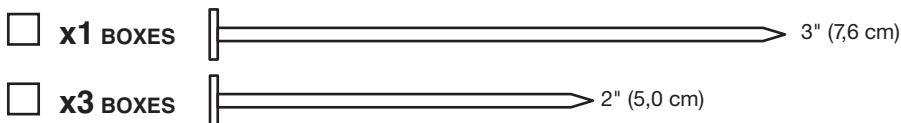
ROOF PANELS



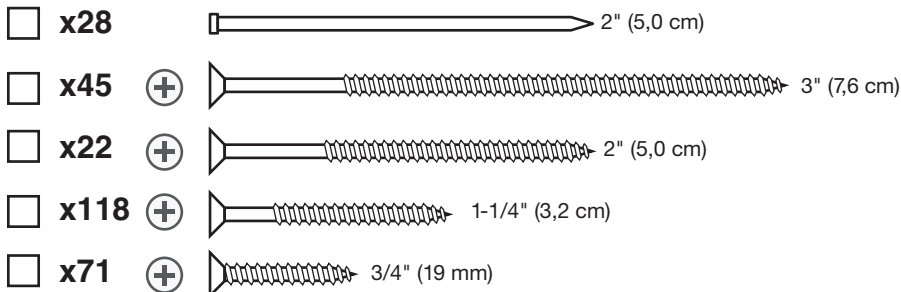
SOFFIT PANELS



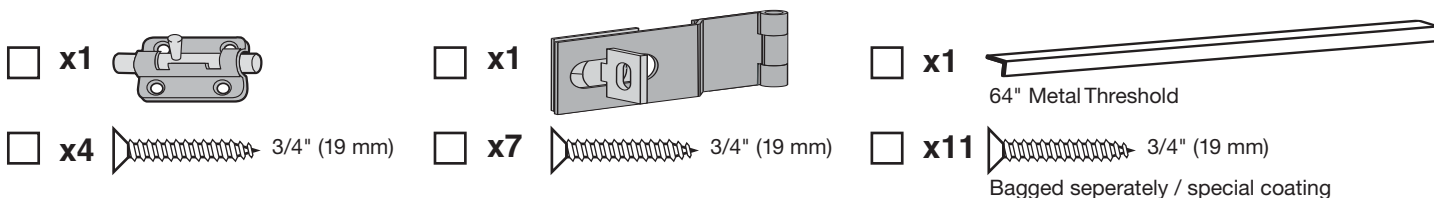
NAIL BOXES (Shown Actual Size)



FASTENER/HARDWARE BAG (Shown Actual Size)

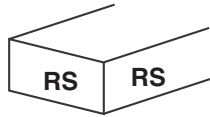


DOOR HARDWARE (Not Actual Size)



PARTS IDENTIFICATION AND SIZES

Part identification is stamped on some parts.



• Check these locations for part stamp.

WOOD SIZE CONVERSION CHART

Nominal Board Size	Actual Size
2" x 4"	1-1/2" x 3-1/2" (3,8 x 8,9 cm)
1" x 4"	3/4" x 3-1/2" (1,9 x 8,9 cm)
2" x 3"	1-1/2" x 2-1/2" (3,8 x 6,3 cm)
1" x 3"	3/4" x 2-1/2" (3,8 x 6,3 cm)




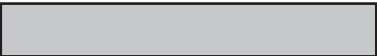
10x4'





GABLE 10' X 4' EXTENDER KIT PARTS LIST

INVENTORY YOUR PARTS before you begin.
We suggest sorting parts by the category they are listed in.


WALL

- x2  NK 2 x 3 x 48" (5 x 7,6 x 122 cm)
- x4  OV 2 x 3 x 69" (5 x 7,6 x 175,3 cm)
- x2  7/16 x 2-1/2 x 48" (1,1 x 6,3 x 122 cm)
- x2  3/8 x 5 x 48" (0,9 x 12,7 x 122 cm)

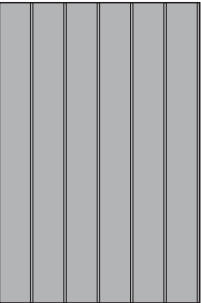
RAFTERS

- x4  6 x 24" (15 x 61 cm)
- x4  CV 2 x 4 x 65-7/8" (5 x 10 x 167 cm)



TRIM

- x2  FO 1 x 3 x 48" (2,5 x 7,6 x 122 cm)

WALL PANELS

- x2  3/8 x 48 x 72" (1 x 122 x 183 cm)

ROOF PANELS

- x2  7/16 x 19" x 48" (1,1 x 48 x 122 cm)
- x2  7/16 x 47-7/8" x 48" (1,1 x 121,6 x 122 cm)

Roof panels are 7/16" (11 mm) thick.

ADDITIONAL MATERIALS

FOUNDATION OR FLOOR MATERIALS

- This shed kit does not include a wood floor frame. It does not include any floor panels.
- See page 8 for the additional floor panel sizes and quantities required.
- This shed does not include any leveling materials.
- See the FLOOR LEVELING section on page 10 for recommended methods and suggested materials to properly level your floor, as this will vary depending on your specific site.

COMPLETING YOUR SHED

You will need these additional materials:

	10x8'	10x12'	10x16'		ALL SIZES
<input type="checkbox"/> 3-TAB SHINGLES (Bundles).....	4	6	8	<input type="checkbox"/> PAINT FOR TRIM	1 Quart
<input type="checkbox"/> PAINT FOR SIDING (Gallons)..... <small>Use 100% acrylic latex exterior paint. (2) coats recommended.</small>	1-1/2	2	2-1/2	<input type="checkbox"/> WOOD GLUE	Exterior Rated
<input type="checkbox"/> 1" GALVANIZED ROOFING NAILS(lbs). <small>For shingles.</small>	2	3	4	<input type="checkbox"/> CAULK	2 Tubes
				<small>Use acrylic latex exterior caulk that is paintable.</small>	

OPTIONAL MATERIALS

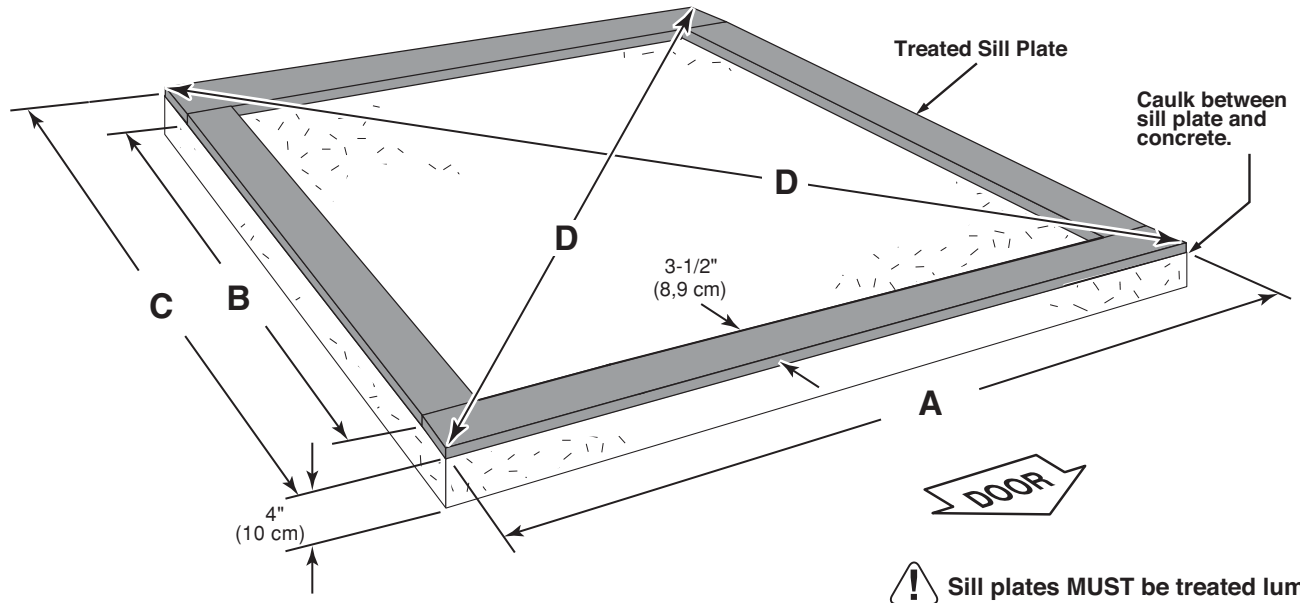
	10x8'	10x12'	10x16'
<input type="checkbox"/> DRIP EDGE (Feet).....	40	50	60
<input type="checkbox"/> #15 ROOFING FELT (Sq ft. to cover).....	96	144	192
<input type="checkbox"/> 1" GALVANIZED ROOFING NAILS(lbs). <small>For roofing felt.</small>	1/4	1/4	1/2

REFER TO THE BACK OF THIS MANUAL AND THE MANUFACTURER'S INSTRUCTIONS FOR INSTALLATION OF SHINGLES, DRIP EDGE AND FELT.

NOTES

CONCRETE FOUNDATION

If you choose to install your kit on a concrete slab refer to the diagram below.
Attach the sill plates on the foundation as shown, and continue on to page 9.



Building Size	Actual Floor Size	A	B	C	D
10'x 8' (305 x 244 cm)	10'x 7'-8-5/8" (305 x 235,3 cm)	120" (305 cm)	85-5/8" (217,4 cm)	92-5/8" (235,3 cm)	151-1/2" (384,8 cm)

10' x 8' Building Requires:

- x2** 2 x 4 x 10' (5 x 10 x 305 cm) **x2** 2 x 4 x 8' (5 x 10 x 244 cm)
- x1** Caulk

Building Size	Actual Floor Size	A	B	C	D
10'x 12' (305 x 365,8 cm)	10'x 11'-8-5/8" (305 x 357,2 cm)	120" (305 cm)	133-5/8" (339,4 cm)	140-5/8" (357,2 cm)	184-7/8" (469,5 cm)

10' x 12' Building Requires:

- x2** 2 x 4 x 10' (5 x 10 x 305 cm) **x2** 2 x 4 x 12' (5 x 10 x 365,8 cm)
- x1** Caulk

Building Size	Actual Floor Size	A	B	C	D
10'x 16' (305 x 487,7 cm)	10'x 15'-8-5/8" (305 x 479 cm)	120" (305 cm)	181-5/8" (461,3 cm)	188-5/8" (479 cm)	223-1/2" (567,7 cm)

10' x 16' Building Requires:

- x2** 2 x 4 x 10' (5 x 10 x 305 cm) **x2** 2 x 4 x 12' (5 x 10 x 365,8 cm)
- x2** Caulk **x1** 2 x 4 x 8' (5 x 10 x 244 cm)

! Allow new concrete slabs to cure for at least seven (7) days.

- A treated 2 x 4" (5 x 10 cm) sill plate is required when installing your shed on concrete.
Purchase full length treated lumber, or butt shorter pieces end-to-end and seal seams with caulk.
- Use a high quality exterior grade caulk beneath all sill plates.
- Fasten 2 x 4" (5 x 10 cm) sill plates to slab using approved concrete anchors (**fasteners not included**).
- Check local code for concrete foundation requirements.

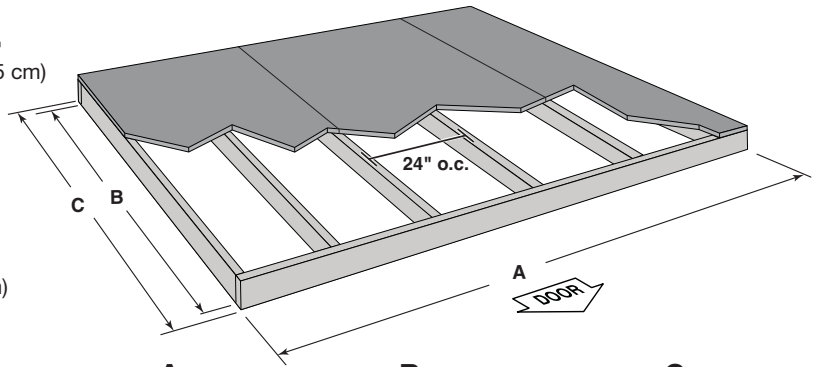
WOOD FLOOR FRAME (Not Included)

If you choose to build a wooden floor system, you will need treated 2 x 4" boards cut to size and nails.
Floor panel sizes and quantities are shown below. Floor Frame MUST be treated lumber.

Materials shown are raw sizes and will need to be cut to size.

GABLE 10' x 8'

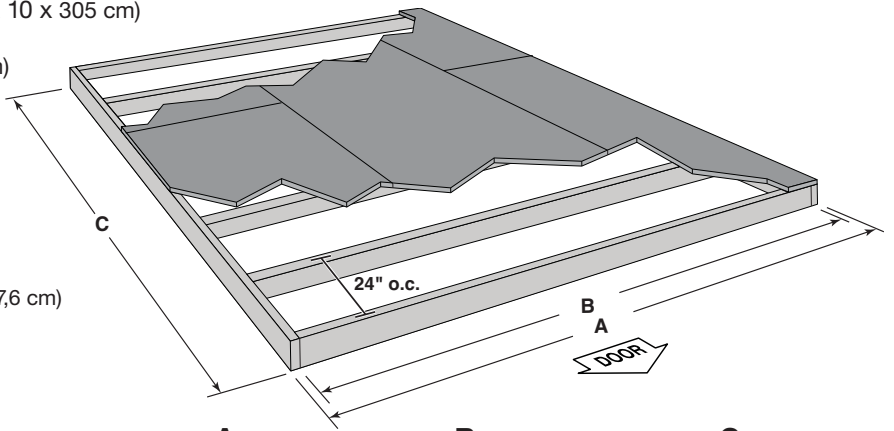
- x5 2 x 4 x 96
(5 x 10 x 244 cm)
- x2 2 x 4 x 120"
(5 x 10 x 305 cm)
- x3 48" x 96"
(122 x 244 cm)
- x1 lb 3" (7,6 cm)
- x1 lb 2" (5,0 cm)



Building Size	Actual Floor Size	A	B	C
10'x 8' (305 x 244 cm)	10'x 7'-8-5/8" (305 x 235,3 cm)	120" (305 cm)	89-5/8" (227,6 cm)	92-5/8" (235,3 cm)

GABLE 10' x 12'

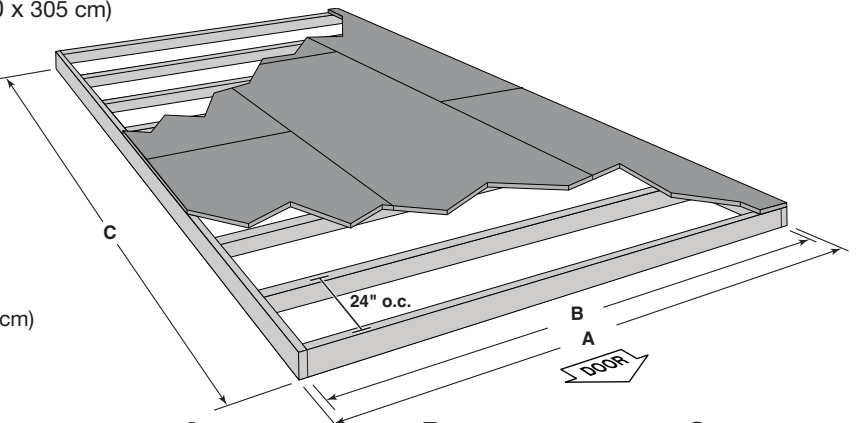
- x2 2 x 4 x 144"
(5 x 10 x 365,8cm)
- x7 2 x 4 x 120"
(5 x 10 x 305 cm)
- x4 48" x 96"
(122 x 244 cm)
- x1 lb 3" (7,6 cm)
- x1 lb 2" (5,0 cm)



Building Size	Actual Floor Size	A	B	C
10'x 12' (305 x 365,8 cm)	10'x 11'-8-5/8" (305 x 357,2 cm)	120" (305 cm)	117" (297 cm)	140-5/8" (357,2 cm)

GABLE 10' x 16'

- x2 2 x 4 x 192"
(5 x 10 x 487,7 cm)
- x9 2 x 4 x 120"
(5 x 10 x 305 cm)
- x5 48" x 96"
(122 x 244 cm)
- x1 lb 3" (7,6 cm)
- x2 lbs 2" (5,0 cm)



Building Size	Actual Floor Size	A	B	C
10'x 16' (305 x 487,7 cm)	10'x 15'-8-5/8" (305 x 479 cm)	120" (305 cm)	117" (297 cm)	188-5/8" (479 cm)

INSTRUCTION MANUAL LAYOUT

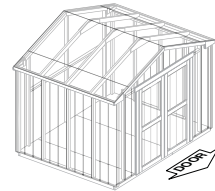
! TABS ARE DISPLAYED AT THE OUTSIDE EDGE OF INSTRUCTION PAGES TO IDENTIFY MODEL SIZE. !

Use tabs to make sure you are following the correct instructions.

GABLE 10' x 8'

GABLE 10' x 8' :

Look for this tab throughout instructions.



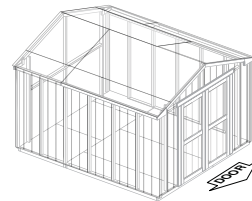
GABLE 10' x 8'

If tab is not displayed, skip to next page including 10' x 8' tab

GABLE 10' x 12'

GABLE 10' x 12' :

Look for this tab throughout instructions.



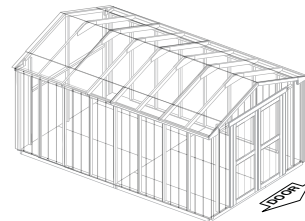
GABLE 10' x 12'

If tab is not displayed, skip to next page including 10' x 12' tab

GABLE 10' x 16'

GABLE 10' x 16' :

Look for this tab throughout instructions.

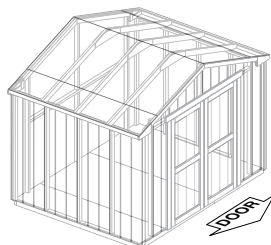


GABLE 10' x 16'

If tab is not displayed, skip to next page including 10' x 16' tab

! IF ALL TABS ARE DISPLAYED, FOLLOW ALL INSTRUCTIONS REGARDLESS OF MODEL SIZE. !

! NOTE: GABLE 10' x 8' image shown standard on pages applicable to all sizes.



OPTIONAL WOOD FRAME FLOOR LEVELING OPTIONS

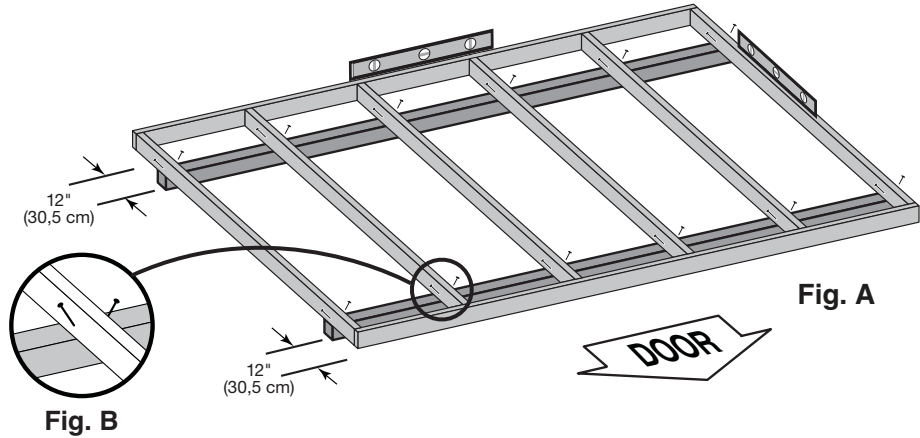
There are multiple ways to level your floor frame. Our recommended leveling method is shown below.
Leveling materials are not included in this kit.

PREFERRED METHOD - 4x4 TREATED RUNNERS (Typical for 10' x 8' Kit)

Runners are generally 12" (30,5 cm) from ends of floor frame and under seams.

Measurements to centers of 4x4's.

- 3" Screws angled into 4x4.
- (2) at each point frame and 4x4 touch.



! FLOOR FRAME NOT INCLUDED

Fasteners for Frame to 4"x 4".

(3" Screws shown as one option.)

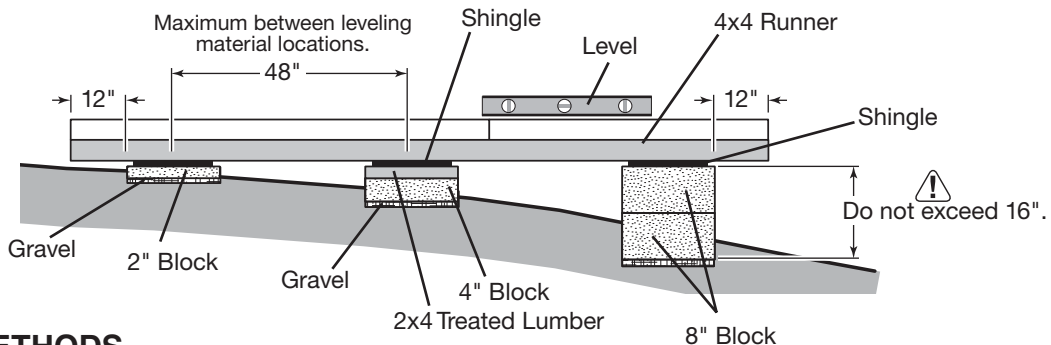
Minimum 3" screws / exterior grade.

MATERIAL REQUIRED

10' x 8'	<input type="checkbox"/>	x2	4" x 4" x 10' (10 x 10 x 305 cm) Treated Lumber	<input type="checkbox"/>	x24		3" (7,6 cm)
10' x 12'	<input type="checkbox"/>	x3	4" x 4" x 12' (10 x 10 x 365,8 cm) Treated Lumber	<input type="checkbox"/>	x48		3" (7,6 cm)
10' x 16'	<input type="checkbox"/>	x3	4" x 4" x 16' (10 x 10 x 487,7 cm) Treated Lumber	<input type="checkbox"/>	x60		3" (7,6 cm)

! Use only wood treated for ground contact and fasteners approved for use with treated wood.

! Always support frame seams.



LEVELING METHODS

- Level under 4x4 runners only.
- Locate leveling material 12" from ends of runners and no more than 48" apart.
- Asphalt shingles should be used between 4x4 runners and blocks or treated lumber. Never use shingles in direct contact with ground.
- For best results and aiding in water drainage use gravel under each concrete block.

LEVELING MATERIALS

- Gravel
- Solid Masonry Blocks in 1", 2", 4" or 8" thickness
- 2x4 Treated Lumber
- Asphalt Shingles

! Leveling higher than 16" not recommended.

LEVELING & SQUARING A 10 x 8' FLOOR FRAME (Not Included)



- FOR 10' x 12', SKIP TO PAGE 12
- FOR 10' x 16', SKIP TO PAGE 13.



LEVEL AND SQUARE FLOOR FRAME



Before attaching floor decking, it is important to level and square the floor frame. A level and square floor frame is required to correctly construct your shed.

✓ BEGIN

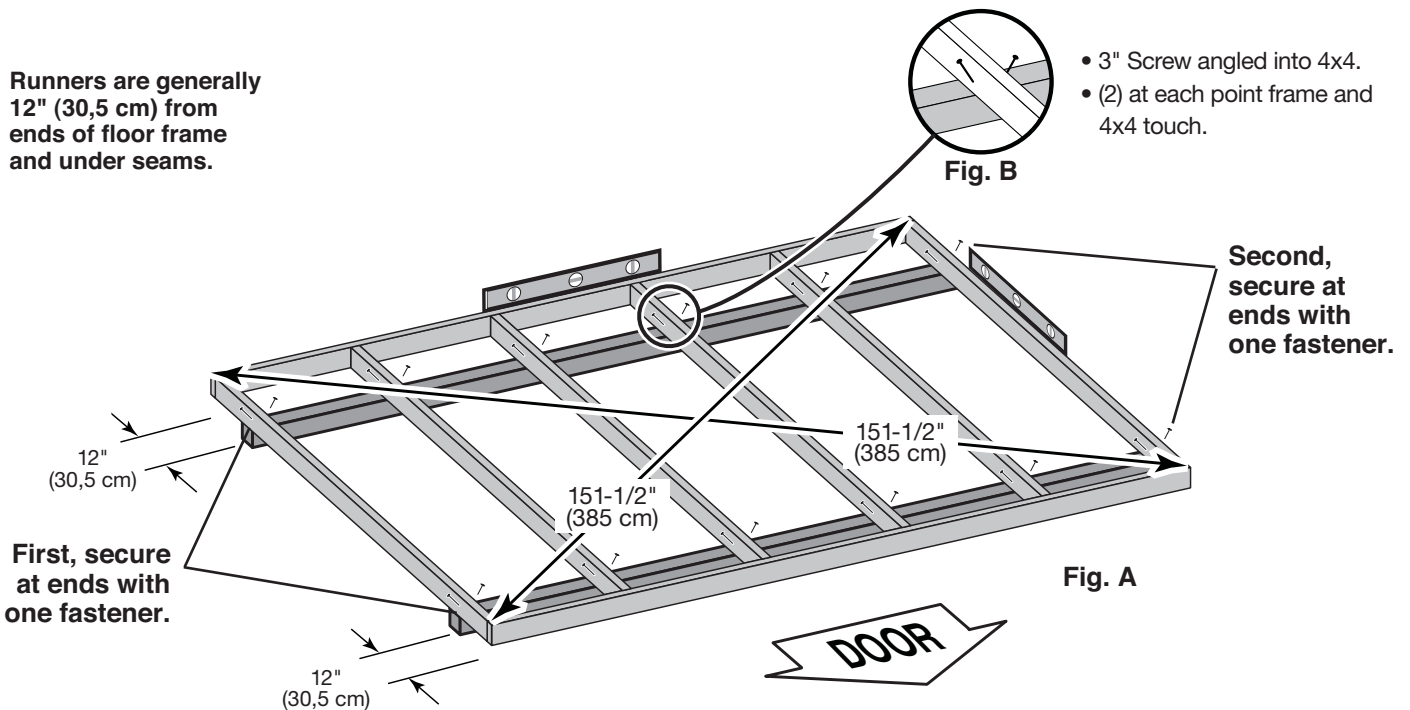
- 1 See page 10 for the preferred floor leveling method.
- 2 Use level and check the frame is level before applying floor panels.
- 3 Check for frame squareness by measuring diagonally across corners. If the measurements are the same, the frame is square. The diagonal measurement will be approximately **151-1/2" (385 cm)**.
- 4 When the frame is level and square, secure one side of frame to 4x4 runners using one fastener at ends of each runner. At the opposite end of the frame, secure the frame to 4x4 runners with one fastener at ends of each runner making sure the frame remains square (**Fig. A**).



FINISH

- 5 Once the floor frame is level and square fasten the frame at each point the frame contacts the 4x4 runners (**Fig. B**). Go to page 14.

Runners are generally 12" (30,5 cm) from ends of floor frame and under seams.



GABLE 10' x 8'

LEVELING & SQUARING A 10 x 12' FLOOR FRAME (Not Included)



LEVEL AND SQUARE FLOOR FRAME



Before attaching floor decking, it is important to level and square the floor frame. A level and square floor frame is required to correctly construct your shed.

✓ BEGIN

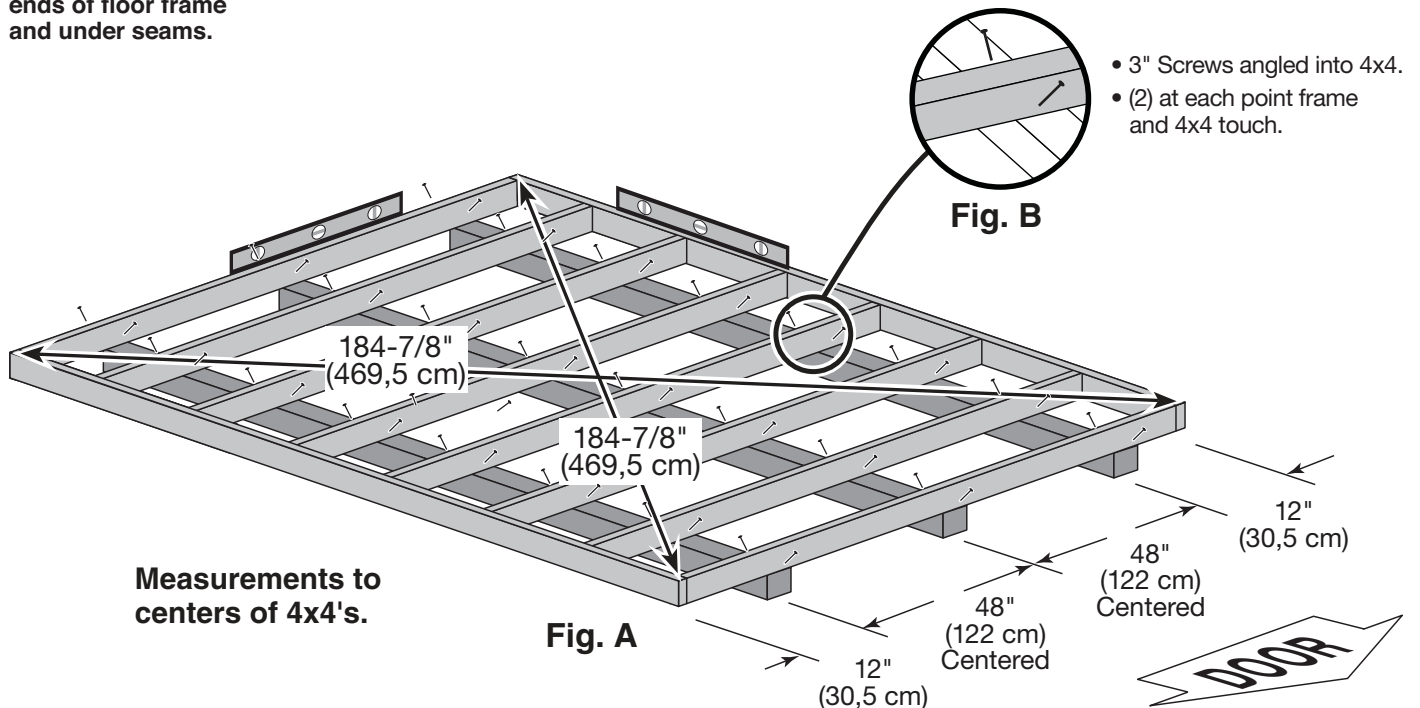
- 1 ⚠ See page 10 for the preferred floor leveling method.
- 2 Use level and check the frame is level before applying floor panels.
- 3 Check for frame squareness by measuring diagonally across corners. If the measurements are the same, the frame is square. The diagonal measurement will be approximately **184-7/8" (469,5 cm)**.
- 4 When the frame is level and square secure one side of frame to the 4x4 runners using one fastener at ends of each runner. At the opposite end of the frame, secure the frame to 4x4 runners with one fastener at ends of each runner making sure the frame remains square (**Fig. A**).



- 5 Once the floor frame is level and square fasten the frame at each point the frame contacts the 4x4 runners (**Fig. B**). **Go to page 14.**

Runners are generally 12" (30,5 cm) from ends of floor frame and under seams.

GABLE 10' x 12'



LEVELING & SQUARING A 10 x 16' FLOOR FRAME (Not Included)

STOP!



LEVEL AND SQUARE FLOOR FRAME



STOP!

Before attaching floor decking, it is important to level and square the floor frame. A level and square floor frame is required to correctly construct your shed.

✓ BEGIN

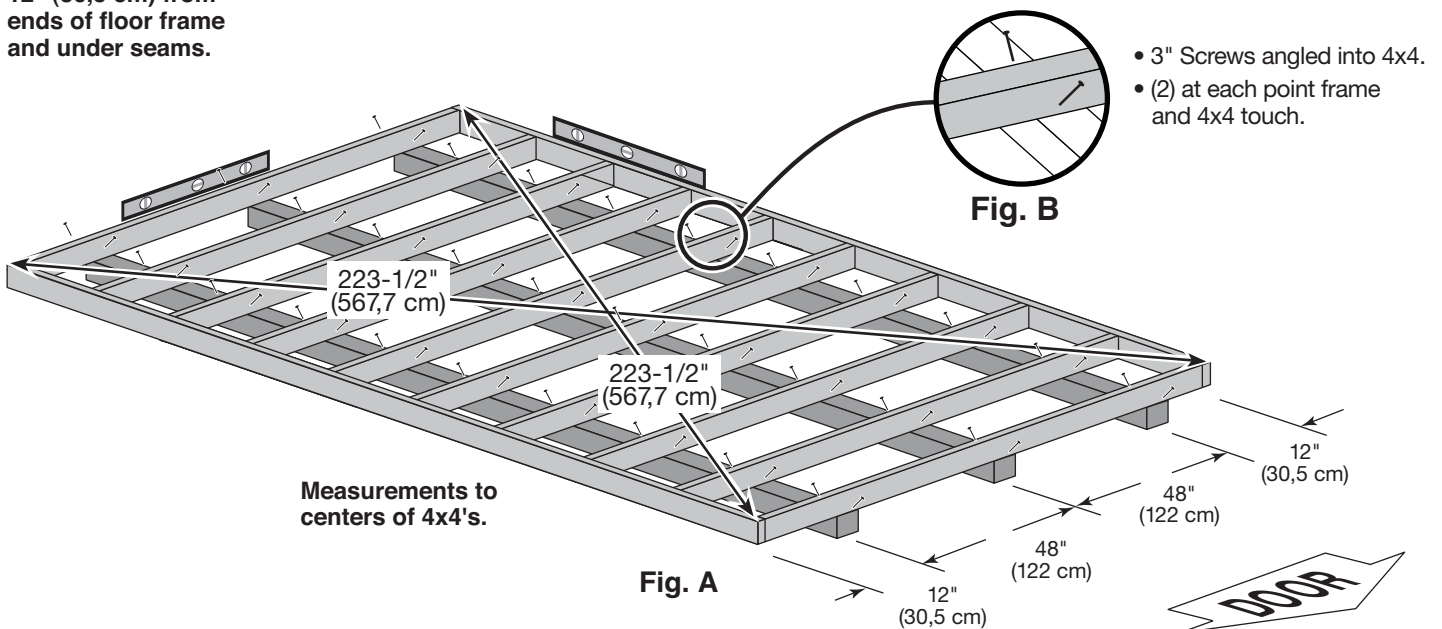
- 1 See page 10 for the preferred floor leveling method.
- 2 Use level and check the frame is level before applying floor panels.
- 3 Check for frame squareness by measuring diagonally across corners. If the measurements are the same, the frame is square. The diagonal measurement will be approximately **223-1/2" (567,7 cm)**.
- 4 When the frame is level and square secure one side of frame to the 4x4 runners using one fastener at ends of each runner. At the opposite end of the frame, secure the frame to 4x4 runners with one fastener at ends of each runner making sure the frame remains square (**Fig. A**).



FINISH

- 5 Once the floor frame is level and square fasten the frame at each point the frame contacts the 4x4 runners (**Fig. B**). Go to page 14.

Runners are generally 12" (30,5 cm) from ends of floor frame and under seams.

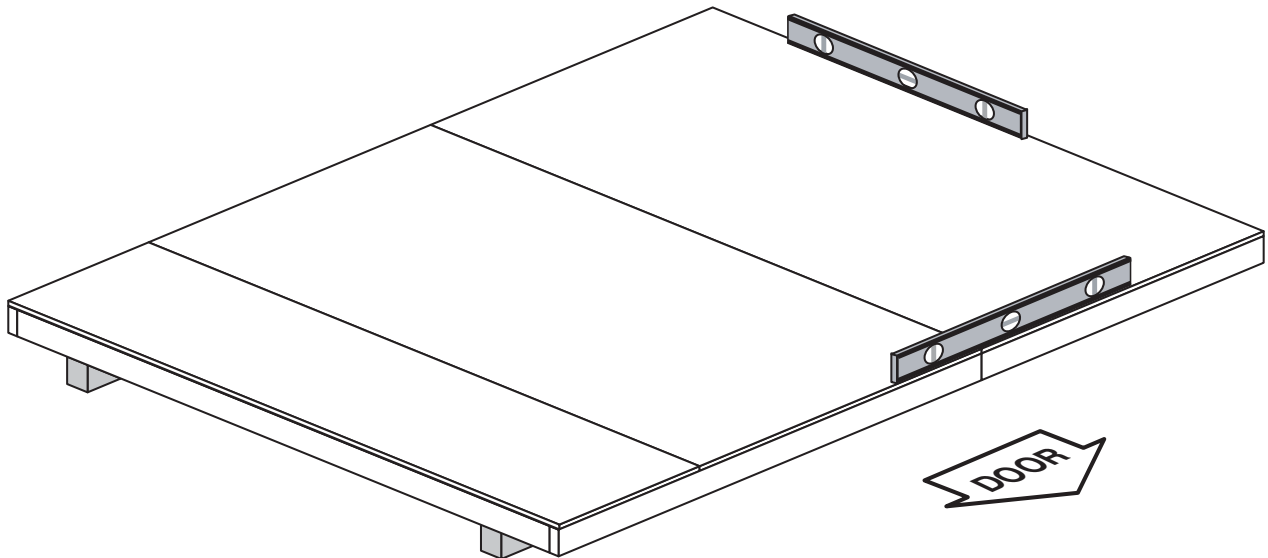


! IMPORTANT!

NOTE: GABLE 10' x 8' shown standard throughout manual

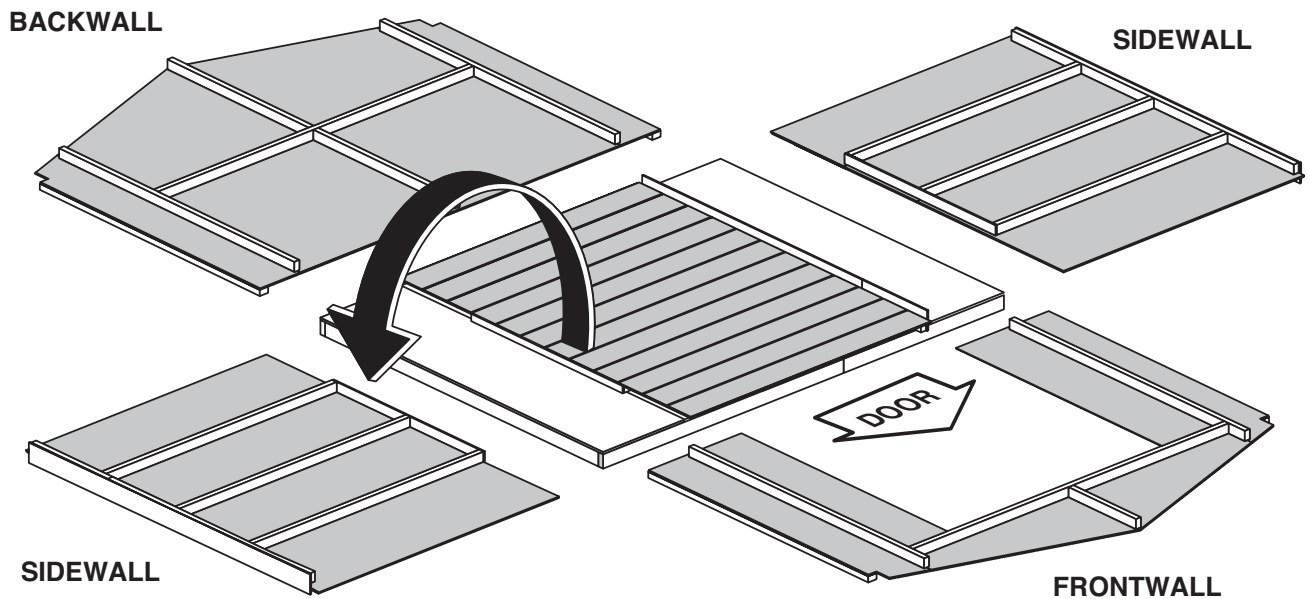


STOP! Check the floor frame is level after installing floor panels. Re-level if needed.



• The floor should be used as a stable work surface for wall construction.

HINT: • Organize your assembly procedure during the build process to avoid over-handling of the walls.




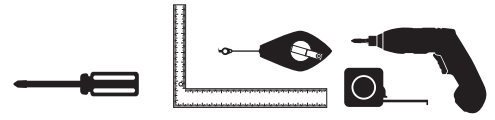
RAFTER ASSEMBLY JIG

PARTS REQUIRED:

x2 **GAA** 3/4 x 3 x 5" (1,9 x 7,6 x 12,7 cm)

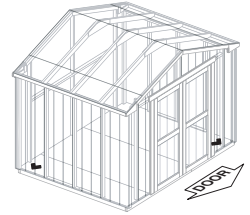
x2 **GBZ** 3/4 x 3 x 8-1/2" (1,9 x 7,6 x 21,6 cm)

x8  1-1/4" (3,2 cm)



✓ BEGIN

- 1 Build a **Jig** to ensure all **Rafters** are assembled the same.
- 2 Mark a straight line on the **Floor** from corner to corner (**Fig. A**) or on sill plates to fit measurements (**Fig. B**).
- 3 Screw blocks in place to measurement shown.



FINISH

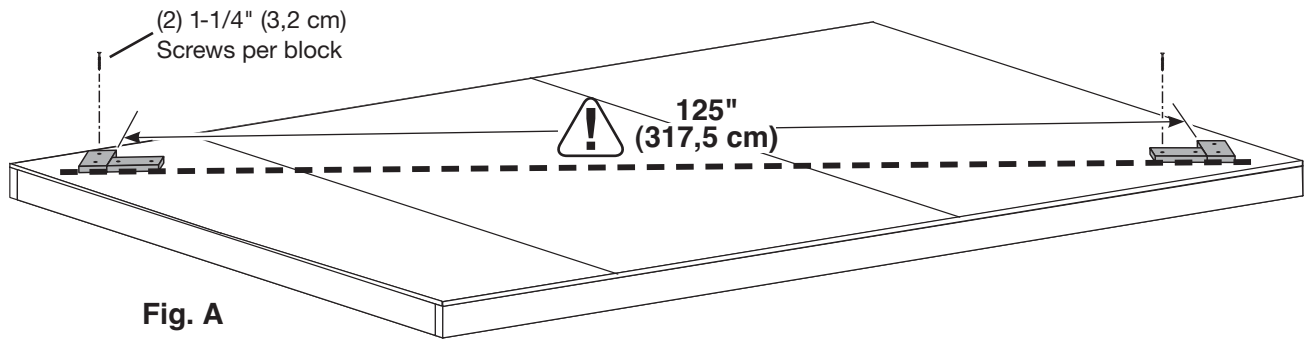
 **Make sure blocks are square and at 125" (317,5 cm)**

- 4 You have finished building a **Rafter Jig**.

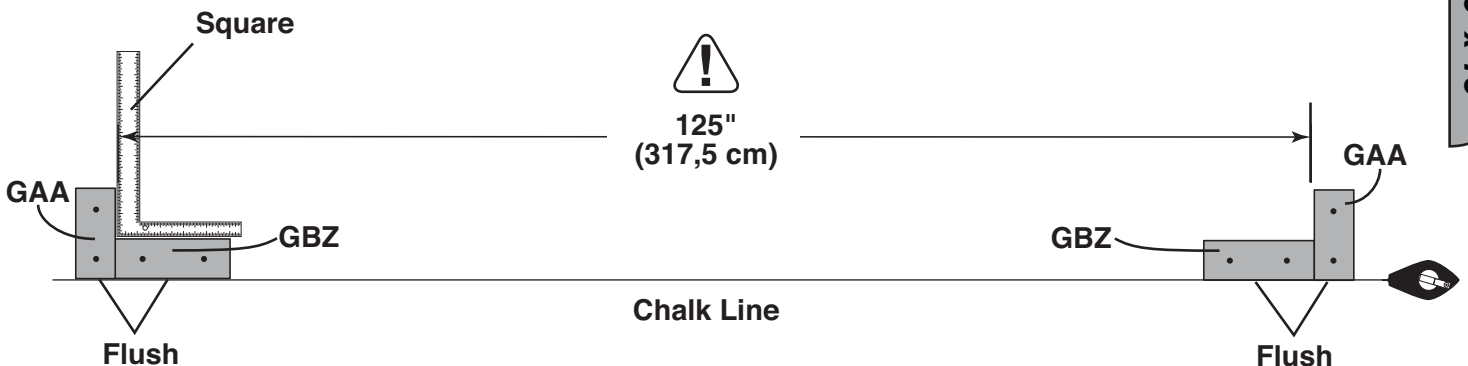
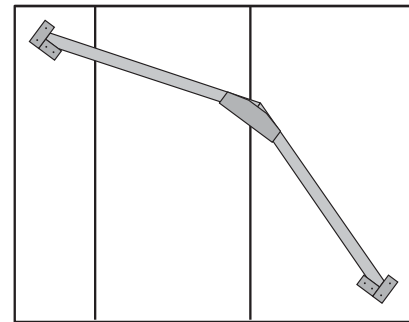
GABLE 10' x 8'

GABLE 10' x 12'

GABLE 10' x 16'



NOTE: 10'x8' Gable Floor Shown



10x8' 10x12' 10x16'

RAFTERS

PARTS REQUIRED:

x6 x10 x14

6 x 24" (15 x 61 cm)

x6 x10 x14

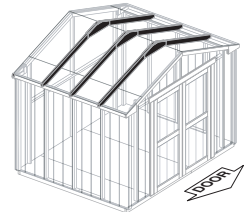
CV
2 x 4 x 65-7/8" (5 x 10 x 167 cm)

x72 x102 x168

2" (5 cm)



- FOR 10' x 8', ASSEMBLE (3) RAFTERS TOTAL.
- FOR 10' x 12', ASSEMBLE (5) RAFTERS TOTAL.
- FOR 10' x 16', ASSEMBLE (7) RAFTERS TOTAL.



GABLE 10' x 8'

✓ **BEGIN**

- 1 Place two rafter halves **CV** on floor jig.
- 2 Apply glue on gusset and place on rafters.
- 3 Nail gusset onto rafter using 2" nails, staggered, as shown.
- 4 Flip over rafter assembly and glue and nail gusset to back side.
- 5 Repeat steps 1-4 to build two more assemblies for 10' x 8' Gable, four more assemblies for 10' x 12' Gable, or six more assemblies for 10' x 16' Gable.

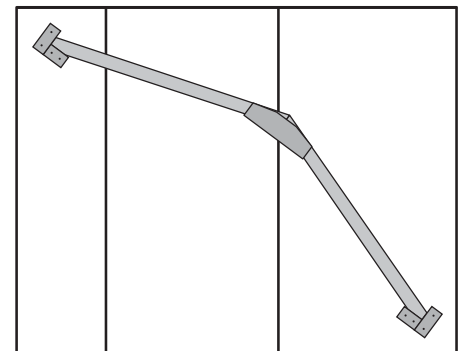
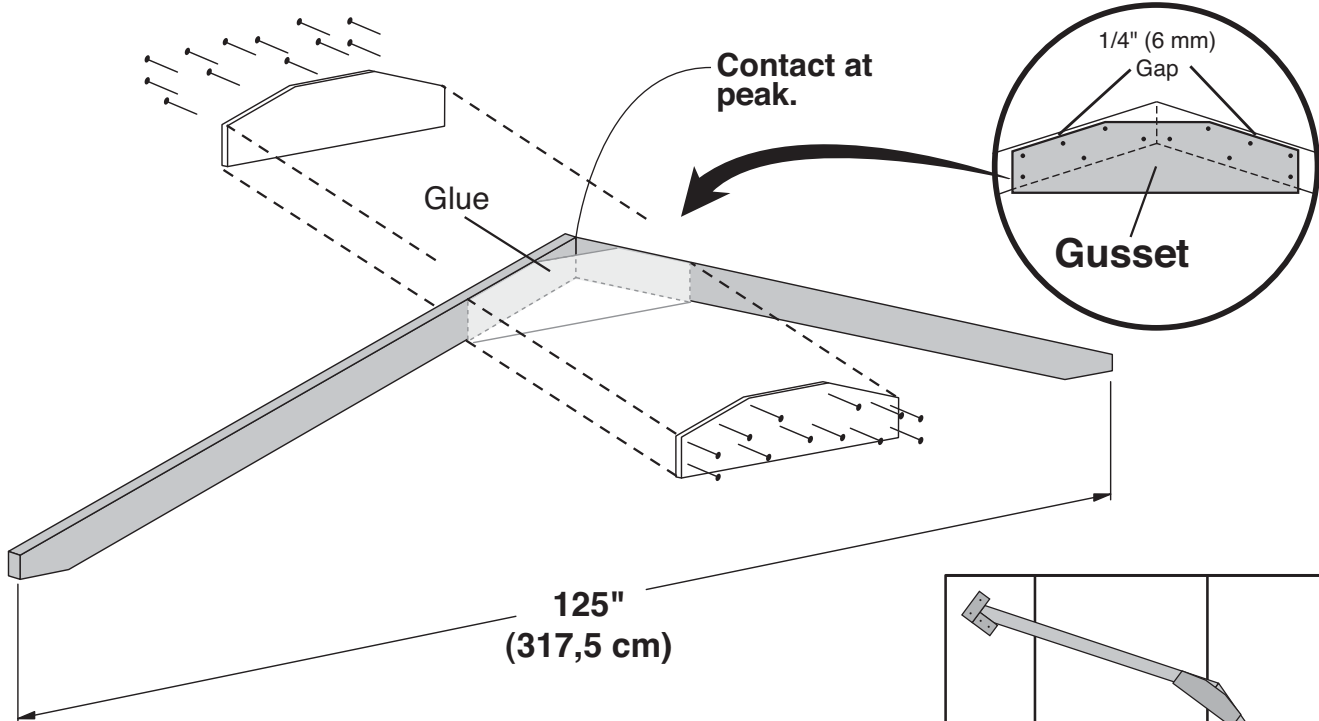


FINISH

- 6 Unscrew jig and save blocks. Set aside rafters and proceed to building your back wall.

GABLE 10' x 12'

GABLE 10' x 16'



NOTE: 10'x8' Model Shown

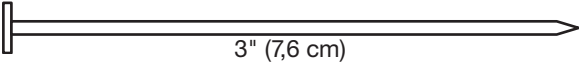
BACK WALL FRAME

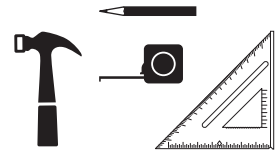
PARTS REQUIRED:

x1 **NH**
2 x 3 x 46-1/4" (5 x 7,6 x 117,5 cm)

x2 **PB**
2 x 3 x 77" (5 x 7,6 x 196 cm)

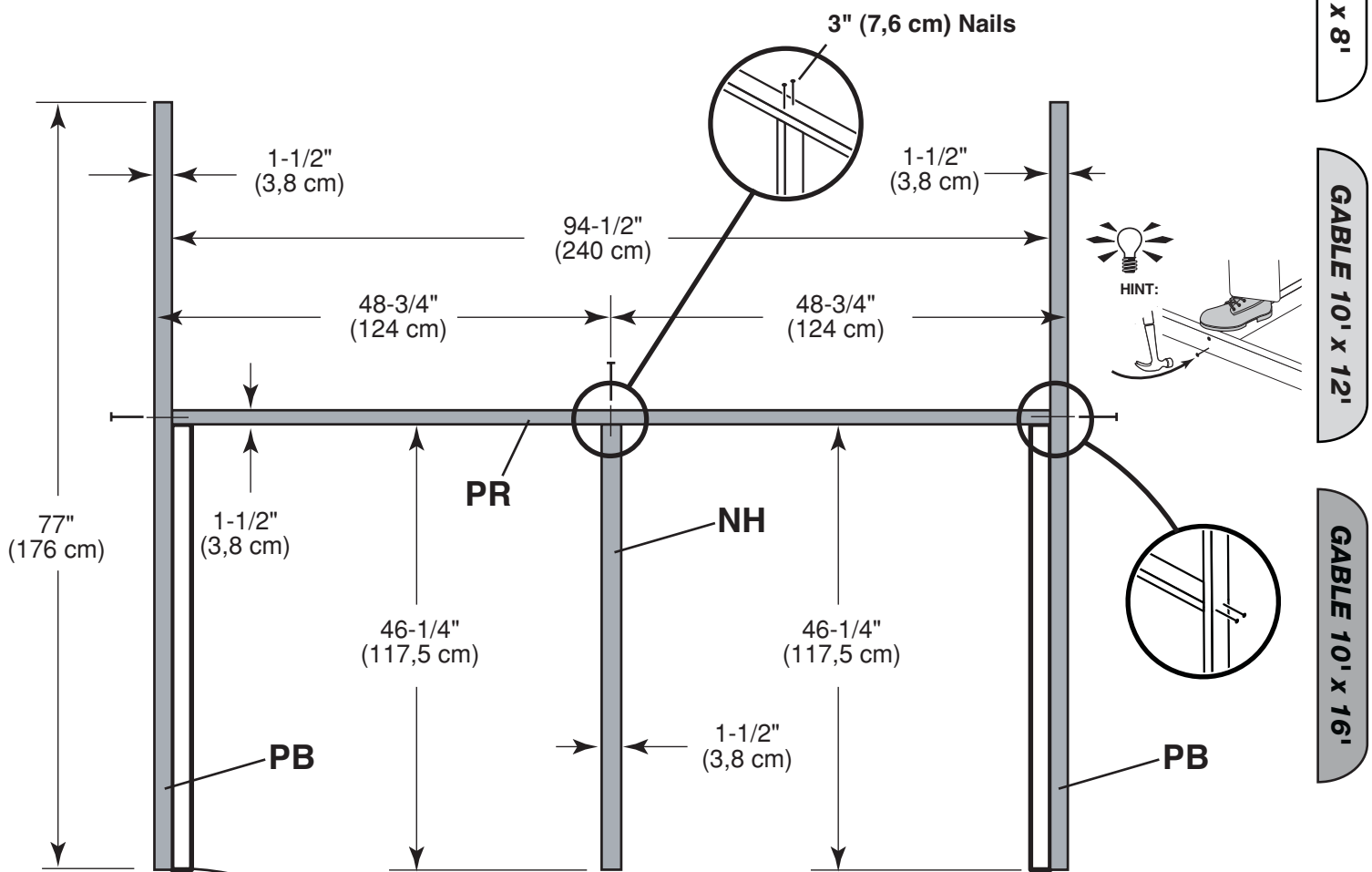
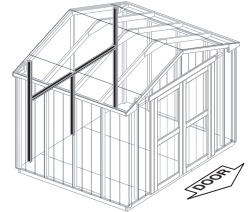
x1 **PR**
2 x 3 x 94-1/2" (5 x 7,6 x 240 cm)

x6  3" (7,6 cm)



✓ BEGIN

- 1 Orient parts on edge on floor as shown.
- 2 Nail using two 3" nails at each connection.

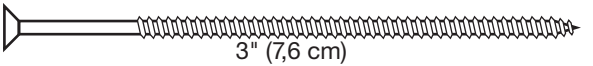


Use NH as a guide to locate PR. (Do not nail.)

BACK WALL FRAME

PARTS REQUIRED:

x1 **NH**
2 x 3 x 46-1/4" (5 x 7,6 x 117,5 cm)

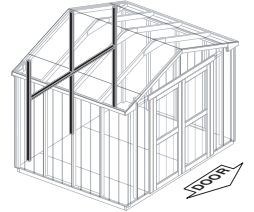
x2  3" (7,6 cm)



- 3 Orient parts on edge on floor as shown.
- 4 Use two 3" screws at middle connection.



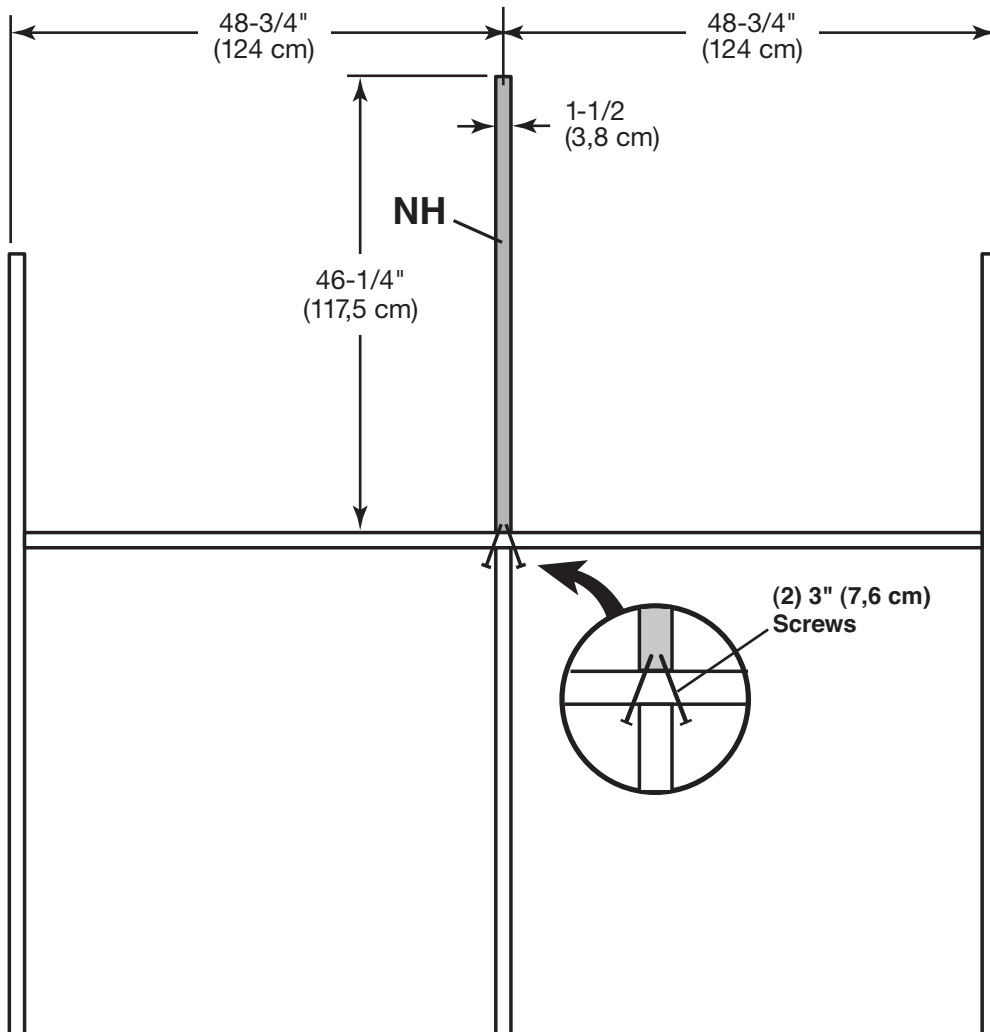
- 5 You have finished building your back wall frame.



GABLE 10' x 8'

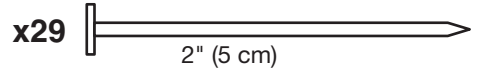
GABLE 10' x 12'

GABLE 10' x 16'



BACK WALL PANELS

PARTS REQUIRED:

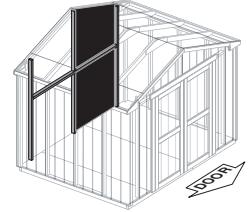


GAA
3/4" GAUGE
BLOCK



✓ BEGIN

- 1 Place **LEFT** panel on back frame as shown with primed side facing up.
- 2 Use a 3/4" gauge block at edges of panel. Be sure to maintain 1" measurement between bottom edge of frame and bottom edge of panel (**Fig. A, B**).
- 3 Nail using 2" nails 6" apart on edges and 12" apart inside panel.



! For squareness maintain 3/4" measurement along panel edges.

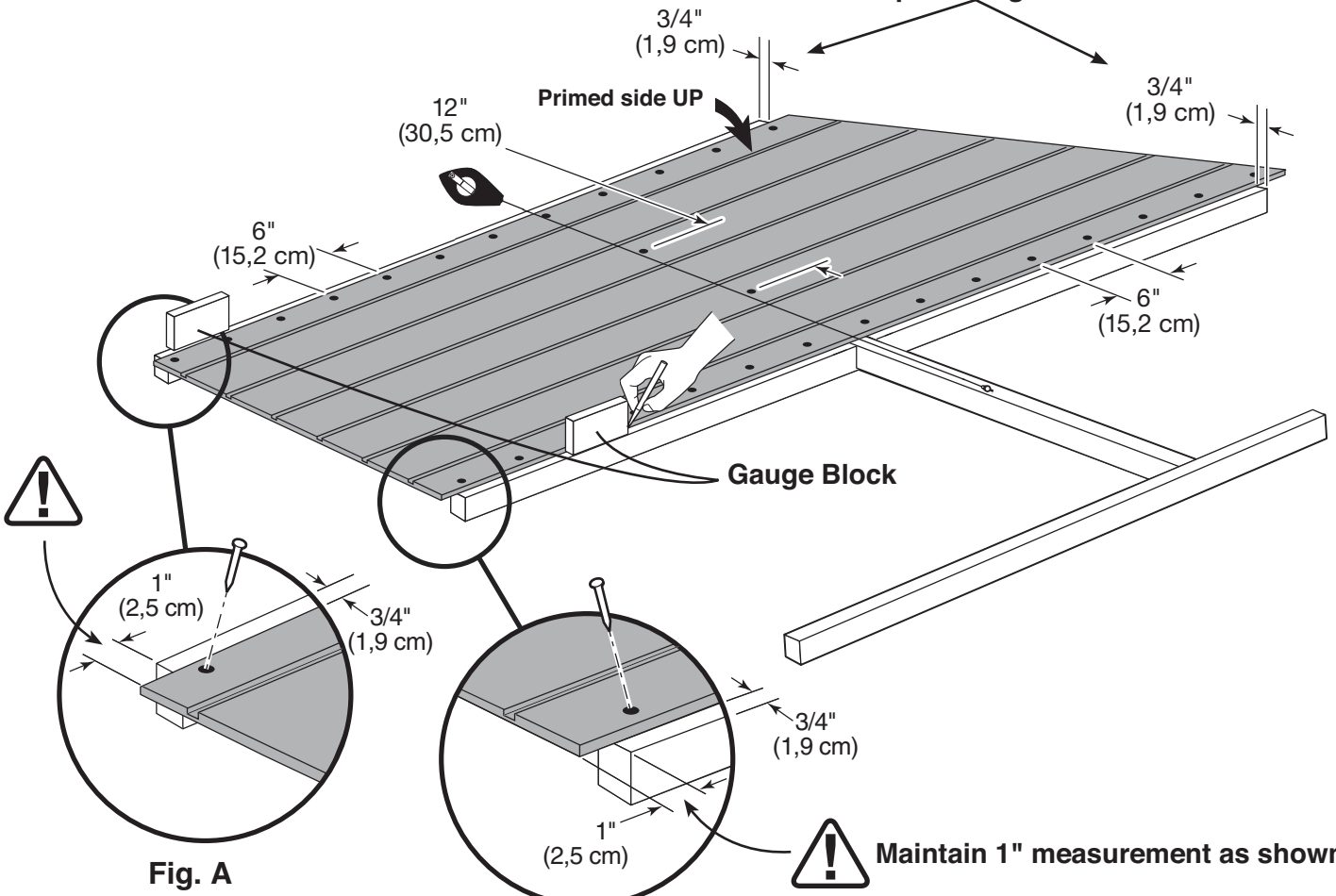


Fig. A

Fig. B

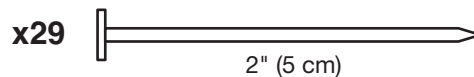
GABLE 10' x 8'

GABLE 10' x 12'

GABLE 10' x 16'

BACK WALL PANELS

PARTS REQUIRED:



GAA
3/4" GAUGE
BLOCK

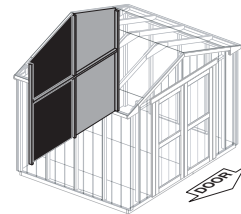


4 Place **RIGHT** panel on back frame as shown with primed side facing up.

5 Use a 3/4" gauge block at outside edge of panel.

6 Nail using 2" nails 6" apart on edges and 12" apart inside panel.

7 Proceed to building your wing wall panels.

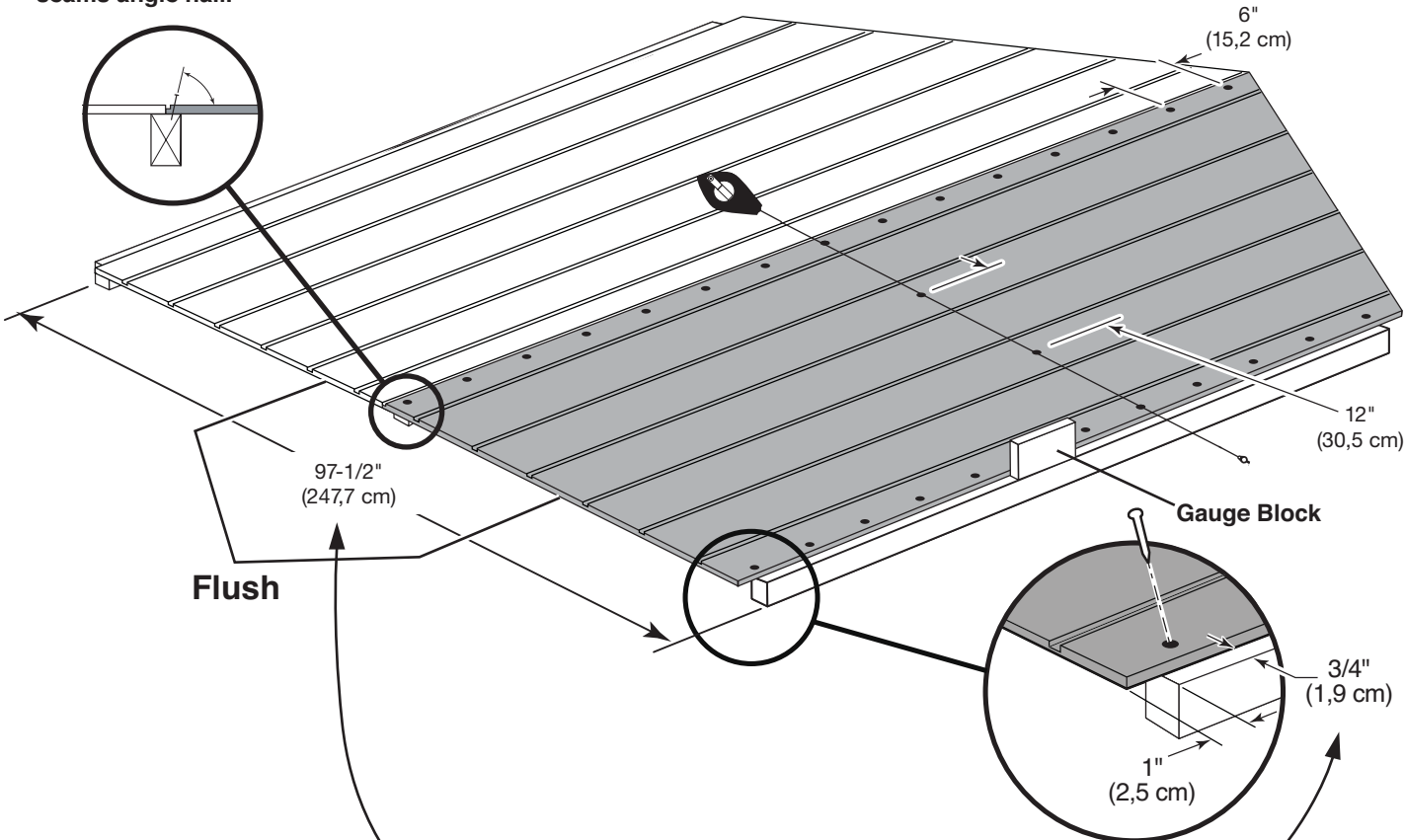
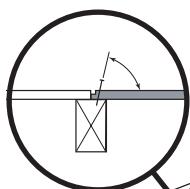


GABLE 10' x 8'

GABLE 10' x 12'

GABLE 10' x 16'



To draw panels tight at seams angle nail.

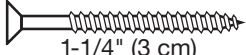


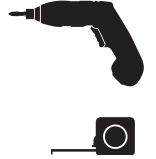
For squareness, maintain 3/4" and 97-1/2" measurements.

WING WALL PANELS


PARTS REQUIRED:

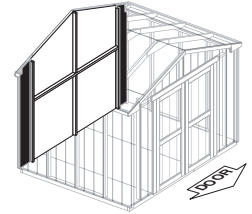
- x2  LEFT
- x2  RIGHT
- x4 **OY**
2 x 3 x 72" (5 x 7,6 x 183 cm)

x32  1-1/4" (3 cm)



✓ BEGIN

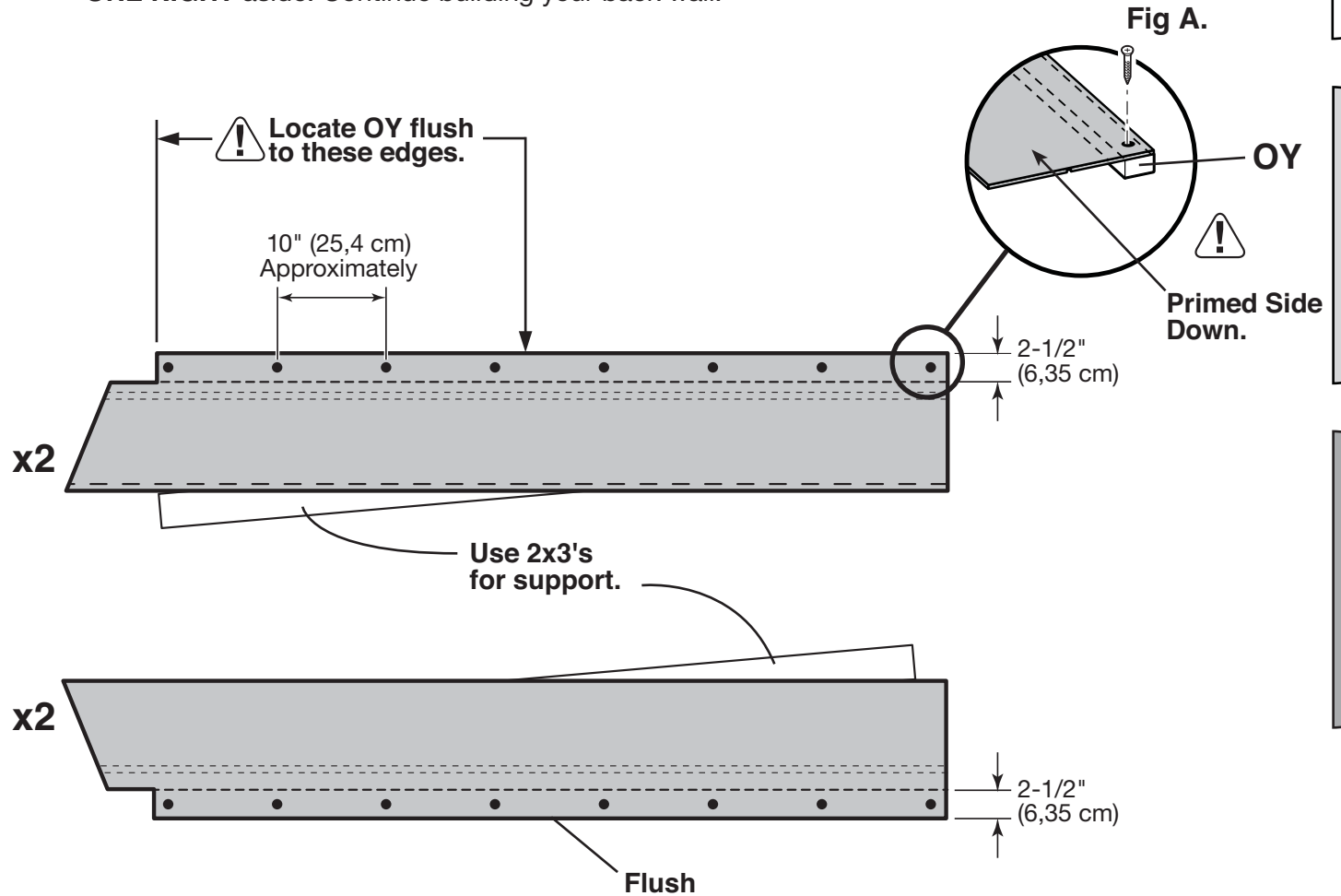
- 1 You will assemble **TWO RIGHT** and **TWO LEFT** wing walls.
- 2 Place **OY** on floor.  Place a wing wall panel primed side down onto **OY** (Fig. A) and flush to panel edges as shown.
- 3 Secure flush to edges using eight 1-1/4 screws 10" apart.
- 4 You have finished building two sets of wing wall assemblies. Set **ONE LEFT** and **ONE RIGHT** aside. Continue building your back wall.



GABLE 10' x 8'

GABLE 10' x 12'

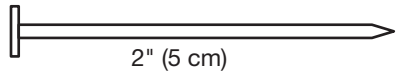
GABLE 10' x 16'



BACK WALL PANELS

PARTS REQUIRED:

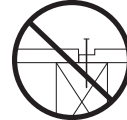
- x1  Pre-assembled **LEFT**
- x1  Pre-assembled **RIGHT**

x24  2" (5 cm)

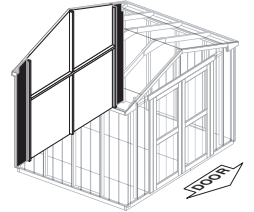


5 Place wing wall assemblies onto frame with bottom of panels flush.

6 Nail left and right wing wall assemblies onto back wall frame using 2" nails 6" apart.



Do not nail in groove.



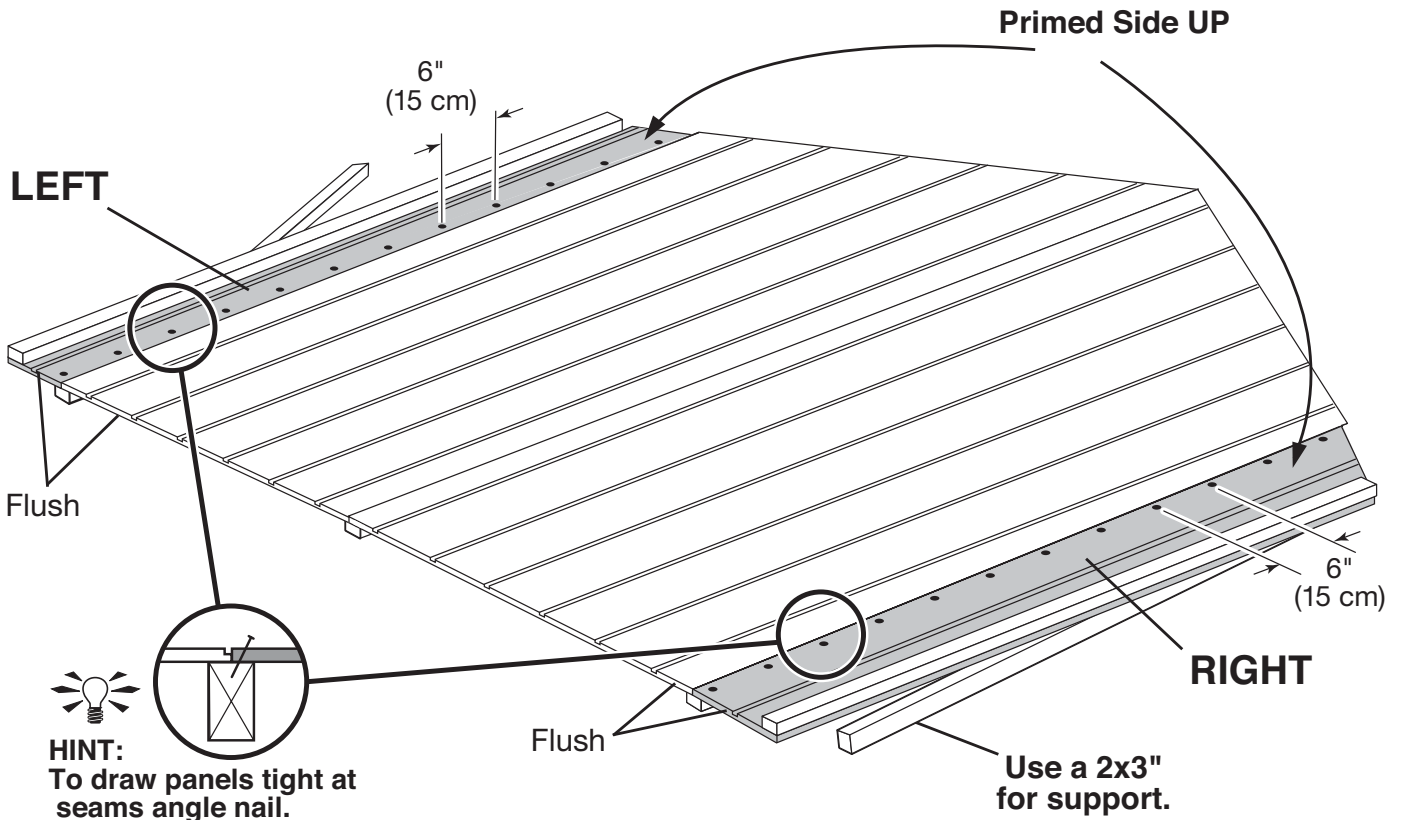
FINISH

7 You have finished attaching your wing walls.

GABLE 10' x 8'

GABLE 10' x 12'

GABLE 10' x 16'



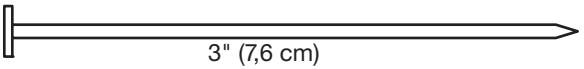
FRONT WALL FRAME

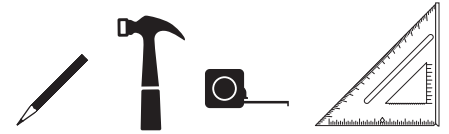
PARTS REQUIRED:

x1 **LT**
2 x 3 x 22-1/8" (5 x 7,6 x 56 cm)

x2 **PB**
2 x 3 x 77" (5 x 7,6 x 196 cm)

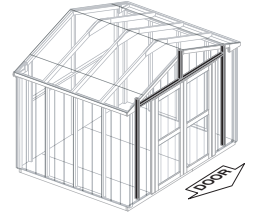
x1 **PR**
2 x 3 x 94-1/2" (5 x 7,6 x 240 cm)

x6  3" (7,6 cm)



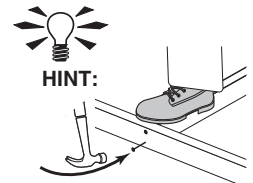
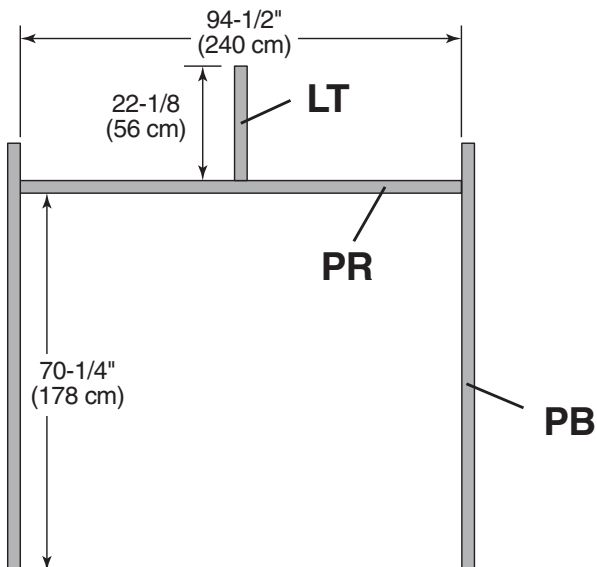
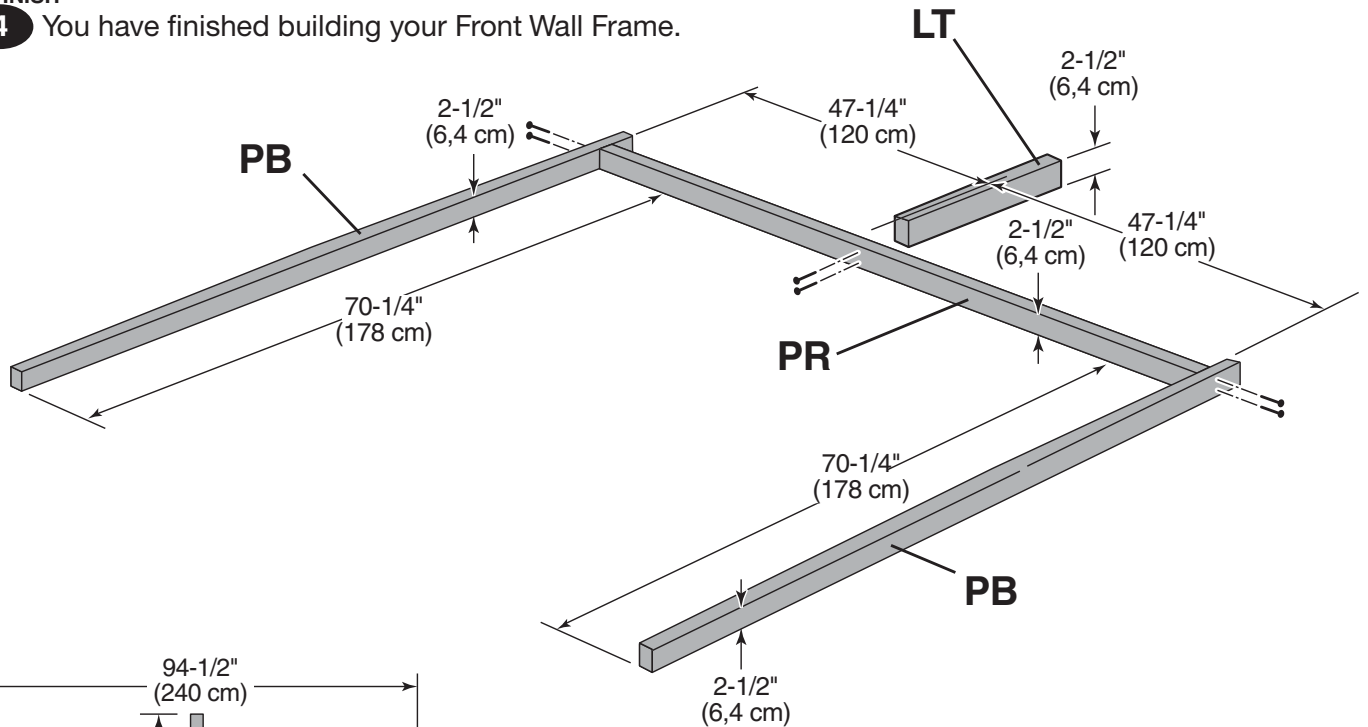
BEGIN

- 1 Lay out two **PB**, one **PR** and one **LT** on edge on floor.
- 2 Nail two **PB** to **PR** with two 3" nails at each end.
- 3 Ensure **LT** is centered with **PR** and nail in place with two 3" nails.



FINISH

- 4 You have finished building your Front Wall Frame.



GABLE 10' x 8'

GABLE 10' x 12'

GABLE 10' x 16'

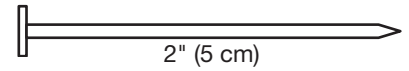
FRONT WALL PANELS

PARTS REQUIRED:

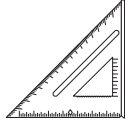
x1



x22

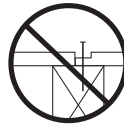
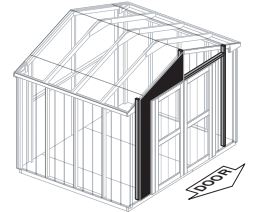


3/4" GAUGE BLOCK



✓ BEGIN

- 1 Place **LEFT** panel on front frame as shown with primed side up.
- 2 Use a 3/4" gauge block on edges of panel. Be sure to maintain 1" measurement between bottom edge of frame and bottom edge of panel (**Fig. A**).
- 3 Nail panel to frame with 2" nails 6" apart.



Do not nail in groove.

GABLE 10' x 8'

GABLE 10' x 12'

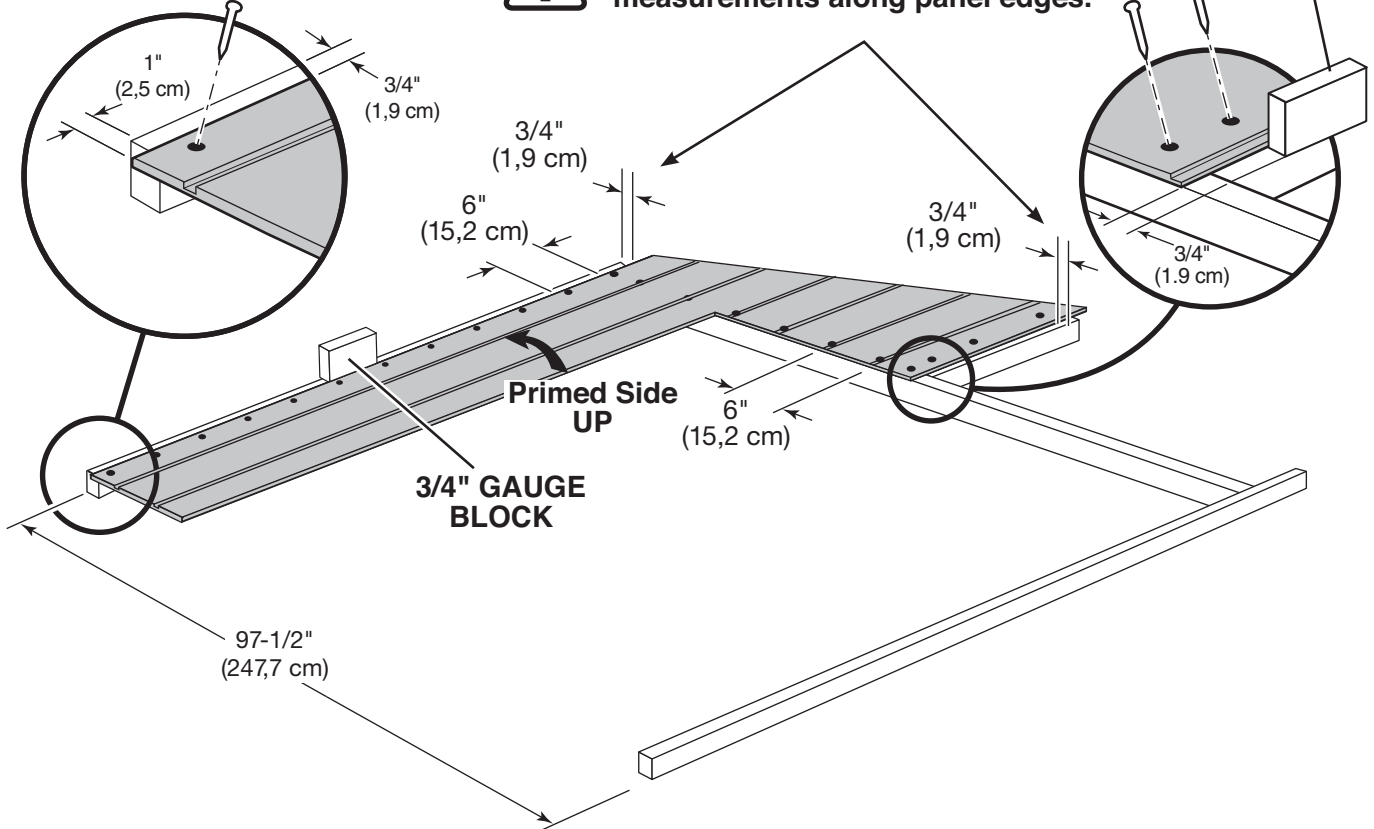
GABLE 10' x 16'

Fig. A



For squareness, maintain 3/4" measurements along panel edges.

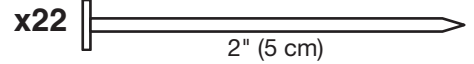
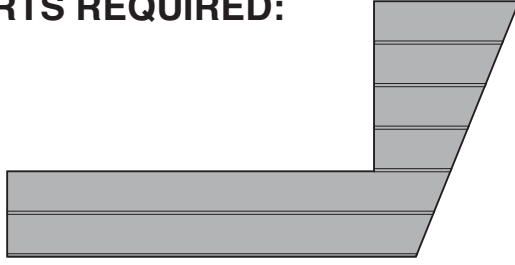
3/4" GAUGE BLOCK



FRONT WALL PANELS

PARTS REQUIRED:

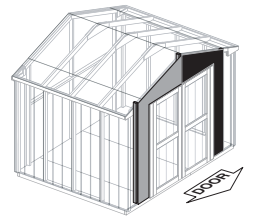
x1



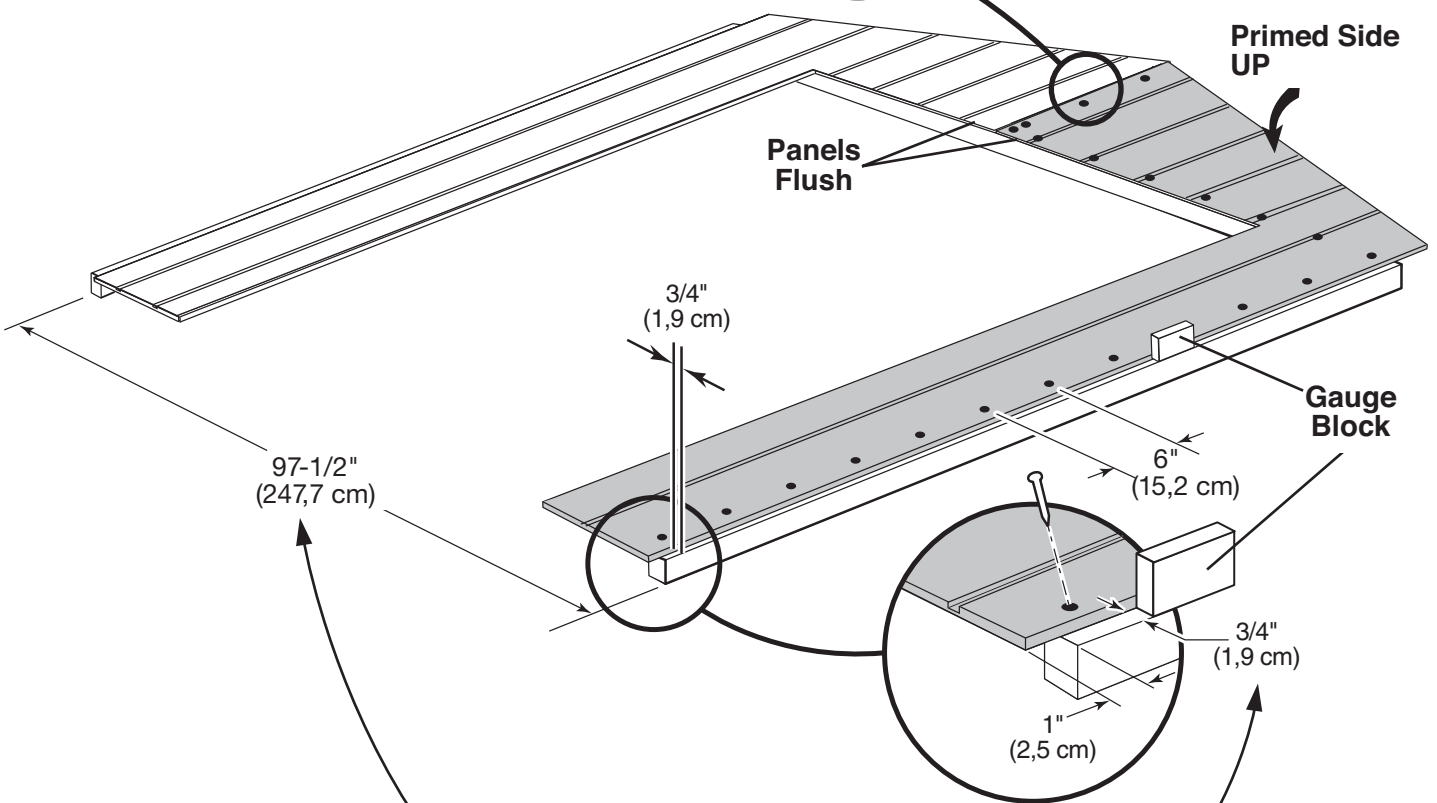
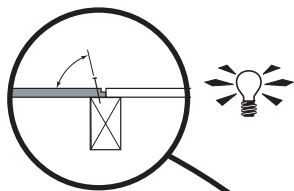
3/4" GAUGE BLOCK



- 4 Place **RIGHT** panel on front frame primed side up.
- 5 Use a 3/4" gauge block on edges of panel.
- 6 Nail panel to frame with 2" nails 6" apart.



To draw panels tight at seams angle nail.



GABLE 10' x 8'

GABLE 10' x 12'

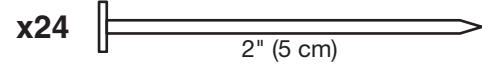
GABLE 10' x 16'

! For squareness, maintain 3/4" and 97-1/2" measurements.

FRONT WALL PANELS

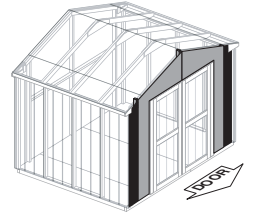
PARTS REQUIRED:

- x1  Pre-assembled **LEFT**
- x1  Pre-assembled **RIGHT**



7 Place wing wall panels onto frame with bottom of panels flush.

8 Nail left and right wing wall assemblies using 2" nails 6" apart.

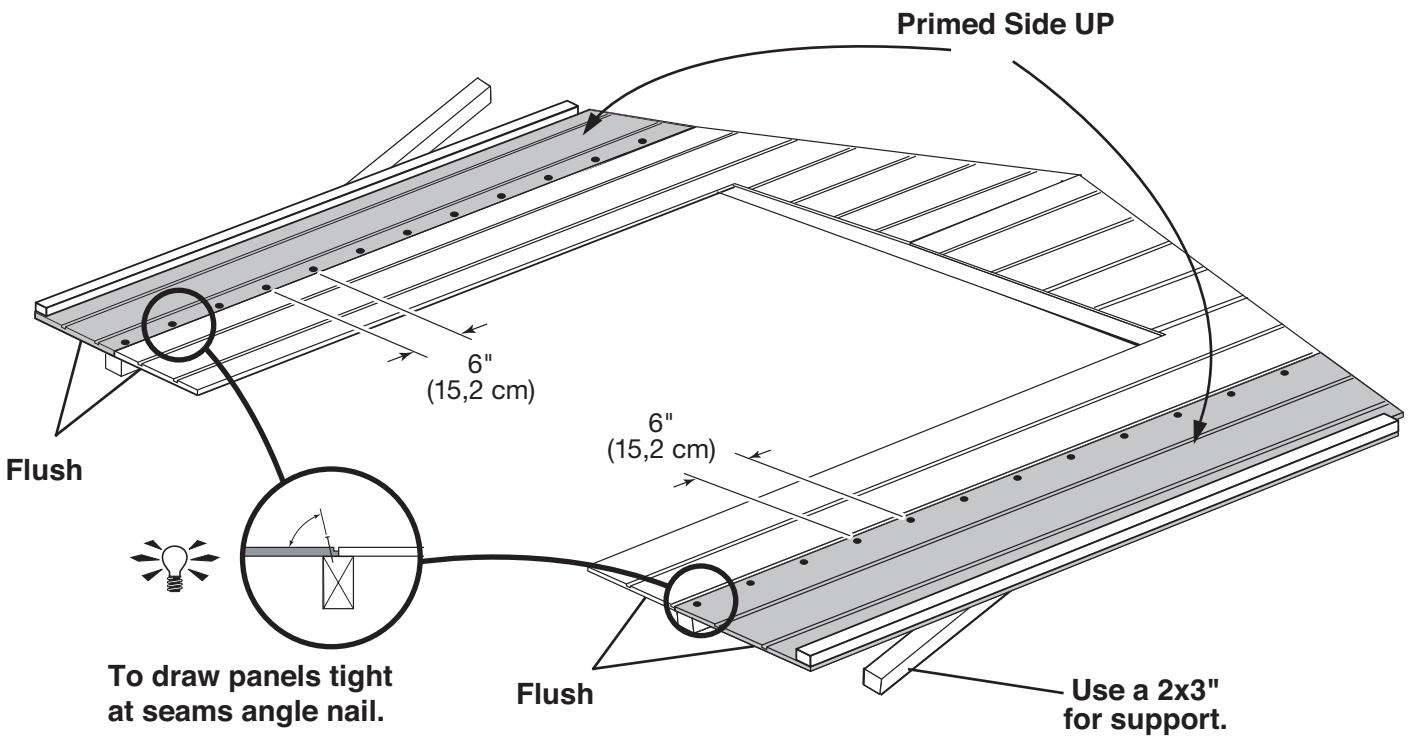


9 You have finished attaching your wing walls.

GABLE 10' x 8'

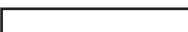
GABLE 10' x 12'


GABLE 10' x 16'

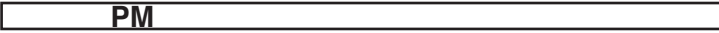


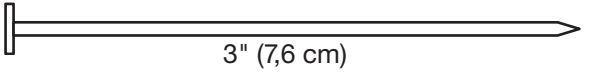
10' x 8' SIDE WALL FRAMES

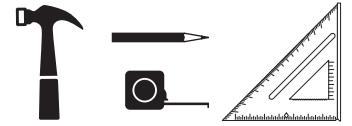
PARTS REQUIRED:

x4 
 7/16 x 2-1/2 x 24-3/4" (1,1 x 6,4 x 62,9 cm)

x6 
 2 x 3 x 69" (5 x 7,6 x 175 cm)

x2 
 2 x 3 x 92-5/8" (5 x 7,6 x 235,3 cm)

x28  3" (7,6 cm)



• FOR 10' x 12', SKIP TO PAGE 31.

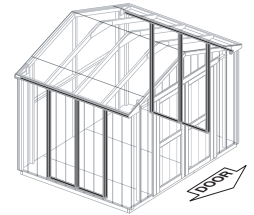
• FOR 10' x 16', SKIP TO PAGE 35.

✓ **BEGIN**

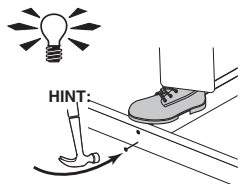
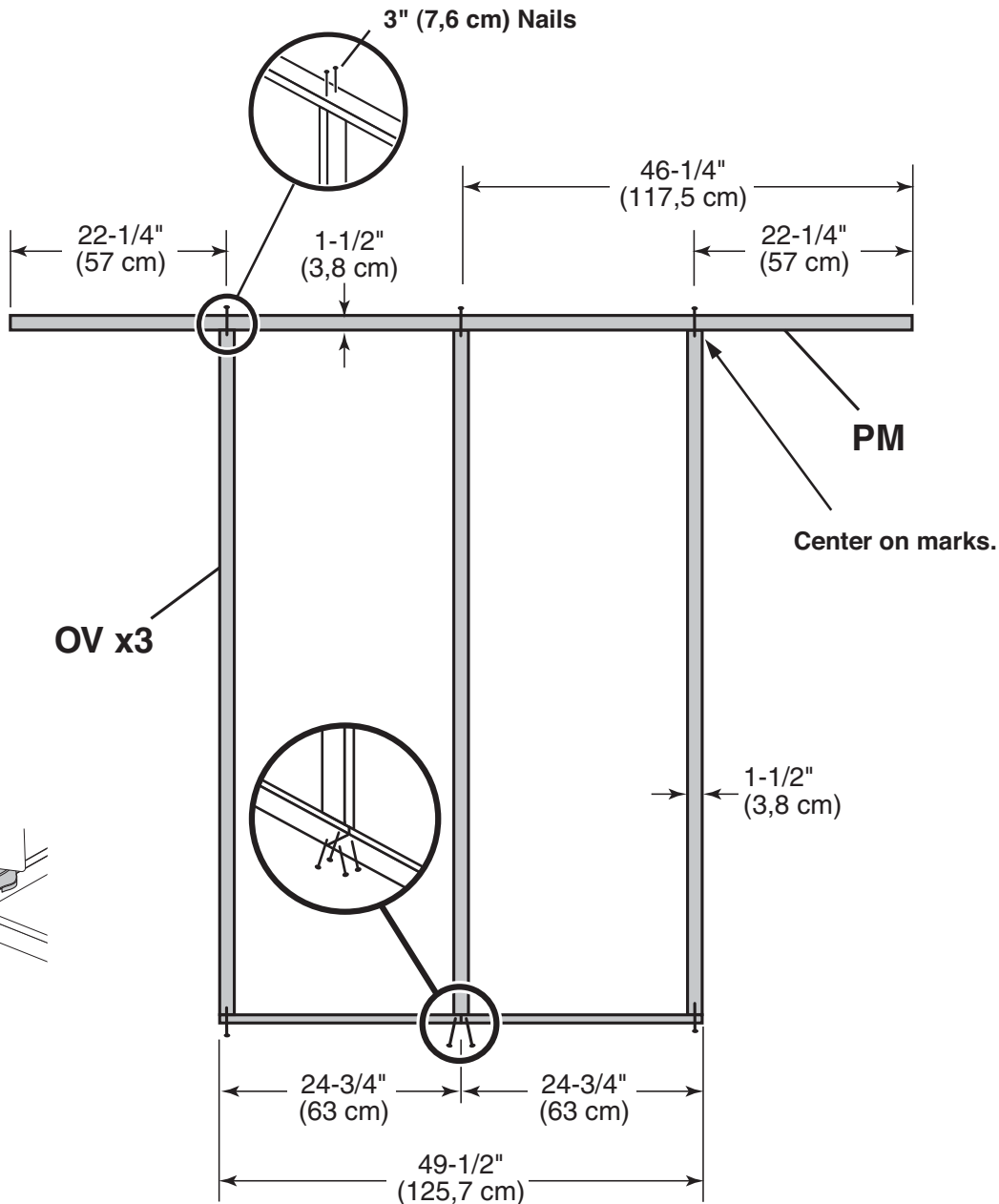
1 Orient parts on edge on floor. Measure and mark from end of boards.

2 Use two 3" nails at each mark.

IMPORTANT! You will build two walls the same.

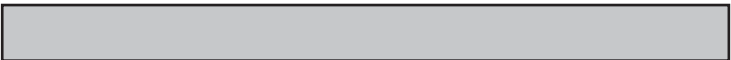


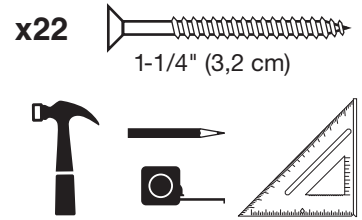
GABLE 10' x 8'




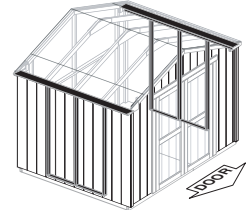
10' x 8' SIDE WALL FRAME - SOFFIT

PARTS REQUIRED:

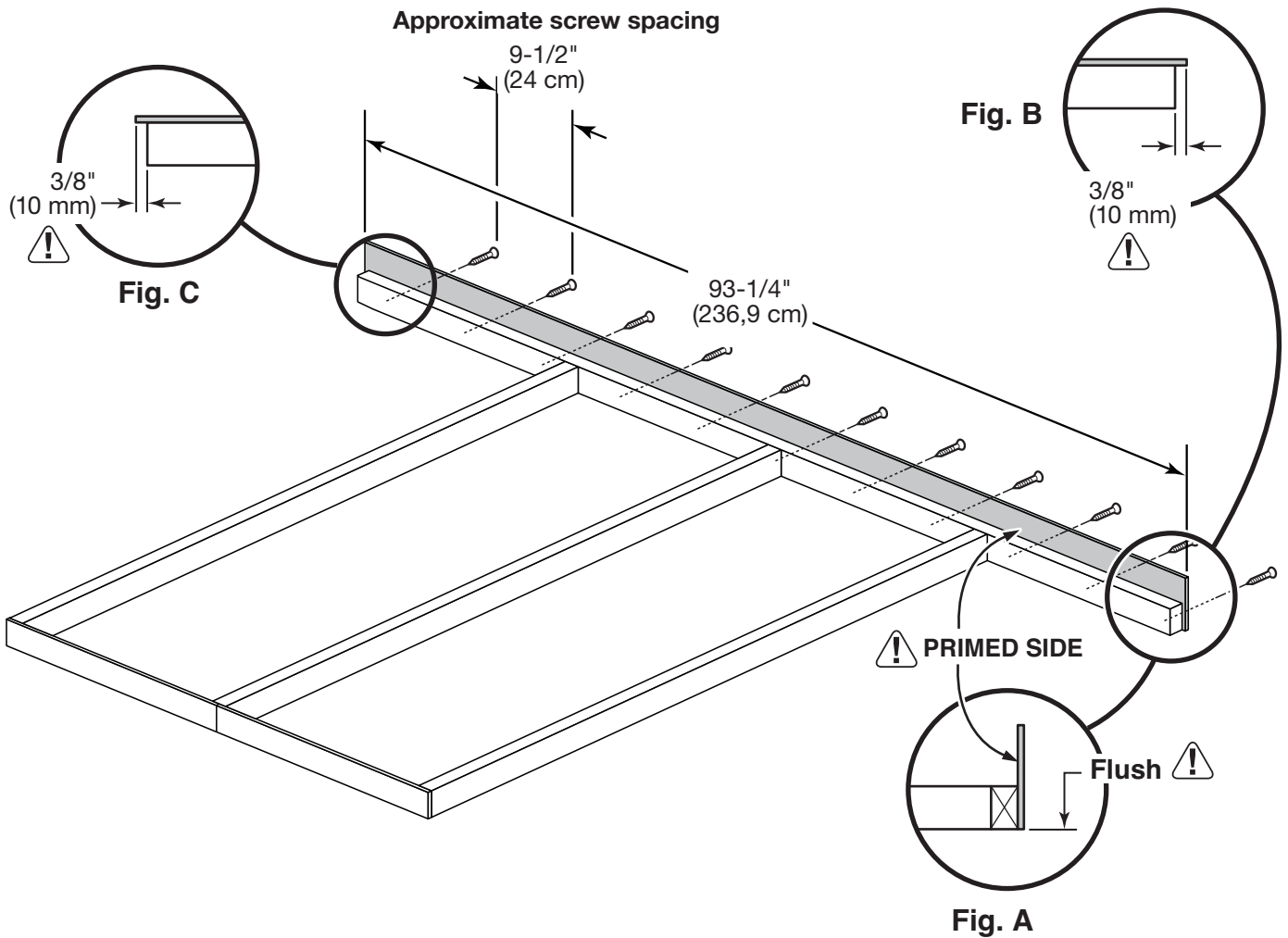
x2 
 3/8 x 5 x 93-1/4" (0,9 x 12,7 x 236,9 cm)



- Place panel onto 2 x 3 with primed side against 2 x 3 (Fig A)
-  **Keep panel flush along entire edge of 2 x 3 top plate (Fig A).**
- Attach soffit panel flush to 2 x 3 (Fig A) and with 3/8" offset at ends (Fig. B, C) using eleven 1-1/4" screws.

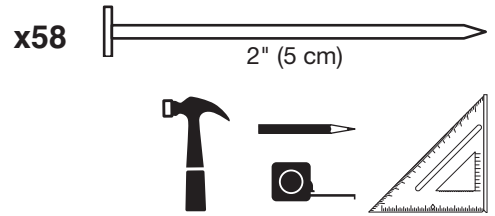
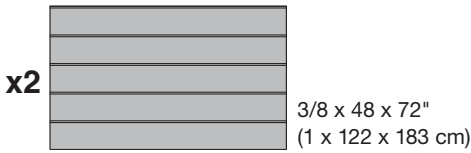


GABLE 10' x 8'



10' x 8' SIDE WALL PANELS

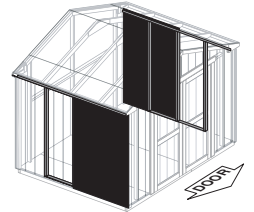
PARTS REQUIRED:



! Ensure your wall frame is square by installing one panel and squaring frame.

5 Place the 48 x 72" panel onto wall frame with primed side up as shown. Note the lip and square edges.

Use the gauge block to mark the 3/4" measurement on the wall stud. Locate the panel flush under the soffit panel. Secure panel with two 2" nails in the corners (**Fig. A**).



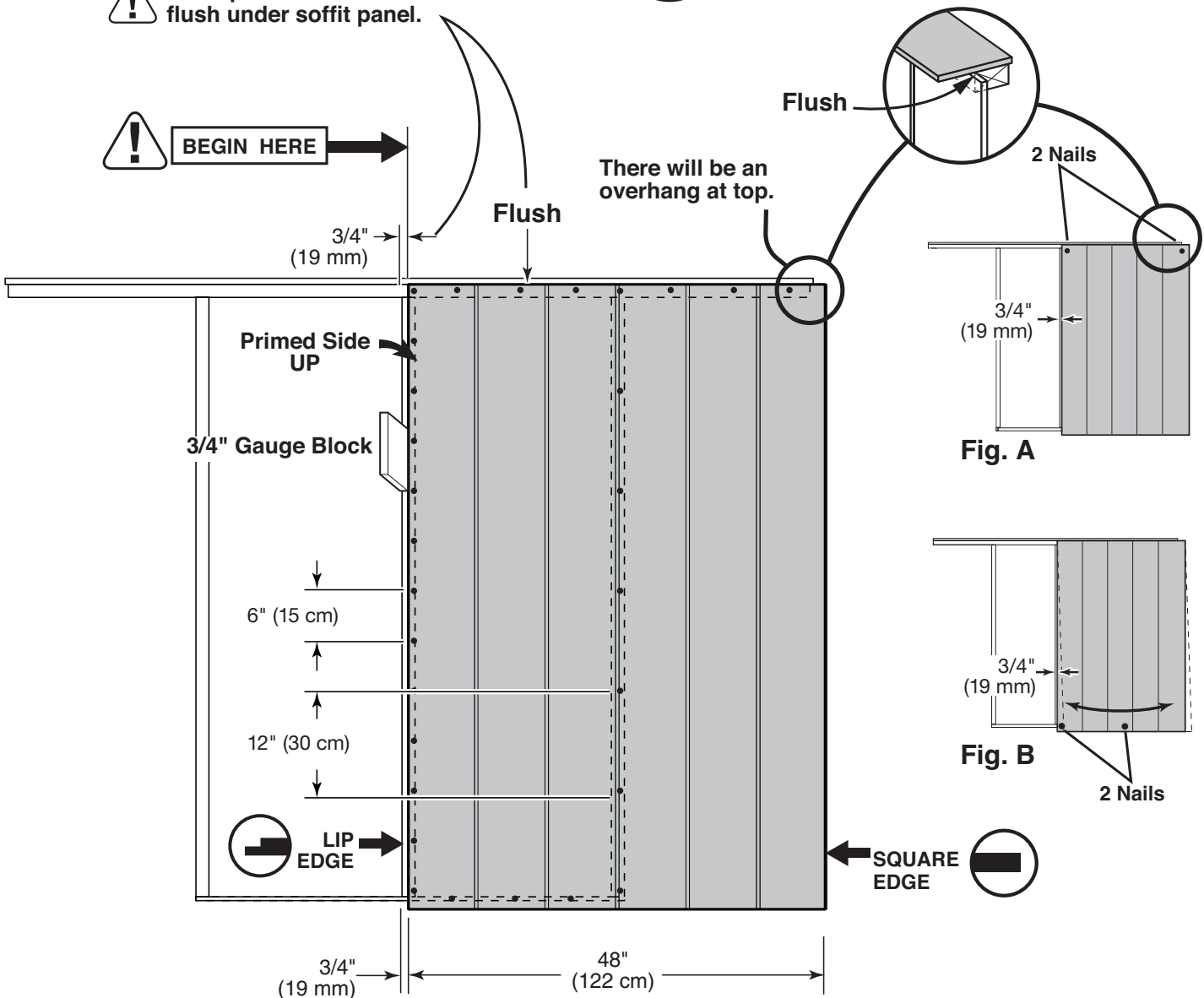
6 Move to the opposite end. Using the long edge of the panel as a lever move the panel side-to-side until you have a 3/4" measurement on the wall stud. Secure corner with two 2" nails.

7 Nail the panel using 2" nails 6" apart on edges and 12" apart inside panel.

! For squareness maintain 3/4" and flush under soffit panel.



! BEGIN HERE



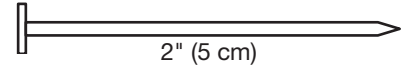
GABLE 10' x 8'

10' x 8' SIDE WALL PANELS

PARTS REQUIRED:

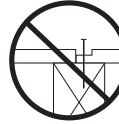


x58

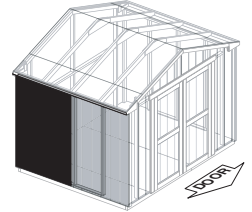


- 8** Place 48" panel on frame as shown with primed side facing up. **NOTE THE SQUARE AND LIP EDGES.**

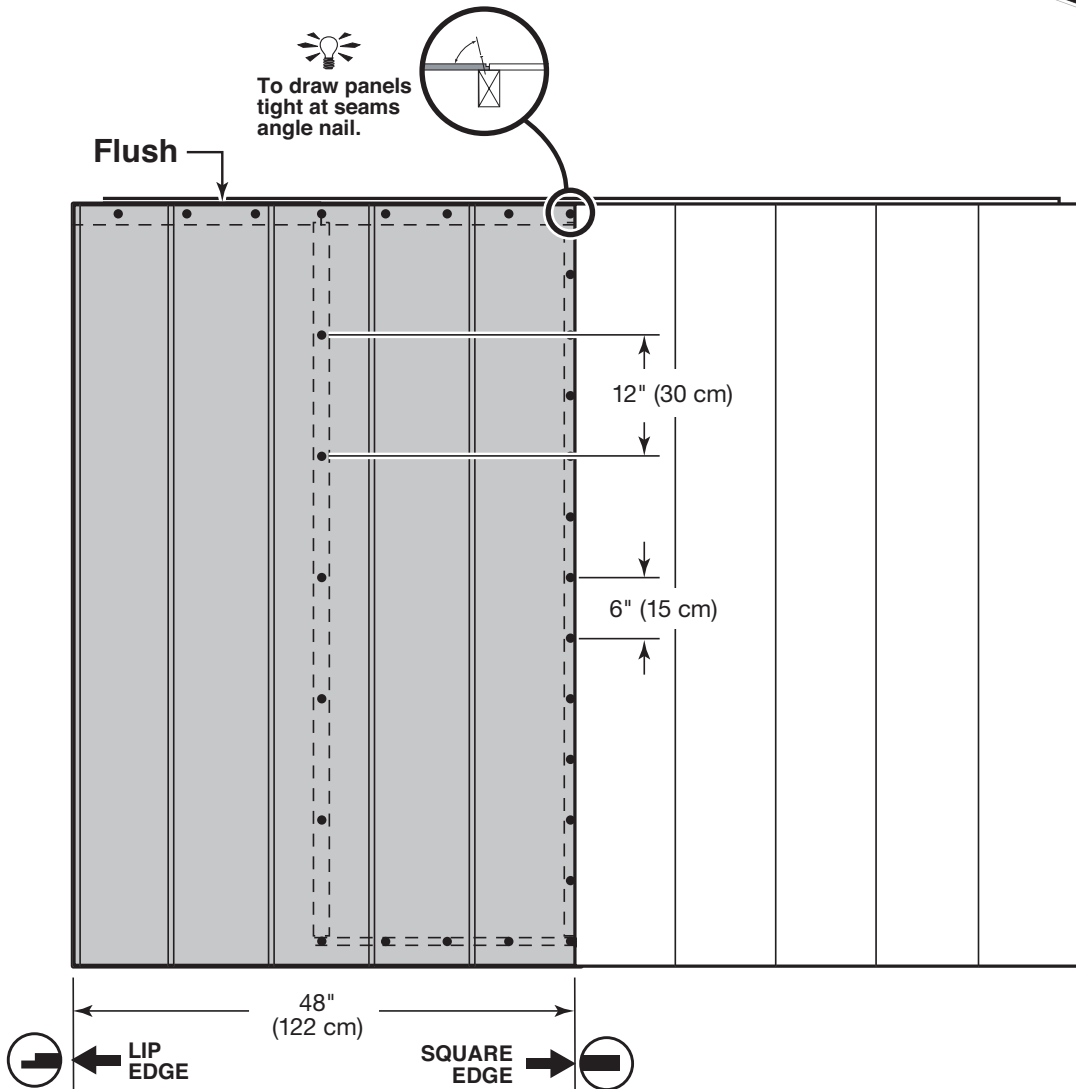
Nail using 2" nails 6" apart on edges and 12" apart inside panel.



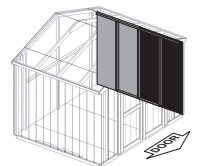
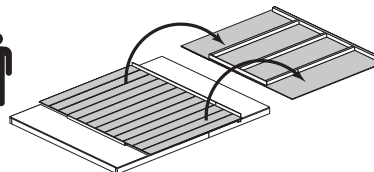
Do not nail in groove.



GABLE 10' x 8'



Carefully flip your sidewall over. Repeat **STEPS 1-8** to assemble your second side wall.



- 9** You have finished building both of your side walls. **Go to page 39.**

10' x 12' SIDE WALL FRAMES

PARTS REQUIRED:

x2 **NK**
2 x 3 x 48" (5 x 7,6 x 122 cm)

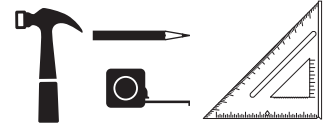
x2 **OV**
7/16 x 2-1/2 x 48" (1,1 x 6,4 x 122 cm)

x10 **OV**
2 x 3 x 69" (5 x 7,6 x 175 cm)

x4 **PM**
7/16 x 2-1/2 x 24-3/4" (1,1 x 6,4 x 62,9 cm)

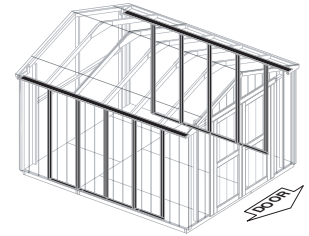
x2 **PM**
2 x 3 x 92-5/8" (5 x 7,6 x 235,3 cm)

x52 **3"** (7,6 cm)

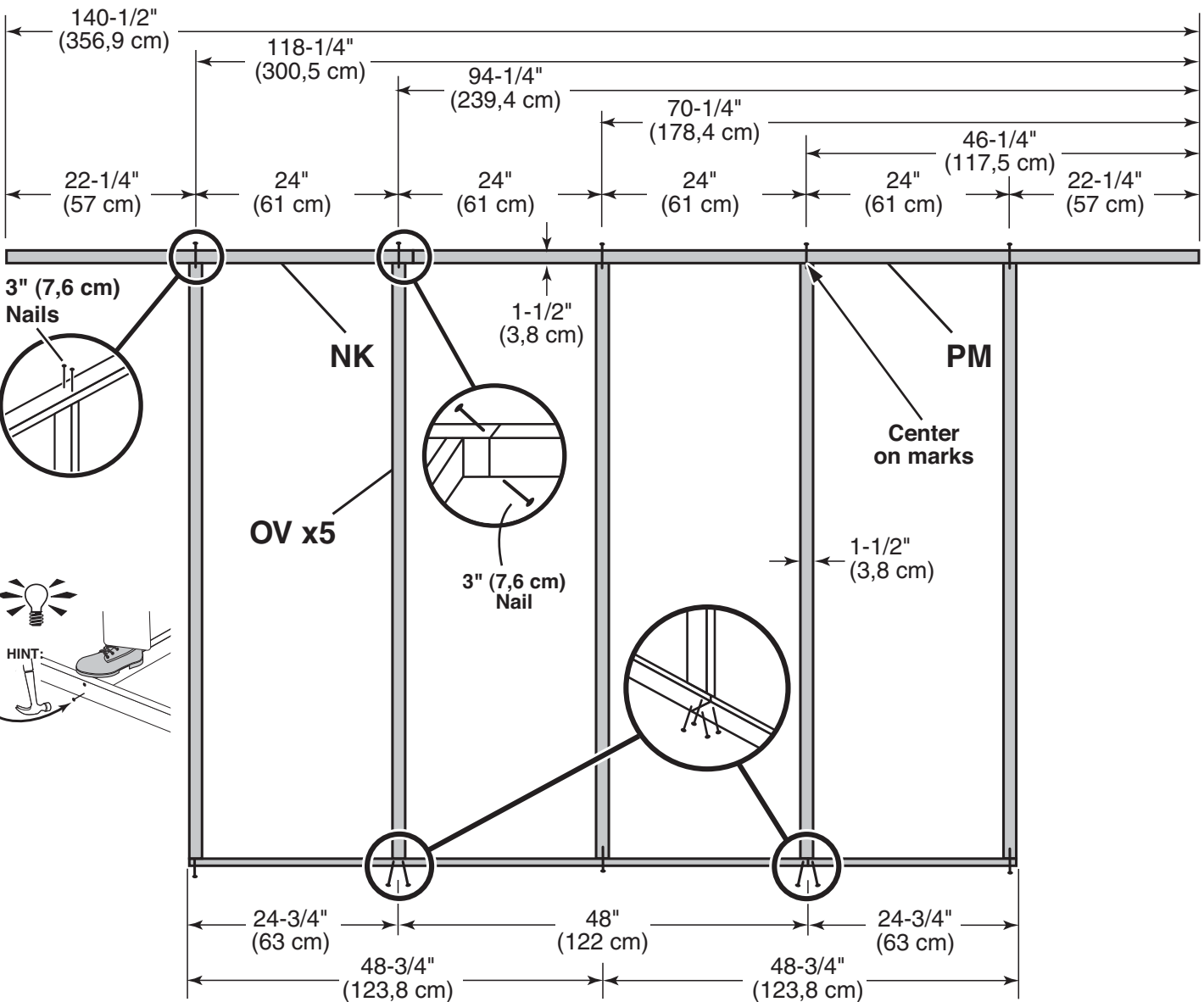


✓ BEGIN

- 1** Orient parts on edge on floor. Measure and mark from end of boards.
- 2** Use two 3" nails at each mark.





IMPORTANT! You will build two walls the same.




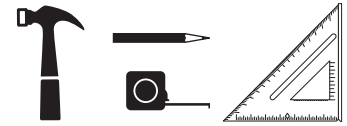
10' x 12' SIDE WALL FRAME - SOFFIT

PARTS REQUIRED:

x2 
3/8 x 5 x 48" (0,9 x 12,7 x 122 cm)

x2 
3/8 x 5 x 93-1/4" (0,9 x 12,7 x 236,9 cm)

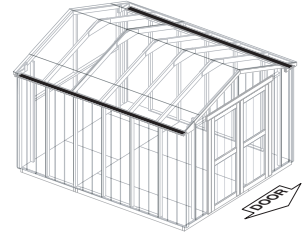
x34 
1-1/4" (3,2 cm)



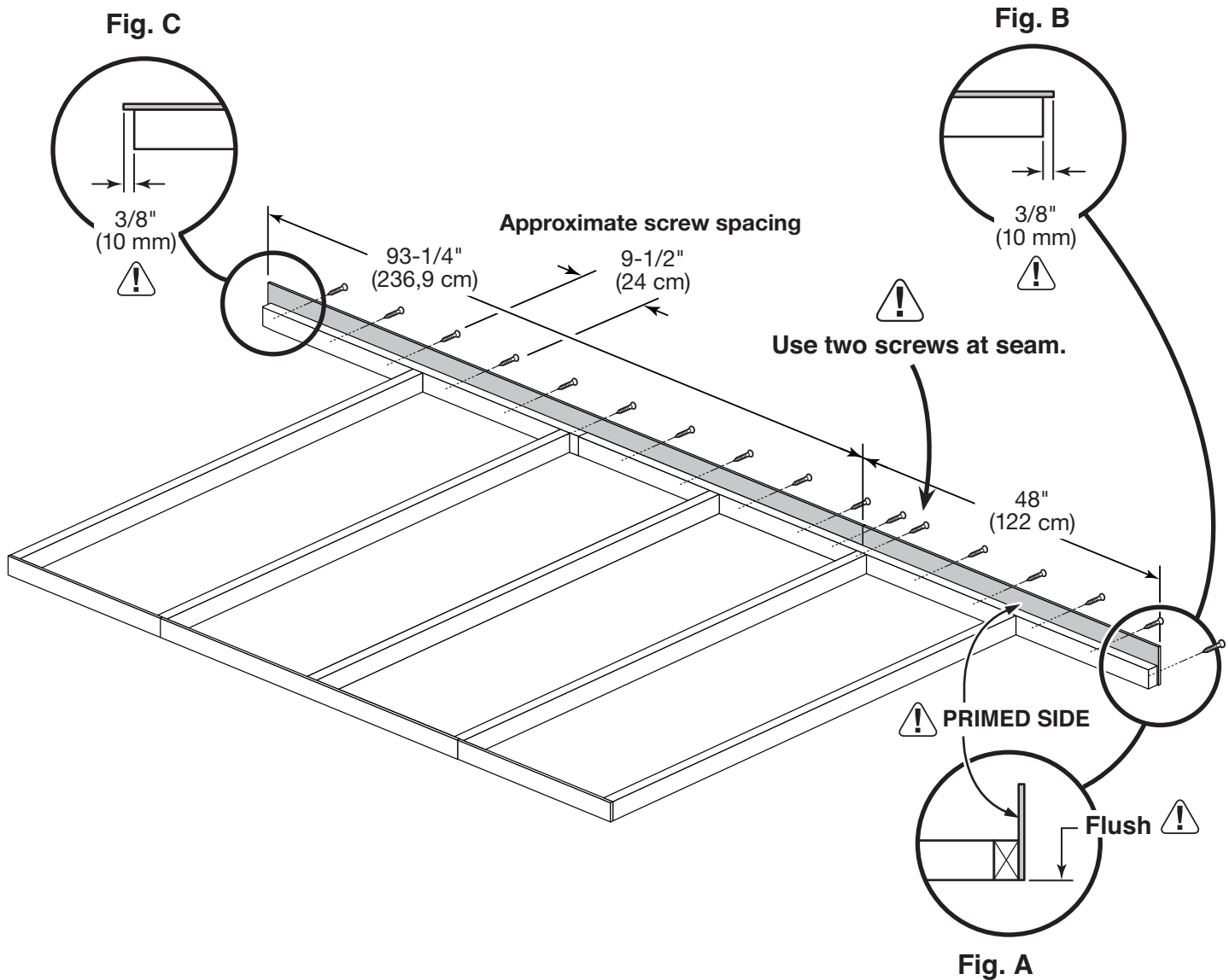
3 Place panels onto 2 x 3 with primed side against 2 x 3 as shown (Fig A)

! Keep panel flush along entire edge of 2 x 3 top plate (Fig A).

4 Attach soffit panels flush to 2 x 3 (Fig A) and with 3/8" offset at ends (Fig. B, C) using (16) 1-1/4" screws.

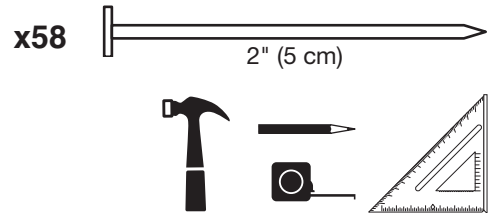
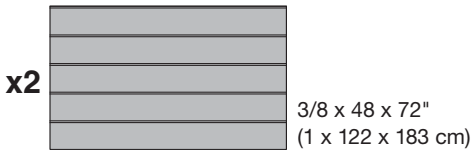


GABLE 10' x 12'



10' x 12' SIDE WALL PANELS

PARTS REQUIRED:



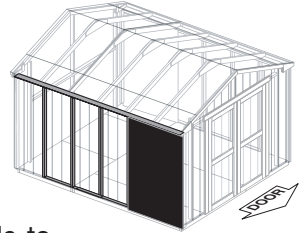
! Ensure your wall frame is square by installing one panel and squaring frame.

5 Place the 48 x 72" panel onto wall frame with primed side up as shown. Note the lip and square edges.

Use the gauge block to mark the 3/4" measurement on the wall stud. Locate the panel flush under the soffit panel. Secure panel with two 2" nails in the corners (**Fig. A**).

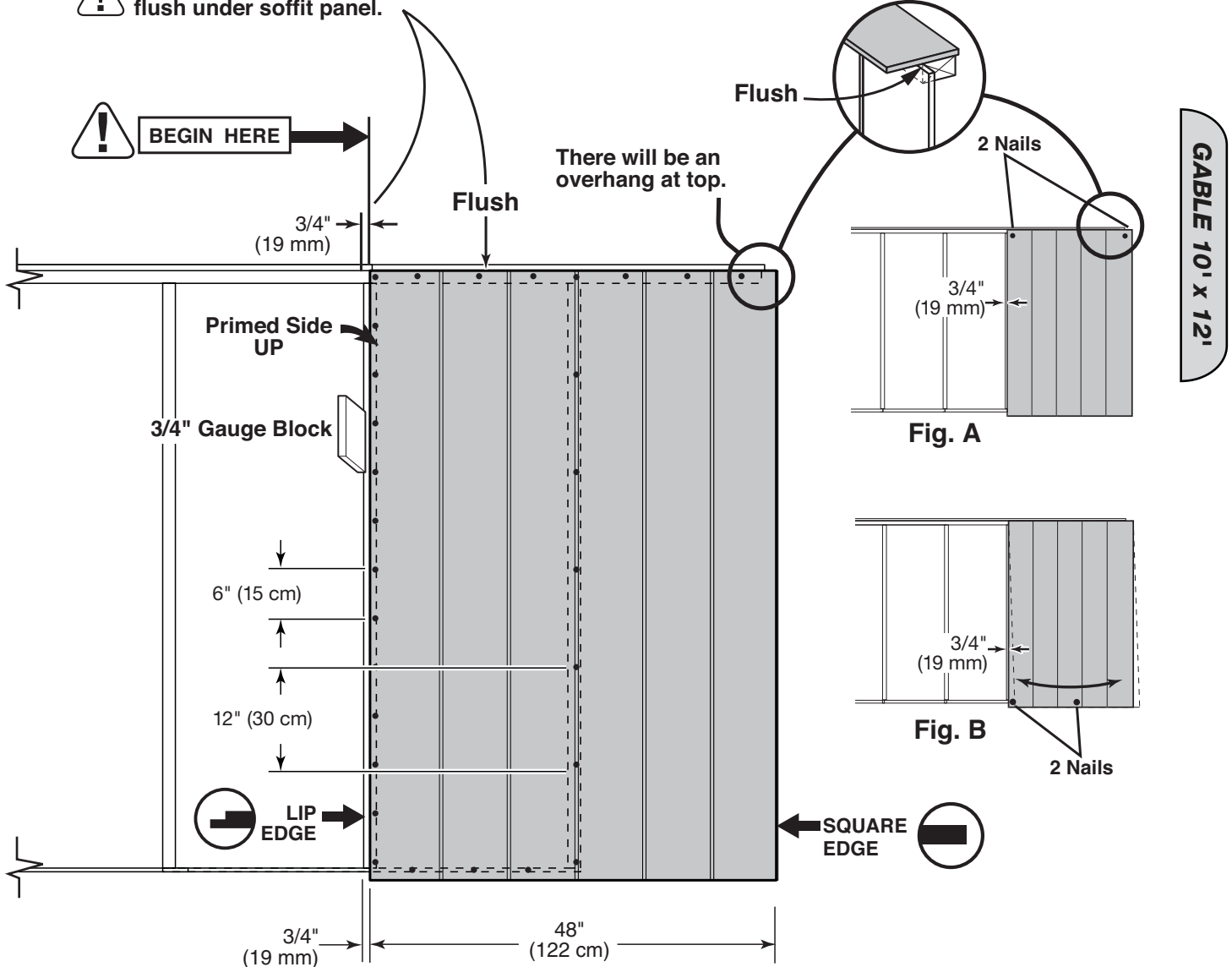
6 Move to the opposite end. Using the long edge of the panel as a lever move the panel side-to-side until you have a 3/4" measurement on the wall stud. Secure corner with two 2" nails.

7 Nail the panel using 2" nails 6" apart on edges and 12" apart inside panel.



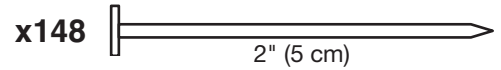
! For squareness maintain 3/4" and flush under soffit panel.

! BEGIN HERE



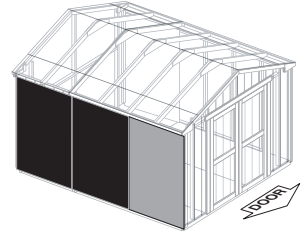
10' x 12' SIDE WALL PANELS

PARTS REQUIRED:

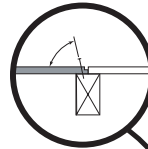


8 Place 48" panels on frame as shown with primed side facing up. **NOTE THE SQUARE AND LIP EDGES.**

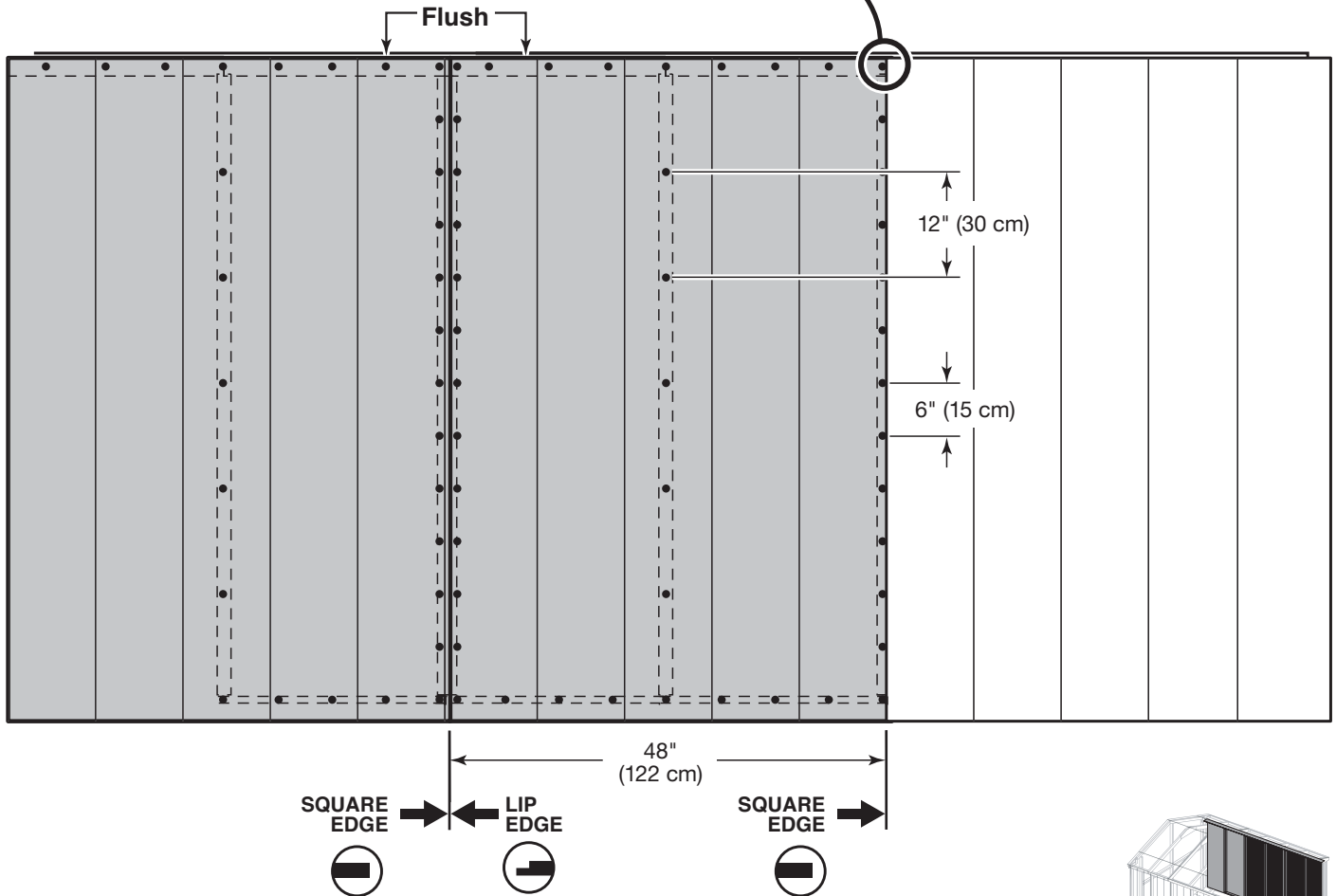
Nail using 2" nails 6" apart on edges and 12" apart inside panel.



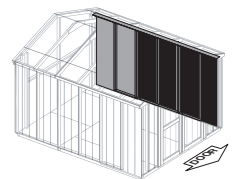
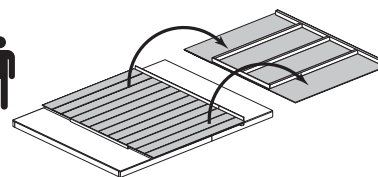
To draw panels tight at seams angle nail.



GABLE 10' x 12'



Carefully flip your sidewall over.
Repeat **STEPS 1-8** to assemble your second side wall.



9 You have finished building both of your side walls. **Go to page 39.**

10' x 16' SIDE WALL FRAMES

PARTS REQUIRED:

x4 7/16 x 2-1/2 x 48" (1,1 x 6,4 x 122 cm)

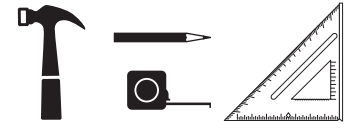
x4 7/16 x 2-1/2 x 24-3/4" (1,1 x 6,4 x 62,9 cm)

x14 **OV** 2 x 3 x 69" (5 x 7,6 x 175 cm)

x2 **NK** 2 x 3 x 48" (5 x 7,6 x 122 cm)

x2 **PM** 2 x 3 x 92-5/8" (5 x 7,6 x 235,3 cm)

x72 3" (7,6 cm)

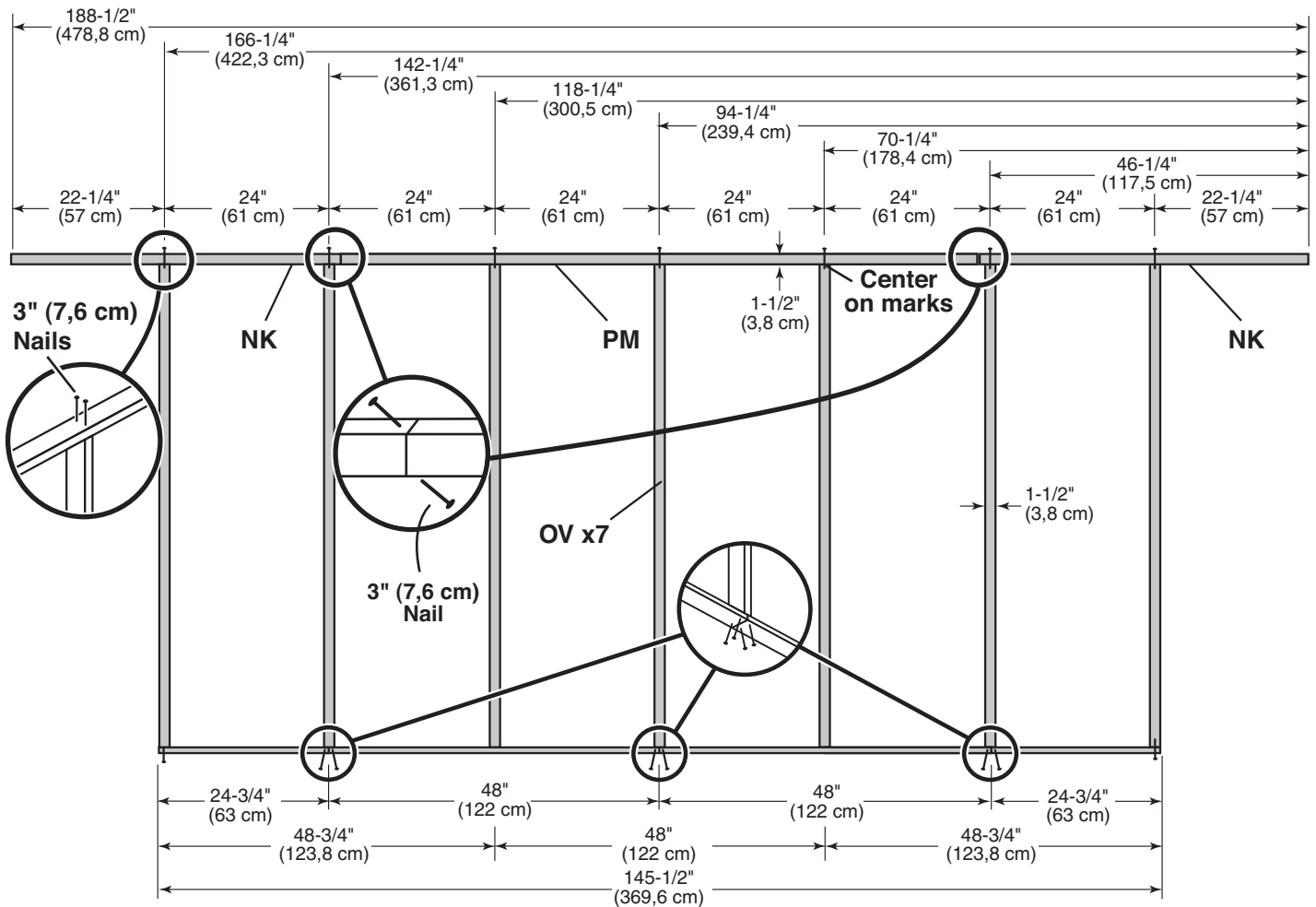
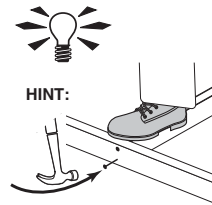
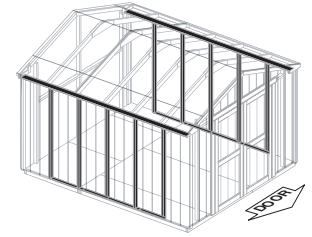


✓ BEGIN

1 Orient parts on edge on floor. Measure and mark from end of boards.

IMPORTANT! You will build two walls the same.

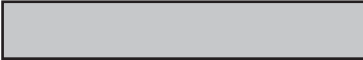
2 Use two 3" nails at each mark.





GABLE 10' x 16'

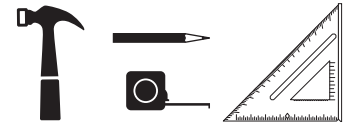
10' x 16' SIDE WALL FRAME- SOFFIT

PARTS REQUIRED:

x4 
3/8 x 5 x 48" (0,9 x 12,7 x 122 cm)

x2 
3/8 x 5 x 93-1/4" (0,9 x 12,7 x 236,9 cm)

x44 
1-1/4" (3,2 cm)



3 Place panels onto 2 x 3 with primed side against 2 x 3 as shown (Fig A)

 **Keep panel flush along entire edge of 2 x 3 top plate (Fig A).**

4 Attach soffit panels flush to 2 x 3 (Fig A) and with 3/8" offset at ends (Fig. B, C) using nineteen 1-1/4" screws.

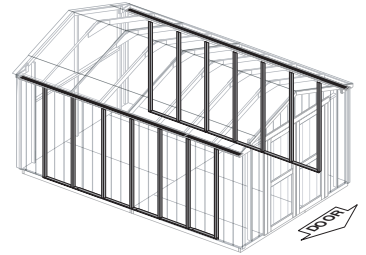
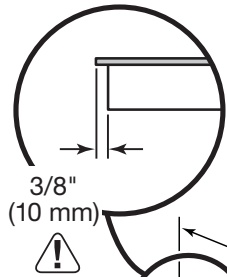


Fig. C

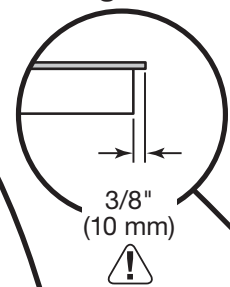


3/8"
(10 mm)



Use two screws at seam.

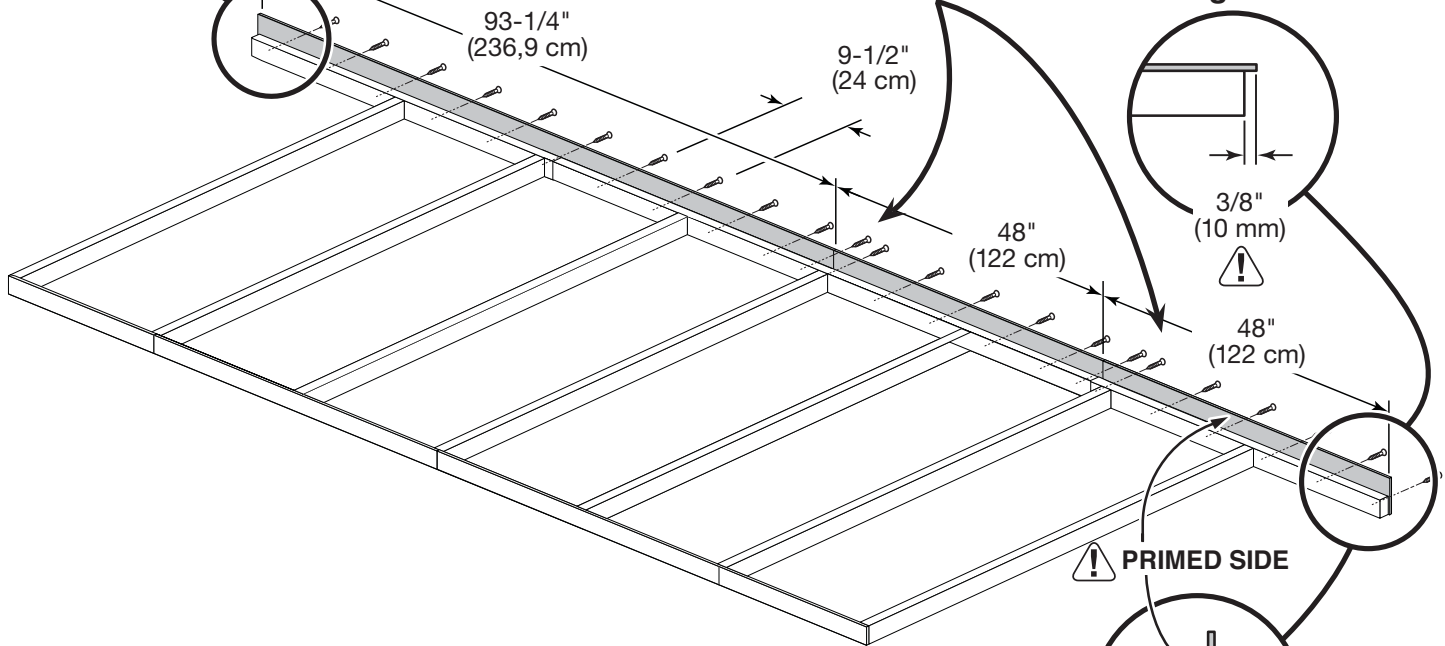
Fig. B



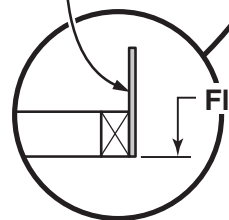
3/8"
(10 mm)



48"
(122 cm)



 PRIMED SIDE



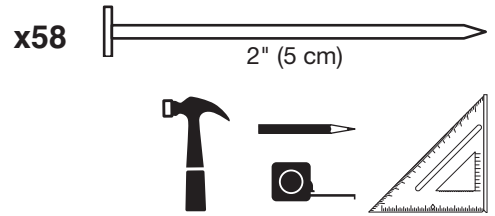
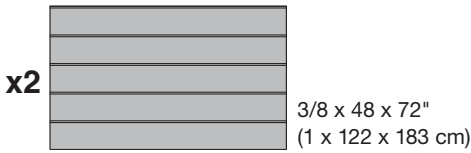
Flush 

Fig. A

GABLE 10' x 16'

10' x 16' SIDE WALL PANELS

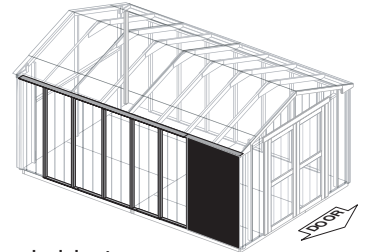
PARTS REQUIRED:



! Ensure your wall frame is square by installing one panel and squaring frame.

5 Place the 48 x 72" panel onto wall frame with primed side up as shown. Note the lip and square edges.

Use the gauge block to mark the 3/4" measurement on the wall stud. Locate the panel flush under the soffit panel. Secure panel with two 2" nails in the corners (**Fig. A**).



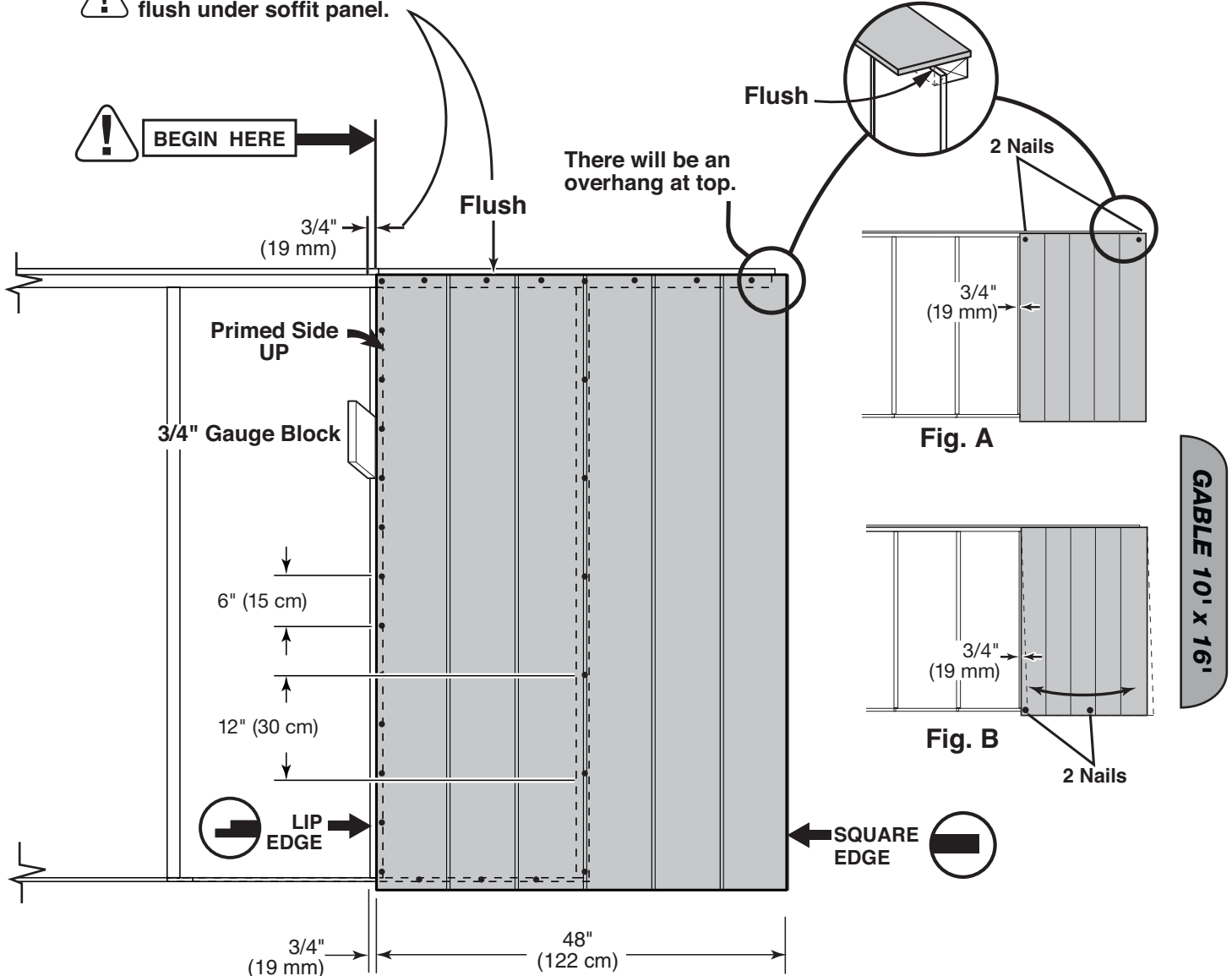
6 Move to the opposite end. Using the long edge of the panel as a lever move the panel side-to-side until you have a 3/4" measurement on the wall stud. Secure corner with two 2" nails.

7 Nail the panel using 2" nails 6" apart on edges and 12" apart inside panel.



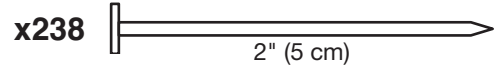
! For squareness maintain 3/4" and flush under soffit panel.

! BEGIN HERE



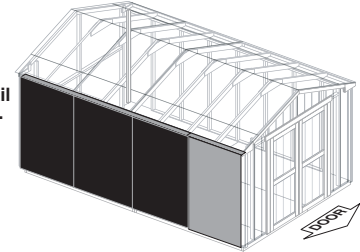
10' x 16' SIDE WALL PANELS

PARTS REQUIRED:

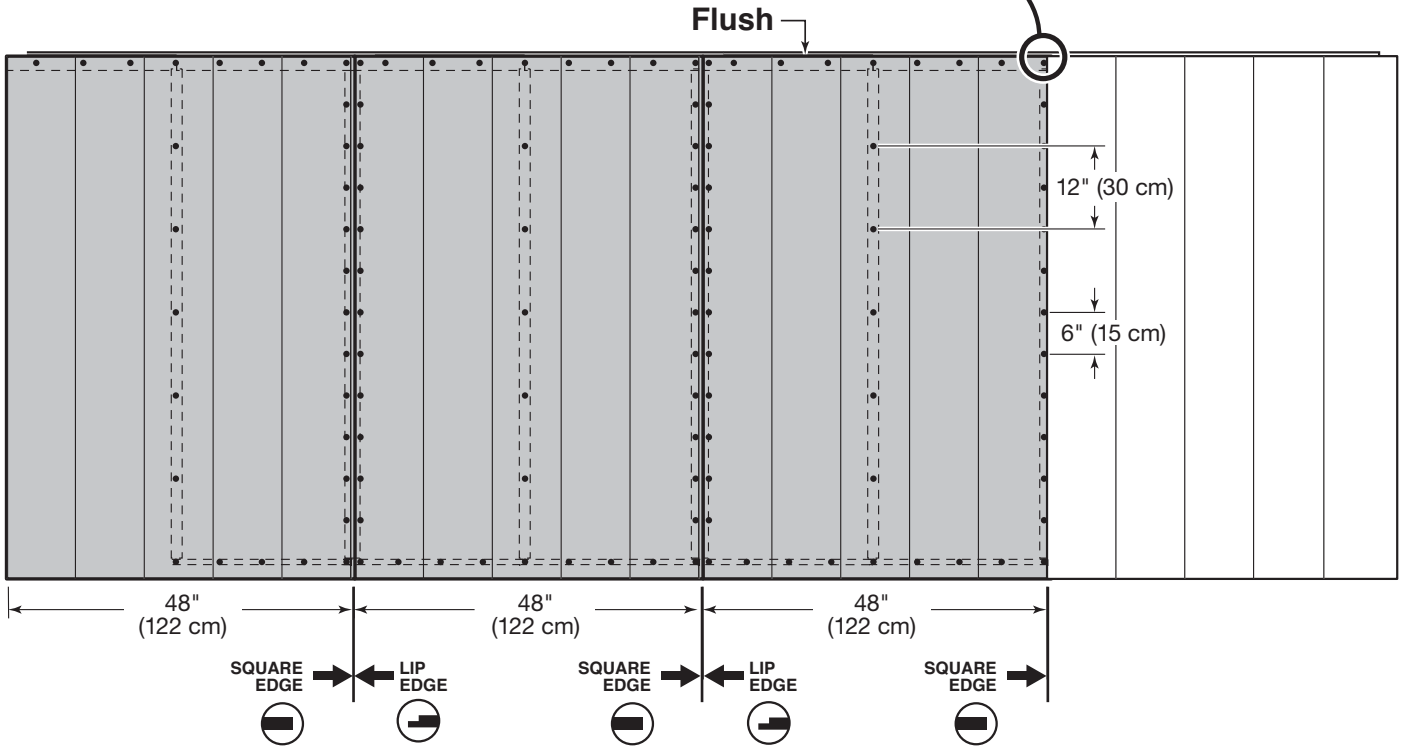
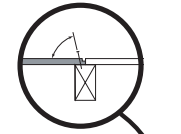


8 Place 48" panels on frame as shown with primed side facing up. **NOTE THE SQUARE AND LIP EDGES.**

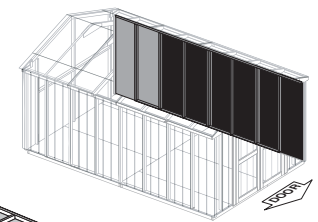
Nail using 2" nails 6" apart on edges and 12" apart inside panel.



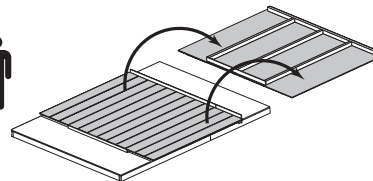
To draw panels tight at seams angle nail.



GABLE 10' x 16'



Carefully flip your sidewall over. Repeat **STEPS 1-8** to assemble your second side wall.



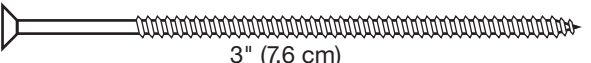
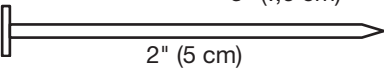
FINISH

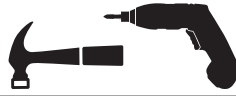
10 You have finished building both of your side walls. **Go to page 39.**

BACK WALL INSTALLATION

PARTS REQUIRED (TEMPORARY):

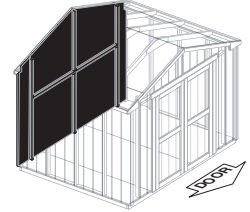
x1 **OO**
2 x 3 x 69" (5 x 7,6 x 175,3 cm)

x8  3" (7,6 cm)
x24  2" (5 cm)

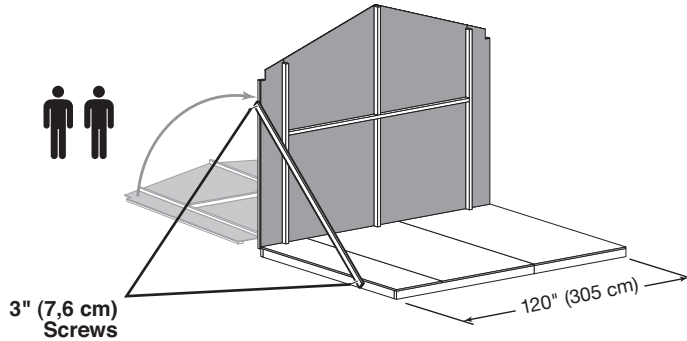


✓ BEGIN

- Center back wall assembly on the 120" (305 cm) floor dimension.
- Use **OO** as a temporary brace. Secure with two 3" screws.



NOTE: 10'x8' Gable Shown.



GABLE 10' x 8'

- First, nail lower edge of panel to floor frame using 2" nails 6" apart. Angle nail to hit floor frame (**Fig. A**).
- Screw back wall uprights to floor using two 3" screws (**Fig. B**).

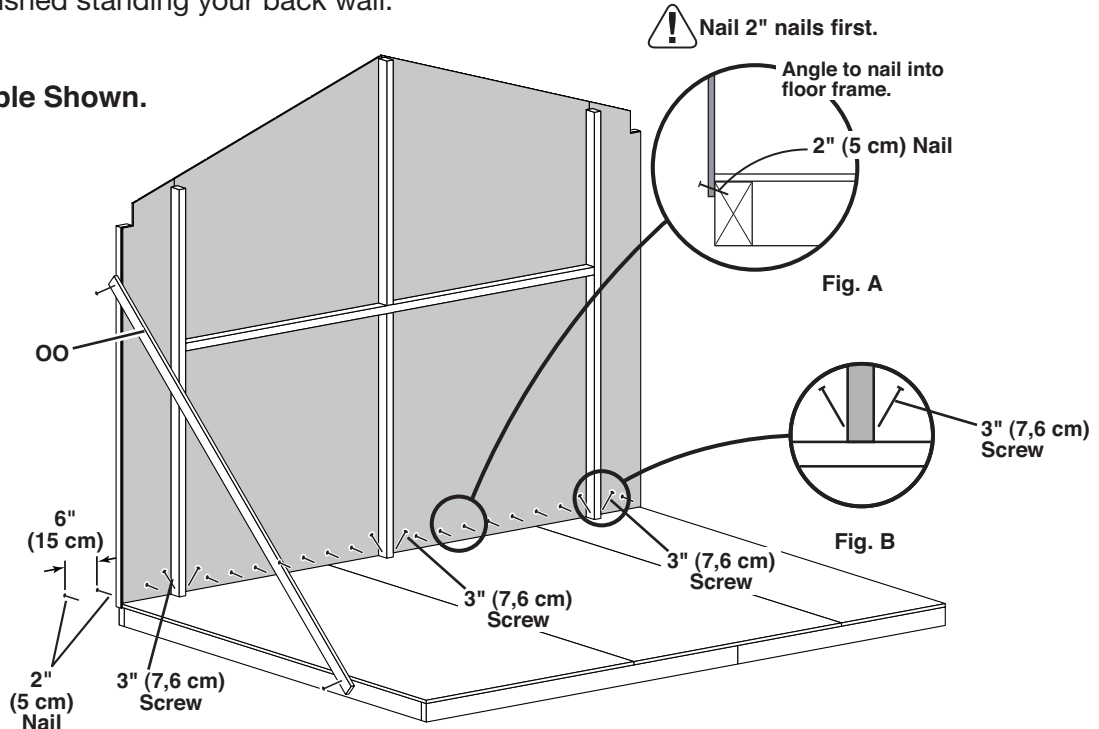


GABLE 10' x 12'

FINISH

- You have finished standing your back wall.

NOTE: 10'x8' Gable Shown.

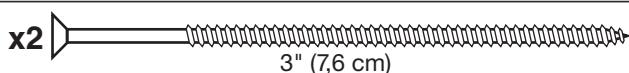
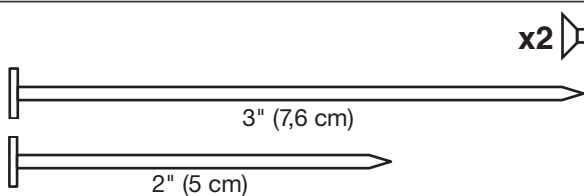


GABLE 10' x 16'

10x8' 10x12' 10x16'

SIDE WALLS INSTALLATION

x4	x8	x12
x30	x39	x48

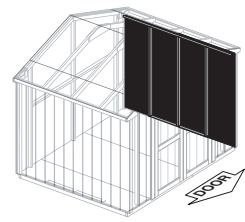


⚠ Additional fasteners needed for 10' x 12' kit or 10' x 16' kit. Same instructions apply.

BEGIN

Stand right sidewall on floor.

⚠ It is important to secure the sidewall in the following order:



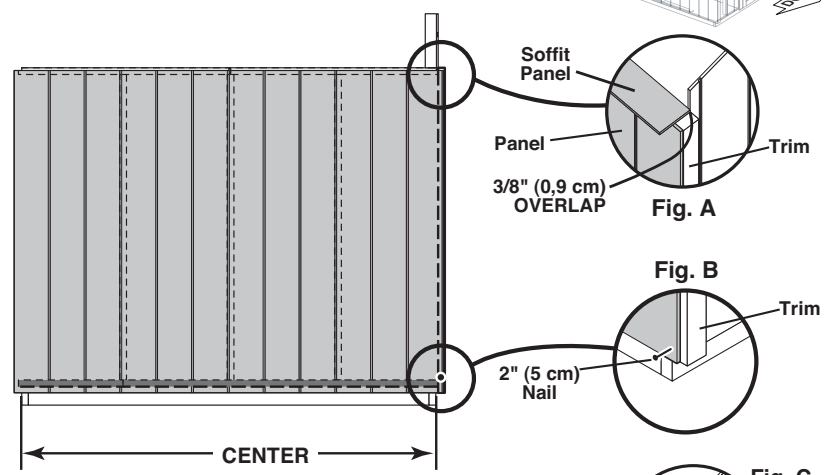
GABLE 10' x 8'

- Center sidewall on floor front to back.

Rest the top of the sidewall so the soffit panel overlaps the backwall panel 3/8" (**Fig. A**).



Nail the lower sidewall corner to the backwall trim with one 2" nail (**Fig. B**).

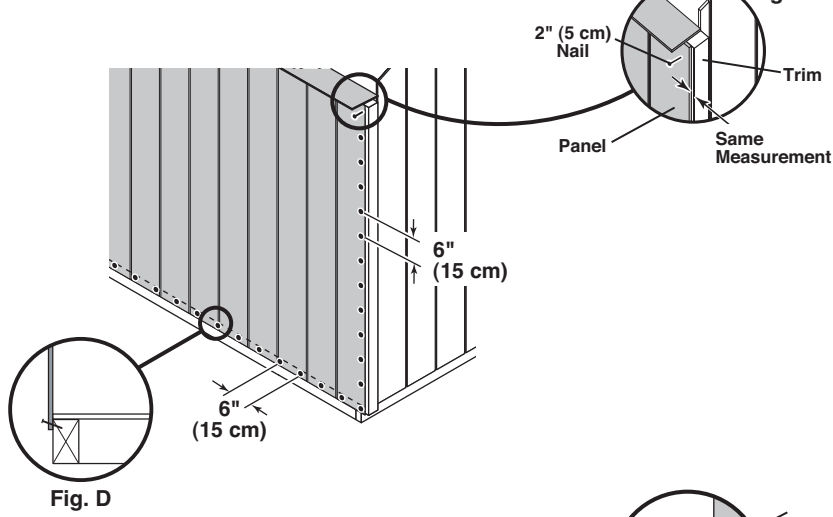


GABLE 10' x 12'

- Be sure the measurement between the panel edge and the trim is the same along the entire length. Then secure with one 2" nail in the upper corner (**Fig. C**).

Nail along the panel edge into the trim using 2" nails spaced 6" apart.

Nail along bottom of panel using 2" nails 6" apart. Angle nail to hit floor frame (**Fig. D**).

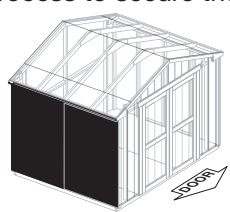
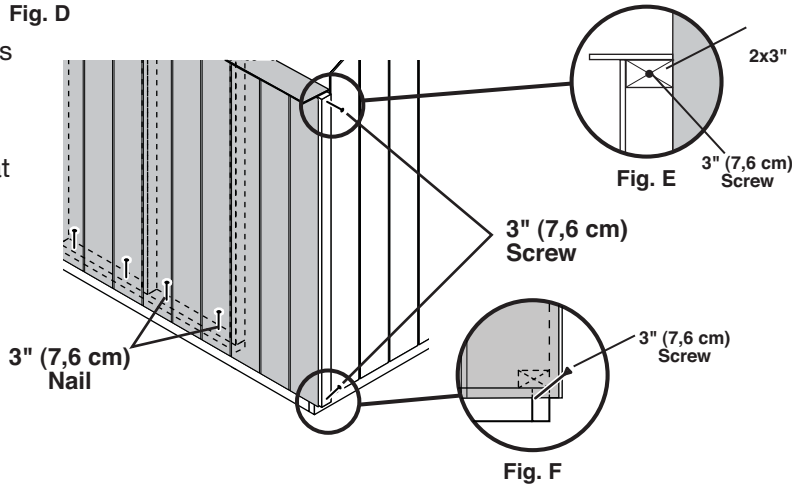


GABLE 10' x 16'

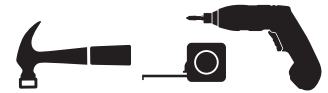
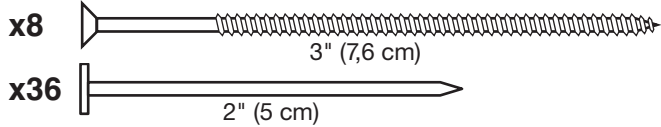
- Nail down the bottom plate using two 3" nails between the wall studs.

Screw through the backwall trim into the top plate (**Fig. E**), and angled to hit floor frame at bottom (**Fig. F**) using 3" screws.

Repeat process to secure the left sidewall.



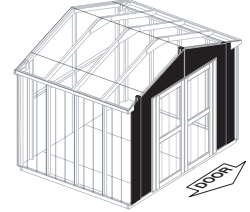
FRONT WALL INSTALLATION



✓ **BEGIN**

Stand frontwall on floor. 

⚠ It is important to secure the frontwall in the following order.

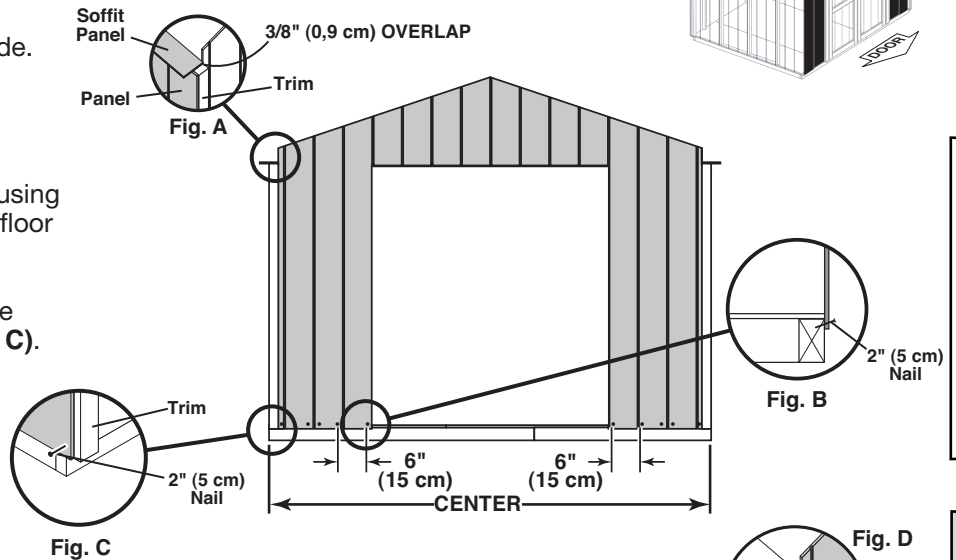


1 Center frontwall on floor side-to-side.

The sidewall soffit will overlap the frontwall 3/8" (**Fig. A**).

Nail the frontwall flush to the floor using 2" nails 6" apart. Angle nails to hit floor frame (**Fig. B**).

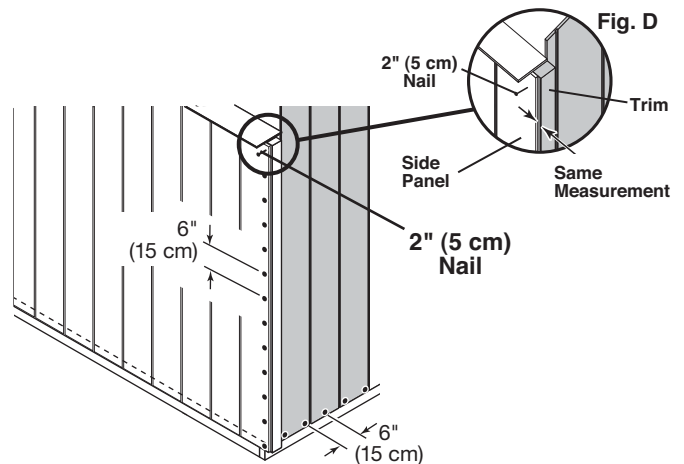
Nail the lower sidewall corner to the frontwall trim with one 2" nail (**Fig. C**).



GABLE 10' x 8'

2 Be sure the measurement between the panel edge and the trim is the same along the entire length. Then secure with one 2" nail in the upper corner (**Fig. D**).

Nail along the panel edge into the trim using 2" nails spaced 6" apart.

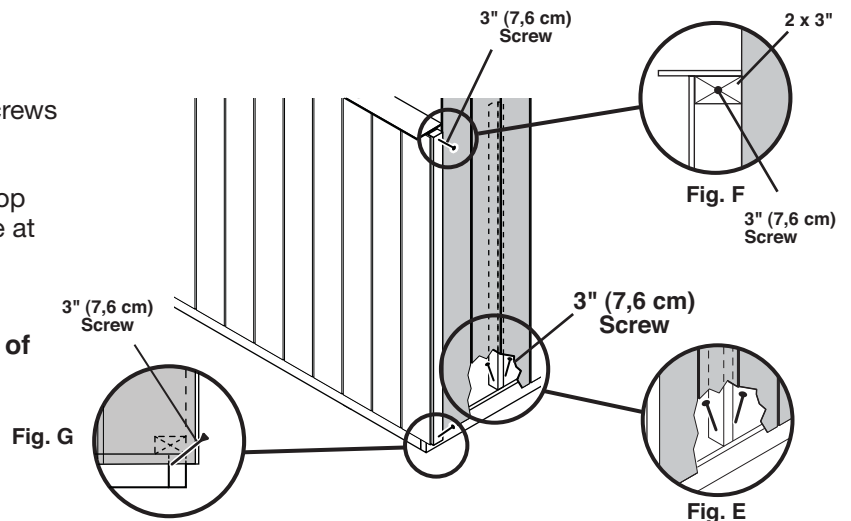


GABLE 10' x 12'

3 Secure the frontwall frame using two 3" screws (**Fig. E**).

Screw through the backwall trim into the top plate (**Fig. F**), and angled to hit floor frame at bottom (**Fig. G**) using 3" screws.

Repeat process to secure the right side of the frontwall.

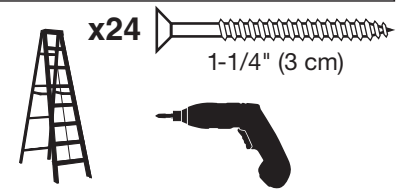


GABLE 10' x 16'

GABLE TRIM

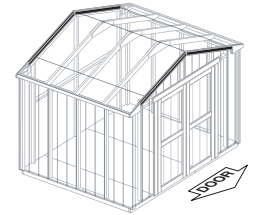
PARTS REQUIRED:

x4 **CD**
2 x 3 x 54-5/16" (5 x 7,6 x 138 cm)



✓ **BEGIN**

1 Position one **CD** flush to front panel edge and center on right edge of groove (**Fig. A**). Attach trim with eight 1-1/4" screws from inside. Install two screws at seam (**Fig. B**).



2 Position second **CD** flush to panel edge and flush to **CD** already attached (**Fig. A**). Attach trim with eight 1-1/4" screws from inside. Install two screws at seam (**Fig. B**).

3 Repeat steps 1-2 to attach the back trim.

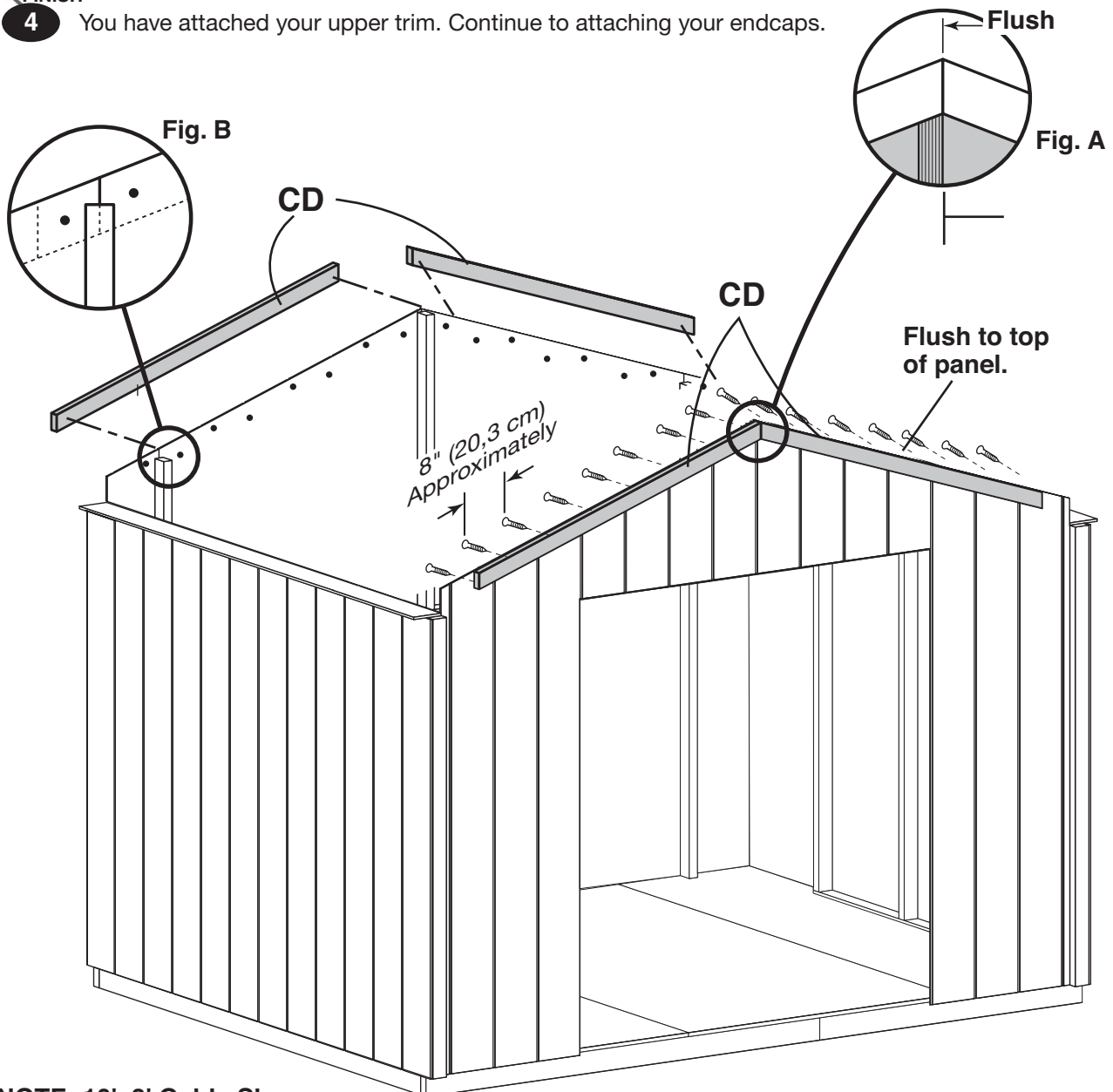
FINISH

4 You have attached your upper trim. Continue to attaching your endcaps.

GABLE 10' x 8'

GABLE 10' x 12'


GABLE 10' x 16'



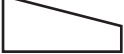
NOTE: 10'x8' Gable Shown

TRIM / ENDCAPS

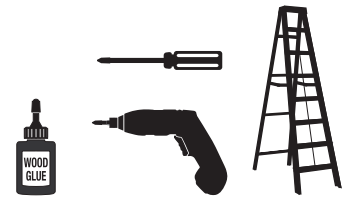
PARTS REQUIRED:

x4  **GAA**
3/4 x 3-1/2 x 5" (1,9 x 9 x 12,7 cm)

x4  **GBZ**
3/4 x 3-1/2 x 8-1/2" (1,9 x 9 x 21,6 cm)

x4  **RIGHT PAINTED RED**
3/4 x 6-1/4 x 11-7/8" (1,9 x 15,8 x 30 cm) **LEFT PAINTED GREEN**

x32  1-1/4" (3,2 cm)



✓ BEGIN

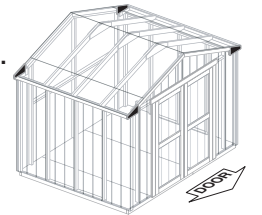
1 Glue 5" and 8-1/2" boards onto endcaps, and fasten with 1-1/4" screws, as shown.

2 Repeat steps to build two more endcaps.

3 Locate endcaps flush with upper trim and corner trim and attach each endcap from inside of shed using four 1-1/4" screws as shown (**Fig. A**).



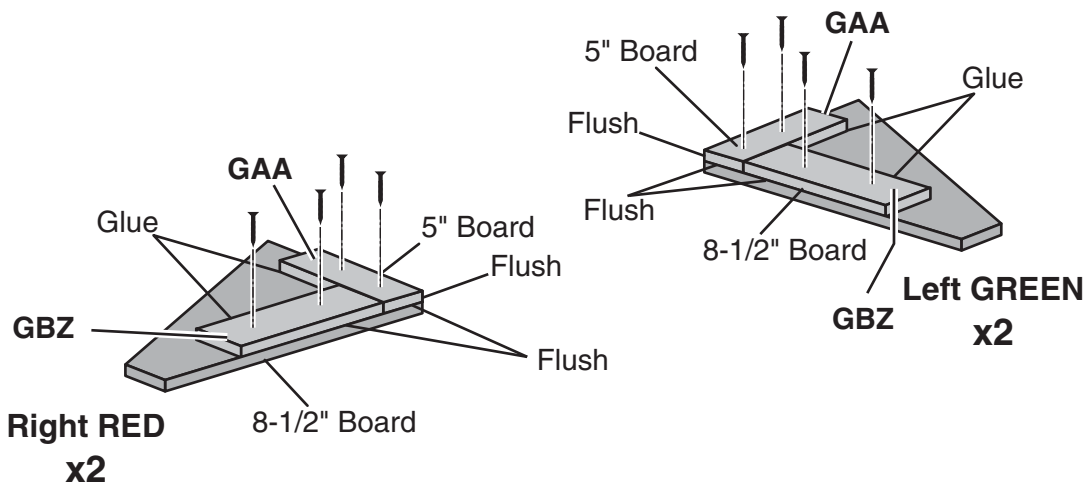
4 You have attached your endcaps.



GABLE 10' x 8'

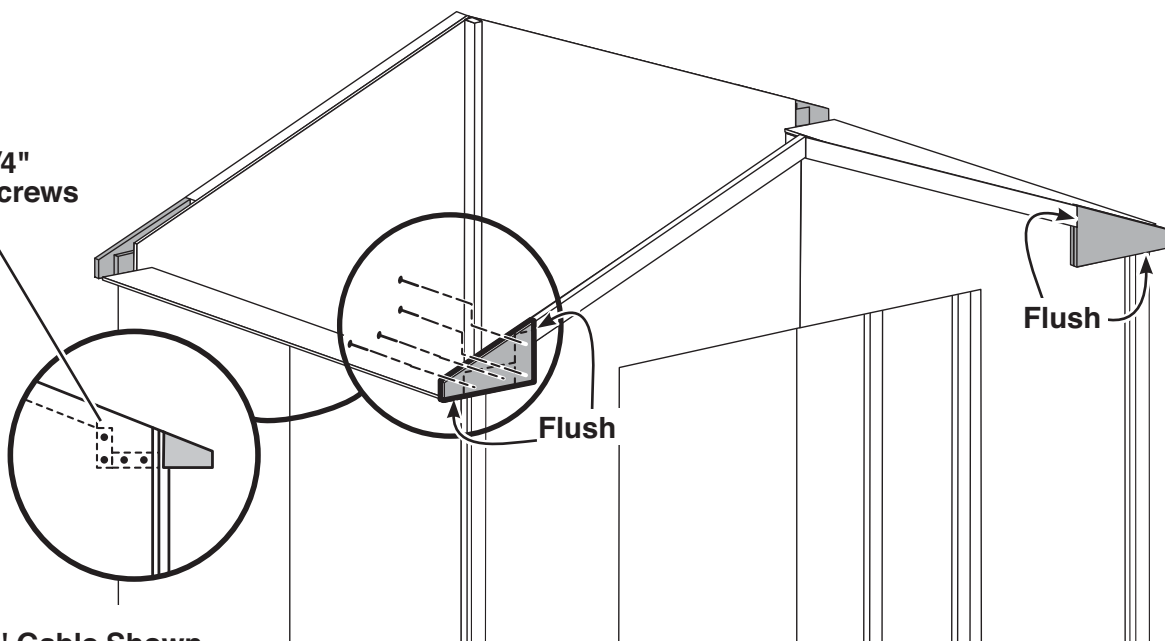
GABLE 10' x 12'

GABLE 10' x 16'



(4) 1-1/4" (3,2 cm) Screws


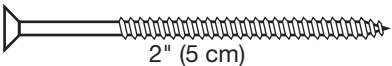
Fig. A

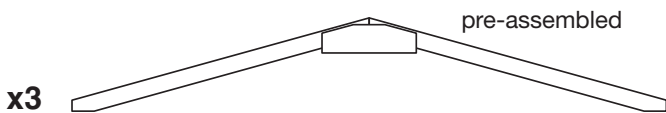


NOTE: 10'x8' Gable Shown

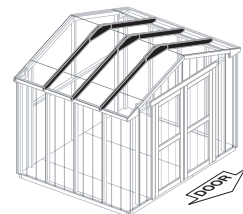
RAFTER INSTALL 10' x 8'

PARTS REQUIRED:

- x12  3" (7,6 cm)
- x6  2" (5 cm)



• FOR 10' x 12', SKIP TO PAGE 45.
 • FOR 10' x 16', SKIP TO PAGE 46.



GABLE 10' x 8'

✓ BEGIN

1 Locate rafters directly over studs and flush to overhang in wall frame (**Fig. A**). Check that you have the measurements shown. Screw through soffit panel into rafters using one 2" screw (**Fig. A**).

2 Attach with two 3" screws at each end (**Fig. B**). Re-tighten 2" screws if necessary.

3 Repeat steps to attach (3) rafters.

FINISH

4 You have attached your rafters. Go to page 47.



Fig. B

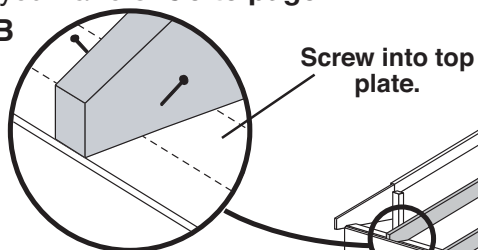
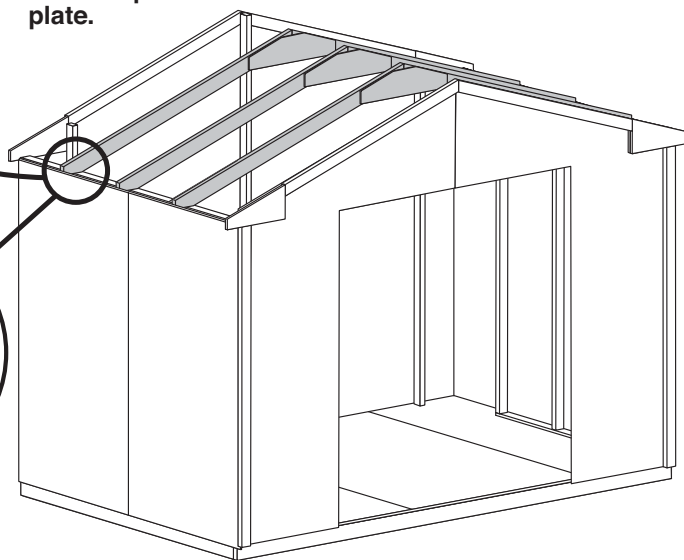
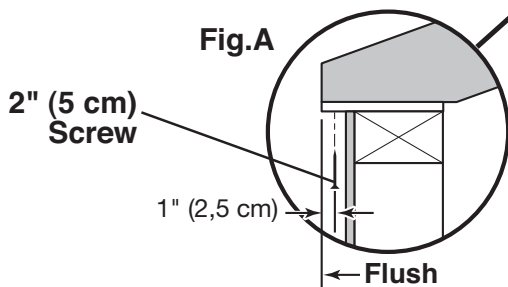
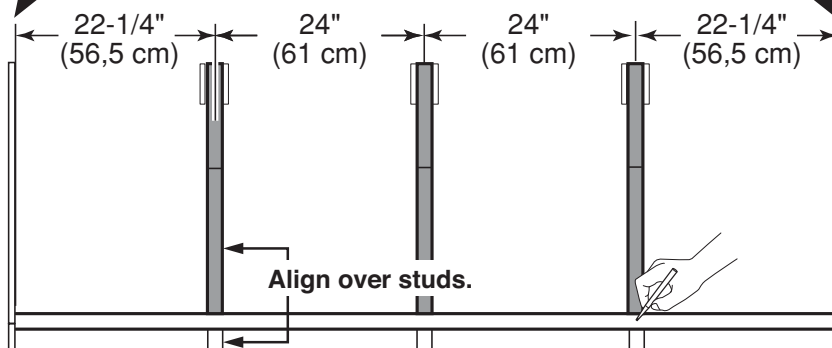


Fig. A



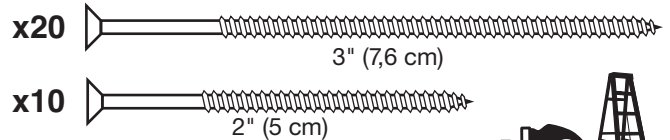
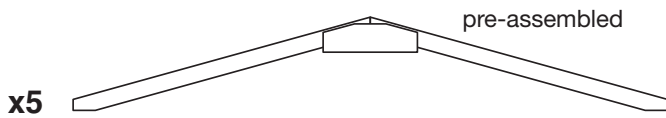
NOTE: Measurements from inside of panels



Maintain the measurements between rafters.

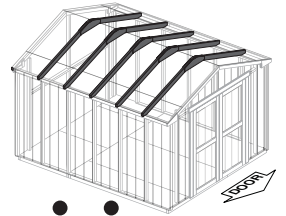
RAFTER INSTALL 10' x 12'

PARTS REQUIRED:



✓ BEGIN

- 1 Locate rafters directly over studs and flush to overhang in wall frame (**Fig. A**). Check that you have the measurements shown. Screw through soffit panel into rafters using one 2" screw (**Fig. A**).
- 2 Attach with two 3" screws at each end (**Fig. B**). Re-tighten 2" screws if necessary.
- 3 Repeat steps to attach (5) rafters.



FINISH

- 4 You have attached your rafters. Go to page 48.

Fig. B

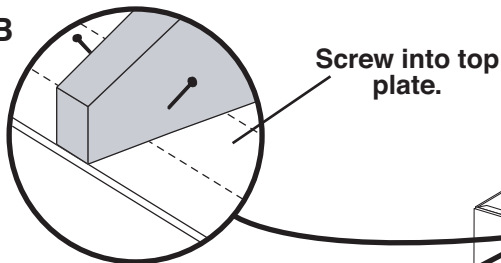
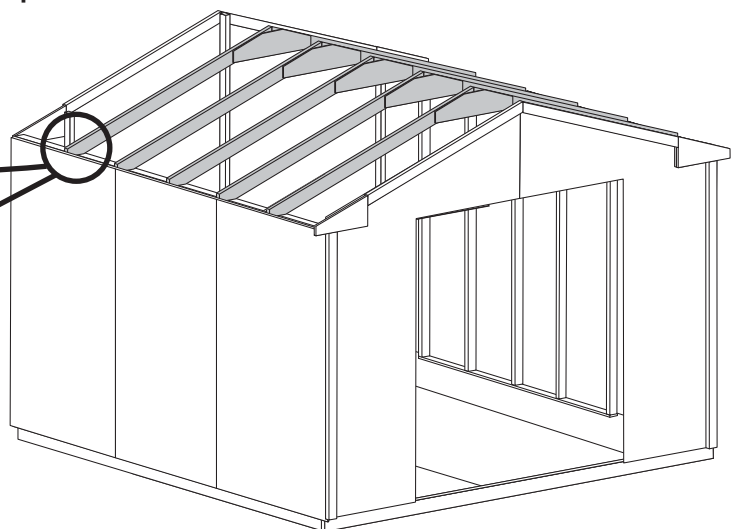
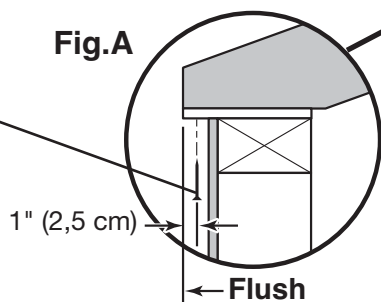


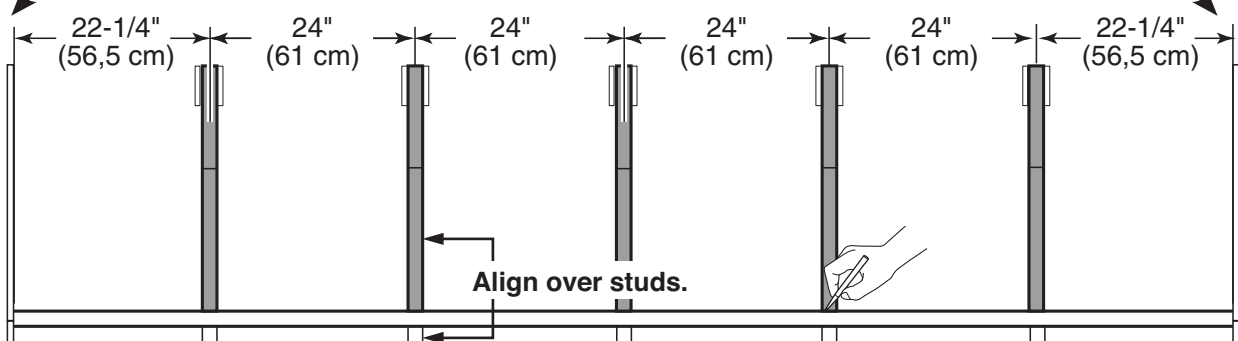
Fig. A

2" (5 cm) Screw



GABLE 10' x 12'

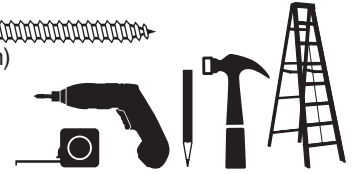
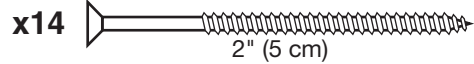
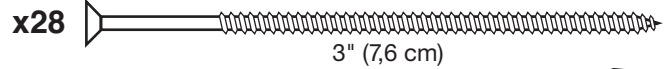
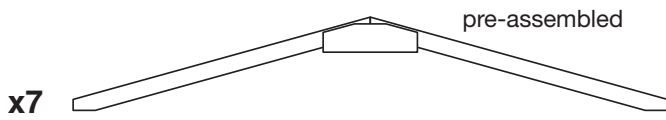
NOTE: Measurements from inside of panels



Maintain the measurements between rafters.

RAFTER INSTALL 10' x 16'

PARTS REQUIRED:



✓ BEGIN

1 Locate rafters directly over studs and flush to overhang in wall frame (**Fig. A**). Check that you have the measurements shown. Screw through soffit panel into rafters using one 2" screw (**Fig. A**).

2 Attach with two 3" screws at each end (**Fig. B**). Re-tighten 2" screws if necessary.

3 Repeat steps to attach (5) rafters.

FINISH

4 You have attached your rafters. Go to page 49.

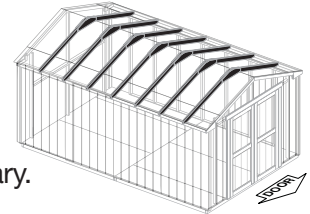


Fig. B

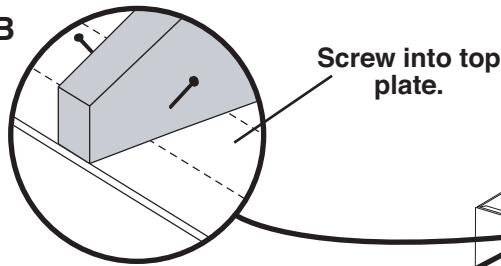
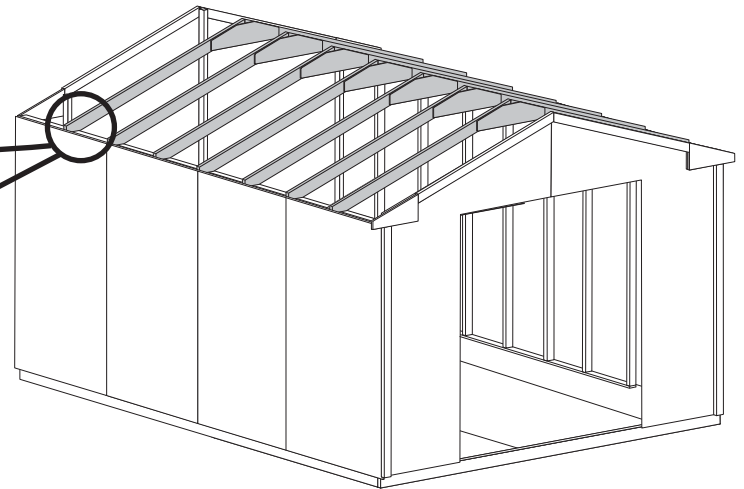
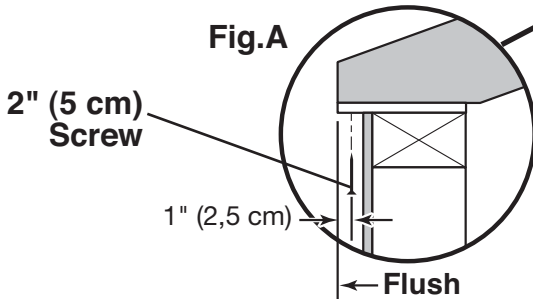
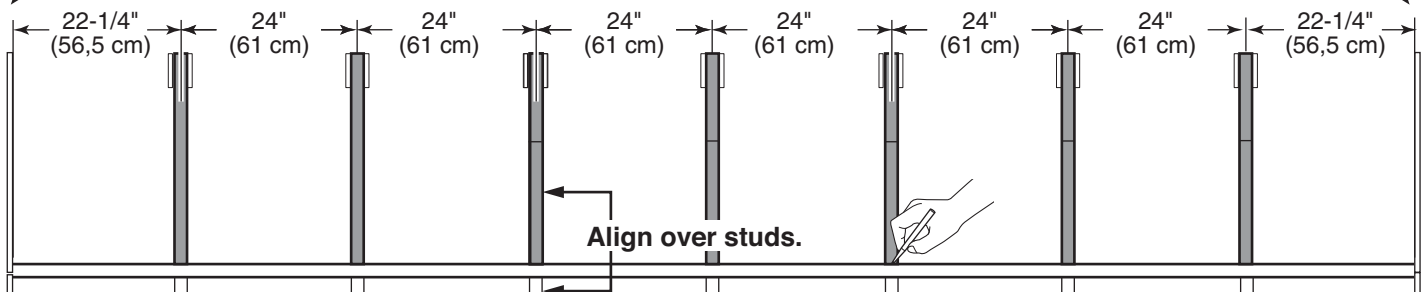


Fig. A



NOTE: Measurements from inside of panels

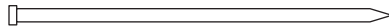


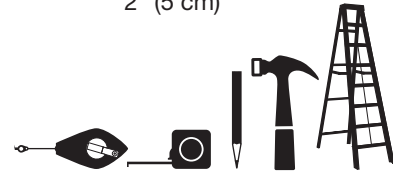
Maintain the measurements between rafters.

TRIM 10' x 8"

PARTS REQUIRED:

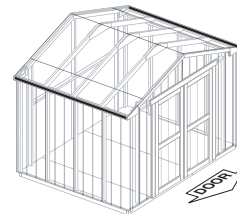
x2 **HS**
1 x 3 x 94-3/4" (2,5 x 7,6 x 240,6 cm)

x20 
2" (5 cm)



• FOR 10' x 12', SKIP TO PAGE 48.

• FOR 10' x 16', SKIP TO PAGE 49.



✓ **BEGIN**

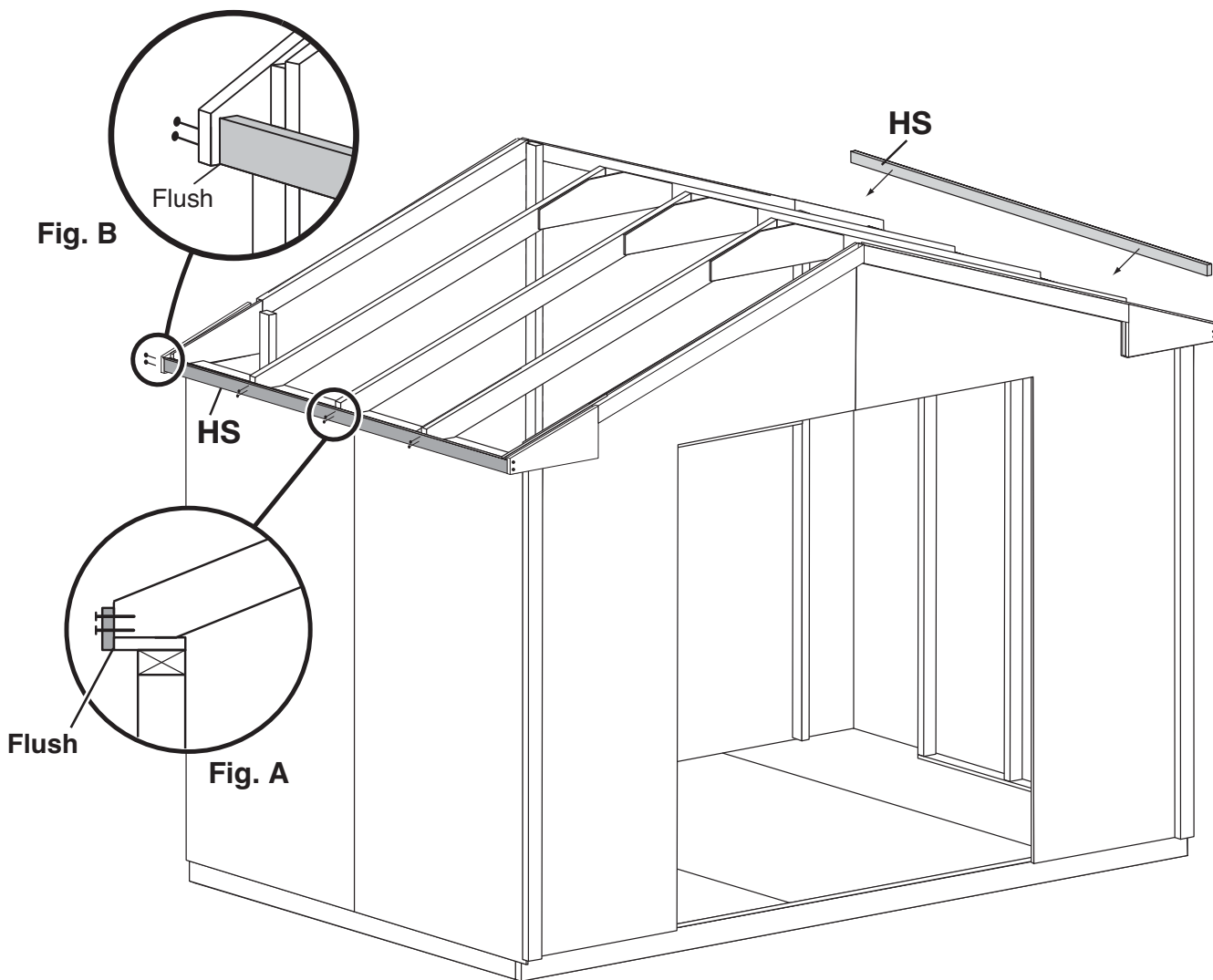
1 Attach fascia trim flush to bottom of soffit (**Fig. A**) and endcaps at ends of rafters (**Fig. B**) using 2" (5 cm) nails as shown.

2 Repeat steps to attach fascia trim on both sides.

◆ **FINISH**

3 You have attached your fascia trim. **Go to page 50.**

GABLE 10' x 8'

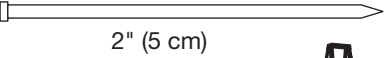


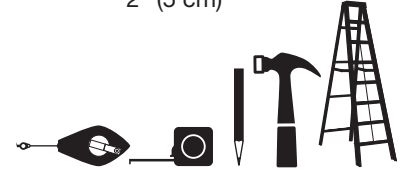
TRIM 10' x 12'

PARTS REQUIRED:

x2 **HS**
1 x 3 x 94-3/4" (2,5 x 7,6 x 240,6 cm)

x2 **FO**
1 x 3 x 48" (2,5 x 7,6 x 122 cm)

x33  2" (5 cm)



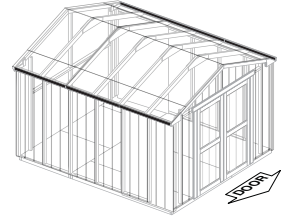
✓ BEGIN

1 Attach fascia trim flush to bottom of soffit (**Fig. A**) and endcaps (**Fig. B**) using 2" (5 cm) nails as shown. Nail trim to end of rafters and toe-nail trim together (**Fig. C**) using (1) 2" (5 cm) nail as shown.

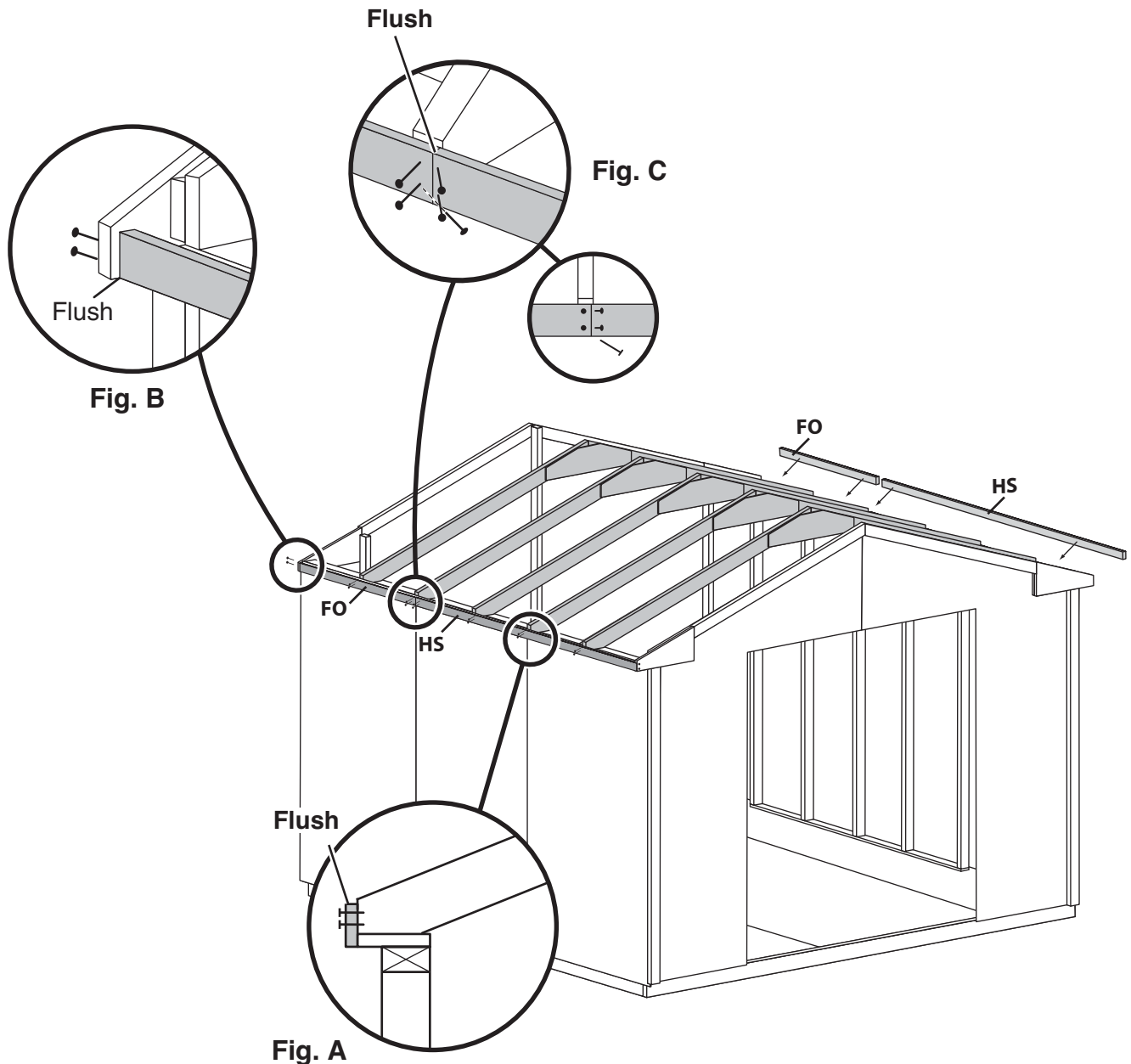
2 Repeat steps to attach fascia trim on both sides.

FINISH

3 You have attached your fascia trim. **Go to page 52.**



GABLE 10' x 12'

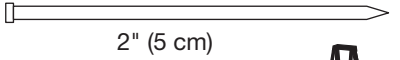


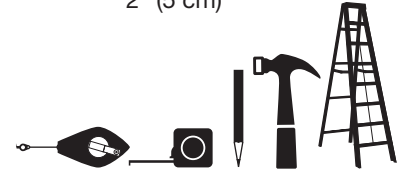
TRIM 10' x 16'

PARTS REQUIRED:

x2 **HS**
1 x 3 x 94-3/4" (2,5 x 7,6 x 240,6 cm)

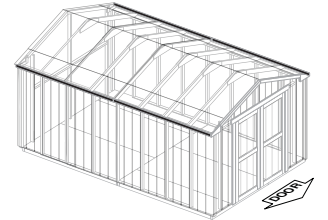
x4 **FO**
1 x 3 x 48" (2,5 x 7,6 x 122 cm)

x46  2" (5 cm)



✓ BEGIN

1 Attach fascia trim flush to bottom of soffit (**Fig. A**) and endcaps (**Fig. B**) using 2" (5 cm) nails as shown. Nail trim to end of rafters and toe-nail trim together (**Fig. C**) using (1) 2" (5 cm) nail as shown.

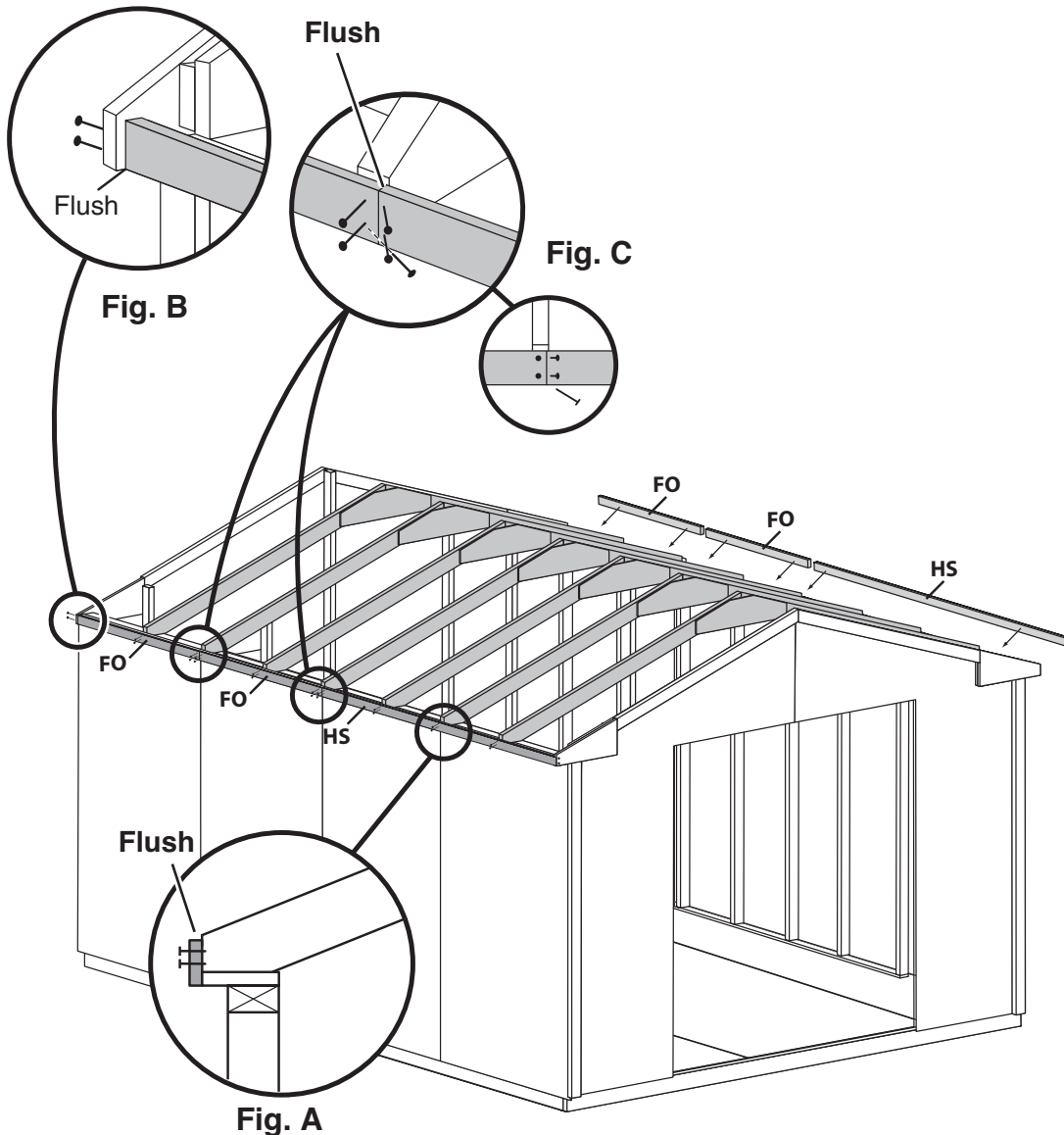


2 Repeat steps to attach fascia trim on both sides.



FINISH

3 You have attached your fascia trim. **Go to page 54.**

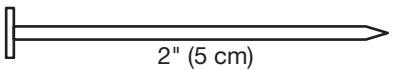


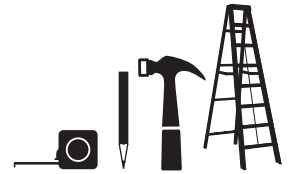
GABLE 10' x 16'

ROOF PANELS 10' x 8'

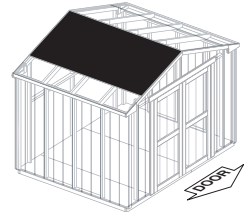
PARTS REQUIRED:

x2  7/16 x 48 x 96"
(1,1 x 122 x 244 cm)

x 4  2" (5 cm)



- FOR 10' x 12', SKIP TO PAGE 52.
- FOR 10' x 16', SKIP TO PAGE 54.



 Roof panels may cause serious injury until securely fastened.



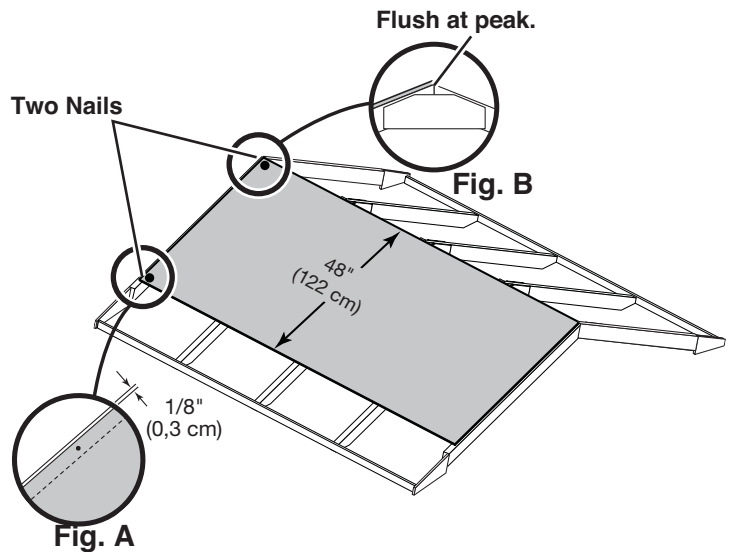
You must square the roof by attaching one panel first. You will use the panel's long edge as a lever to bring your roof into square. Commonly known as "racking".

GABLE 10' x 8'

✓ BEGIN

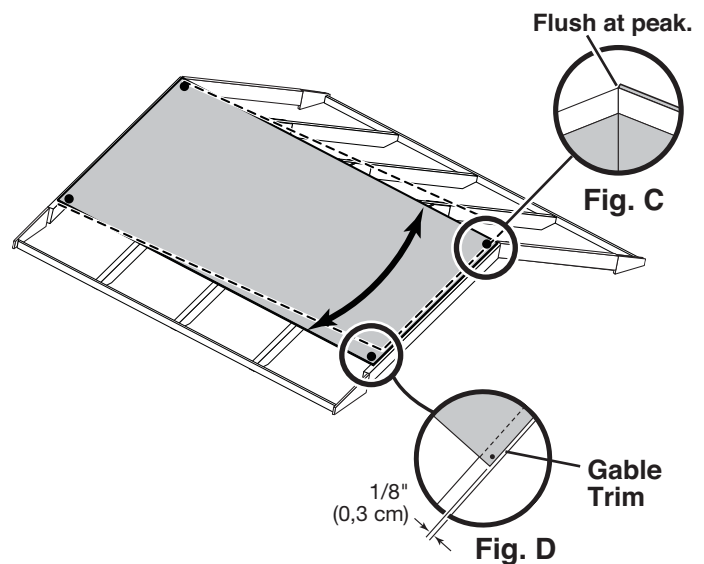
- 1 Attach the 48 x 96" panel with the rough side up (painted-grid lines side) with a 1/8" measurement on the rafter (Fig A) and the panel flush at the peak (Fig. B).

Secure panel with two 2" nails in the corners.



- 2 Move to the opposite end. Using the long edge of the panel as a lever move the panel side-to-side until the top corner is flush to the peak (Fig. C) and there is a 1/8" (0,3 cm) measurement to the gable trim (Fig. D).

You may need to move your backwall to get the 1/8" measurement. Secure panel with two 2" nails in the corners.



ROOF PANELS 10' x 8'

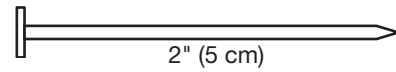
PARTS REQUIRED:

x2

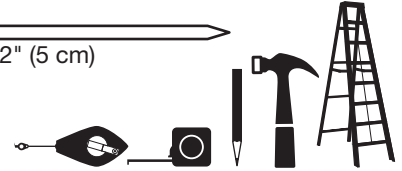


7/16 x 19 x 96"
(1,1 x 48 x 244 cm)

x90



2" (5 cm)



- Keep spacing between the center of the rafters at the lower edge of the panel and secure with one 2" nail into each rafter (**Fig. E**).

Move to the top of the panel and keep spacing between the center of the rafters. Secure with one 2" nail into each rafter (**Fig. E**).

Nail the roof panel using 2" nails 6" apart on edges and 12" apart inside panel (**Fig. F**).

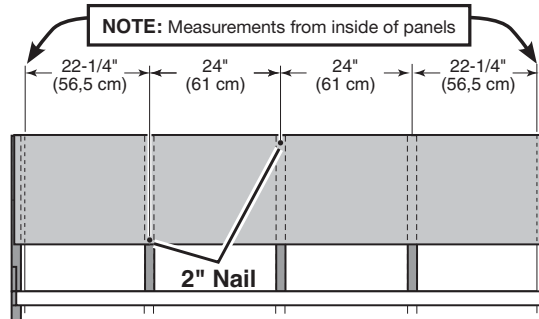
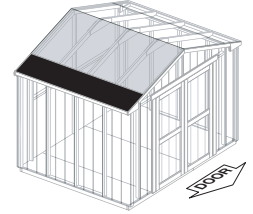


Fig. E

- Attach the lower roof panels flush to the upper panels and with a 1/8" (0,3 cm) measurement at the gable trim (**Fig. G**).

Nail the roof panel using 2" nails 6" apart on edges and 12" apart inside panel.

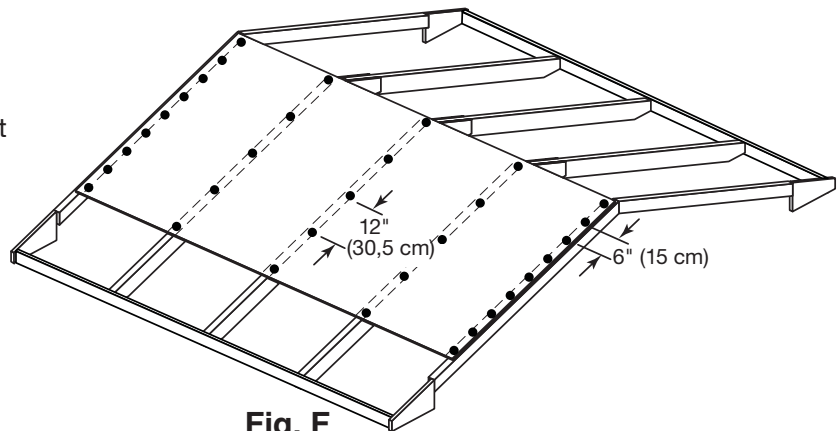


Fig. F

- Repeat process to attach roof panels on the opposite side.



FINISH

- You have attached your roof panels.

Go to page 56.

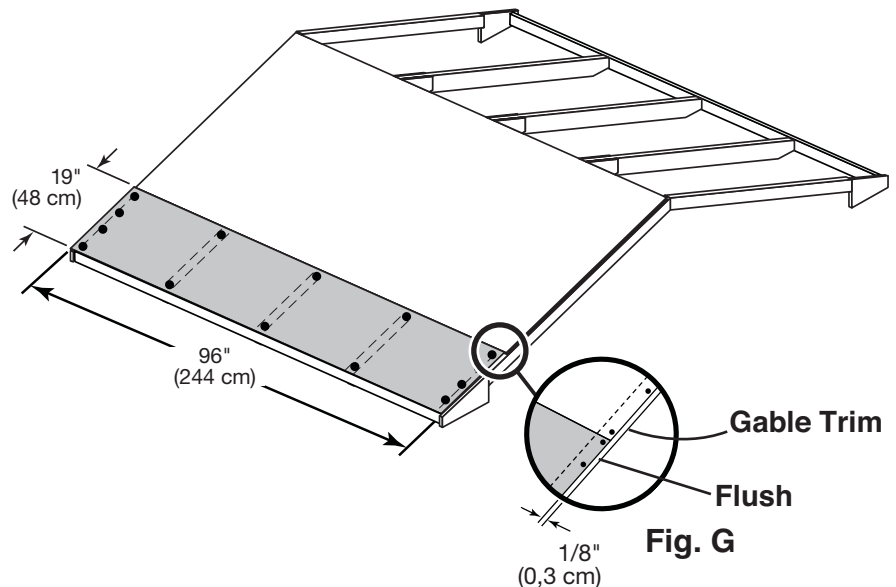
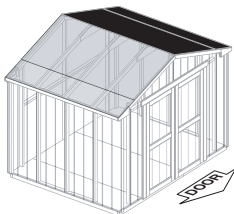
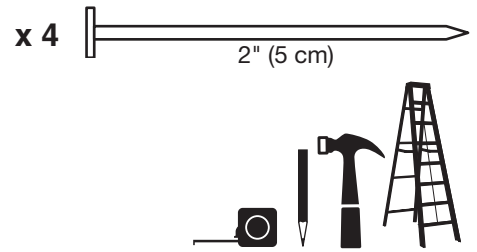


Fig. G

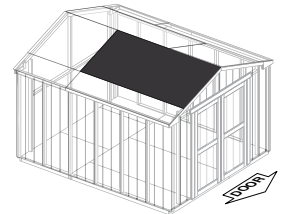
GABLE 10' x 8'

ROOF PANELS 10' x 12'

PARTS REQUIRED:



! Roof panels may cause serious injury until securely fastened.

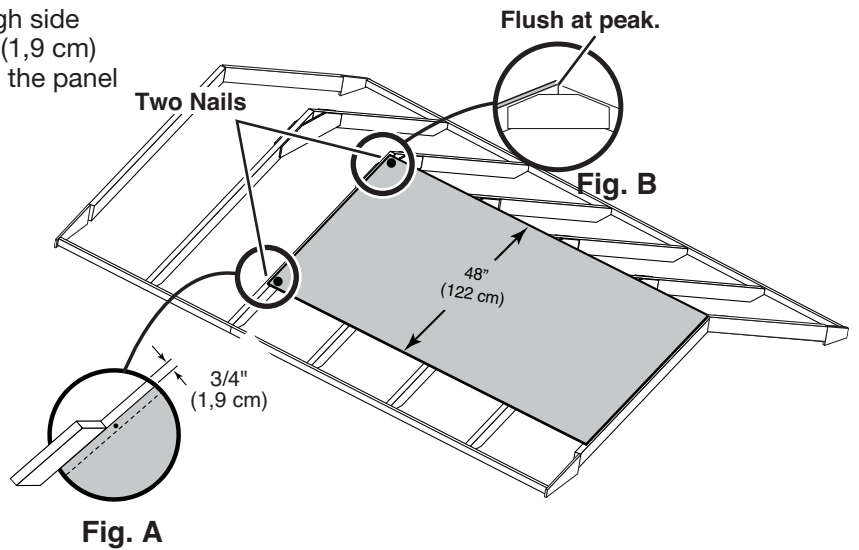


You must square the roof by attaching one panel first. You will use the panels' long edge as a lever to bring your roof into square. Commonly known as "racking".

✓ BEGIN

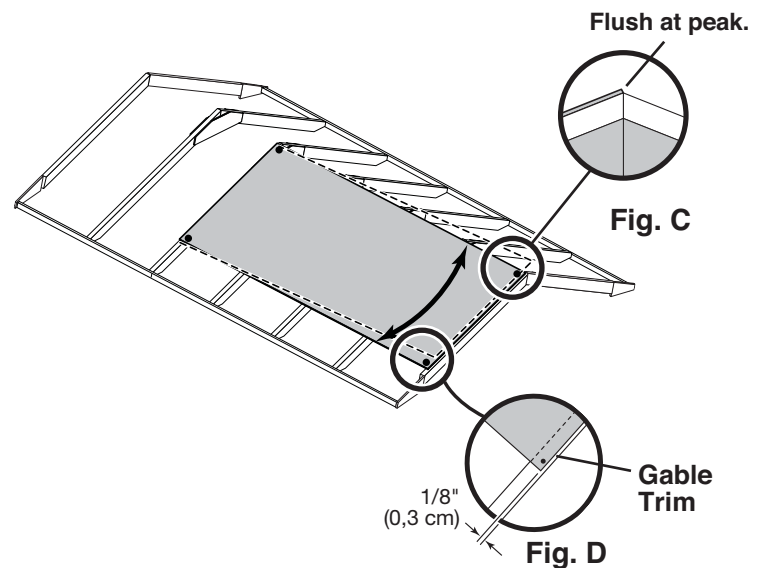
- 1 Attach the 48 x 96" panel with the rough side up (painted-grid lines side) with a 3/4" (1,9 cm) measurement on the rafter (Fig A) and the panel flush at the peak (Fig. B).

Secure panel with two 2" nails in the corners.



- 2 Move to the opposite end. Using the long edge of the panel as a lever move the panel side-to-side until the top corner is flush to the peak (Fig. C) and there is a 1/8" (0,3 cm) measurement to the gable trim (Fig. D).

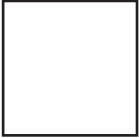
You may need to move your backwall to get the 1/8" measurement. Secure panel with two 2" nails in the corners.

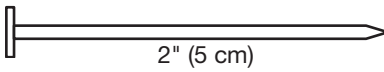


GABLE 10' x 12'


ROOF PANELS 10' x 12'

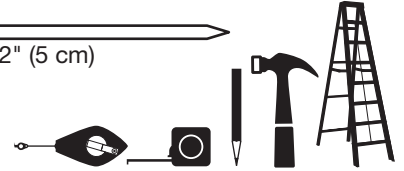
PARTS REQUIRED:

x2  47-7/8" x 48" (121,6 x 122 cm)

x152  2" (5 cm)

x2  7/16 x 19 x 96" (1,1 x 48 x 244 cm)

x2  19" x 48" (48 x 122 cm)



3 Keep spacing between the center of the rafters at the lower edge of the panel and secure with one 2" nail into each rafter (**Fig. E**).

Move to the top of the panel and keep spacing between the center of the rafters. Secure with one 2" nail into each rafter (**Fig. E**).

Nail the roof panel using 2" nails 6" apart on edges and 12" apart inside panel (**Fig. F**).

Attach 47-7/8" x 48" roof panel flush to the peak. (**Fig. G**) and with a 1/8" (0,3 cm) measurement at the gable trim (**Fig. H**).

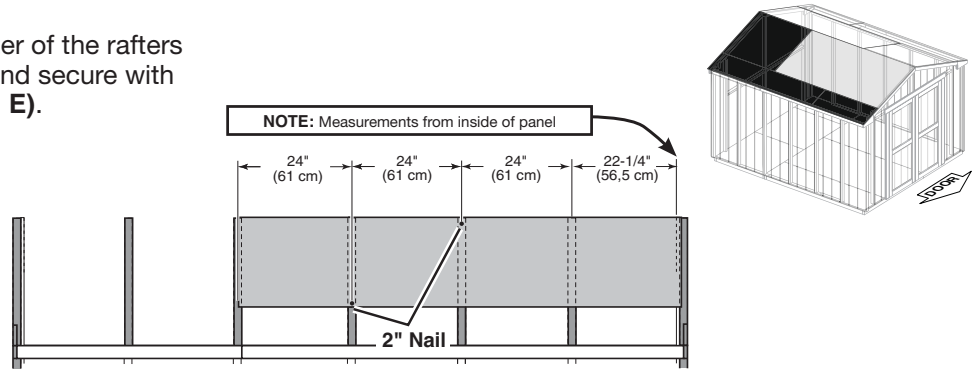


Fig. E

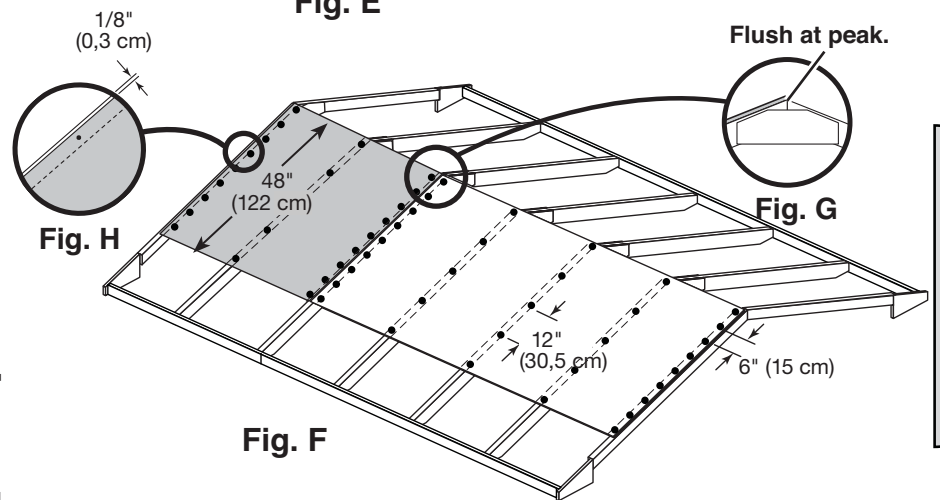


Fig. F

4 Attach lower 19" x 48" roof panel flush to the top panel and with a 1/8" (0,3 cm) measurement at the gable trim (**Fig. I**).

Attach next lower 19"x96" roof panel flush to top panel

Nail the roof panels using 2" nails 6" apart on edges and 12" apart inside panel.

Repeat process to attach roof panels on the opposite side.

Go to page 56.

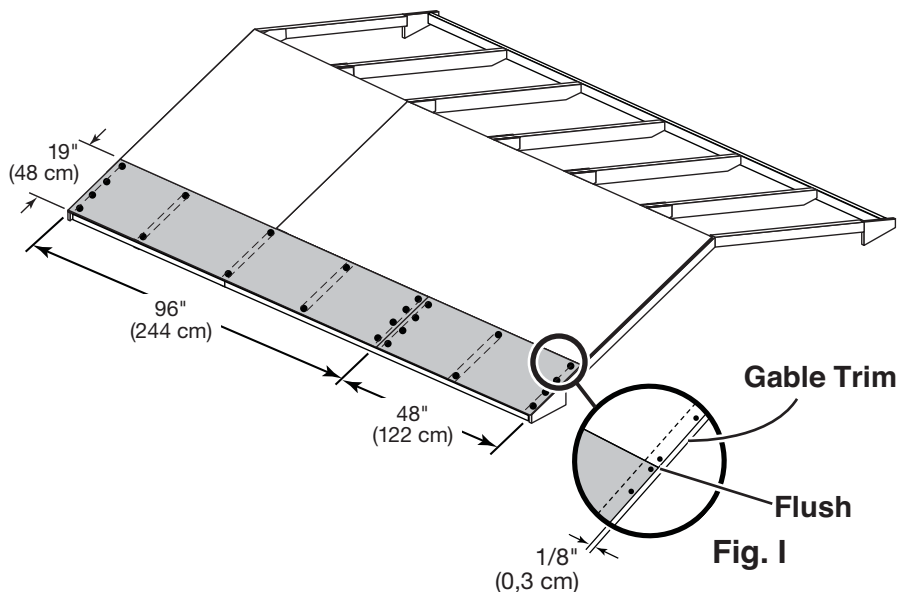
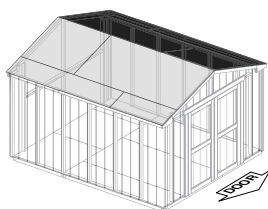
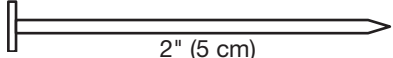


Fig. I

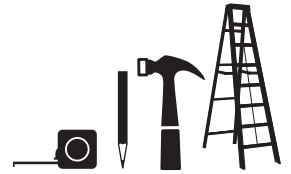
ROOF PANELS 10' x 16'

PARTS REQUIRED:

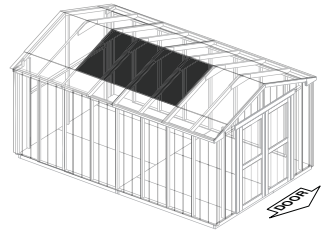
x2  7/16 x 48 x 96"
(1,1 x 122 x 244 cm)

x 4  2" (5 cm)

GAA
3/4"
GAUGE BLOCK



 Roof panels may cause serious injury until securely fastened.

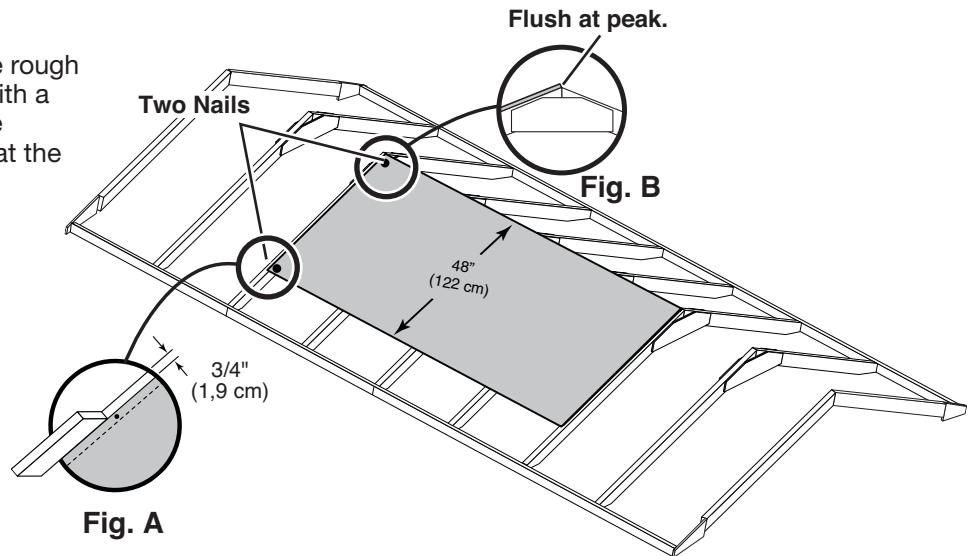


You must square the roof by attaching one panel first. You will use the panels' long edge as a lever to bring your roof into square. Commonly known as "racking".

✓ BEGIN

- 1 Attach the 48 x 96" panel with the rough side up (painted-grid lines side) with a 3/4" (1,9 cm) measurement on the rafter (Fig A) and the panel flush at the peak (Fig B).

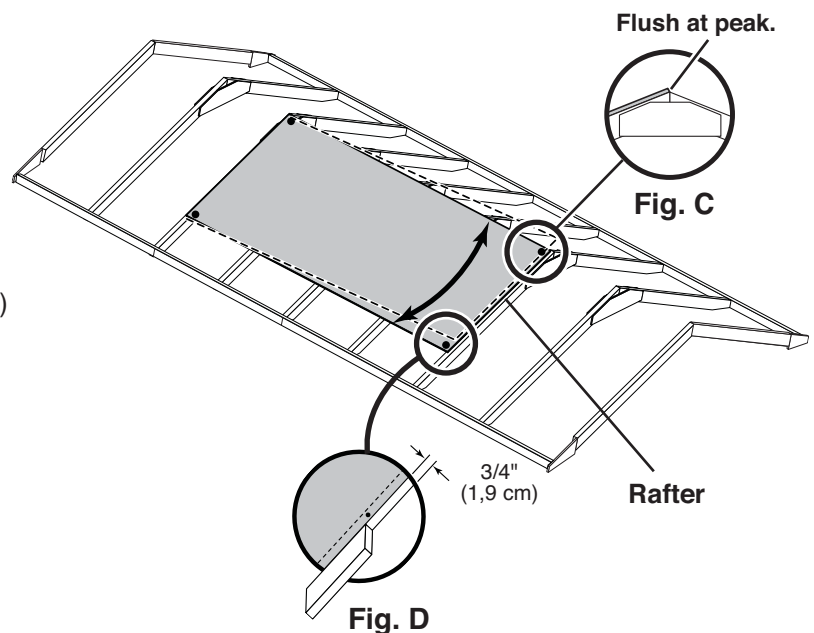
Secure panel with two 2" nails in the corners.



GABLE 10' x 16'

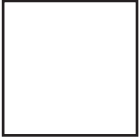
- 2 Move to the opposite end. Using the long edge of the panel as a lever move the panel side-to-side until the top corner is flush to the peak (Fig. C) and there is a 3/4" (1,9 cm) measurement on the rafter (Fig. D).

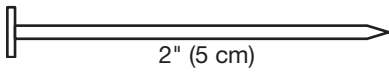
You may need to move your rafter to get the 3/4" measurement. Secure panel with two 2" nails in the corners.



ROOF PANELS 10' x 16'

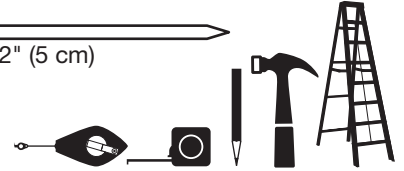
PARTS REQUIRED:

x4  47-7/8" x 48" (121,6 x 122 cm)

x90  2" (5 cm)

x2  7/16 x 19 x 96" (1,1 x 48 x 244 cm)

x4  19" x 48" (48 x 122 cm)



3 Keep spacing between the center of the rafters at the lower edge of the panel and secure with one 2" nail into each rafter (**Fig. E**).

Move to the top of the panel and keep spacing between the center of the rafters. Secure with one 2" nail into each rafter (**Fig. E**).

Nail the roof panel using 2" nails 6" apart on edges and 12" apart inside panel (**Fig. F**).

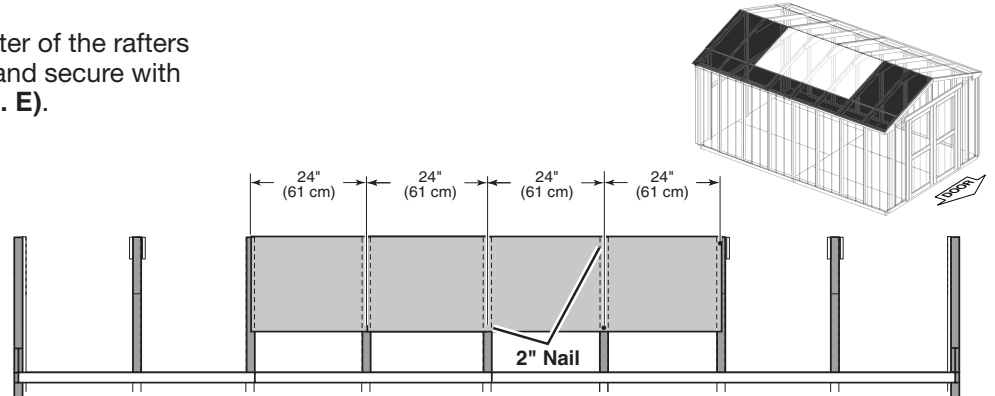


Fig. E

Attach 47-7/8" x 48" roof panels flush to the peak. (**Fig. G**) and with a 1/8" (0,3 cm) measurement at the gable trim (**Fig. H, I**).

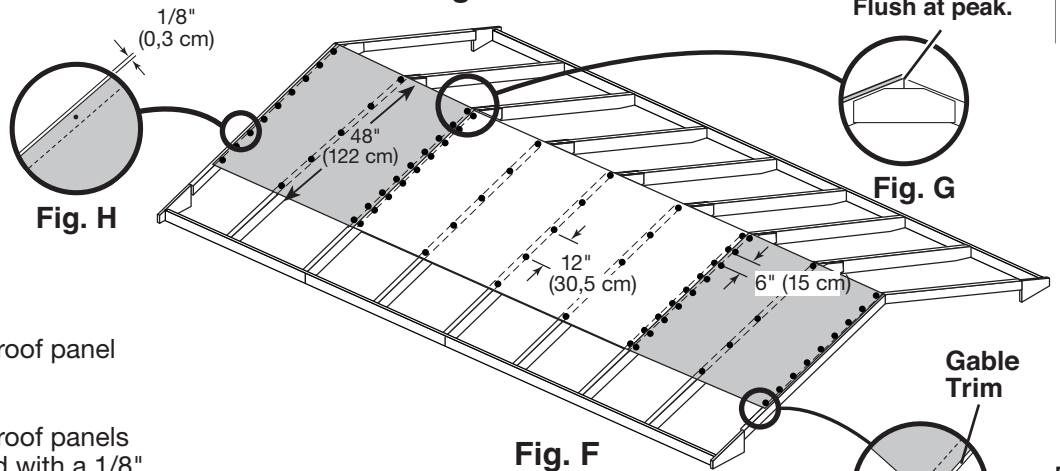


Fig. H

Fig. G

Fig. F

Gable Trim

Fig. I

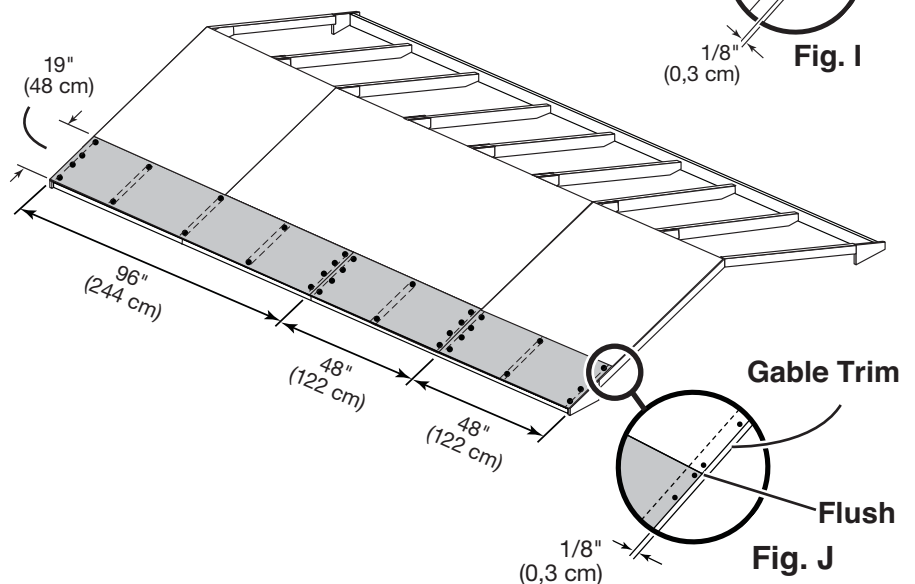
GABLE 10' x 16'

4 Attach the lower 19"x96" roof panel flush to top panel

Attach the lower 19"x48" roof panels flush to the top panels and with a 1/8" (0,3 cm) measurement at the gable trim (**Fig. J**).

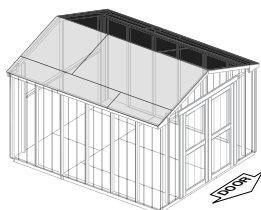
Nail the roof panels using 2" nails 6" apart on edges and 12" apart inside panel.

Repeat process to attach roof panels on the opposite side.



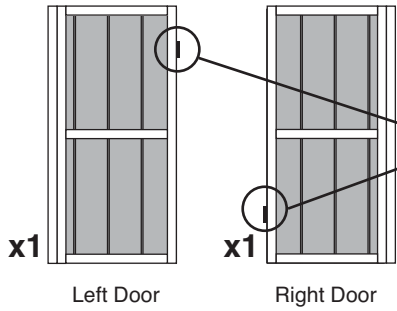
Gable Trim

Fig. J

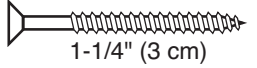


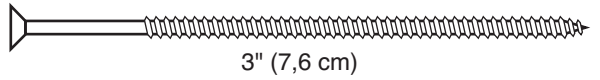
DOORS

PARTS REQUIRED:



x1 **OO**
2 x 3 x 69" (5 x 7,6 x 175,3 cm)

x2 
1-1/4" (3 cm)

x4 
3" (7,6 cm)

HINT:
Look for 3/8" SPACER
attached to doors.

x1 **GAA**
1 x 3 x 5" (2,5 x 7,6 x 12,7 cm)

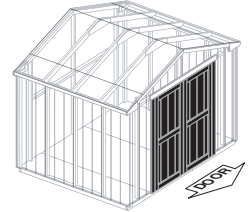


✓ **BEGIN**

1 Orient parts as shown on flat surface.  **3/8" offset is to top. Look for red (right) and green (left) on hinge board.**

2 Attach temporary support **OO** using 3" screws with 3/4" (1,9 cm) gap from right edges (**Fig. A**) and at ends. Tighten securely.

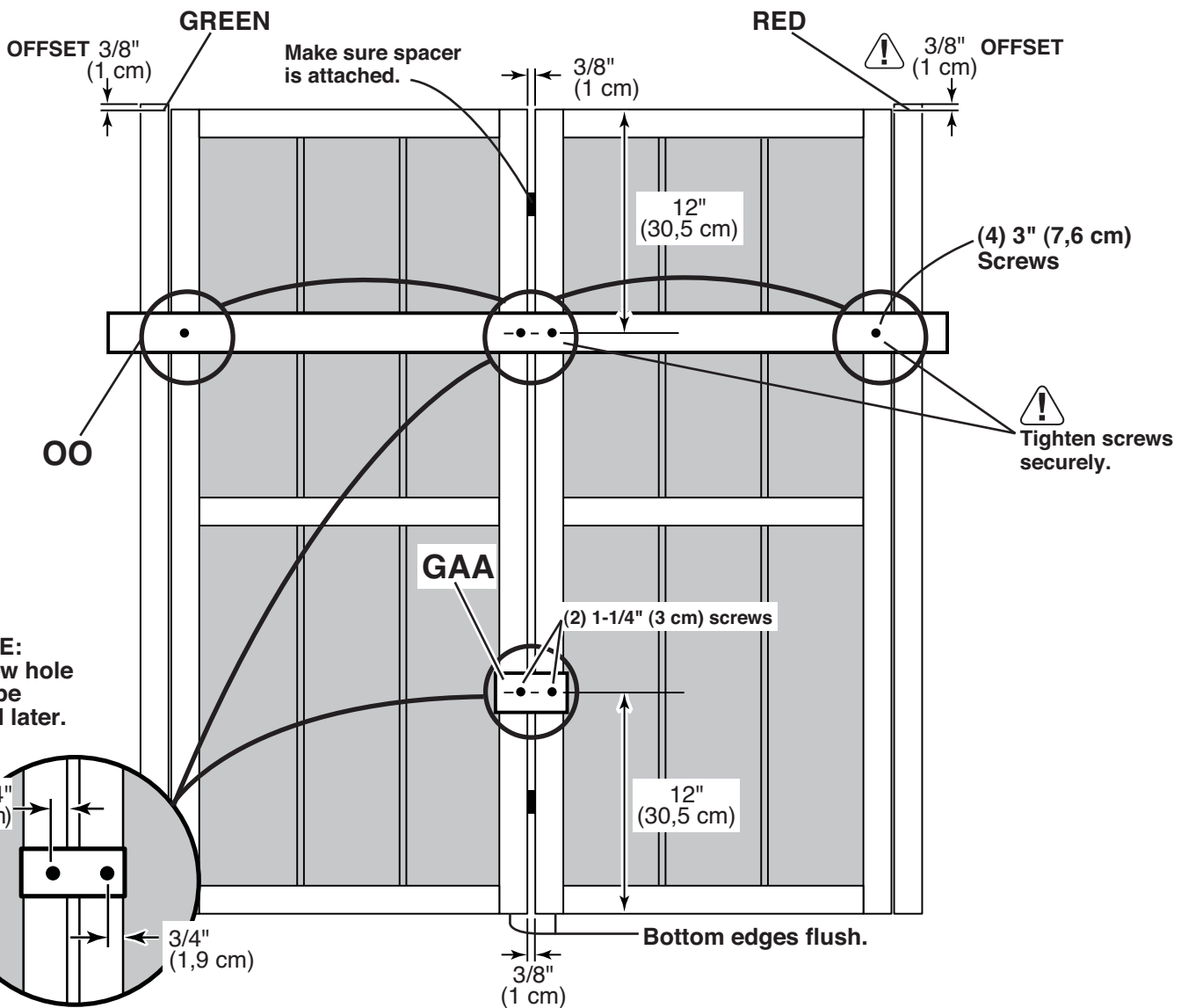
Attach temporary support **GAA** at bottom with 1-1/4" screws (**Fig. A**). Tighten securely.



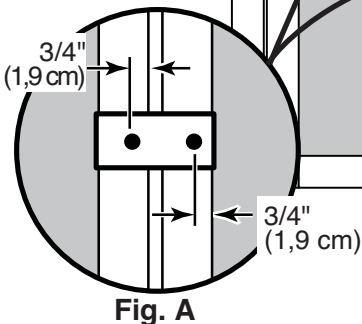
GABLE 10' x 8'

GABLE 10' x 12'

GABLE 10' x 16'





NOTE:
Screw hole
will be
used later.



DOORS

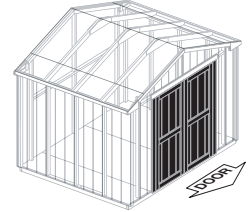
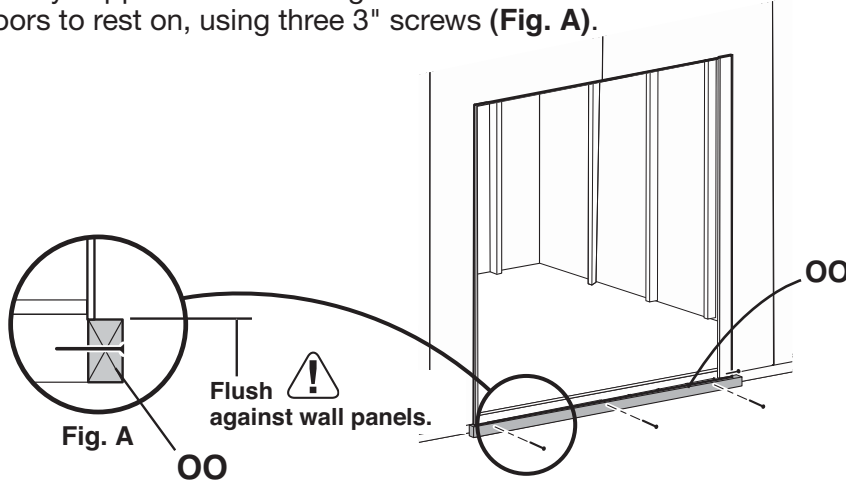
PARTS REQUIRED:


x1  **OO**
2 x 3 x 69" (5 x 7,6 x 175,3 cm)

x7  3" (7,6 cm)



- 3** Attach temporary support **OO** as a ledger board flush under wall panels for doors to rest on, using three 3" screws (**Fig. A**).



- 4** Center doors on right edge of groove as shown (**Fig. B**). 

 Check ledger board is still flush under panels.

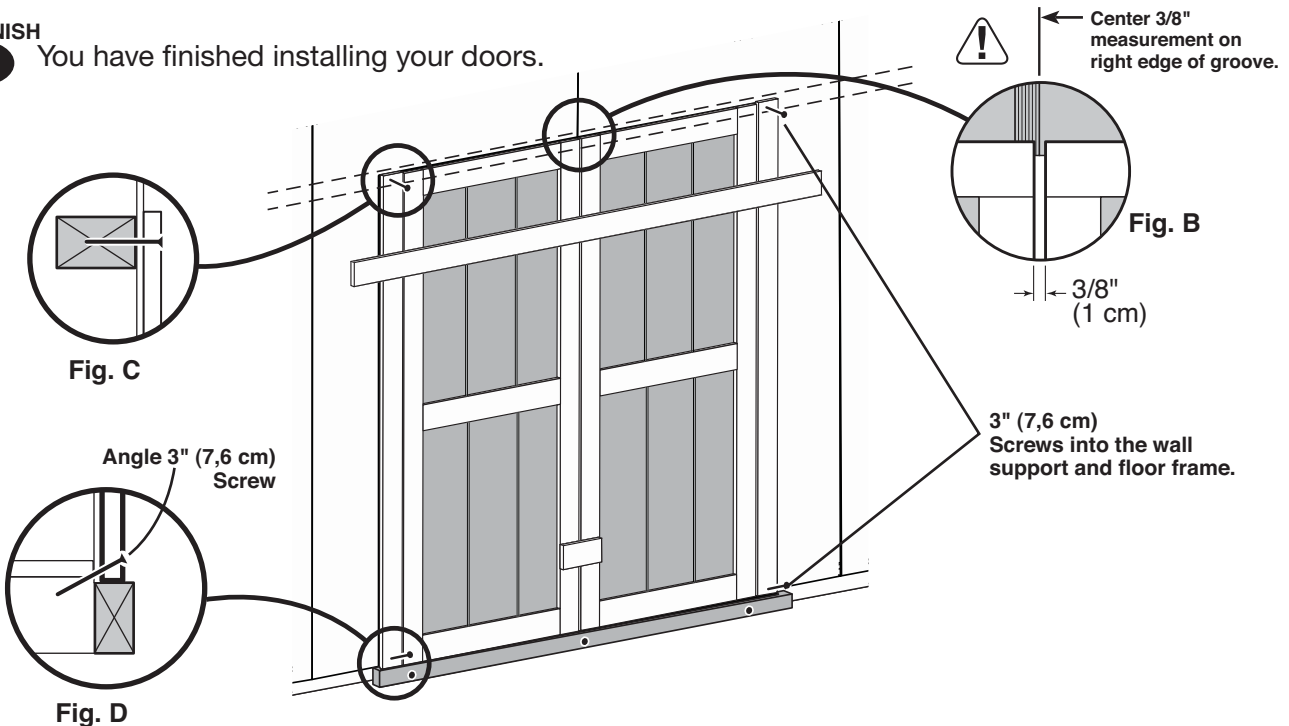
- 5** Screw hinge boards into wall supports and floor using four 3" screws as shown.

 Make sure screws go into framing and floor (**Fig. C, D**).

- 6** Remove temporary supports and check doors open properly.



- 7** You have finished installing your doors.



GABLE 10' x 8'

GABLE 10' x 12'

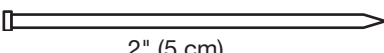

GABLE 10' x 16'

DOOR

PARTS REQUIRED:

x1 **ZJ**
5/8 x 3 x 72" (1,6 x 7,6 x 183 cm)

x1 **64" Metal Threshold**

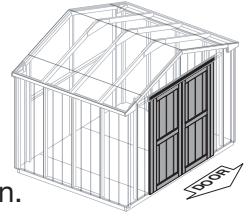
x8  2" (5 cm) x58  3/4" (19 mm)

x11  3/4" (19 mm)
Bagged separately/
special coating



✓ BEGIN

- 1 Secure hinge boards from inside using 3/4" screws as shown (Fig. A).
- 2 Reinforce the door trim using 3/4" screws through door panel into trim (Fig. A). Locate screws as shown in Fig. B. Use two screws at seams.
- 3 Center trim ZJ over doors and secure using eight 2" finish nails into framing as shown.
- 4 Center metal threshold between doors and secure using eleven 3/4" special coating screws into floor as shown (Fig. C).



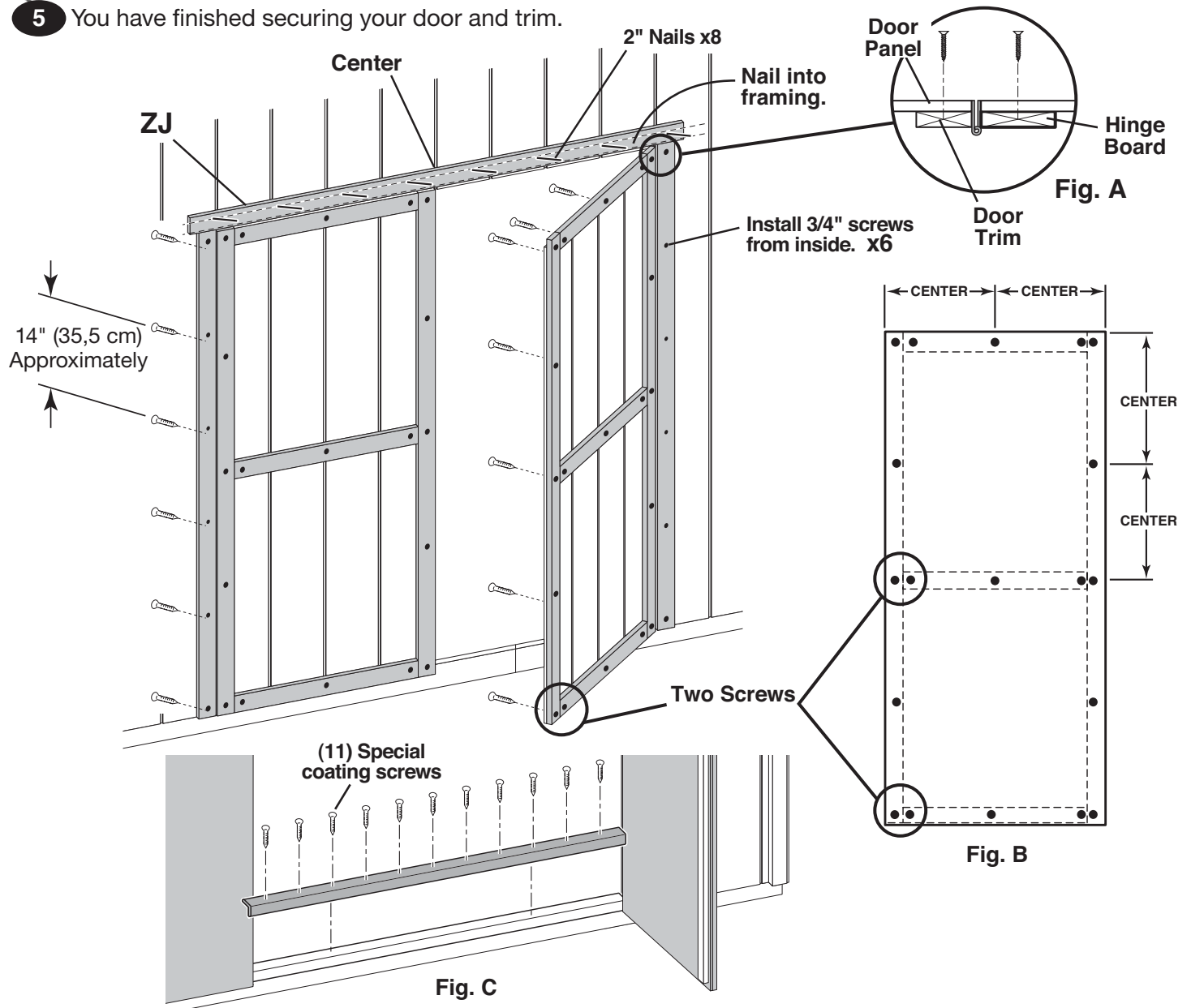
FINISH

- 5 You have finished securing your door and trim.

GABLE 10' x 8'


GABLE 10' x 12'

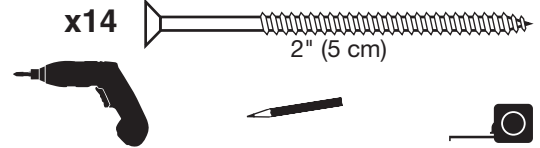
GABLE 10' x 16'



DOOR WEATHERSTRIP

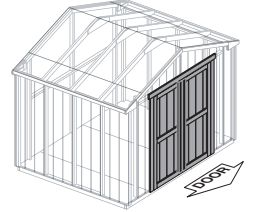
PARTS REQUIRED:

x2  **OO**
2 x 3 x 69" (5 x 7,6 x 175 cm)



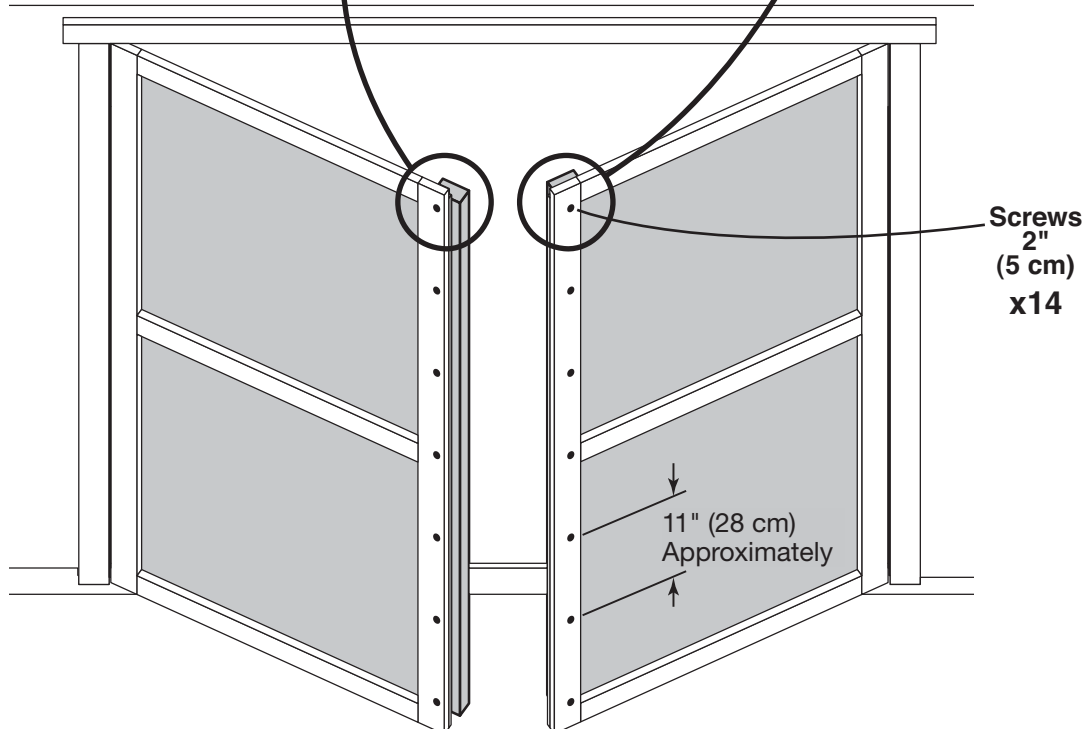
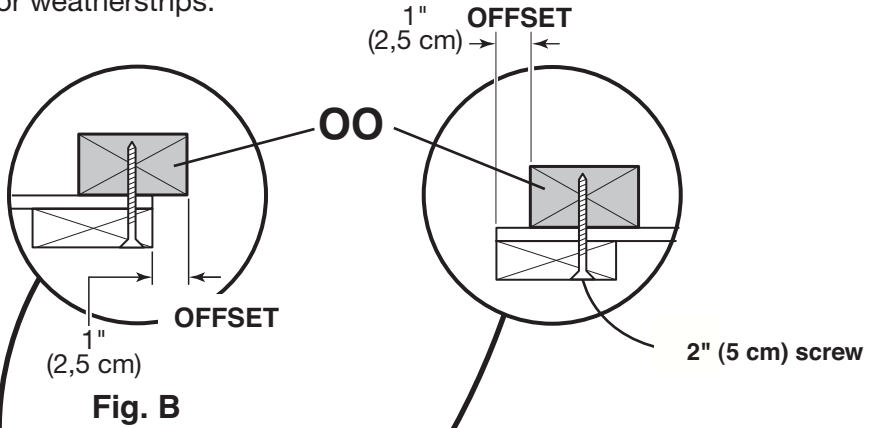
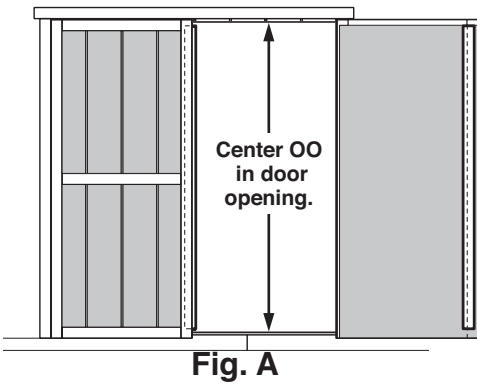
✓ BEGIN

- 1 With left door closed, center a weatherstrip **OO** vertically on the left door in the door opening (**Fig. A**). **OO** will offset the left door 1" OUT past the door trim 1" (**Fig. B**).
- 2 Secure **OO** using seven 3" screws through outside trim into **OO** (**Fig. B**)
- 3 On right door center **OO** vertically in door opening (**Fig. A**). **OO** will offset the right door 1" IN from the door trim (**Fig. C**).
- 4 Secure **OO** using seven 3" screws through outside trim into **OO** (**Fig. C**).



FINISH

- 5 You have finished installing your door weatherstrips.



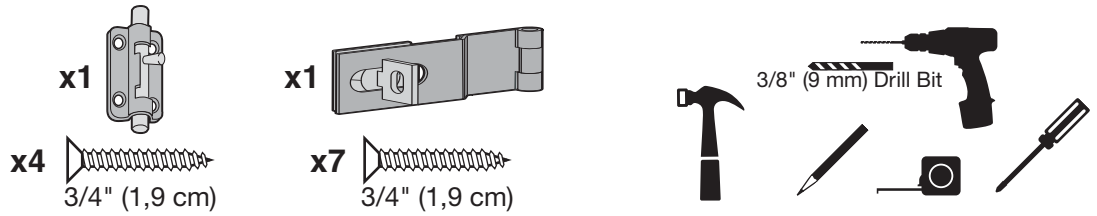
GABLE 10' x 8'

GABLE 10' x 12'

GABLE 10' x 16'

DOOR HARDWARE

PARTS REQUIRED:

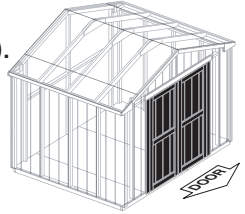


BEGIN

1 Mount barrel bolt flush at top of **OO** on left door using 3/4" screws as shown (Fig A).

2 With door closed mark hole location for bolt to extend into.

HINT: Extend bolt to leave a mark in wood. Tap bolt with hammer. Drill 3/8" hole deep enough for bolt to slide into.



3 Install hasp on right door and latch on left door. Bottom edge of hasp is 35-1/2" (90 cm) up from bottom edge of door trim. Measure and mark locations and install with 3/4" screws as shown (Fig B).

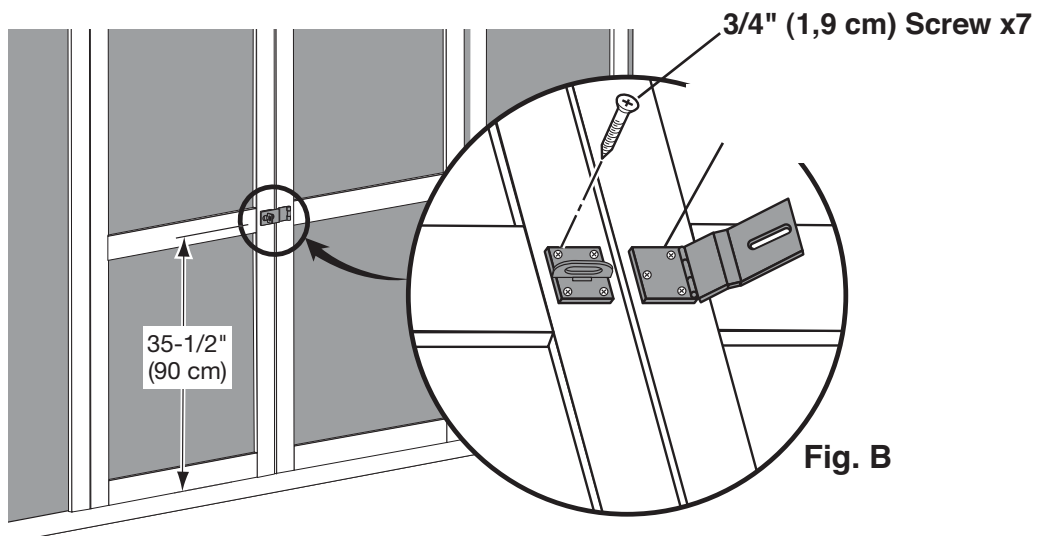
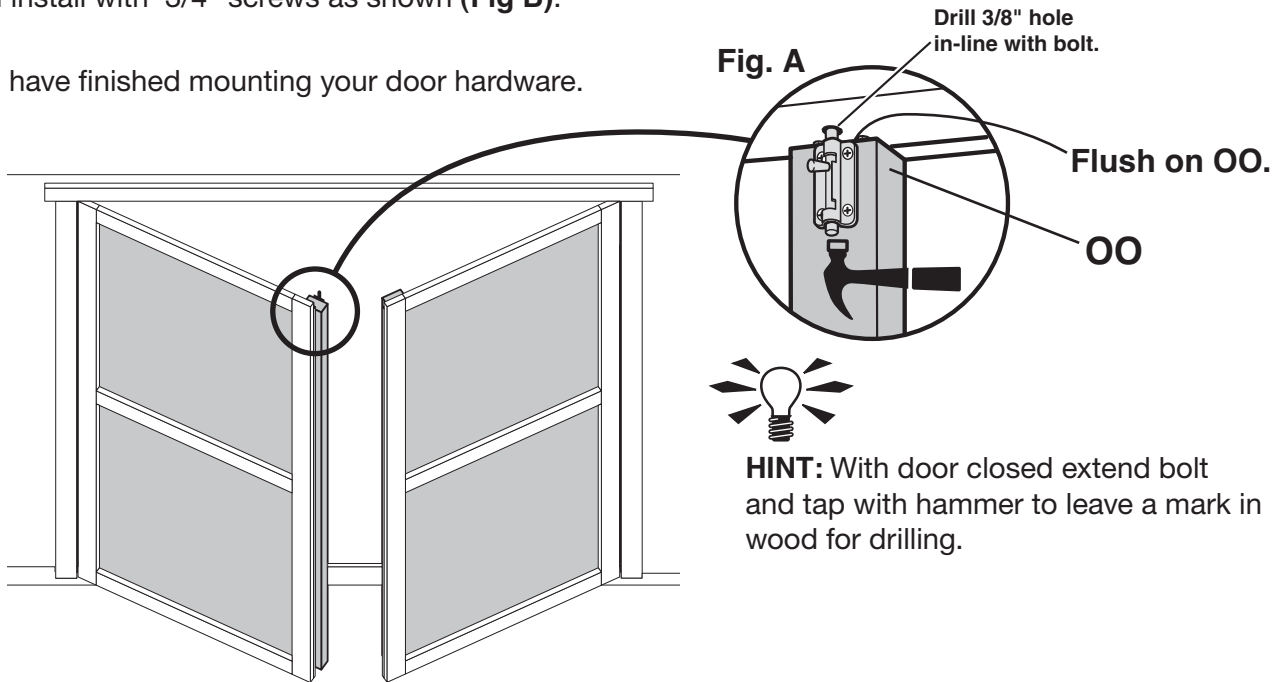
FINISH

4 You have finished mounting your door hardware.

GABLE 10' x 8'

GABLE 10' x 12'

GABLE 10' x 16'



PAINT & CAULK - NOT INCLUDED -



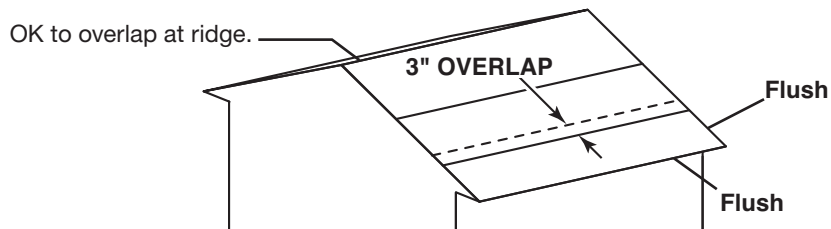
- Use acrylic latex caulk that is paintable. Caulk at all horizontal and vertical seams, between the trim and walls, and all around the door trim.
- Use a high quality exterior acrylic latex paint. When painting your building, there are a few key areas that can be easily overlooked that must be painted:
 - Bottom edge of all siding and trim
 - Inside of doors and all 4 edges

Note:

Prime all un-primed exterior wood before painting.
(Follow directions provided by manufacturer.)

ROOF FELT - NOT INCLUDED -

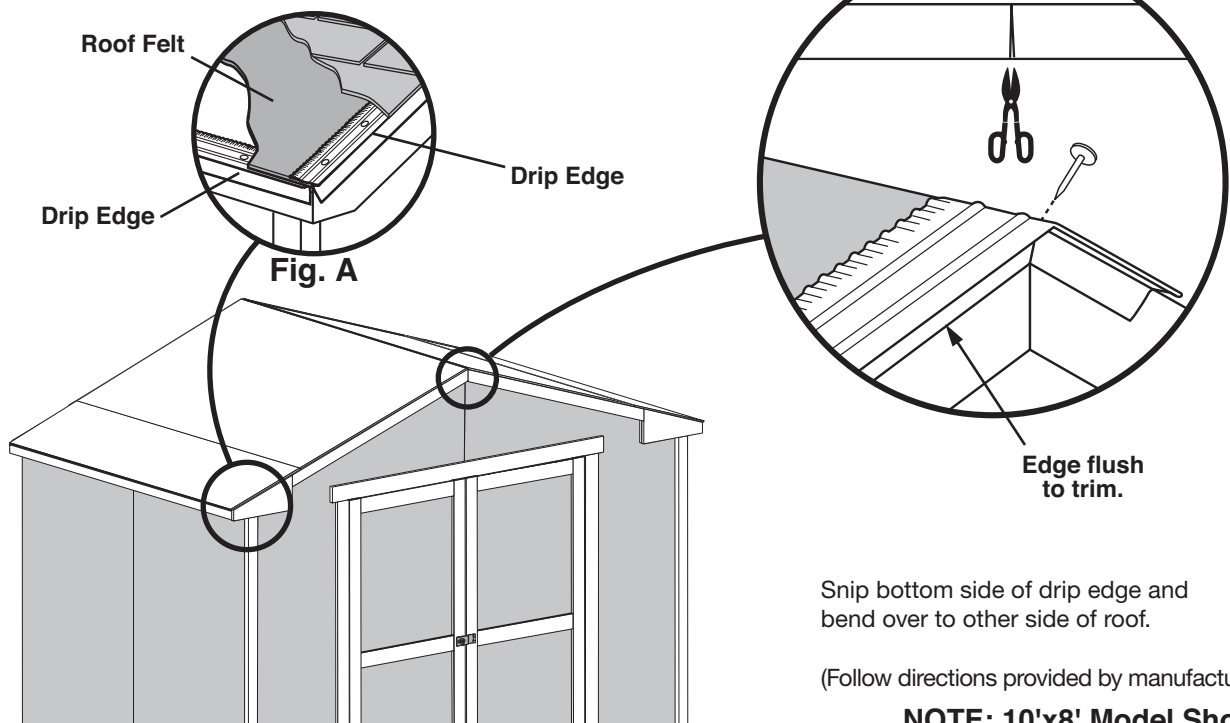
- Install felt flush to all roof edges overlapping 3". Use minimal amount of roofing nails to hold in place.



DRIP EDGE - NOT INCLUDED -



- Install drip edge over roof felt on gable side and under roof felt on eave side (**Fig. A**).
- Do not use nails on side of drip edge that hangs over side of building.
- Only nail top of drip edge as shown.

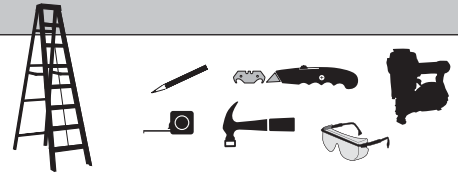


NOTE: 10'x8' Model Shown

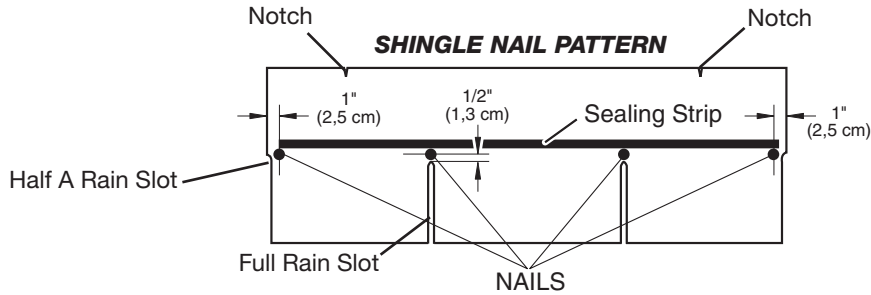
SHINGLES

- NOT INCLUDED -

• Follow directions provided by manufacturer and these instructions.



! Familiarize yourself with a 3-Tab Shingle.



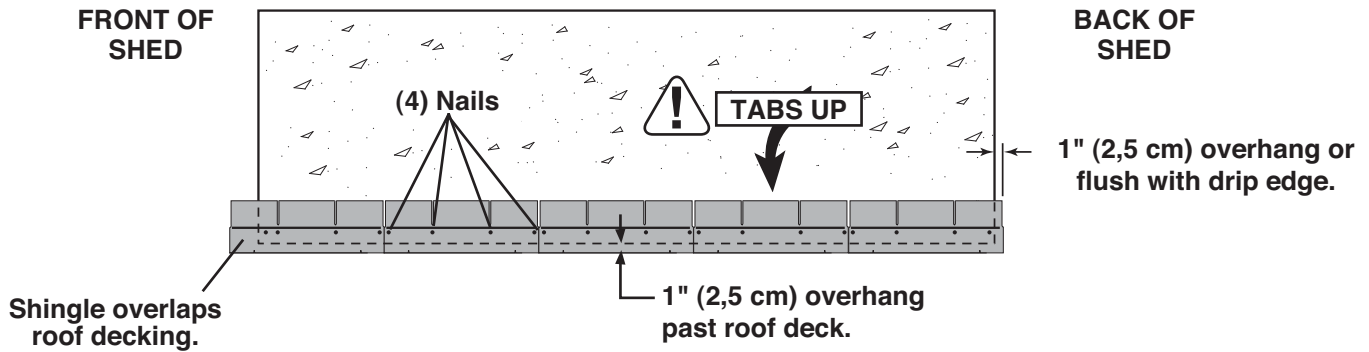
! NEVER DRIVE FASTENERS INTO OR ABOVE SEALING STRIPS.

✓ BEGIN

1 Install first starter row upside down and color up with a 1" overhang at back and bottom of roof panel. Use (4) nails per shingle.

Starter row must be straight and level all the way across with lower edge of roof deck.

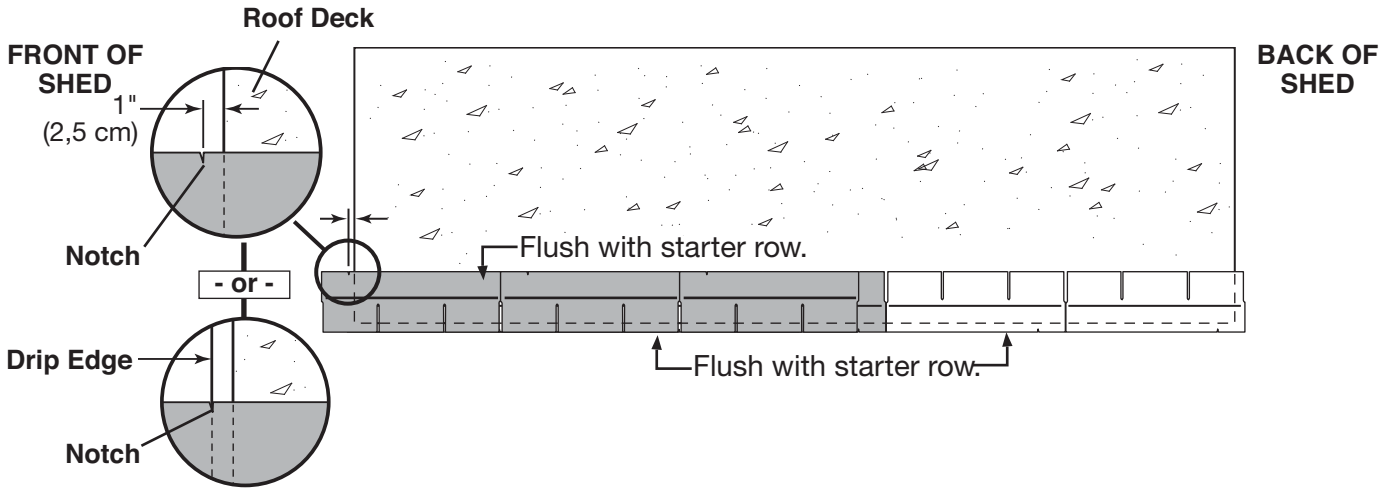
NOTE: If you have installed drip edge install shingles flush to drip edge.



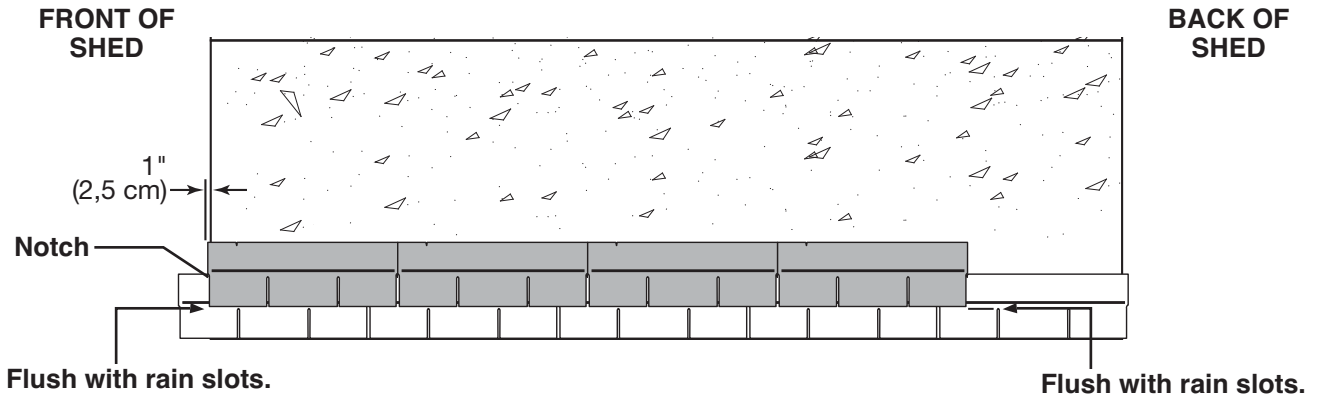
SHINGLES

continued...

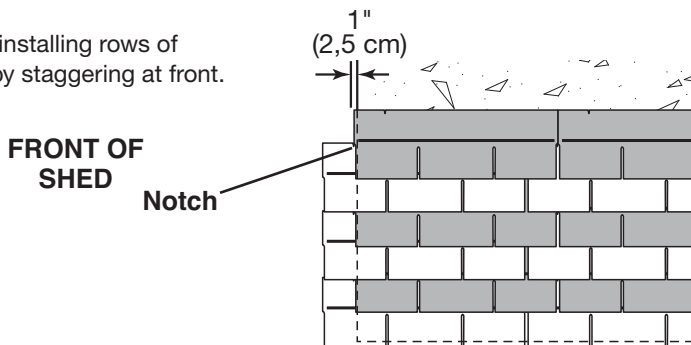
- 2** Beginning at front of shed, install first row of shingles with notch at 1" past roof edge or flush with drip edge.



- 3** Install second row of shingles flush at top of first row's rain slots. Ensure 1" overhang or flush to drip edge at front, stagger each row.



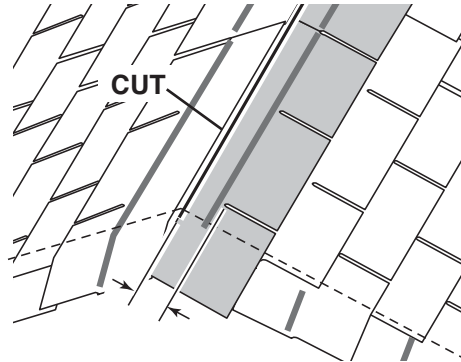
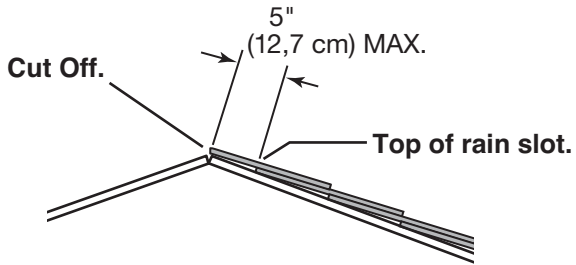
- 4** Continue installing rows of shingles by staggering at front.



SHINGLES

continued...

- 5 Continue installing rows of shingles to the peak. At the peak make sure there is a maximum of 5" or less to the rain slot, as shown below. If shingles overlap at ridge cut to peak with a utility knife.

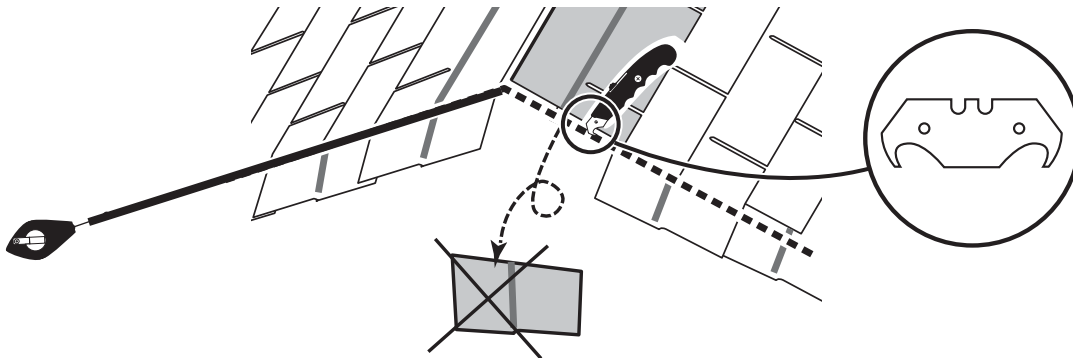


- ⚠ • If more than 5" to rain slot you must install another row of shingles.

- 6 Repeat steps 1 - 5 to shingle the opposite side of your roof. Trim shingles at ridge.

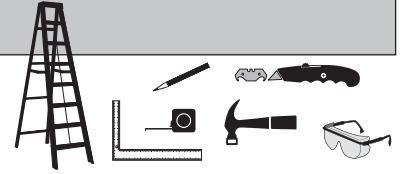
- 7 Once both sides are shingled you need to trim ends. Strike a chalk line 1" from edge.

- 8 Using your shingle hooked blade carefully cut shingles along chalk line.



- 9 You have finished shingling your roof. Proceed to capping the ridge.

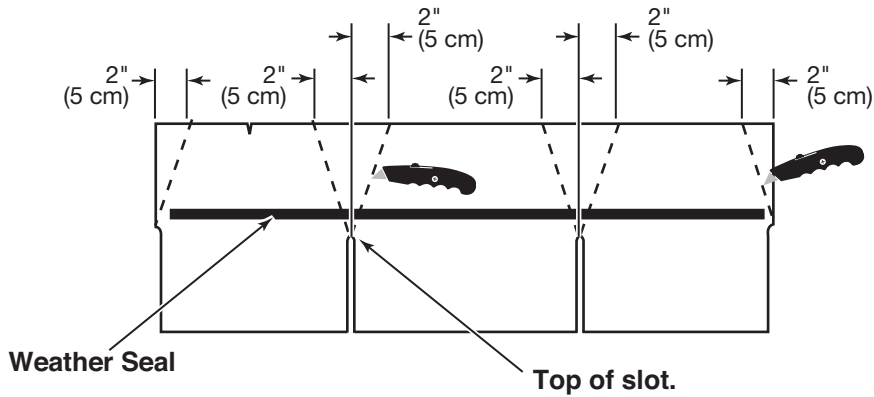
SHINGLES - RIDGE CAP



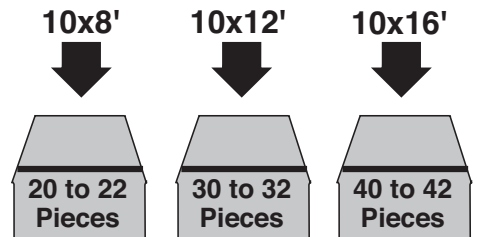
• You will finish off the top of the roof with a ridge cap made from shingles.

✓ BEGIN

1 Cut shingles into THREE pieces. **Hint:** Use cut-off pieces first.



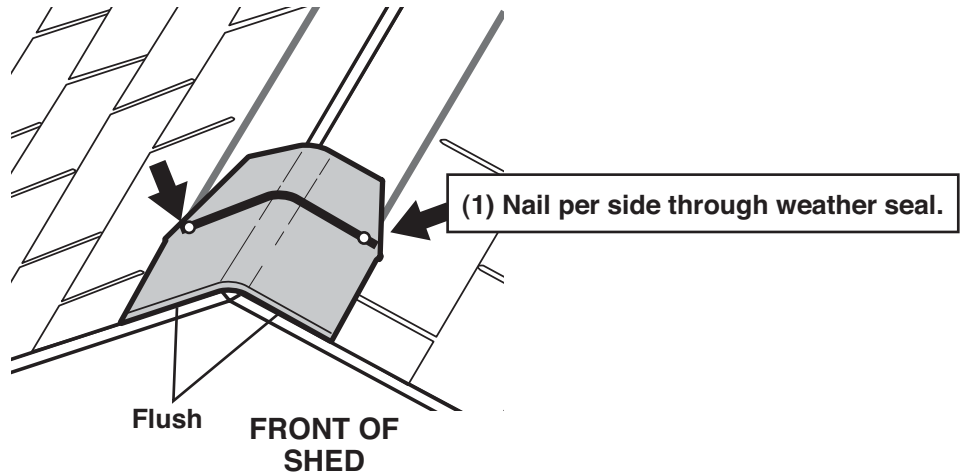
 **Score shingle, then snap-off angled cut.**



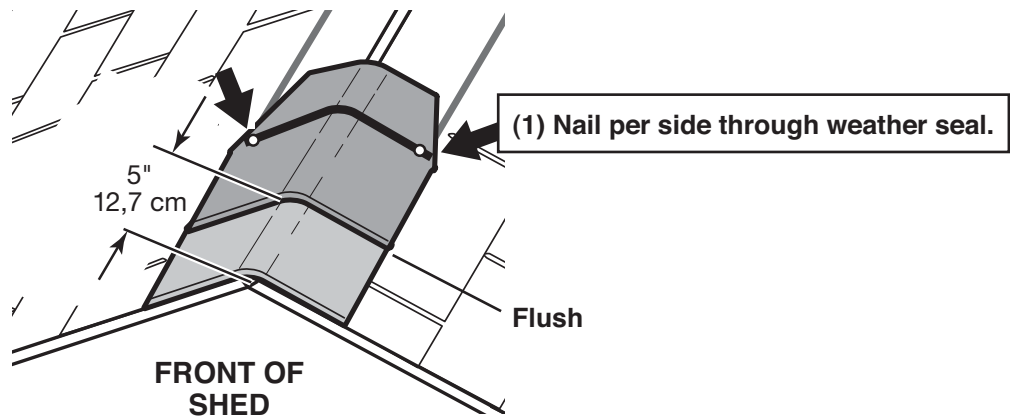
Note:

- You will need about 20 - 22 cut pieces for 10' x 8' model
- You will need about 30 - 32 cut pieces for 10' x 12' model
- You will need about 40 - 42 cut pieces for 10' x 16' model

2 Install first ridge cap flush to shingles at front, as shown.



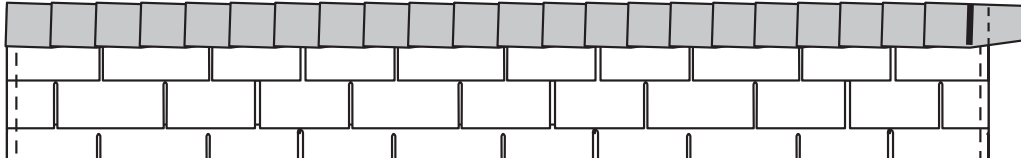
3 Install second ridge cap 5" back, as shown.



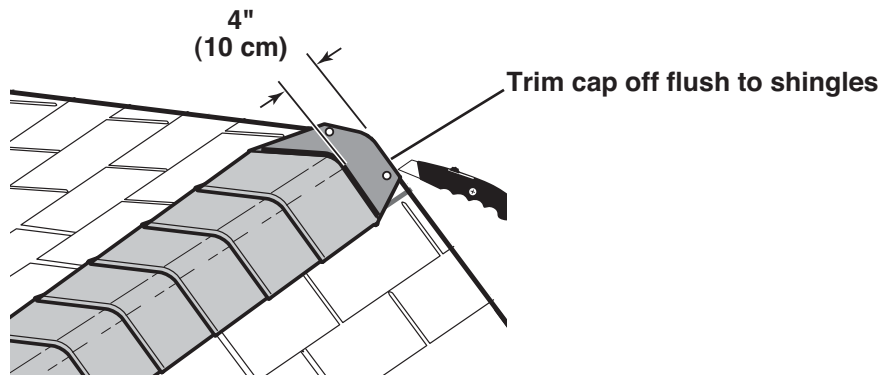
SHINGLES - RIDGE CAP

continued...

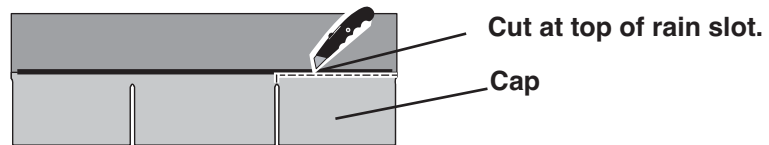
- 4 Continue installing ridge cap to back of roof.



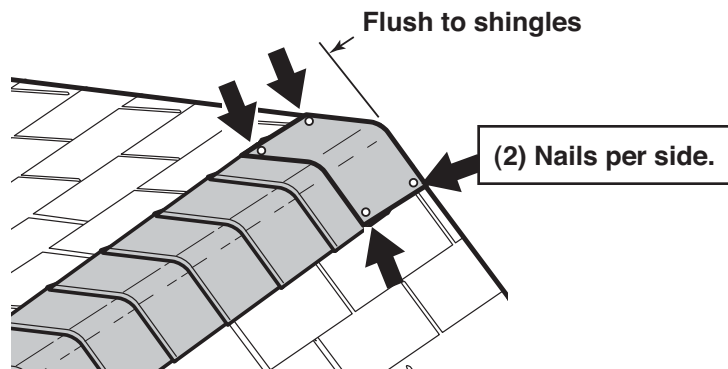
- 5 Make sure there is 4" between the shingle-color and edge of shingles.



- 6 When you have 4" minimum of shingle color cut one piece to cap your roof.



- 7 Install flush to shingles.



- 8 You have finished your ridge cap.

WARRANTY

Backyard Storage Solutions, LLC warrants the following:

1. Every product is warranted from defects in workmanship and manufacturing for one year.
2. All hardware and metal components are warranted for two years.
3. Trim is warranted for 10 years.
4. Waferboard siding and sheathing is warranted for two years.
5. SmartSide™ siding is warranted for 10 years on all Marco series buildings and 15 years on all Premier Series buildings.
6. Timber series buildings' siding and trim are warranted for 10 years.
7. Solar Shed windows are warranted for 1 year.
8. Cedar lumber is warranted for 15 years.
9. Cedar doors and Cedar Garden Center are warranted for 10 years.
10. Metal roof is warranted for 25 years.

**Limited Conditional
Warranty ***

Backyard Storage Solutions, LLC will repair, replace or pay for the affected part. In no event shall Backyard Storage Solutions, LLC pay the cost of labor or installation or any other costs related thereto. All warranties are from date of purchase. If a cash refund is paid on an affected part, it will be prorated from the date of purchase.

CONDITIONS

The warranty is effective only when:

1. The unit has been erected in accordance with the assembly instructions.
2. The unit has been properly shingled and painted or stained and reasonably and regularly maintained thereafter.
3. The failure occurs when the unit is owned by the original purchaser.
4. Backyard Storage Solutions, LLC has received the warranty registration card within thirty (30) days of purchase and notification of the failure in writing within the warranty period specified above.
5. Backyard Storage Solutions, LLC has had reasonable opportunity during the sixty (60) days following receipt of notification to inspect and verify the failure prior to commencement of any repair work.

REQUIREMENTS

Storage Buildings & Playhouses

To validate your warranty, it is necessary to properly maintain your Backyard Storage Solutions, LLC unit; shingle the roof and paint or solid-colored stain the siding using 100% acrylic latex exterior product with a minimum of two (2) coats within thirty (30) days of assembly; caulk above all doors and all horizontal and vertical trim boards; paint and seal all exposed edges, sides and faces of SmartSide™ and waferboard siding to include all exterior walls and all sides and all edges of doors.

Gazebos, Pergolas & Timber Buildings

To validate your warranty, it is necessary to properly maintain your Backyard Storage Solutions, LLC unit. This includes treating all of the exposed cedar and pine surfaces on your gazebo or timber building with an exterior grade wood preservative, an exterior oil-based semi-transparent stain, an acrylic latex exterior paint or an acrylic latex solid color exterior stain within 30 days of assembly and as needed thereafter to maintain your warranty.

Keep vegetation trimmed away from building and make sure siding panels and trim do not come in contact with masonry or cement. The minimum ground clearance for siding must be one half inch (½ inch) from concrete slab or two and one half inches (2 ½") from the ground when building is erected or constructed on a treated wood floor kit. Water from sprinklers must be kept off unit. In no event will Backyard Storage Solutions, LLC be responsible for any indirect, incidental, consequential or special damages nor for failure(s) that are caused by events, acts or omissions beyond our control including, but not limited to, misuse or improper assembly, improper maintenance (which eventually leads to rot or decay) and acts of God. Backyard Storage Solutions, LLC will not be held responsible for any labor costs incurred to construct your unit. This warranty gives you certain specific rights that vary from state to state.

CLAIM PROCEDURE

To make a claim under this warranty, you can either call 1-888-827-9056 or prepare a letter. Please have ready the information below when you call or include the information when writing:

1. The model and size of the product.
2. A list of the part(s) for which the claim is made.
3. Proof of purchase of the Backyard Storage Solutions, LLC item, as shown on the original invoice.
4. Run code, as listed on the yellow warranty card enclosed in the product package.

Mail the above information to:

Backyard Storage Solutions, LLC
Attn: Customer Service
1000 Ternes
Monroe, MI 48162

***WARRANTY TERMS MAY VARY OUTSIDE THE U.S.A.**

IMPORTANT: This is your warranty certificate.

Please complete and mail your warranty card to properly validate your warranty.