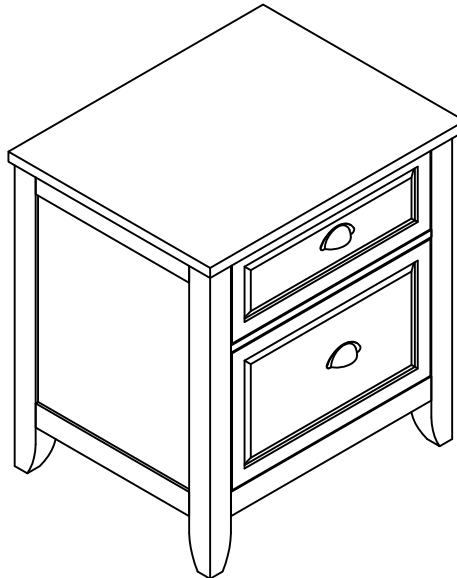


**StyleWell™**

Model #BF-25631-WH  
BF-25631-MO  
BF-25631-SE  
Item #1004019347  
1004020544  
1004019373

## USE AND CARE GUIDE

**THD PRODUCT NAME: Nightstand with 2 drawers  
with cup pulls**



**Questions, problems, missing parts? Before returning  
to the store, Call Customer Service  
8 a.m. - 7p.m., EST, Monday - Friday, 9 a.m. - 6 p.m.,  
EST, Saturday**

**1-877-527-0313  
HOMEDEPOT.COM**

---

**THANK YOU  
THANK YOU**

*We appreciate the trust and confidence you have placed in Stylewell through the purchase of this nightstand. We strive to continually create quality products designed to enhance your home. Visit us online to see our full line of products available for your home improvement needs. Thank you for choosing Stylewell!*

---

## Table of Contents

Table of Contents.....	2	Assembly.....	5
Safety Information.....	2	Maintenance.....	12
Warranty.....	2	Care and Cleaning.....	12
What is Covered.....	2		
What is Not Covered.....	2		
Pre-Assembly.....	3		
Planning Assembly.....	3		
Tools Required.....	3		
Hardware included.....	3		
Package contents.....	4		

## Safety Information

Read and understand these instructions before attempting to install or use this product.



**CAUTION:** Use caution when lifting heavy objects. Lifting heavy objects improperly could cause serious injury.



**NOTE:** Handle with care. Do not drop or handle roughly, as this could damage the linen cabinet.

## Warranty

### 1 YEAR WARRANTY

#### WHAT IS COVERED

We guarantee this product to be free of manufacturing defects to the original purchaser for one year.

#### WHAT IS NOT COVERED

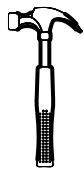
This warranty does not cover commercial use, acts of nature, and abusive use.

# Pre-Assembly

## PLANNING ASSEMBLY

Check the product for damage before installation. If any part of the product is missing or damaged, contact the Customer Service Team at 1-877-527-0313.

## TOOLS REQUIRED



Hammer



Safety goggles



Phillips screwdriver

## HARDWARE INCLUDED



**NOTE:** Hardware not shown to actual size.



\_\_\_\_\_ A



\_\_\_\_\_ B



\_\_\_\_\_ C



\_\_\_\_\_ D



\_\_\_\_\_ E



\_\_\_\_\_ F



\_\_\_\_\_ G

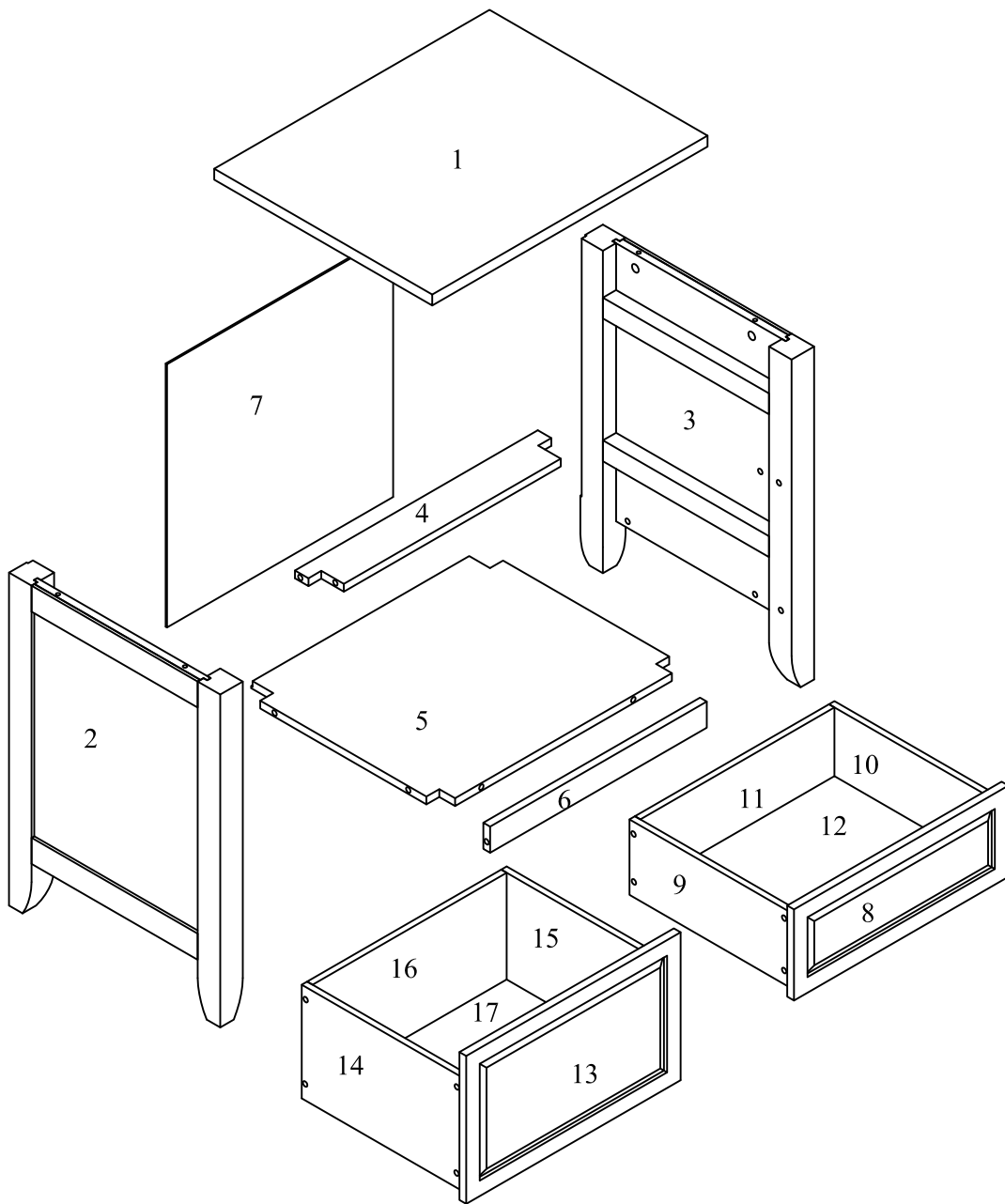


\_\_\_\_\_ H

PART	DESCRIPTION	QUANTITY
A	CAM-BOLT	14
B	CAM-LOCK	14
C	DOWEL	2
D	KNOB	2
E	SCREW	4
F	SCREW	16
G	SCREW	14
H	CAM-TOOL	1

# Pre-Assembly

## PACKAGE CONTENTS

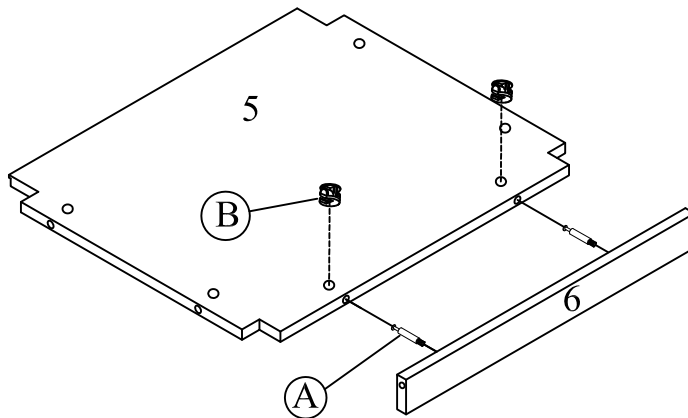


Part	DESCRIPTION	Quantity
1	TOP PANEL	1
2	LEFT SIDE PANEL	1
3	RIGHT SIDE PANEL	1
4	DIAPHRAGM PANEL	1
5	BOTTOM PANEL	1
6	RUNG PANEL	1
7	BACK PANEL	1
8	SMALL DRAWER FRONT PANEL	1
9	SMALL DRAWER LEFT SIDE PANEL	1
10	SMALL DRAWER RIGHT SIDE PANEL	1
11	SMALL DRAWER BACK PANEL	1
12	SMALL DRAWER BOTTOM PANEL	1
13	LARGE DRAWER FRONT PANEL	1

Part	DESCRIPTION	Quantity
14	LARGE DRAWER LEFT SIDE PANEL	1
15	LARGE DRAWER RIGHT SIDE PANEL	1
16	LARGE DRAWER BACK PANEL	1
17	LARGE DRAWER BOTTOM PANEL	1

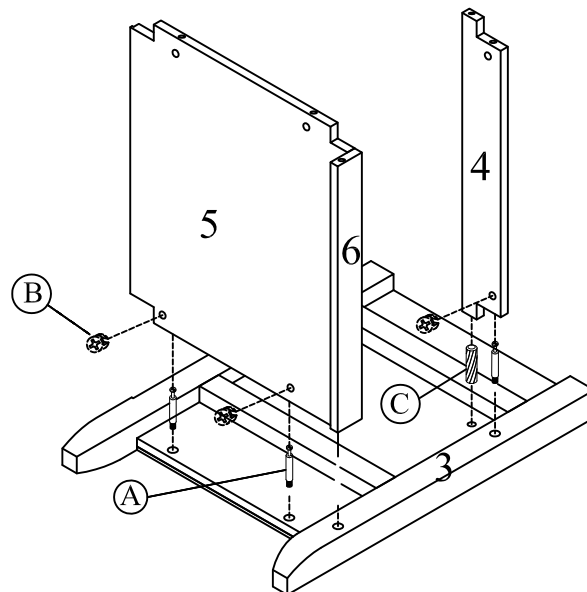
## 1 Assemble bottom panel

- Screw the 2 cam bolts (A) into the holes in the rung panel (6). Place 2 cam bolts (A) into the holes in the bottom panel (5) and connect them with 2 cam locks (B).



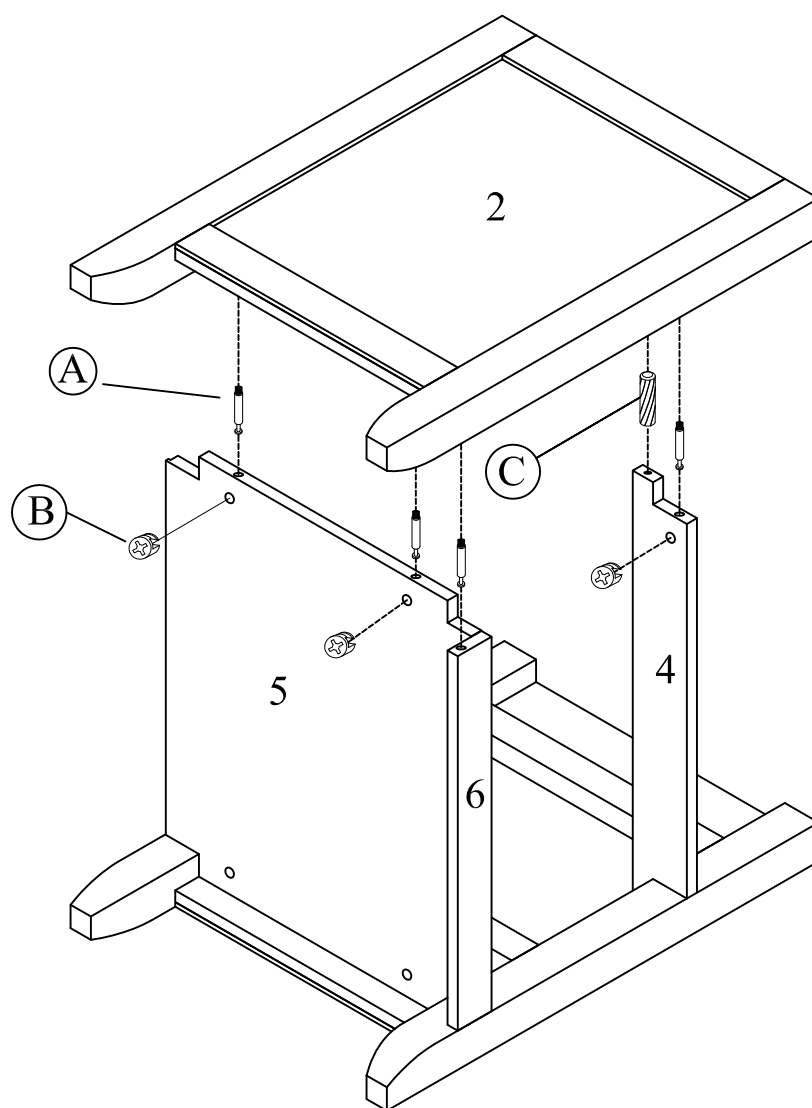
## 2 Assemble right side panel

- Screw the 4 cam bolts (A) and 1 dowel (C) into the holes in the right side panel (3). Place the 4 cam bolts (A) into the holes in the bottom panel (5), rung panel (6) and diaphragm panel (4). And connect them with 4 cam locks (B).



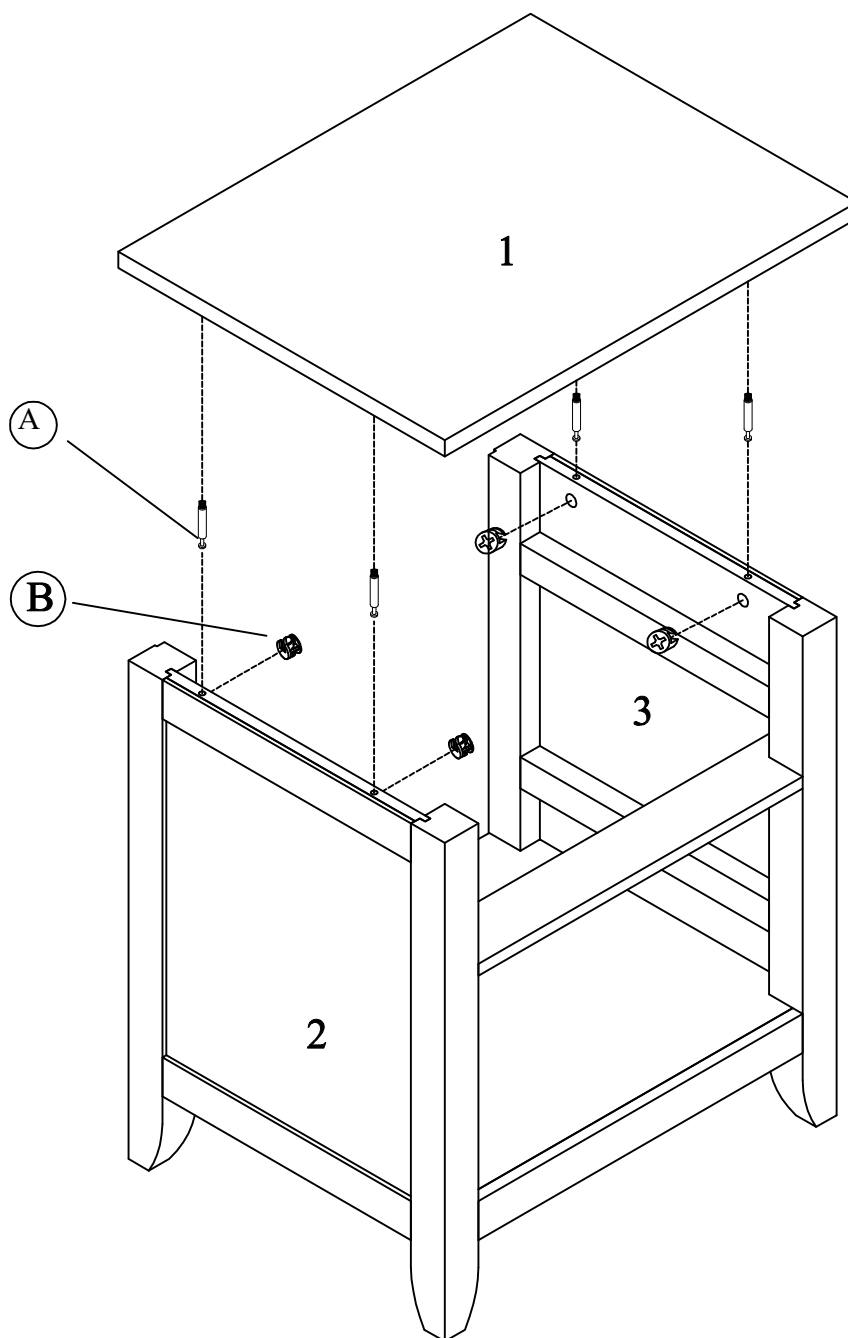
## 3 Assemble left side panel

- Screw the 4 cam bolts (A) and 1 dowel (C) into the holes in the left side panel (2). Place the 4 cam bolts (A) into the holes in the bottom panel (5), rung panel (6) and diaphragm panel (4). And connect them with 4 cam locks (B).



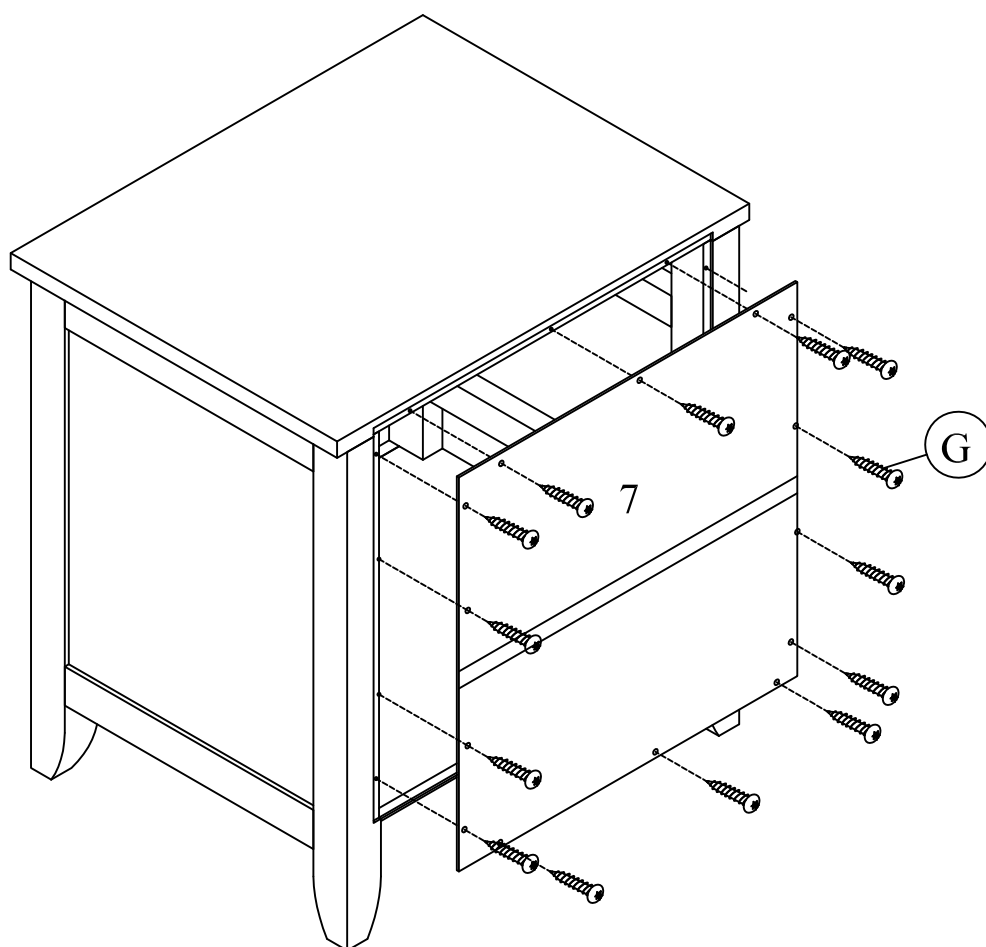
## 4 Assemble top panel

- Screw the 4 cam bolts (A) into the holes in the top panel (1). Place the 4 cam bolts (A) into the holes in the left side panel (2), and right side panel (3), And connect them with 4 cam locks (B).



## 5 Assemble back panel

- Attach back panel (7) using 14 screws (G).

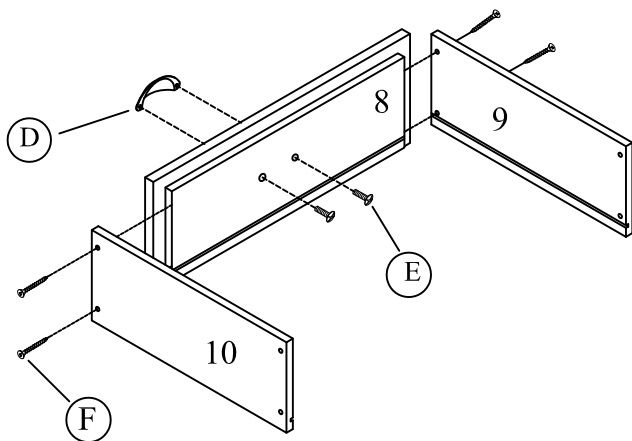




## Assembly

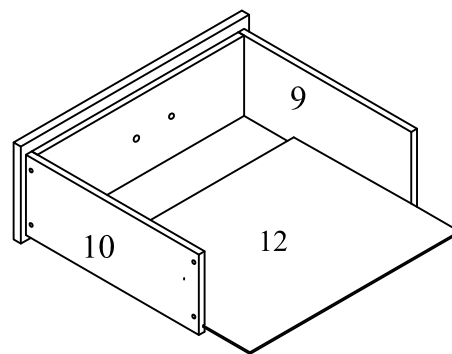
### 6 Assemble small drawer front panel.

- Attach small drawer left/right side panel(9/10) to small drawer front panel(8) using 4 screws(F).
- Pass the 2 screw (E) through the hole in the suction panel (8) and tighten it against the hole in the knob (D).



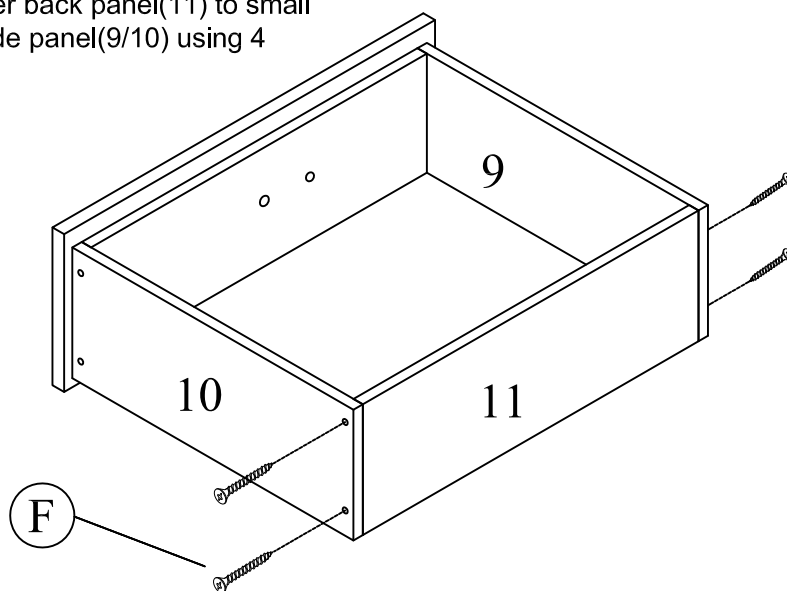
### 7 Assemble small drawer bottom panel.

- Insert small drawer bottom panel(12) into the slot in the small drawer left/right side panel(9/10).



### 8 Assemble small drawer back panel.

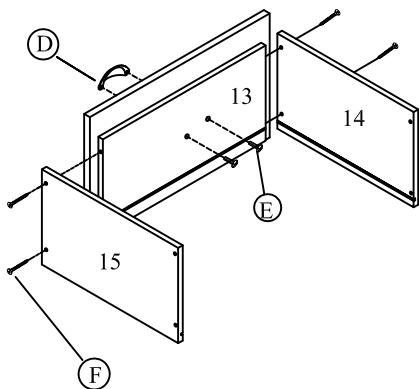
- Attach small drawer back panel(11) to small drawer left/right side panel(9/10) using 4 screws(F).



## Assembly

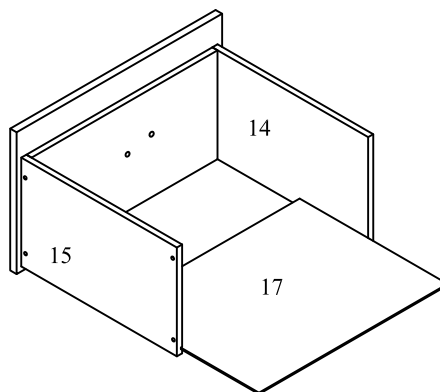
### 9 Assemble large drawer front panel.

- Attach large drawer left/right side panel(14/15) to large drawer front panel(13) using 4 screws(F).
- Pass the 2 screw (E) through the hole in the suction panel (13) and tighten it against the hole in the knob (D).



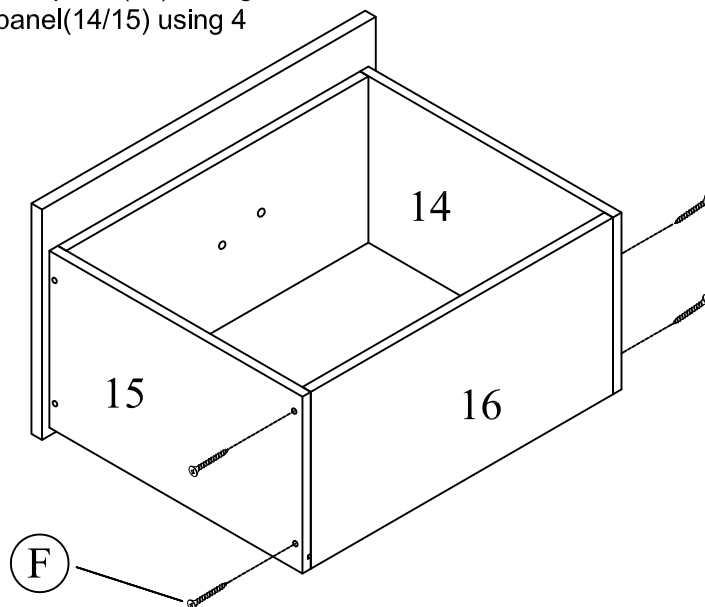
### 10 Assemble large drawer bottom panel.

- Insert large drawer bottom panel(17) into the slot in the large drawer left/right side panel(14/15).



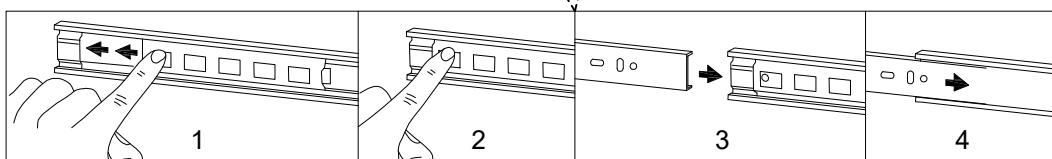
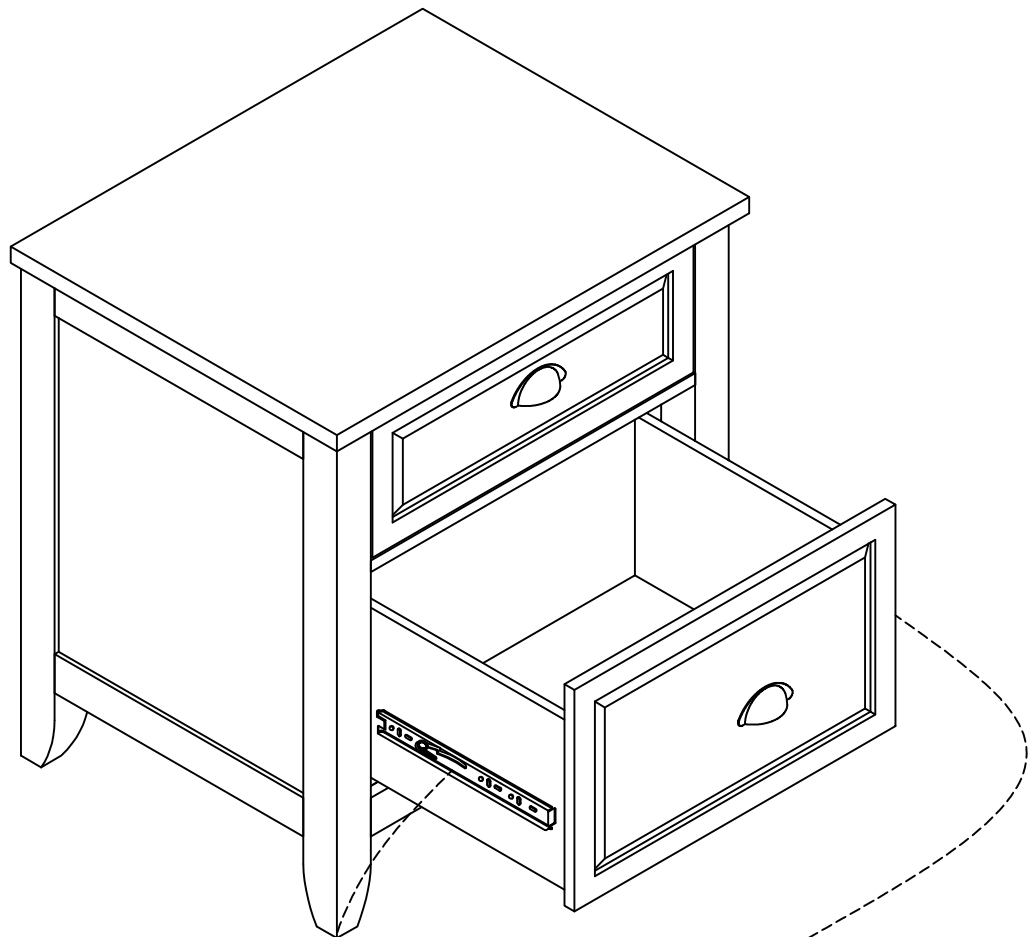
### 11 Assemble large drawer back panel.

- Attach large drawer back panel(16) to large drawer left/right side panel(14/15) using 4 screws(F).



# 12

Assemble drawer.



## Maintenance

---

- If your furniture is stained or otherwise damaged during use, contact a professional for repairs.

## Care and Cleaning

---

- Use a soft, clean cloth that will not scratch the surface when dusting.
- Use of furniture polishes is not necessary. Should you choose to use polishes, test the polish in an inconspicuous area before using over the entire surface of the product.
- Using solvents of any kind on your furniture may damage the finish.
- Never use water to clean your furniture as it may cause damage to the finish.
- Always use coasters under beverage glasses and flowerpots.
- Liquid spills should be removed immediately. Using a soft, clean cloth, blot the spill gently. Avoid rubbing.
- Always use protective pads under hot dishes and plates. Heat can cause chemical changes that may create spotting within the furniture finish.
- Use care as stains or marks from crayons or ink markers will be difficult to remove.
- Be sure to immediately clean red wine or soda stains within 30 minutes or the surface will stain.

# **StyleWell™**

**Questions, problems, missing parts?  
Before returning to the store, call Customer Service  
8 a.m. - 7 p.m., EST, Monday - Friday, 9 a.m. - 6 p.m., EST, Saturday**

**1-877-527-0313**

**HOMEDEPOT.COM**

**Retain this manual for future**