



STUMP GRINDER ASSEMBLY GUIDE
MODEL: **OPG777**
3.5 CUT 14HP STUMP GRINDER



DETAIL K2 INC.

DK2 POWER USA
4301 S Valley View Blvd STE 10-11
Las Vegas, NV 89103
1-702-331-5353

DETAIL K2, INC.
1080 Clay Avenue Unit 2
Burlington, Ontario, Canada L7L0A1

DK2 USA EAST
6245 Industrial Parkway
Whitehouse, OH 43571

TOLL FREE 1-888-277-6960 EMAIL – INFO@DETAILK2.COM

COMMERCIAL STUMP GRINDER

3.5 WIDE CUT
TOWABLE
14HP KOHLER ENGINE



OFF ROAD TOWING ONLY

STEP 1: CHECK THE PACKING

Open and unpack all items. Leave lots of working space.
Inspect all parts.

The Stump Grinder is shipped in a crate. Leave the sides folded down and use as your work space.

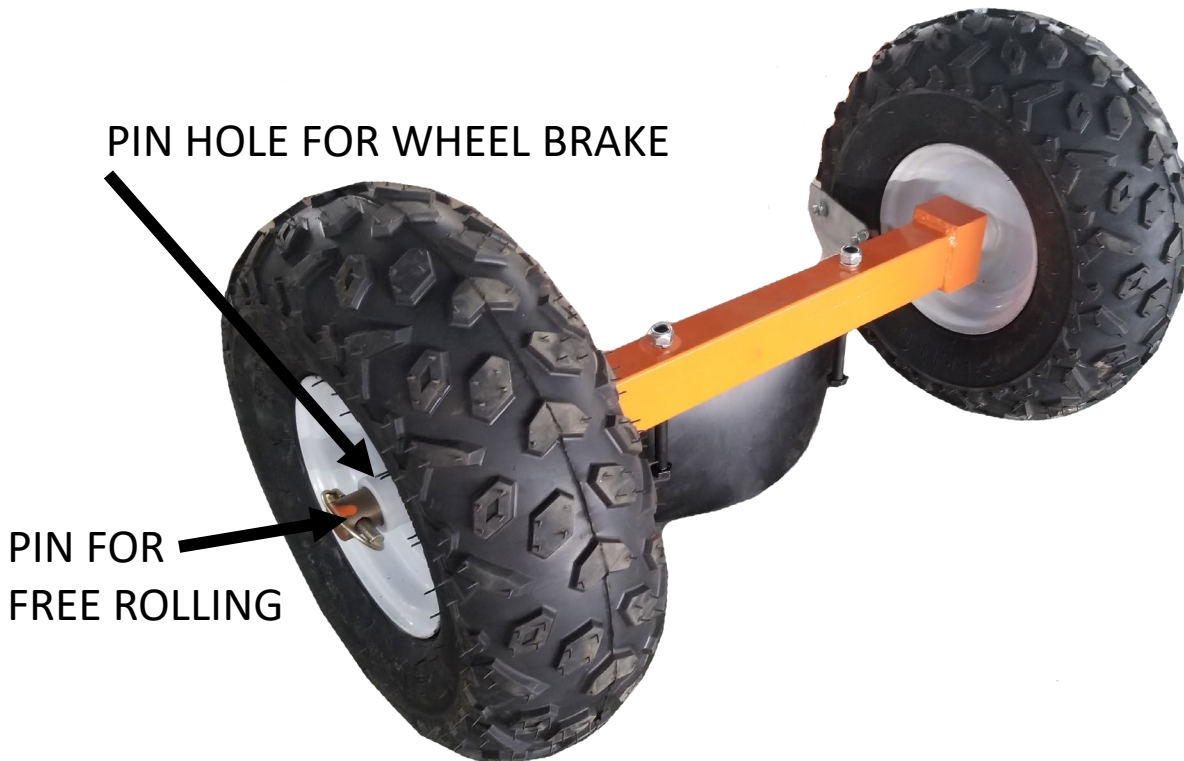


NOTE: UPON INSPECTION OF PARTS IF YOU FIND ANY DAMAGE OR MISSING PARTS PLEASE CALL DK2 POWER AT **702-331-3535** OR CONTACT US VIA OUR WEBSITE WWW.DK2POWER.COM
WE WILL REPLACE ANY DAMAGED or MISSING PARTS TO YOU FREE

PLEASE DO NOT RETURN TO THE STORE

STEP 2:

1. Slide wheels onto axle and install Lynch Pins.
2. To BRAKE one pivot wheel while stump grinding PIN through Wheel hub and axle to brake wheel from turning.
3. Pin ONLY the axle to allow the wheel to spin freely.
4. During transport in trailer or pickup PIN BOTH WHEELS for dual wheel brakes.
5. Install axle onto frame with 2 bolts and hardware provided.



STEP 3:

1. Mount the handle tower with the bolts provided.
2. Connect the 2 wire connectors.



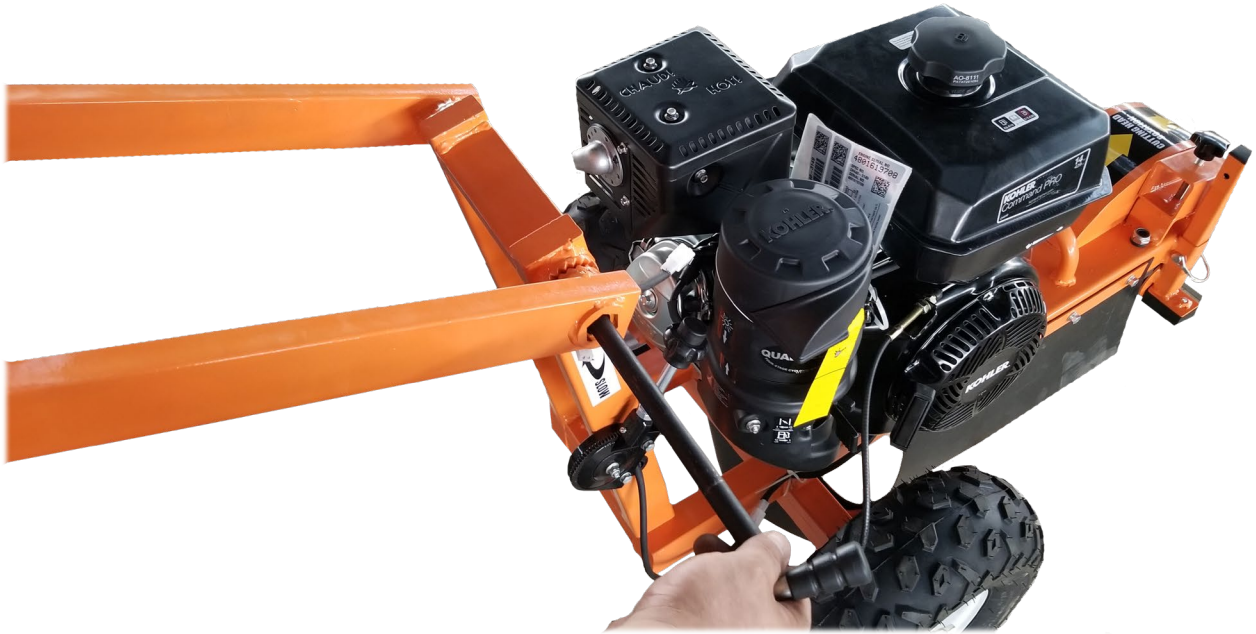
STEP 4

1. INSTALL THE THROTTLE ASSY WITH 2 BOLTS PROVIDED.
2. PLACE BOLTS FROM OUTSIDE AND PLACE NUTS ON INSIDE OF HANDLE TOWER.



STEP 5

1. INSTALL THE BOW HANDLE WITH THE LONG BOLT.
2. ASSEMBLY THE ADJUSTMENT HANDLE
3. CONNECT THE WIRING CONNECTORS.



1



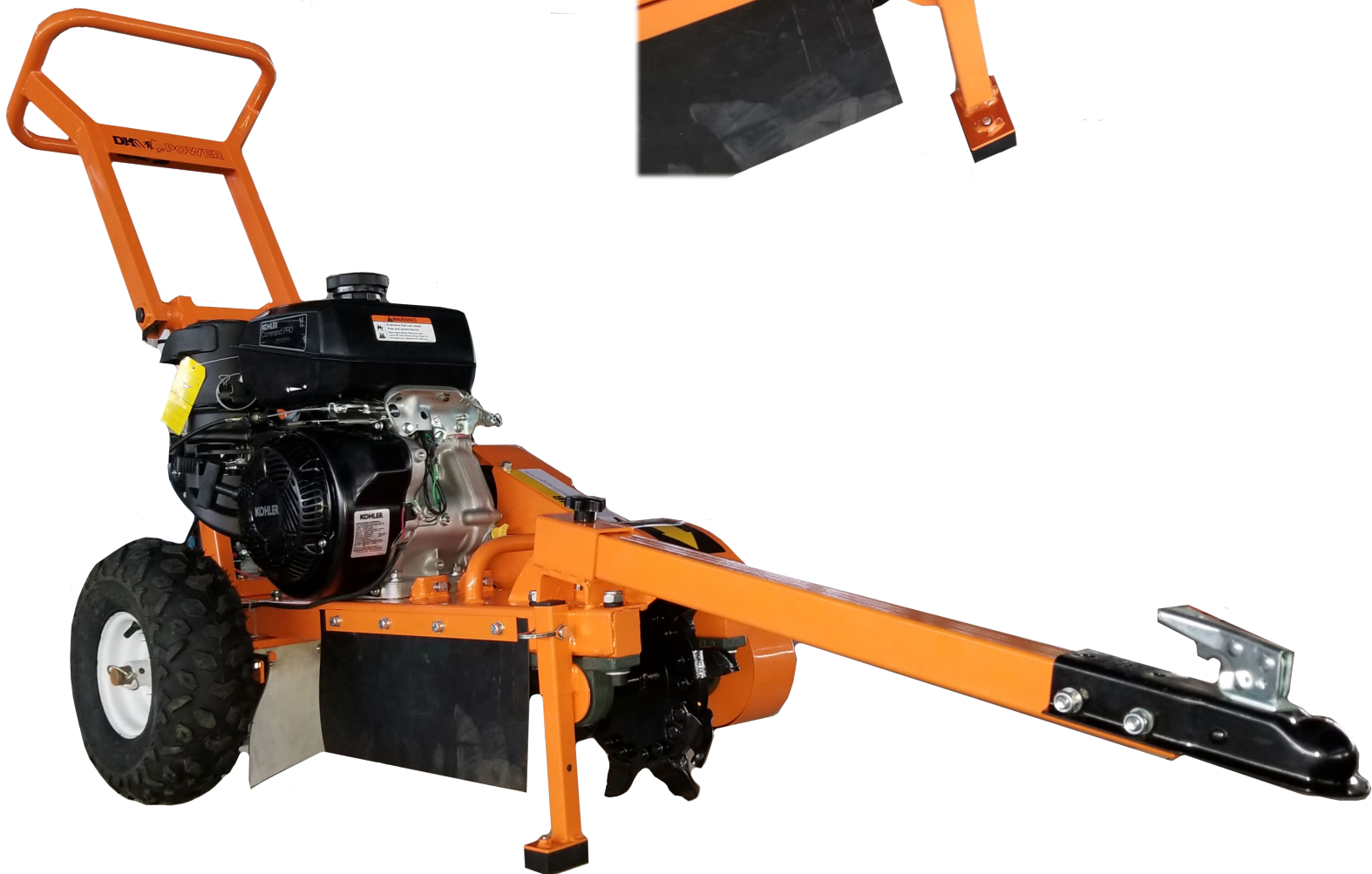
2



3

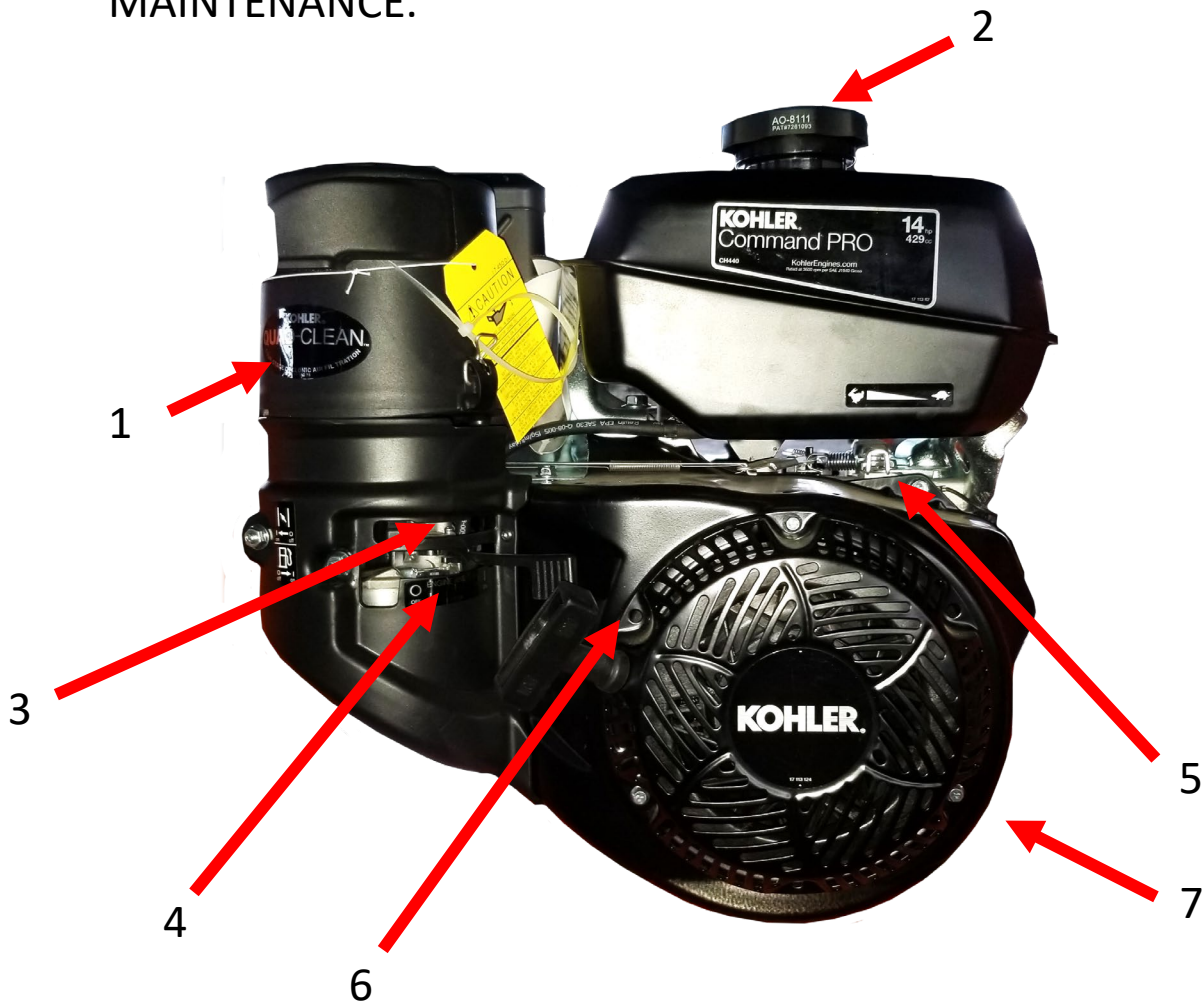
STEP 6

1. INSTALL YOUR TOW BAR AND YOUR DONE! GREAT JOB.
2. YOUR STUMP GRINDER COMES WITH AN EXTRA SET OF TEETH. INSTALL YOUR TEETH "RCL" RIGHT CENTER LEFT RIGHT CENTER LEFT RIGHT CENTER LEFT.
3. Your unit has 9 teeth and a cutting path of 3.5 inches wide.

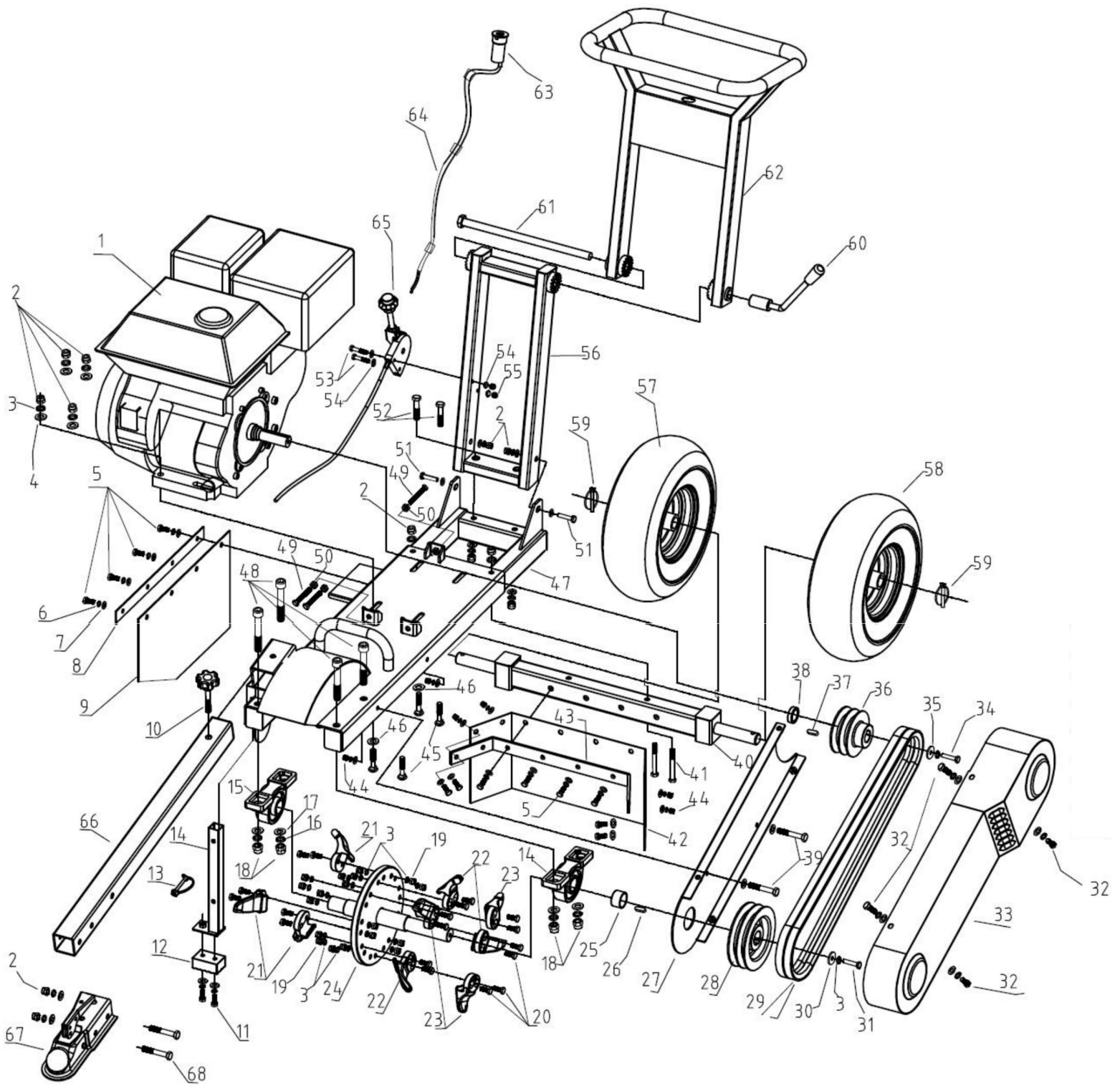


STEP 7:

READ THE KOHLER ENGINE MANUAL SUPPLIED WITH YOUR UNIT FOR FULL ENGINE OPERATION, SAFETY, AND MAINTENANCE.



1	Air Filter – Summer and Winter Positions
2	GAS – USE MID GRADE OR HIGHER
3	CHOKE – LEFT IS ON / RIGHT IS OFF (RUN POSITION)
4	GAS ON/OFF SWITCH – LEFT IS OFF / RIGHT IS ON
5	THROTTLE – RABBIT FAST / TURTLE SLOW
6	PULL STARTER – PULL TIGHT- THEN PULL START
7	OIL – FILL TO MARK 10W30, WILL NOT START IF OIL IS LOW, HAS LOW OIL SHUTOFF PROTECTION. 2 YELLOW CAPS ARE OIL FILL CAPS. USE EITHER ONE TO FILL OIL.



No.	Specification	No.	Specification
1	engine	35	big washer
2	M10locknut	36	engine pulley
3	∅10lockwasher	37	key
4	washer∅10*∅20*1.5	38	engine spacer
5	Bolt M8*25	39	bolt M8*65
6	∅8lockwasher	40	wheel axle
7	washer∅8*∅16*1.5	41	bolt M10*125
8	protection sheet plate	42	leather protect sheet
9	protection sheet	43	leather protect sheet fixed plate
10	knob∅50	44	M8locknut
11	bolt M8*30	45	half-round head square neck boltM10*45
12	rubber	46	big washer
13	D-pin∅8*50	47	frame
14	support foot	48	Inner six angle cylinder bolt M14*95
15	vertical seat bearing	49	bolt M8*80
16	∅14lockwasher	50	M8 nut
17	washer∅14*∅28*2	51	bolt M10*50
18	M14 locknut	52	bolt M10*100
19	M10nut	53	bolt M6*50
20	boltM10*35	54	washer∅6*∅12*1.2
21	right cutter	55	M6locknut
22	left cutter	56	lower part of handle
23	straight cutter	57	right tyre
24	cutter rotor	58	left tyre
25	side spacer	59	Ring type lock
26	key	60	handle adjusted bar
27	Belt cover accessory plate	61	bolt M16*310
28	rotor pulley	62	handle
29	belt	63	key switch
30	big washer	64	stop wire
31	bolt M10*25	65	throttle
32	bolt M8*16	66	tow bar
33	belt cover	67	hitch trailer
34	engine bolt	68	bolt M10*80

OPERATION – BEFORE TURNING KEY AND PULL STARTING ENGINE

CLEAR AREA OF ALL PEOPLE AND PROPERTY THAT COULD BE DAMAGED. THINK SAFETY. CHIPS ARE FLYING PROJECTILES AND CAN CAUSE INJURY.

WEAR SAFETY GLASSES, HEARING PROTECTION, AND GLOVES

DO NOT WEAR LOOSE FITTING CLOTHES THAT COULD GET STUCK IN THE MACHINE MOVING PARTS, ONLY CHIP WOOD, CHILDREN SHOULD NOT RUN THIS EQUIPMENT, STAY ALERT OF YOUR SURROUNDING AND PERSONS THAT COULD APPEAR IN THE CHIP PATH WHILE YOU ARE WORKING.

UNIT IS A DIRECT DUAL BELT DRIVE. NO CLUTCH TO SLIP OR BURN UP BUT YOUR BELTS WILL NEED TIGHTENED AND CHECKED ON A REGULAR BASIS TO MAINTAIN 100% CUTTING POWER.

- Tip the Stump Grinder up with the cutters off the ground when pull starting.

9 CARBIDE CUTTERS. AN EXTRA SET IS PROVIDED WITH YOUR PURCHASE AS A THANK YOU FOR CHOOSING DK2 POWER.

PERFORMANCE OPERATION -

APPROACH STUMP FROM THE TOP CUTTING STRAIGHT DOWN INTO THE STUMP WITH THE 3.5 INCH WIDE CUTTING TEETH. RAISE UP OUT OF THE CUT, MOVE OVER, PLUNGE AGAIN. REPEAT ACROSS ENTIRE STUMP. MOVE SIDE TO SIDE TO FACE OFF THE STUMP. ADJUST YOUR BOW HANDLE FOR COMFORT.

SET ONE OF YOUR WHEEL BRAKES SO YOU CAN PIVOT THE MACHINE CUT.

TO MOVE THE MACHINE FORWARD WITH THE BRAKE ON, ALLOW THE ROTATING TEETH AGAINST THE STUMP TO PULL THE UNIT FORWARD.

TIGHTEN ALL BOLTS AND TEETH BEFORE EACH USE. TEETH ARE NOT COVERED UNDER WARRANTY. CLEAN ALL STONES AND ROCKS AWAYS FROM CUTTING STUMP AREA, CHECK FOR METAL STAKES AND OR NAILS IN THE TREE STUMP BEFORE CUTTING.

KOHLER ENGINES HAVE A LOW OIL SHUTOFF TO PROTECT THE ENGINE, TILTING THE GRINDER HIGHER THAN 12 INCHES AT AN ANGLE CAN CAUSE THE OIL TO ROLL BACK AND THE LOW OIL SENSOR WILL SHUT THE ENGINE OFF. CUT YOUR STUMP 9 TO 10 INCHES OFF THE GROUND SO YOU DON'T TRIP THE SENSOR ON THE ENGINE.

READ AND OBEY ALL WARNING LABELS ON THIS MACHINE.

QUICK START AND TROUBLE SHOOTING GUIDE

QUICK START SETUP

- ADD 10W30 OIL TO ENGINE
- ADD GAS
- PIN ONE WHEEL INTO PIVOT BRAKE HOLE, OTHER WHEEL FREE TURNING
- RAISE UP KICK STAND
- TURN KEY ON
- HALF THROTTLE (CHOKE OPTIONAL FOR COLD STARTS)
- TIP THE UNIT BACK WITH THE CUTTERS OFF THE GROUND
- PULL START THE ENGINE

STUMP CUTTING

- ENGINE ON HIGHEST SPEED
- HOLD TIGHT ON BOW HANDLE WITH BOTH HANDS
- LOWER CUTTERS INTO TOP OF STUMP, CUT 3.5IN WIDE TO CUTTER DEPTH
- RAISE CUTTERS UP AND MOVE OVER FOR NEXT CUT, REPEAT
- PIVOT CUTTERS FROM SIDE TO SIDE TO FACE OFF REMAINING STUMP

TROUBLE SHOOTING

• ENGINE WONT START

- TURN KEY ON – CHECK ENGINE OIL LEVEL - CHECK GAS LEVEL
- UNPLUG KEY SWITCH – IF ENGINE STARTS REPLACE THE KEY SWITCH.
- FOLLOW YOUR ENGINE MANUAL FOR FURTHER TROUBLE SHOOTING.

• UNIT VIBRATES

- CHECK YOUR CUTTERS FOR MISSING OR LOOSE TEETH.
- CHECK YOUR CUTTER WHEEL PILLAR BEARING MOUNTING BOLTS.

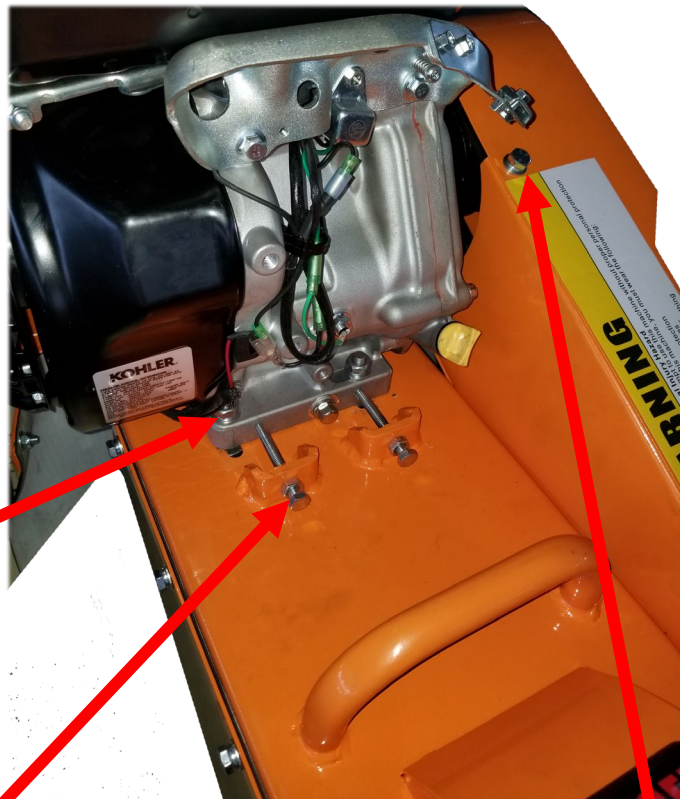
• POWER LOSS AT CUTTER WHEEL

- CHECK YOUR BELT TENSION – SLIPPING BELTS CAUSE POWER LOSS.
- WORN BELTS - REPLACE
- BELT TENSION SHOULD BE SET AT .25 INCH MOVEMENT ABOVE AND BELOW BELT NORMAL POSITION.
- CHECK YOUR 4 ENGINE MOUNTING BOLTS, LOOSE ENGINE BOLTS WILL CREATE LOOSE BELT TENSION.

ADJUSTING THE DRIVE BELTS

- **POWER LOSS AT CUTTER WHEEL**

- CHECK YOUR BELT TENSION – SLIPPING BELTS CAUSE POWER LOSS.
- WORN BELTS - REPLACE
- BELT TENSION SHOULD BE SET AT .25 INCH MOVEMENT ABOVE AND BELOW BELT NORMAL POSITION.
- CHECK YOUR 4 ENGINE MOUNTING BOLTS, LOOSE ENGINE BOLTS WILL CREATE LOOSE BELT TENSION.



LOOSEN 4 ENGINE MOUNTING BOLTS

ADJUST BOLTS TO MOVE THE ENGINE - CHANGING TENSION ON BELTS.

REMOVE 4 COVER BOLTS AND REMOVE BELT COVER

USE DK2 POWER OEM REPLACEMENT BELTS FOR TOP PERFORMANCE



PLEASE DO NOT RETURN TO THE STORE

YOU HAVE A 1 YEAR WARRANTY AND DK2 WILL REPLACE A DEFECTIVE PART FOR FREE

CALL US AT 702-331-5353 FOR FAST WARRANTY PARTS AND QUESTIONS

WHAT IS COVERED

DK2 Inc. warrants to the original purchaser of any DK2 product that it will be free and clear of manufacturing defects in workmanship and materials under normal use and service for a period of one (1) year from the date of the original purchase.

If within one (1) year from the original date of purchase this product fails due to defect in material or workmanship, Detail K2 will repair, replace, or supply any defective part at our option for DK2 trailer products. DK2 POWER outdoor power equipment is 1-year parts only warranty no labor.

Upon expiry of one (1) year, Detail K2 will have no further liability related to the product. Detail K2 does not authorize any party, including its authorized distributors or dealers, to offer any other warranty on behalf of Detail K2 Inc.

KOHLER ENGINES – KOHLER CH SERIES ENGINES COMMERCIAL 3 YR PARTS AND LABOR WARRANTY

KOHLER ENGINES – KOHLER SH SERIES ENGINES RESIDENTIAL 2 YR PARTS AND LABOR WARRANTY

see your Kohler manual for specific warranty.

DIESEL TRACTORS – Chassis component parts only, no labor, ENGINES – 1 YR KOHLER WARRANTY

3PT EQUIPMENT – 1-YEAR parts only, Gearbox drive unit 3-year warranty parts only.

DK2 POWER OUTDOOR EQUIPMENT – 1-Year parts only, no labor. 3-year commercial Kohler warranty.

THIS WARRANTY DOES NOT COVER OR APPLY TO:

Damage to the product due to misuse, mishandling and abuse

(b) Improper installation, maintenance and storage

(c) Expendable parts such as nuts and bolts, pins and springs, wiring and switch components, hydraulic hoses and fittings, cutting teeth, cutting chains, cutting blades, throttles, belts and tires.

(d) Normal wear and tear

(e) Consequential damage & incidental damages such as damage to persons or property

PROCEDURE FOR OBTAINING AN RETURN AUTHORIZATION

Within the one (1) year warranty period, the purchaser of the product must notify DK2 of the claimed defect and provide proof of original purchase. At this time the validity of the claim will be determined, and if approved replacement parts will be issued.

A Return Goods Authorization Number (RGA) will be issued if approved for DK2 Automotive products. No returned product will be accepted under warranty unless accompanied by an RGA# issued by Detail K2 Inc.

RESOLUTION FOR A DEFECTIVE PRODUCT

DK2 POWER – Tractors, Chippers, Stump Grinders, Log Splitters, 3pt, and Outdoor Power Equipment.

Call DK2 at **702-331-5353** in Las Vegas between 8am-4pm M-F Pacific Time.

DK2 Snow, Trailer, Rack and Winch Products.

Call DK2 at **888-277-6960** in Burlington Canada between 8am-4pm M-F Eastern Time.