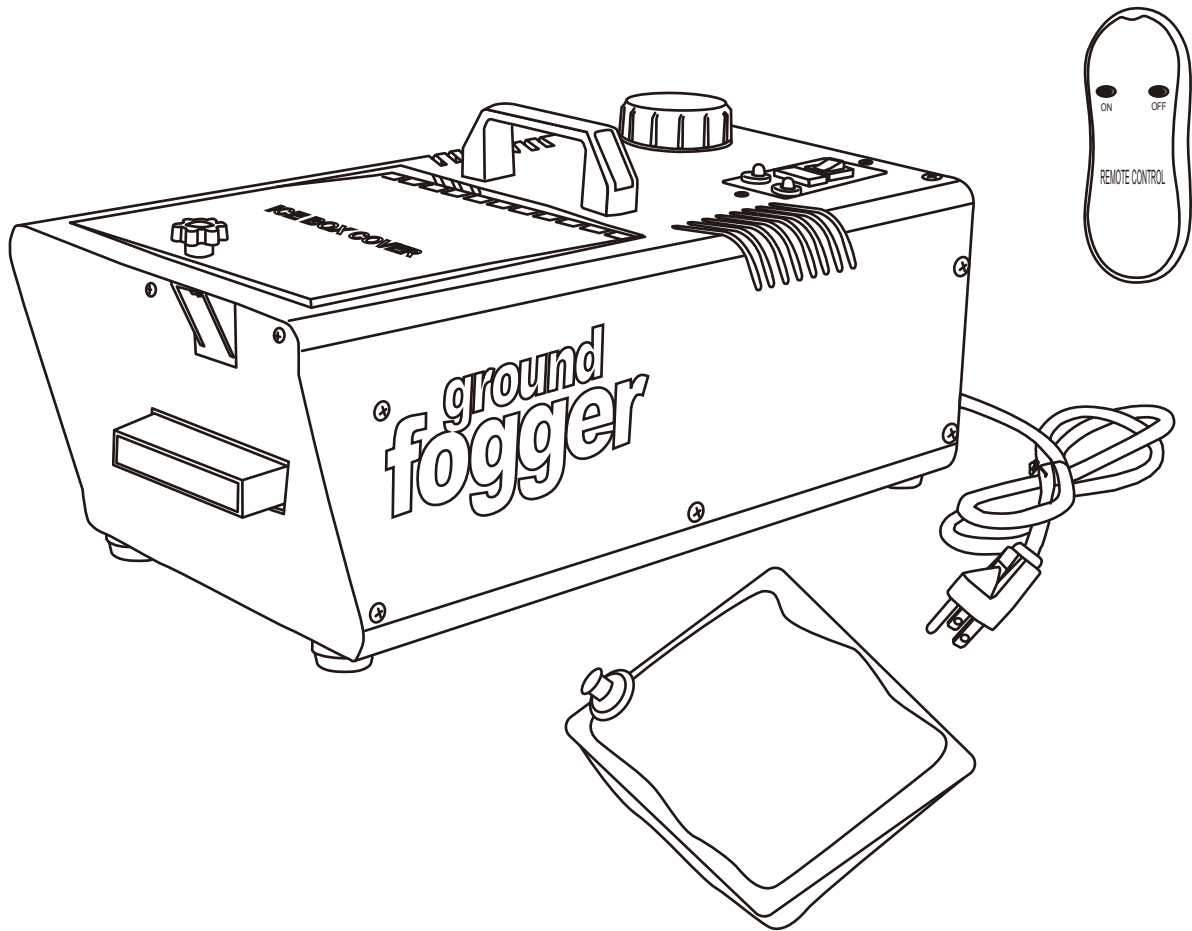




TM

# INSTRUCTION MANUAL



## 400W GROUND FOG MACHINE WITH WIRELESS REMOTE



1-877-527-0313, 8 a.m. to 5 p.m., EST,  
Monday-Friday



info@pan-asian.com.hk.

## **IMPORTANT SAFETY INSTRUCTIONS:**

**THIS ITEM IS NOT A TOY. FOR DECORATIVE USE ONLY. USE ONLY INDOORS AND COVERED OUTDOOR AREAS. NOT FOR CHILDREN UNDER 14 YEARS. READ ALL THE INSTRUCTIONS CAREFULLY BEFORE USE. SAVE THESE INSTRUCTIONS FOR FUTURE REFERENCE.**

### **CAUTION:**

- Risk of burn, fire or electrical shock.
- Please read instruction manual before using.
- Do not immerse in liquid.
- Not for space heating purpose.



**Intertek**  
**5014264**

ETL LISTED

Conforms to UL STD.499  
Certified to CSA STD.C22.2 No.64  
04/2019

### **WARNING:**

To prevent risk of personal injury, fire, and electric shock:

- Never leave unit unattended while plugged in. Unplug when not in use.
- Read all important safety instructions and cautions.
- Connect only to a properly grounded outlet.
- Place product on a flat, level HARD surface to prevent the product from overturning.
- Use only indoors and covered outdoor areas. Keep unit dry; do not expose to rain or moisture. Do not immerse unit.
- Leave enough space for good ventilation. Keep unit cool and away from other objects.
- Do not operate unit without fog liquid.
- Pour fog liquid carefully to avoid spills which could result in electrical shock. Do not use if liquid spills onto unit. Let unit dry completely before plugging in.
- Do not overfill the liquid.
- Keep away from flames and flammable/explosive substances to avoid fire or explosions. Never pour flammable liquids such as gas, perfume etc.. into the fog machine.
- Keep product and fog liquid out of reach of children. Use only under adult supervision.
- Do not spray in the direction of flames or people. Stay at least 20 inches (50cm) from the nozzle at the front of the unit.
- Do not obstruct the nozzle.
- Do not open unit. No user serviceable parts inside, Please refer to your vendor. Only a certified electrician should change the power cord.
- Clean unit before storage to avoid damages.
- A short power supply cord (or short detachable power supply cord) is provided to reduce the risks of becoming entangled in or tripping over a longer cord.
- Extension cords (or longer detachable power supply cords) are available and may be used if care is exercised in their use.

This machine can not be hung up and it must be place on a flat, stable, steady, heat-resistant surface. Keep the machine upright and ensure that the fog is not pointed directly at anyone's face. Always use the machine in a well-ventilated area. Never block or cover the air vents. Keep the machine dry. Never let water or other liquid into the back heating container.

If an extension cord (or a long detachable power-supply cord) is used:

- The marked electrical rating of the detachable power-supply cord or extension cord should be at least as great as the electrical rating of the appliance.
- If the appliance is of the grounded type, the extension cord should be a grounding type 3-wire cord.
- The longer cord should be arranged so that it will not drape over the countertop or tabletop where it can be tripped over, snagged or pulled on unintentionally (especially by children).

## BATTERY USAGE

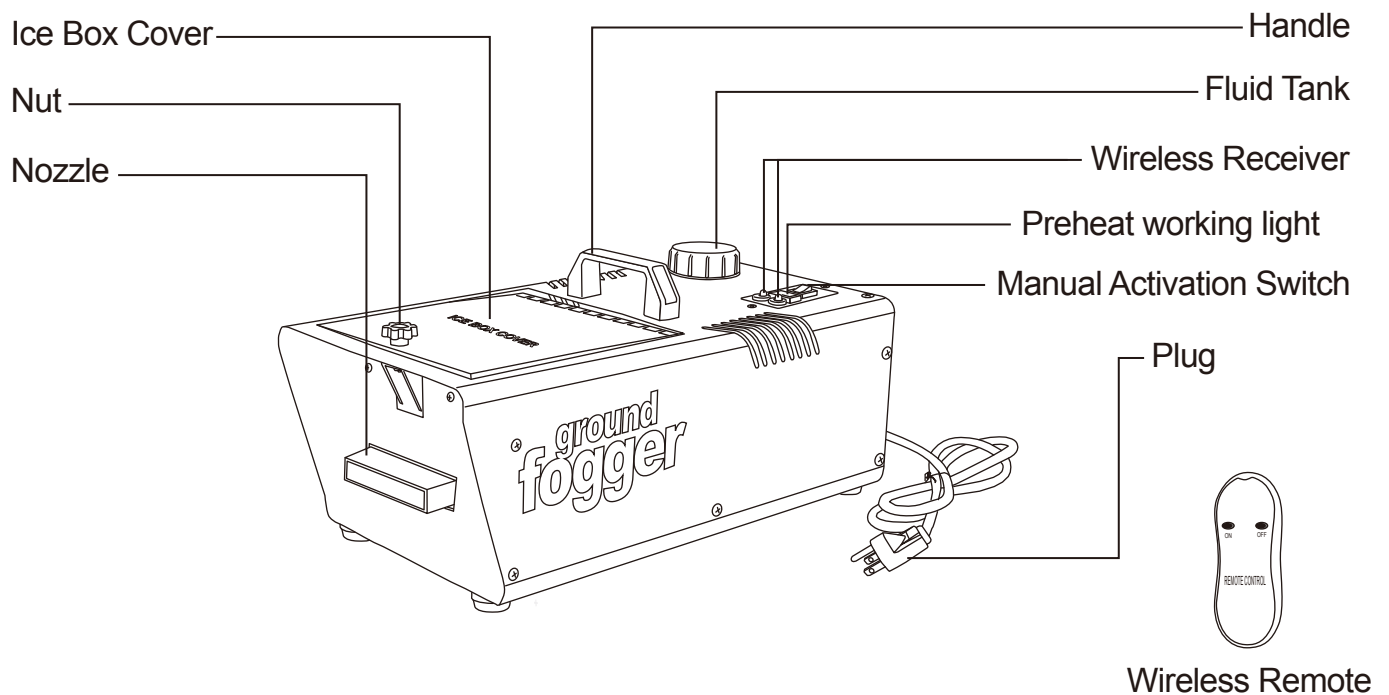
1. Keep these instructions for future reference because they contain important information.
2. Do not mix alkaline and standard (carbon-zinc) batteries.
3. Do not mix old and new batteries.
4. Non-rechargeable batteries are not to be recharged.

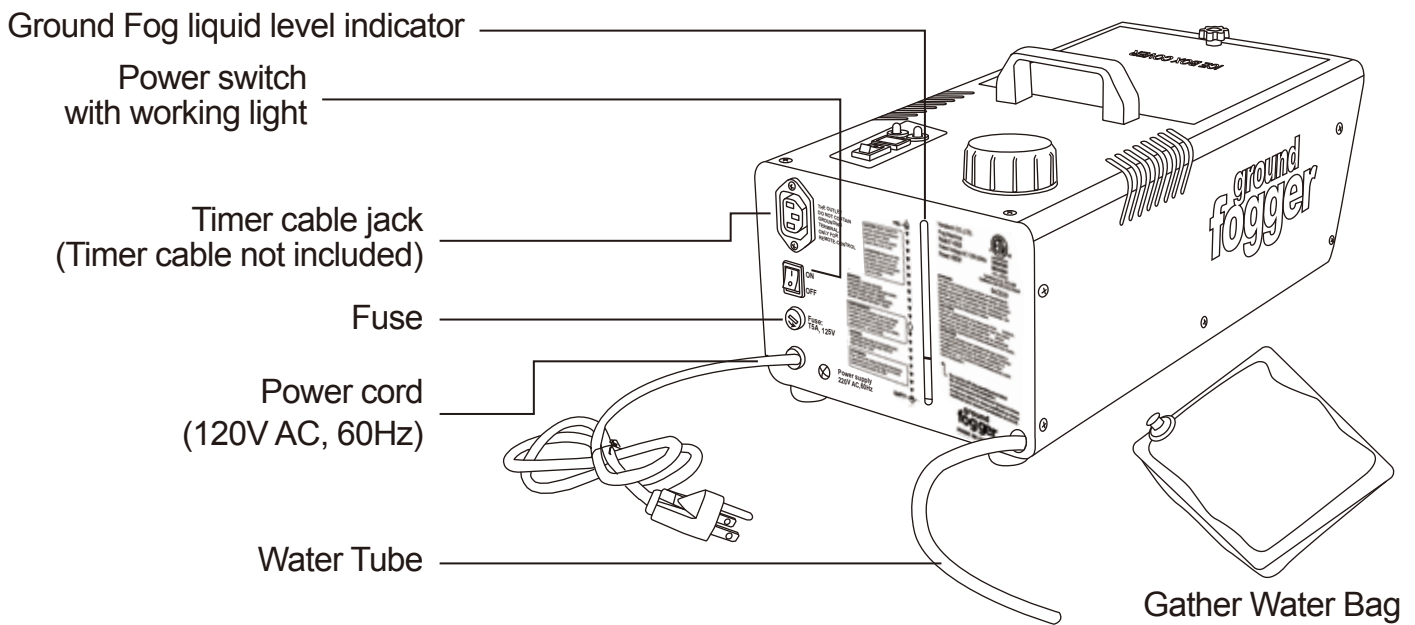
## ADDITIONAL INFORMATION

1. It is normal for condensation to appear on the nozzle of the Fog Machine.
2. A small amount of fog may spray during or after operation.
3. The unit will have to reheat after long bursts of use. The unit will stop operation for a short period in order to heat up to operating temperature again. While this is happening, fog cannot be produced. The light on the Receiver will turn on again when the unit is ready to generate more fog.

## INTRODUCTION:

- Congratulations on the purchase of your new Ground Fog Machine. This unit is supplied with a wireless remote control and a water bag.
- To assist with the care and use of the product we have prepared this short user manual.





## FOG MACHINE TECHNICAL SPECIFICATIONS:

Model: F- 40 GB

Rating Voltage: AC 120V, 60Hz

Power: 400W

Ambient Temperature: 14~ 113°F

Fuse: 5A, 125V

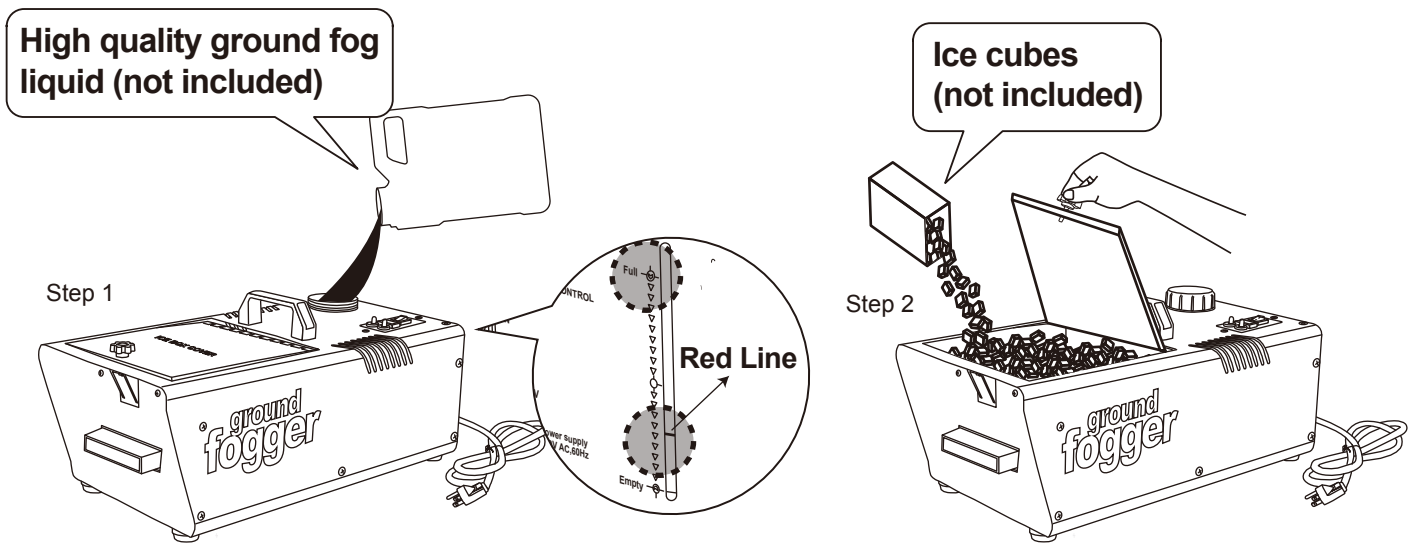
Preheat Time: 2.5~3.5 Minutes

Tank Capacity: 1 Liter / 1.05 Quart

Dimensions: 410 L x 210 W x 190 H mm

16.14 L x 8.26 W x 7.48 H inch

## GENERAL ASSEMBLY AND OPERATION INSTRUCTIONS

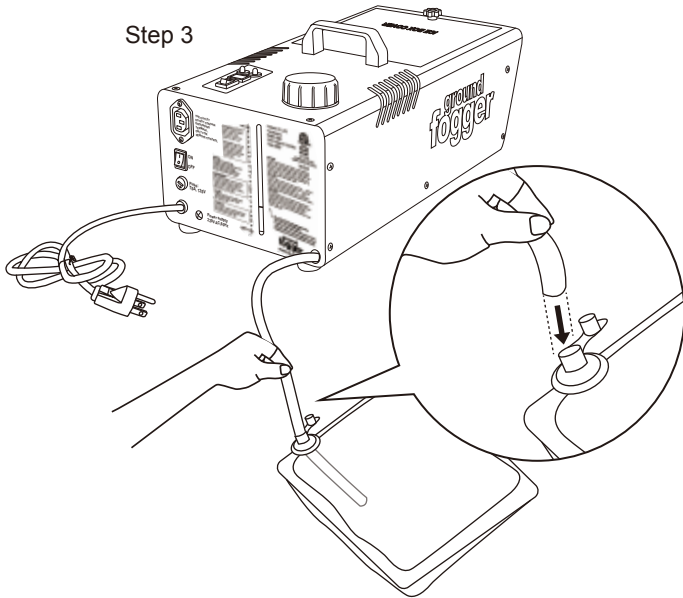


**Step 1: Remove the cap of the fluid tank to fill with high quality ground fog liquid.**  
**NOTE: THE AMOUNT OF FLUID CANNOT EXCEED THE "FULL" MARK ON LEVEL INDICATOR. PLEASE ADD GROUND FOG LIQUID WHEN THE AMOUNT OF LIQUID IN THE "RED LINE" MARK ON LEVEL INDICATOR.**

**Step 2: Loosen the nut on the ice box cover to open. Fill the ice container with ice cubes then close the ice box cover and tighten the nut.**  
**NOTE: THE CAPACITY OF THIS ICE BOX IS APPROXIMATELY 1.9 LITER.**

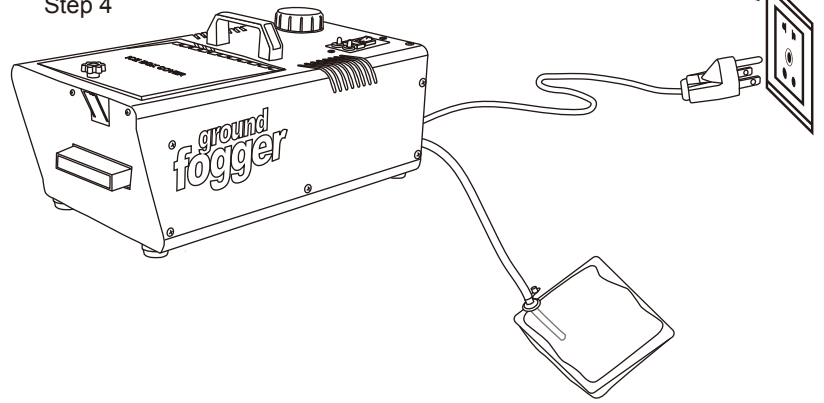
Standard 120V household outlet.

Step 3



**Step 3: Open the cap on the water bag plug and insert the water tube into the water bag. When ice melts into water, water will flow into the water bag.**

Step 4

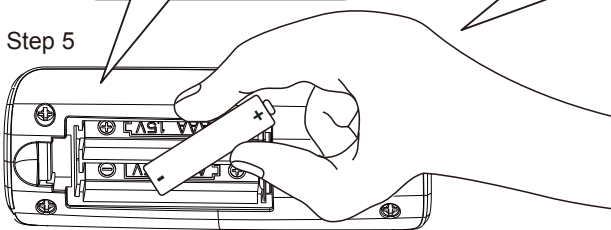


**Step 4: Plug the power supply into a standard 120V household outlet.**

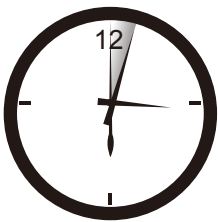
Wireless Remote

Batteries are included

Step 5



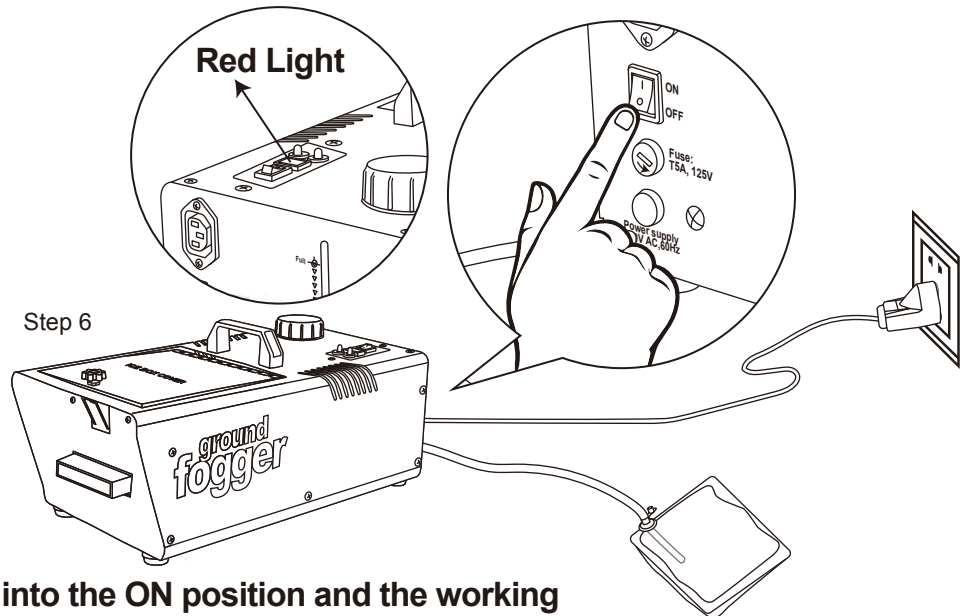
**Step 5: Open battery cover on back of wireless remote. Insert the new 2 X 1.5 V AAA batteries inside. Please observe the correct polarities during installation and follow all battery instructions.**



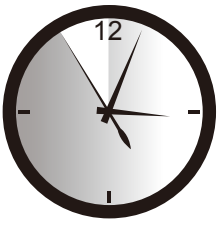
**Warm-up 2.5~3.5 minutes**

Red Light

Step 6



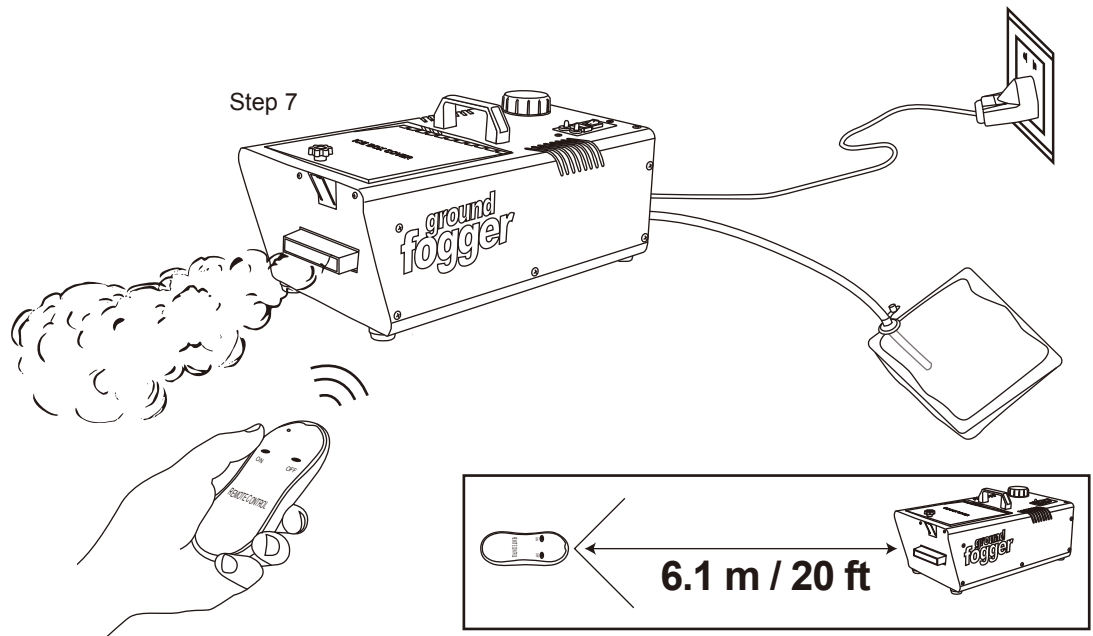
**Step 6: Push the power switch into the ON position and the working light will illuminate. Allow the machine to warm-up 2.5~3.5 minutes. When the warm-up is complete the preheat red light will illuminate, this means the ground fog machine is ready to emit fog.**



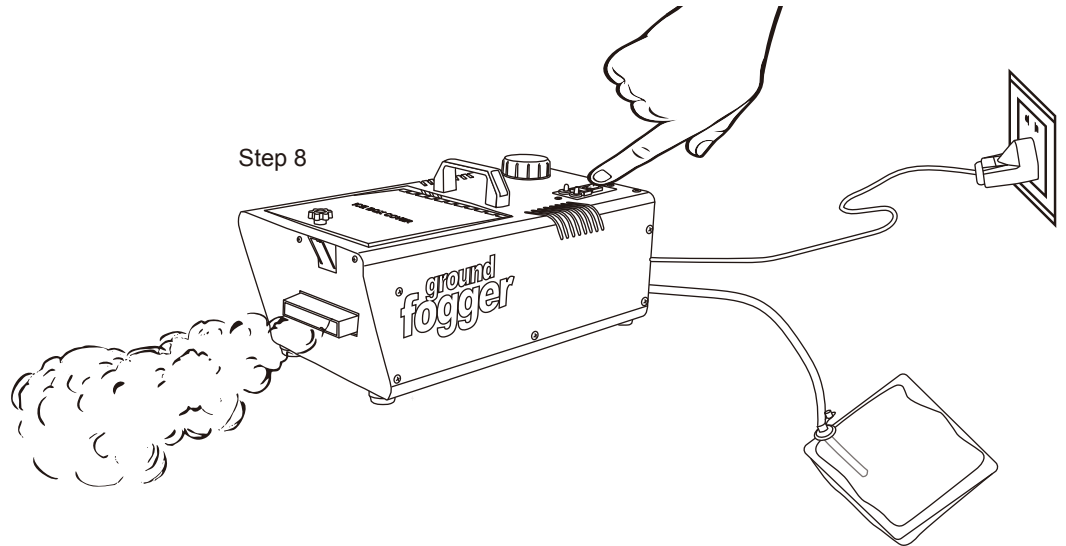
**Spray up Fog  
30~50 Seconds**



**Reheat  
40~60 Seconds**



**Step 7: Wireless Remote Activation:** Point wireless remote towards the wireless receiver dome located on top of the ground fog machine. Press the “ON” button and the ground fog machine will spray fog 30~50 seconds. Press the “OFF” button to stop. The machine will automatically stop when it needs to reheat. Wait for the preheat red light to come on before operating again.



**Step 8: Manual Activation:** Simply press and hold the “Manual Activation Switch” to ON located on the top of the ground fog machine. The ground fog machine will spray fog for 30~50 seconds. Release the switch to return to OFF position. The machine will automatically stop when it needs to reheat, Wait for the preheat red light to come on before operating again.

**IMPORTANT:** Always monitor the liquid level in the fluid tank and the water bag while using the machine. When the fluid tank is empty you should turn off the machine to add ground fog liquid into the tank. When the water bag is full of water you should turn off the machine, empty the water bag and then reinsert the water tube into the water bag.

When not using the ground fog machine please turn off the power switch and unplug the power cord from the outlet. Open the ice box cover to empty any excess ice cubes from the ice container. Empty the water bag.

## REPLACING THE FUSE:

If the Fog Machine does not work at all when it is connected to the power socket, then it is probably that the fuse has been broken, Please replace the fuse as outlined below.

Risk of electric shock and fire, Disconnect from power socket before replacing the fuse.

1. Turn the fuse knob counterclockwise to reveal the fuse.
2. Replace the fuse with the same size and type fuse: 5A, 125V.
3. Place fuse in cover and reinstall by turning clockwise. Be sure not to over tighten.

## MAINTENANCE AND SERVICING

Note: Use of ground fogger liquids not included or those other than HOME DEPOT ground fog liquid are not recommended and may result in blockage, leakage, or other damage to the unit.

## TROUBLE SHOOTING:

Problem	Solution
<b>The ground fog machine does not work</b>	1. Check the plug to ensure it is properly inserted into the outlet. The power switch should be in the ON position and the red indicator light illuminated.
	2. Check the ground fog liquid level. If it is too low, add ground fog liquid according to the level indicator.
	3. The machine requires 2.5 to 3.5 minutes to warm-up. Please allow sufficient time for the machine to warm up properly and for the green pre-heat indicator light to come on.
	4. Check all wire connections are in working ordered and not obstructed.
<b>The wireless remote does not work</b>	1. Check the wireless remote have insert new batteries according to the correct polarity.
	2. Check the wireless remote and the ground fog machine are the correct distance. Make sure the wireless remote and fog machine are within 20ft (6.1m) of each other. The remote will not work properly if this distance is exceeded.
<b>If you are still experiencing problems with the product please call 1-877-527-0313 for instructions.</b>	

## **INSPECTION**

Before each use, check unit for any cracks in the enclosure, remote control, cords and plugs. Make sure there are no exposed wires. Do not use if any of the above conditions are found.

## **CLEANING**

Should you experience low fog output after many hours of continuous operation or after the machine has been idle or in storage for a long time, it is recommended to run a cleaning solution through the system to prevent the accumulation of particles in the heating element.

- a. While the unit is unplugged and cool, empty all Fog Liquid from the machine and replace with a fog machine cleaning solution in the tank. Plug unit in and allow to warm as usual.
- b. Run unit in a well-ventilated area until tank is empty.
- c. Cleaning is now complete.

All fog machines are prone to clogging due to the consistency of Fog Liquid and the high temperatures at which it vaporizes. However, a well maintained machine should provide years of reliable use.

## **STORAGE**

It is important to remove all fluid from the unit when storing for an extended period of time.

1. When the unit is unplugged and cool, empty all Fog Liquid from the machine. Plug in unit and allow to warm as usual.
2. Run unit in a well-ventilated area for 10-seconds to confirm tank is empty and dry.
3. Store on a flat, level surface. Keep in a well-ventilated, cool and dry location.

For best performance, operate unit for 10-minutes every 3 months. Follow the Operation Instructions and storage instructions accordingly.

04252019\_2008693  
MADE IN CHINA