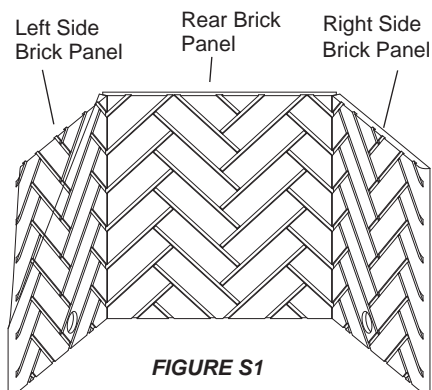


# IMPORTANT SUPPLEMENTAL INSTRUCTIONS

## UNPACKING THE REFRACTORY BRICK LINER

The Refractory Brick liners are found inside the fireplace opening.

1. Remove Refractory Brick panels from the fireplace opening and unwrap the plastic packing from each panel.
2. Arrange panels on top of packing and identify each piece in order of assembly (see **Figure S1**).
3. Check all items for any shipping damage. If damaged, contact Sure Heat Manufacturing's Customer Service Department to obtain replacement parts at (800) 229-5647. Be sure to have your model number and part number ready when you call.
6. Refer to parts list for reference.



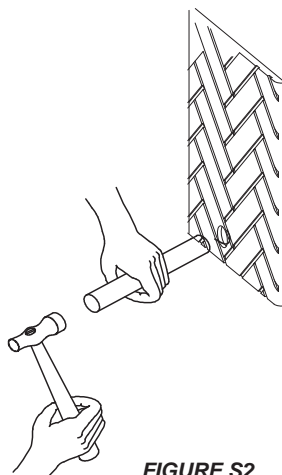
**FIGURE S1**

## INSTALLING THE REFRACTORY

1. Locate round knockout pattern at bottom of Right side brick panel.
2. Place end of a 1" diameter wood dowel or metal pipe inside knockout area and punch out entire recessed area. (see **Figure S2**).

*NOTE: Clean bottom hearth pan of all debris before installing bottom hearth brick to prevent obstruction.*

3. Install refractory panels in order starting with rear panel, and then both side panels. Make sure the front edge of the side panels are located behind the firebrick edge brackets at the front of the fireplace opening.



**FIGURE S2**

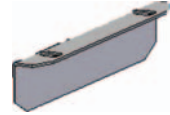
## PARTS LIST

ITEM	DESCRIPTION	VFBC32A	VFBC36A	VFBC42A
1	Firebrick, Left	23321102	23361102	23421102
2	Firebrick, Middle	23321202	23361202	23421202
3	Firebrick, Right	23361302	23361302	23361302
4	Retainer, Firebrick	(5)1N3616	(5)1N3616	(6)1N3616
5	Retainer, Firebrick Top Ct.	(1)1N3216	(1)1N3216	(2)1N3216
6	Screw, Hex Head	(12)49738100	(12)49738100	(16)49738100

# IMPORTANT SUPPLEMENTAL INSTRUCTIONS

## INSTALLING THE REFRACTORY (Continued)

4. Install 2 1N3616 (90 degree angle) side brick retainers (top and bottom) using provided hex head screws (from hard-ware kit). Repeat this step for the other side brick panel.
5. Using the provided 1N3216 brick retainer (see figure S3), retain the top of the center panel of the brick liner (use 1 retainer on **VFBC32A** and **VFBC36A**, 2 on **VFBC42A**).



**Figure S3**

At this point the brick panels should be retained at the top and bottom of the inside of the firebox. You may now refer to the main installation manual provided with this firebox to complete the installation.