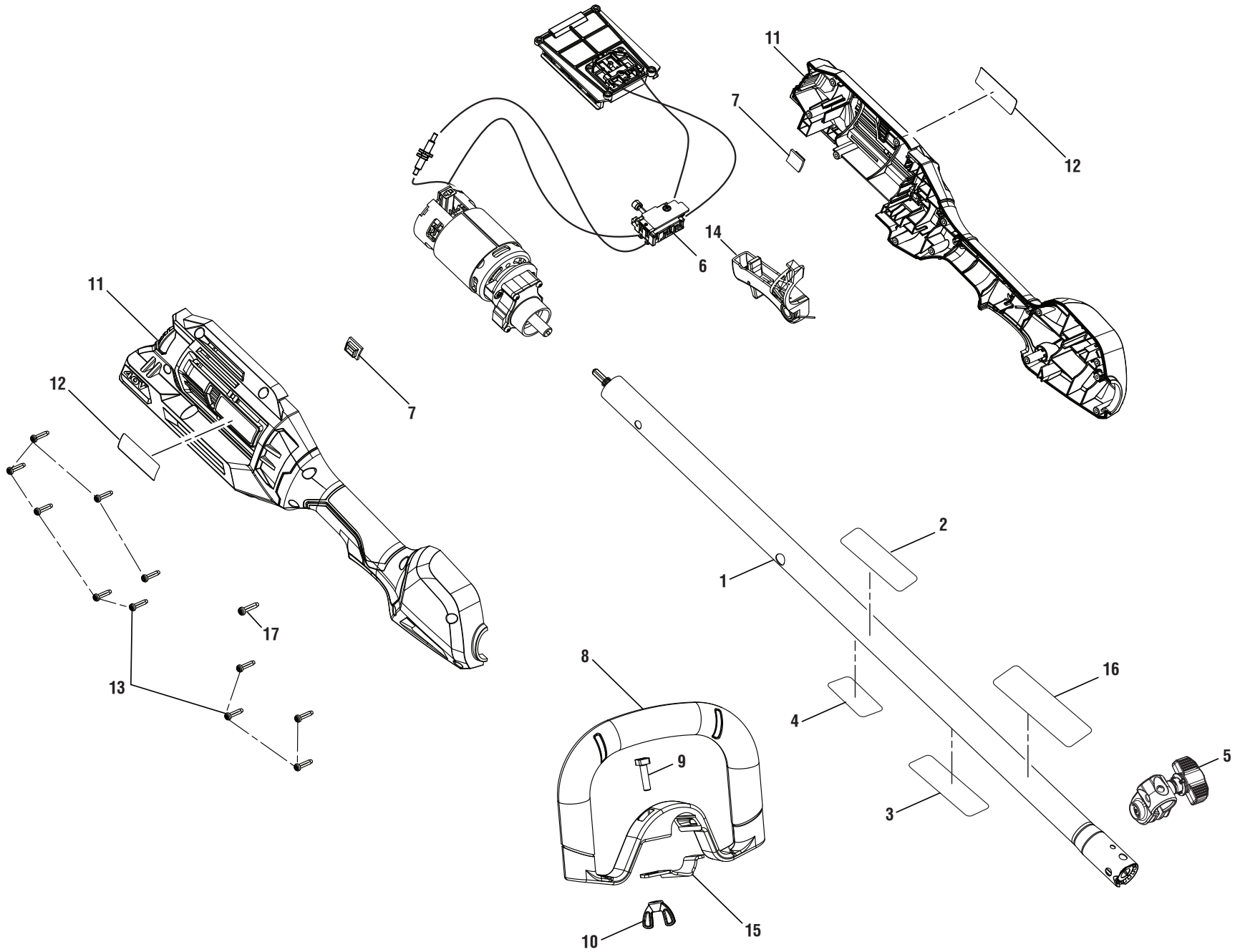


RYOBI
Power Head
Item No. RY40006
Mfg No. 314778001
Repair Sheet

TECHTRONIC INDUSTRIES POWER EQUIPMENT

P.O. Box 1288, Anderson, SC 29622
Phone 1-800-860-4050
www.ryobitools.com

RYOBI POWER HEAD – ITEM NO. RY40006



RYOBI POWER HEAD – ITEM NO. RY40006

The item and manufacturing number will be found on a label attached to the boom assembly. Always mention the item and manufacturing number of your **POWER HEAD** when requesting service or ordering repair parts.

PARTS LIST

KEY NO.	PART NUMBER	DESCRIPTION	QTY
1	314829001	Boom Assembly (Inc. Key Nos. 2-4 and 16)	1
2	941013004	Warning Icon Label	1
3	941013005	Warning Label (French/Spanish)	1
4	941588302	Data Label	1
5	314562001	Boom Clamp Assembly	1
6	314832001	Motor, Gear Box, Switch & Contact Plate Assembly	1
7	570115001	Rubber Plate	2
8	308056009	Front Handle Assembly (Inc. Key Nos. 9-10 & 15)	1
9	660857001	Screw (1/4-20 x 40 mm, Hex Hd.)	1
10	518949001	Wing Nut (1/4-20)	1
11	314830001	Rear Handle Assembly (Inc. Key No. 12)	1
12	940705432	Logo Label	2
13	661864007	Screw (M4 x 18 mm, T15 Torx Pan Hd.)	11
14	314833001	Switch Trigger Assembly	1
15	639167001	Assist Handle Clamp	1
16	941851150	Attachment Label	1
17	660031017	Screw (M3.5 x 16 mm, T10 Torx Pan Hd.)	1

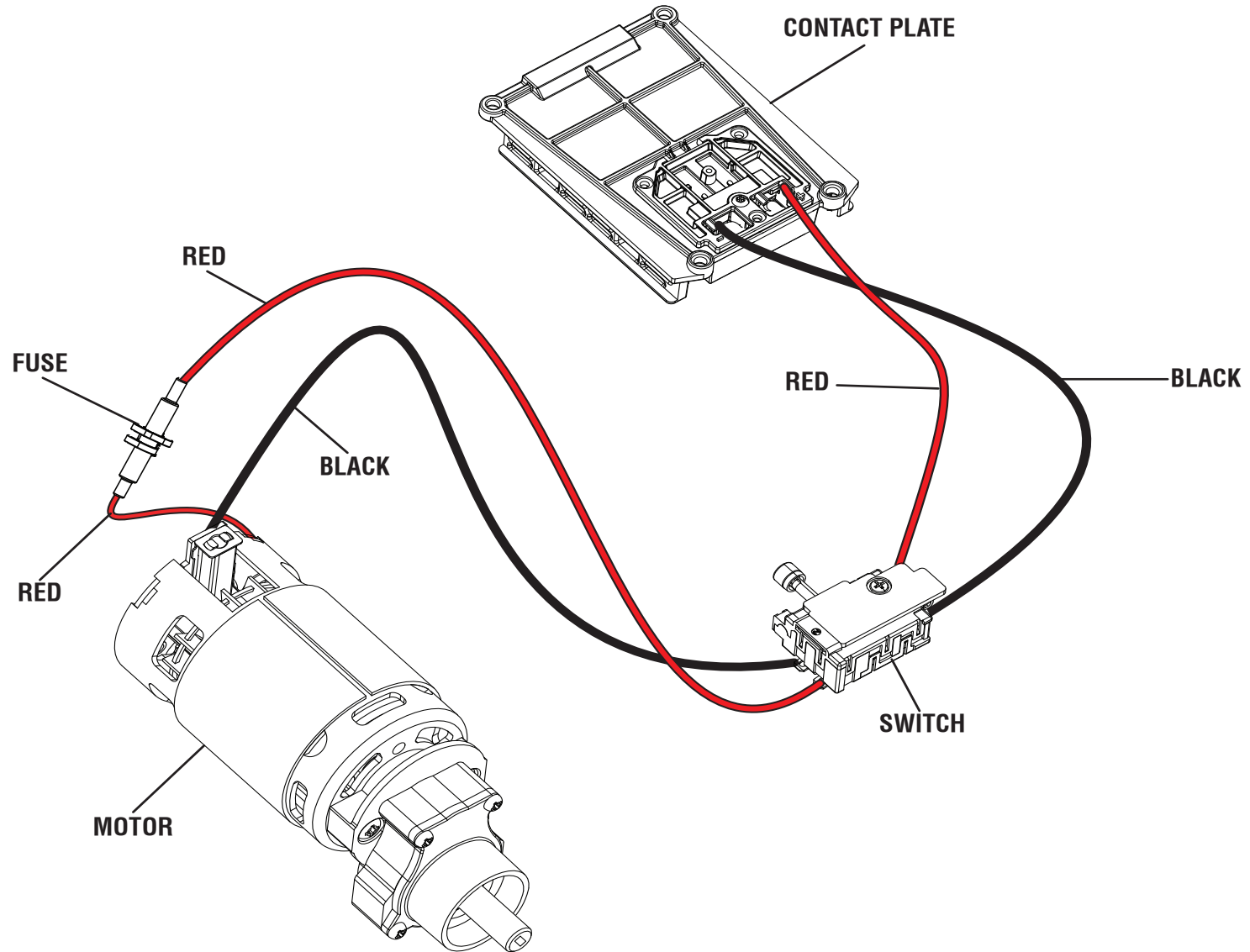
Not Shown

995000659 Operator's Manual

2-18-18

(Rev:02)

RYOBI POWER HEAD – ITEM NO. RY40006



WIRING DIAGRAM

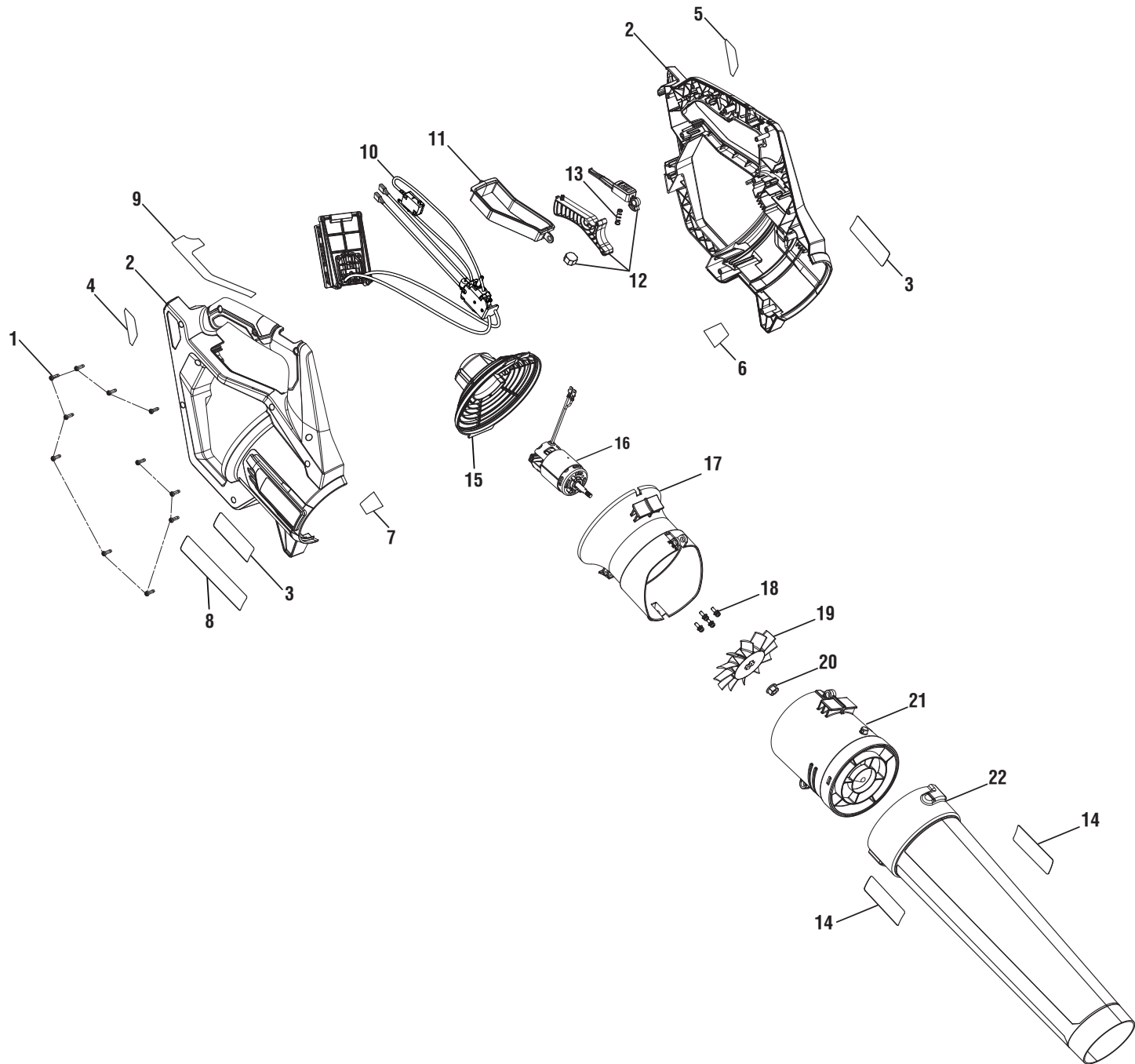
RYOBI
40 Volt Blower
Item Nos. RY40406/RY40406VN/RY40406VNM
Mfg. Nos. 107508001/107508006/107508101
Repair Sheet

TECHTRONIC INDUSTRIES POWER EQUIPMENT

P.O. Box 1288, Anderson, SC 29622 USA

1-800-860-4050 www.ryobitools.com

RYOBI BLOWER – ITEM NOS. RY40406/RY40406VN/RY40406VNM



RYOBI BLOWER – ITEM NOS. RY40406/RY40406VN/RY40406VNM

PARTS LIST

KEY NO.	PART NUMBER	DESCRIPTION	QTY
1	661817001	Screw (M4 x 14 mm, T15 Torx Pan Hd.)	11
2	314930001	Handle Housing Assembly (Inc. Key Nos. 3-9, RY40406).....	1
	205155001	Handle Housing Assembly (Inc. Key Nos. 3-9, RY40406VN).....	1
	205210001	Handle Housing Assembly (Inc. Key Nos. 3-9, RY40406VNM)	1
3	940304771	Logo Label	2
4	940851472	40V Label (Right).....	1
5	940851475	40V Label (Left)	1
6	941588304	Data Label (Left, RY40406)	1
	941588331	Data Label (Left, RY40406VN)	1
	940851530	Data Label (Left, RY40406VNM)	1
7	941588305	Data Label (Right, RY40406).....	1
	941588328	Data Label (Right, RY40406VN)	1
	941588371	Data Label (Right, RY40406VNM)	1
8	940851473	Warning Label (Spanish & French).....	1
9	940657324	Warning Icon Label	1
10	314929001	Battery Holder & Switches Assembly	1
11	537643001	Wire Cover	1
12	205103001	Trigger Switch Assembly.....	1
13	671073001	Compression Spring	1
14	940851495	Jet Fan Logo Label	2
15	537640001	Inlet Housing Cover.....	1
16	742510001	Motor (40 volt).....	1
17	537639001	Motor Mounting Housing	1
18	660917004	Screw (M5 x 11 mm, T25 Torx Pan Hd.)	4
19	537642001	Fan	1
20	678128002	Lock Nut (M8).....	1
21	314928001	Outlet Housing Assembly	1
22	314931001	Blower Tube Assembly (Inc. Key No. 14)	1

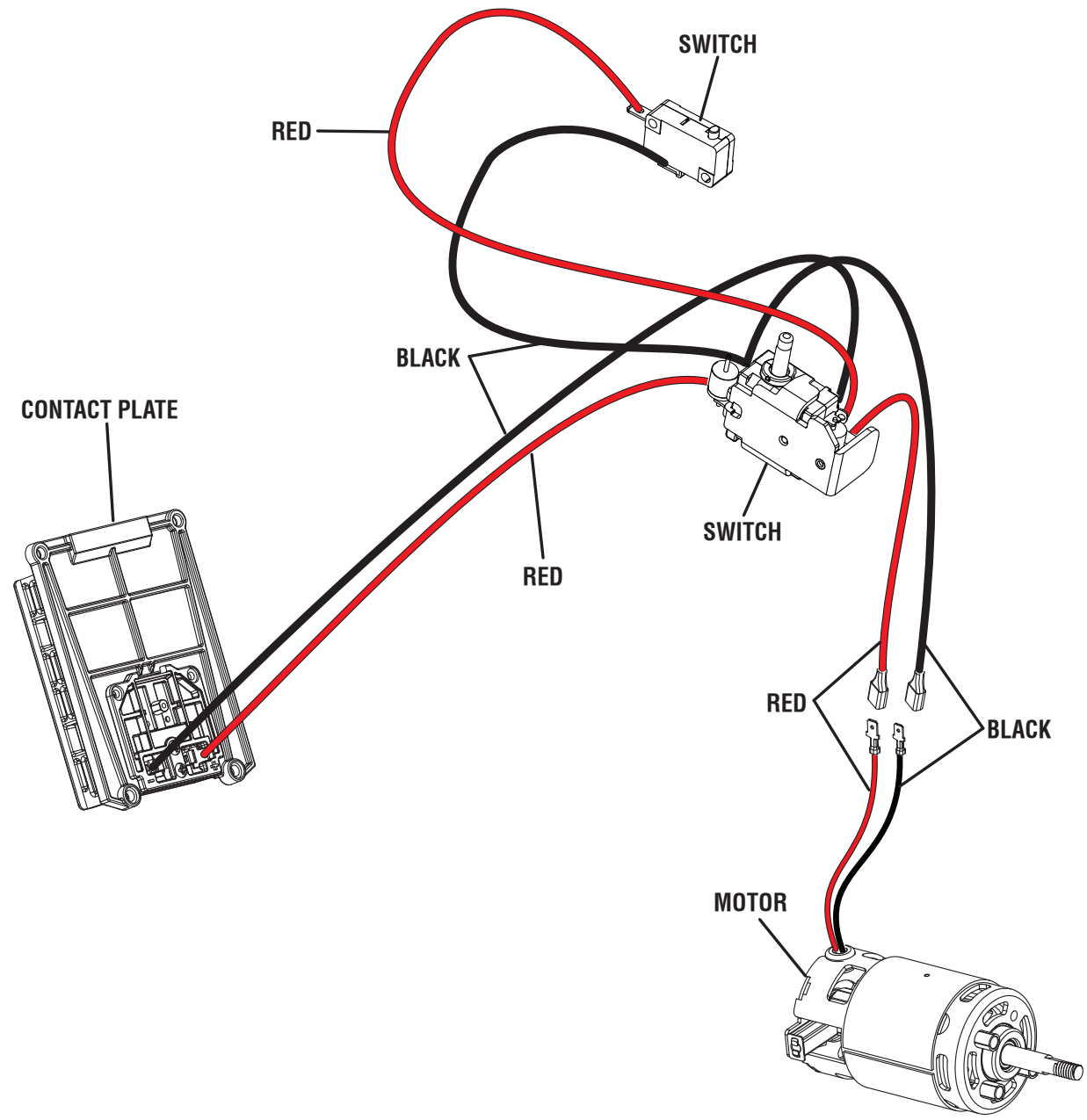
Not Shown

995000714

Operator's Manual

4-3-19

(Rev:04)



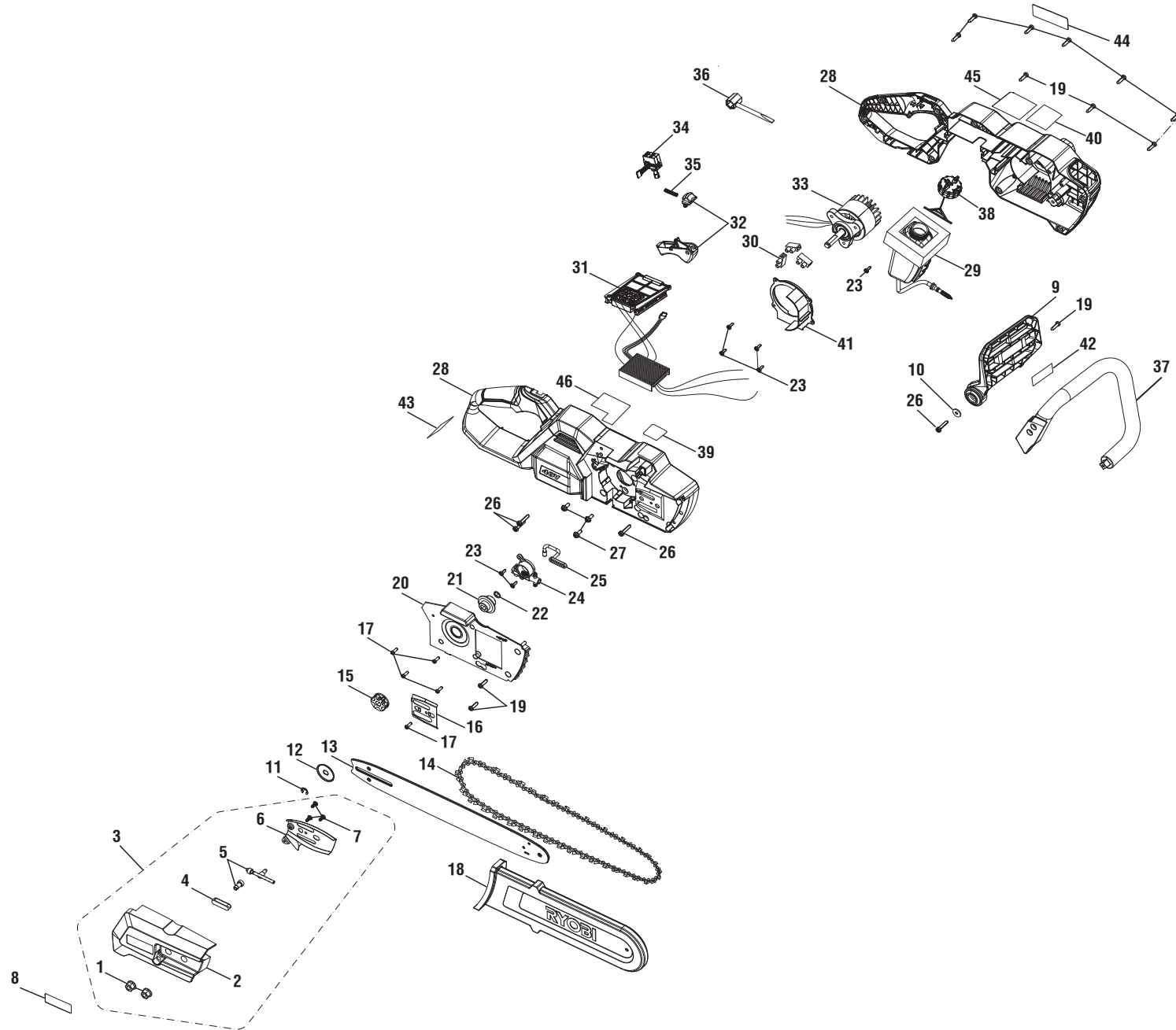
WIRING DIAGRAM

RYOBI
40 VOLT CHAIN SAW
Mfg. No. 107507001
Item No. RY40503
REPAIR SHEET

TECHTRONIC INDUSTRIES POWER EQUIPMENT

P.O. Box 1288, Anderson, SC 29622 USA
1-800-860-4050 • www.ryobitools.com

RYOBI 40 VOLT CHAIN SAW – MODEL NUMBER RY40503



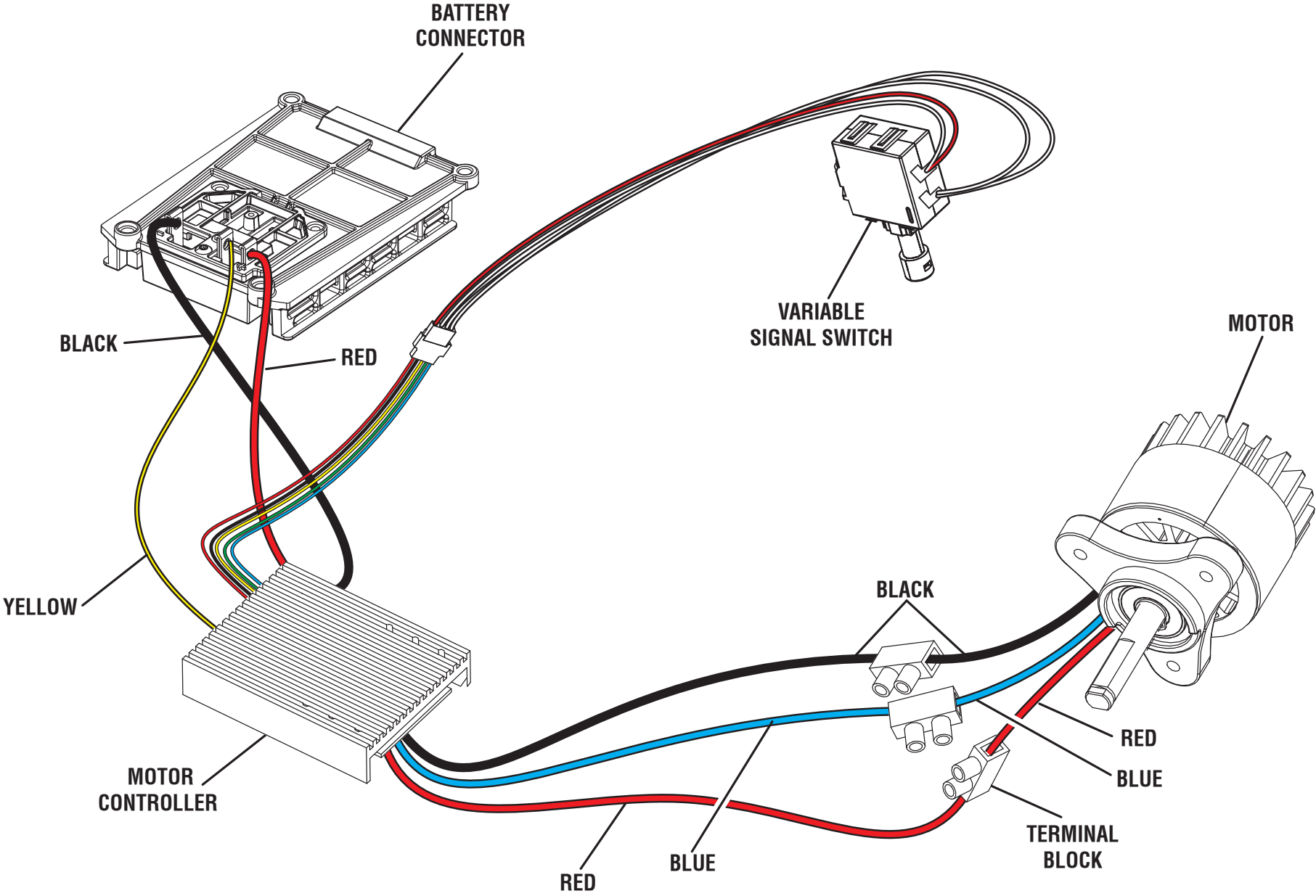
RYOBI 40 VOLT CHAIN SAW – MODEL NUMBER RY40503

The model number will be found on a label attached to the motor housing. Always mention the model number in all correspondence regarding your **CHAIN SAW** or when ordering repair parts.

PARTS LIST

KEY NO.	PART NUMBER	DESCRIPTION	QTY	KEY NO.	PART NUMBER	DESCRIPTION	QTY
1	678339003	Hex Nut (5/16-18)	2	26	662053001	Screw (M5 x 25, T25 Torx Pan Hd.)	4
2	205119001	Bar Cover (Inc. Key No. 8)	1	27	662052002	Screw (M5 x 8 mm, T25 Torx Pan Hd.)	3
3	205118001	Bar Cover Assembly (Inc. Key Nos. 1-2 & 4-8)	1	28	205116001	Housing Assembly (Inc. Key Nos. 39-40 & 43-46)	1
4	563443001	Rubber Plate	1	29	314746001	Oil Tank Assembly	1
5	205120001	Driving Adjustment Gear Assembly	1	30	900876003	Terminal Block	3
6	658138001	Guide Plate	1	31	314747001	Motor Controller and Battery Connector Assembly	1
7	660922001	Screw (M4 x 12 mm, T20 Torx Pan Hd.)	3	32	205117001	Switch Trigger & Lock Out Button Assembly	1
8	941851104	Bar Cover Logo Label	1	33	742089004	Motor	1
9	205115001	Guard Assembly (Inc. Key No. 42)	1	34	760579005	Switch	1
10	638988001	Washer	1	35	694143001	Spring	1
11	636159001	E-ring	1	36	612330001	Wrench	1
12	635367001	Cap Washer	1	37	537276001	Front Handle	1
13	314675001	Bar (14 in.)	1	38	306888001	Oil Tank Cap Assembly	1
14	682006004	Chain (14 in.)	1	39	941851111	Warning Icon Label (Right)	1
15	612313001	Sprocket	1	40	941851110	Warning Icon Label (Left)	1
16	635335001	Guide Bar Plate	1	41	537280001	Volute Cover	1
17	662083001	Screw (M4 x 12 mm, T20 Torx Pan Hd.)	5	42	941851105	Logo Label	1
18	580491001	Scabbard	1	43	941851106	Data Label	1
19	662051001	Screw (M5 x 19 mm, T20 Torx Pan Hd.)	12	44	941851102	Motor Side Logo Label	1
20	537277001	Cover Housing	1	45	941851109	Warning Label (English/Spanish, Left)	1
21	537485001	Oil Pump Drive	1	46	941851108	Warning Label (English/French, Right)	1
22	658198001	Washer	1	Not Shown:			
23	660608001	Screw (M4 x 12 mm, T-20 Torx Pan Hd.)	7	995000684	Operator's Manual		
24	309516002	Oil Pump	1	12-18-18			
25	565069001	Oil Output Tube	1	(Rev:01)			

RYOBI 40 VOLT CHAIN SAW – MODEL NUMBER RY40503

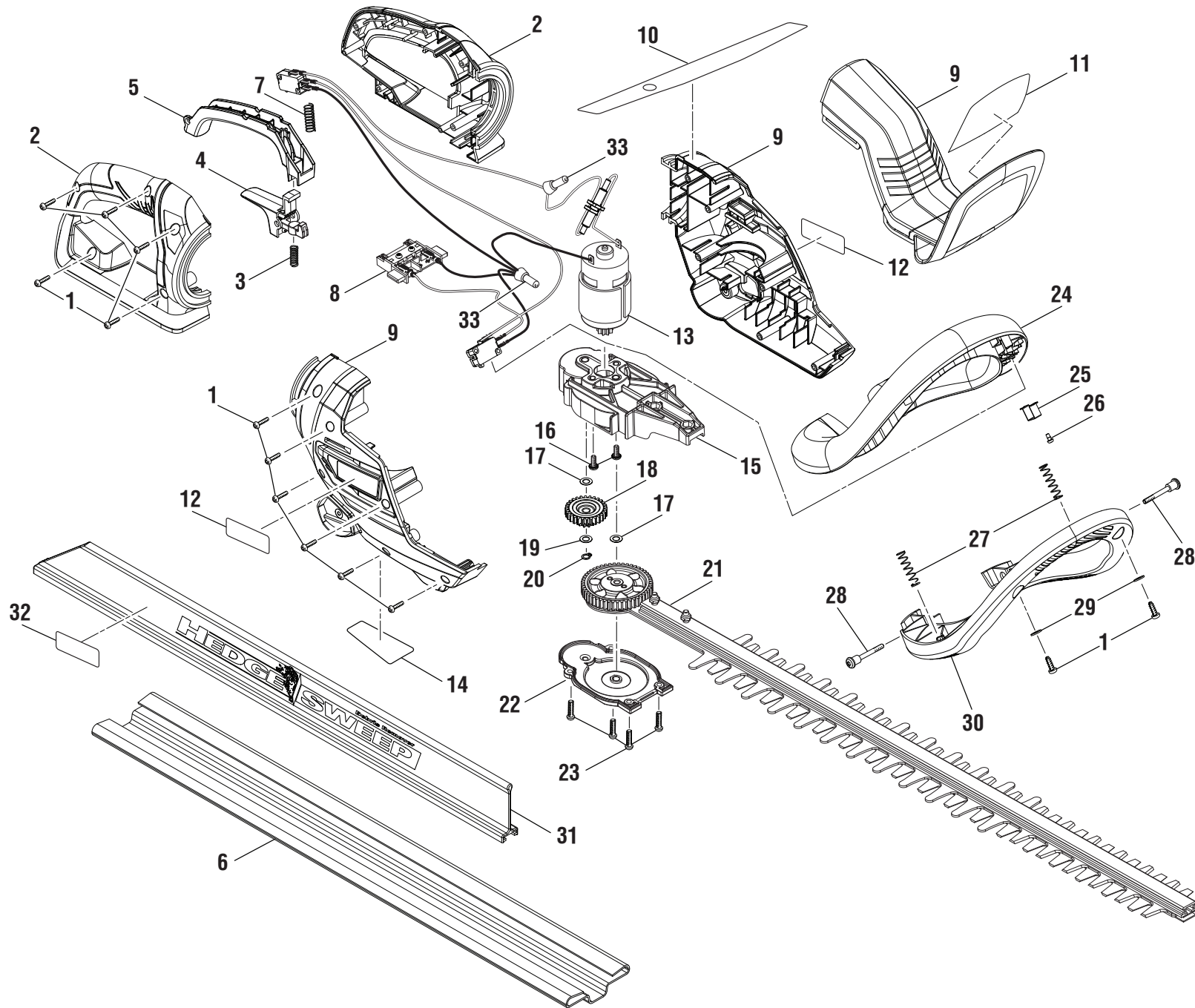


WIRING DIAGRAM

RYOBI
40 Volt
Hedge Trimmer
Model No. RY40602
Mfg. No. 107273001
Repair Sheet

ONE WORLD TECHNOLOGIES, INC.
P.O. Box 1288, Anderson, SC 29622 • Phone 1-800-860-4050
www.ryobitools.com

RYOBI 40 VOLT HEDGE TRIMMER – MODEL NO. RY40602



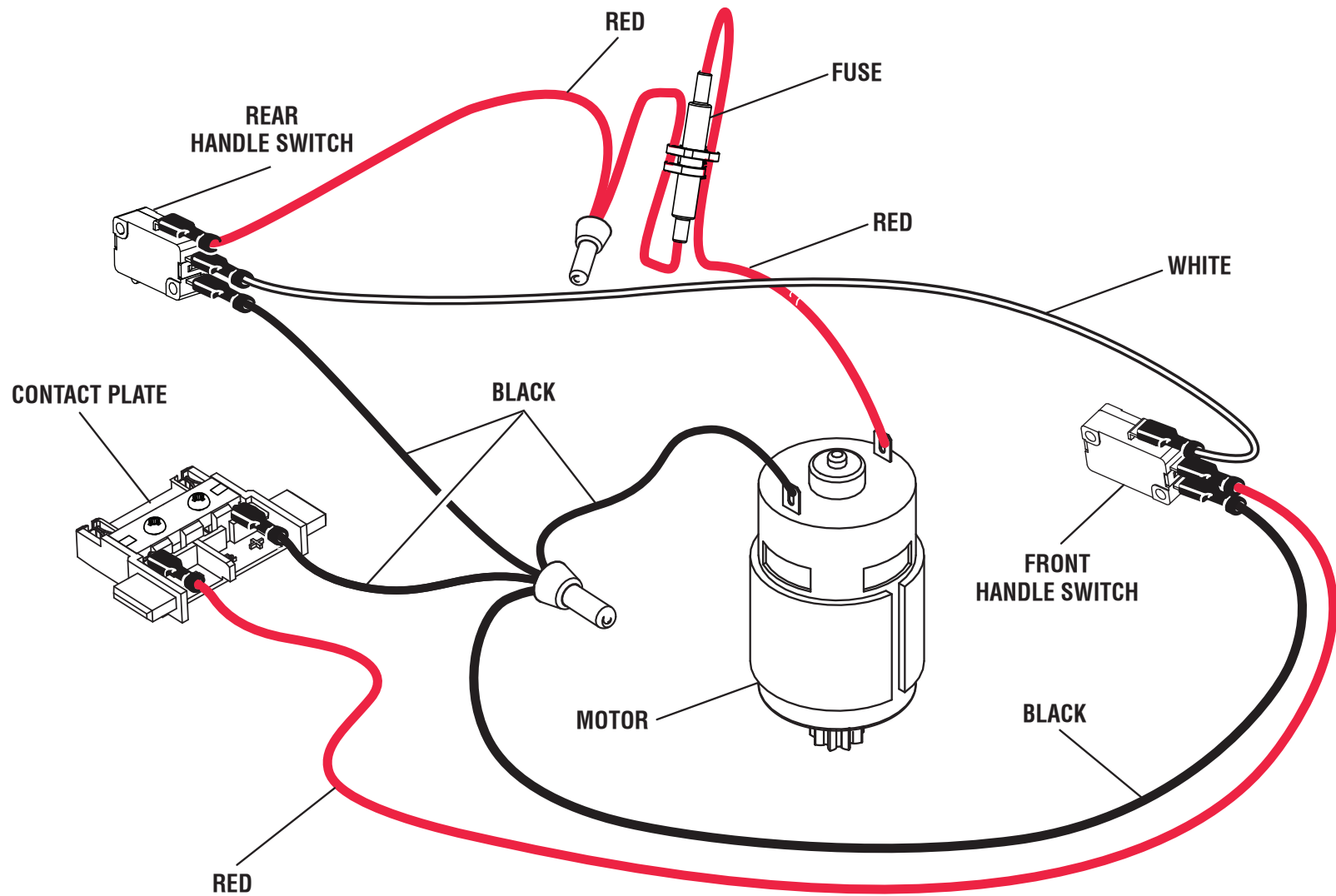
RYOBI 40 VOLT HEDGE TRIMMER – MODEL NO. RY40602

The model number will be found on a label attached to the motor housing. Always mention the model number in all correspondence regarding your Hedge Trimmer or when ordering replacement parts.

PARTS LIST

KEY NO.	PART NUMBER	DESCRIPTION	QTY	KEY NO.	PART NUMBER	DESCRIPTION	QTY
1	661817002	Screw (M4 x 13.5 mm, T15 Torx Pan Hd.).....	13	19	638623005	Washer (OD10 x 5.3ID x 0.5t)	1
2	205094001	Rear Handle Assembly	1	20	679048001	Retaing Ring.....	1
3	695164001	Compression Spring	1	21	205096001	Blade Assembly (24 in.).....	1
4	311716001	Lock-off Trigger Assembly	1	22	535297001	Gear Case Cover	1
5	529765001	Trigger	1	23	660208052	Screw (M4 x 16 mm, Pan Hd.).....	4
6	528341001	Scabbard.....	1	24	526800001	Front Handle	1
7	679055008	Compression Spring	1	25	639109001	Switch Bracket	1
8	205100001	Switch and Contact Plate Assembly (Inc. Key Nos. 13 and 33)	1	26	660203073	Screw (M3 x 6 mm, Pan Hd.)	1
9	205095001	Motor Housing Assembly (Inc. Key Nos. 10-12 & 14)	1	27	679055009	Compression Spring	2
10	941589008	Angle Adjustment Label.....	1	28	660137014	Screw (M4 x 38 mm, T20 Torx Pan Hd.)	2
11	941589006	Warning Label	1	29	690969001	Washer (OD10 x ID4.2 x 1t)	2
12	941589005	Logo Label	2	30	526801001	Front Handle Cover	1
13	205099001	Motor Assembly	1	31	205101001	Hedge Sweep (Inc. Key No. 32).....	1
14	941589007	Data Label	1	32	941769001	Warning Label	1
15	535298001	Gear Case	1	33	790009004	Wire Connector	2
16	660137001	Screw w/Lock Washer (M4 x 12 mm, Pan Hd.).....	2	Not Shown: 995000583 Operator's Manual 1-11-19 (Rev:03)			
17	670914001	Washer (M6)	2				
18	312379001	Middle Gear Assembly	1				

RYOBI 40 VOLT HEDGE TRIMMER – MODEL NO. RY40602



WIRING DIAGRAM