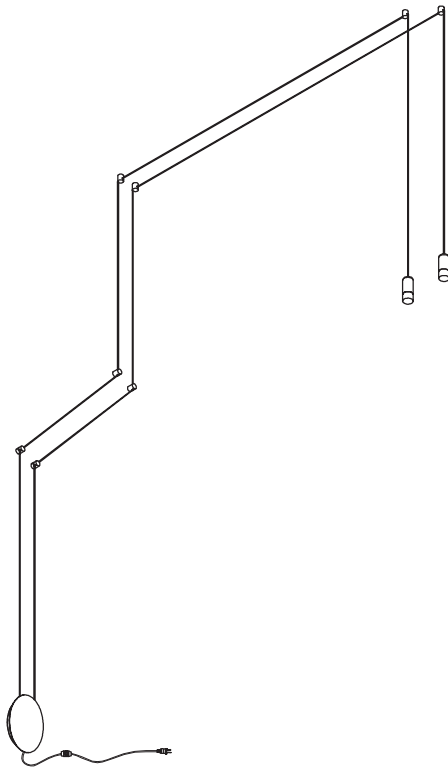




Installation Guide



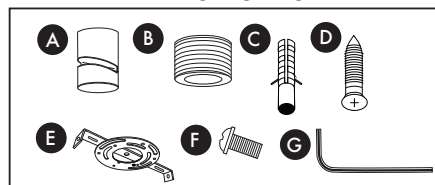
LED INFO & WARNINGS

- Please read and comprehend the entire manual before attempting to assemble, operate, or install the product.
 - Make sure that you have all necessary parts by checking the parts list. If any part is missing or damaged, please contact **VONN Lighting Customer Service at 888-604-8666** for a replacement.
 - All parts must be used as indicated in these instructions. Do not substitute any parts, leave parts out, or use any parts that are worn or broken.
 - Inspect the LED fixture prior to installation to make sure that it has not been damaged during shipping.
 - Please handle the LED light with care when unpacking. Do not apply pressure to the LED's, do not open any factory sealed compartments, and do not touch the LEDs with your hands.
 - Optional plug-in or hard wired installation.
 - Do not remove or replace VONN manufactured driver that is provided with the fixture.
-  **DO NOT CUT WIRES**  attached to the fixture under any circumstance. Cutting wires will **VOID** your warranty. Excess cable should be neatly looped and tucked into the canopy.

VONN Lighting
Model: VEW18002

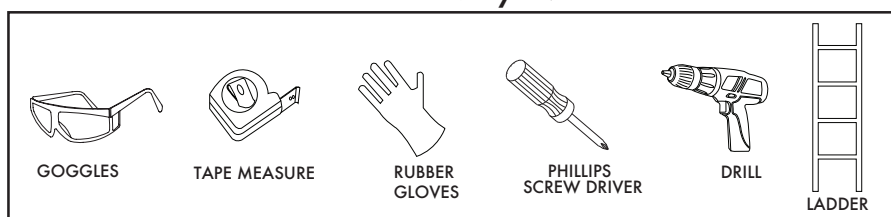


Parts List

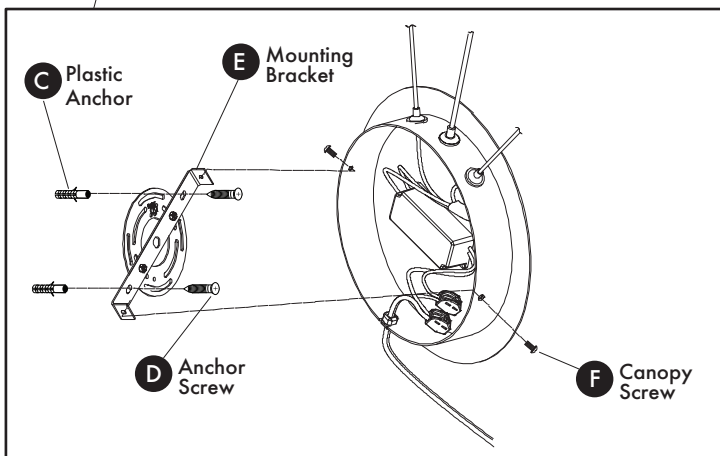
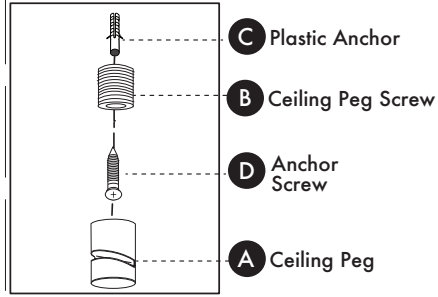
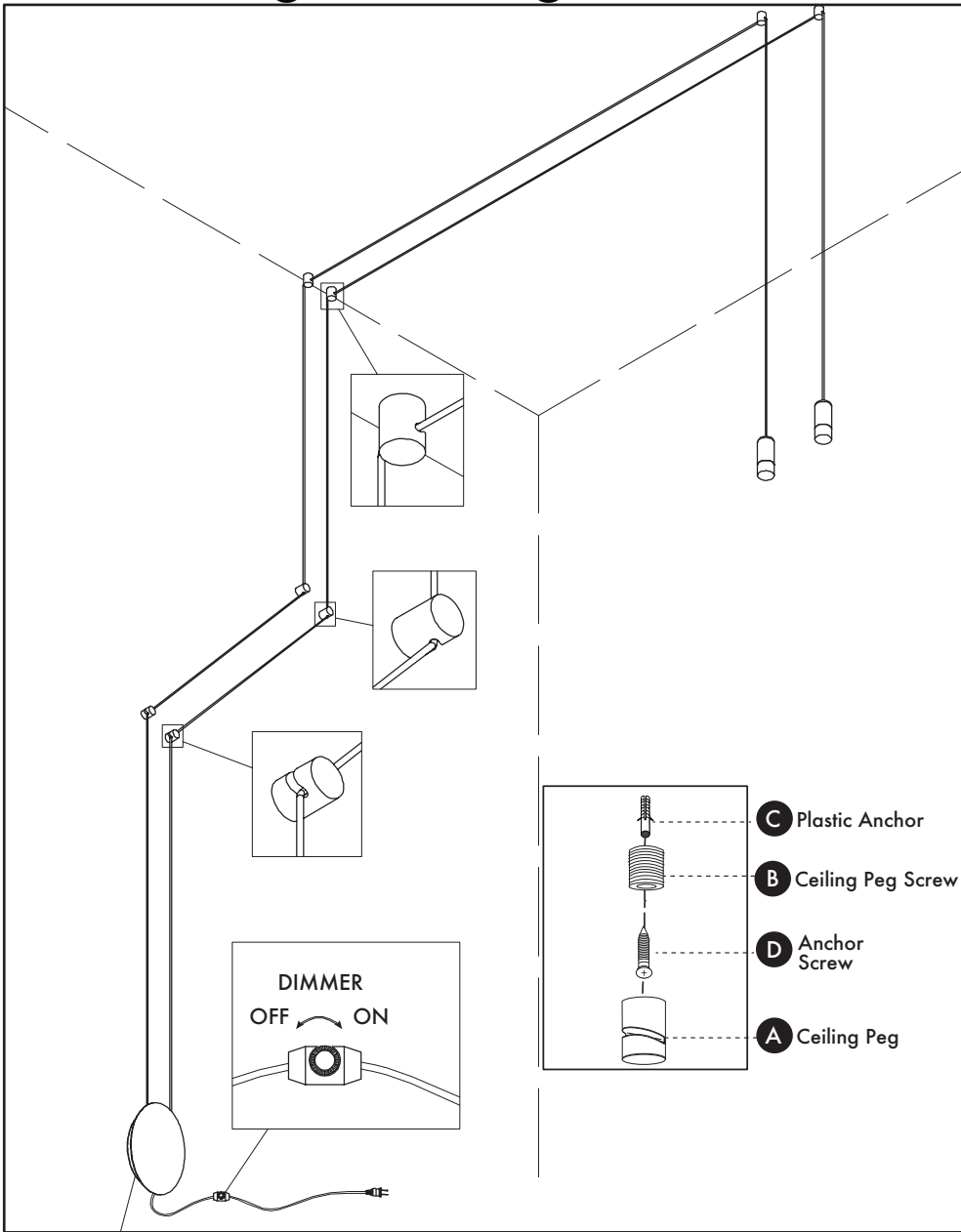


- A. Ceiling Peg x 8
- B. Ceiling Peg Screws x 8
- C. Plastic Anchors x 12
- D. Anchor Screws x 12
- E. Mounting Bracket
- F. Canopy Screw
- G. Hex Wrench

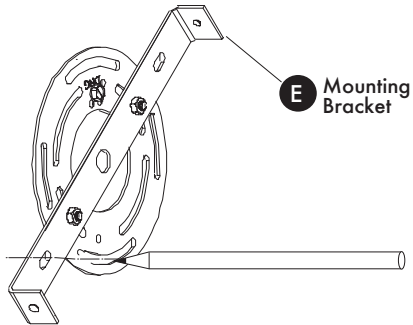
Tools You May Need



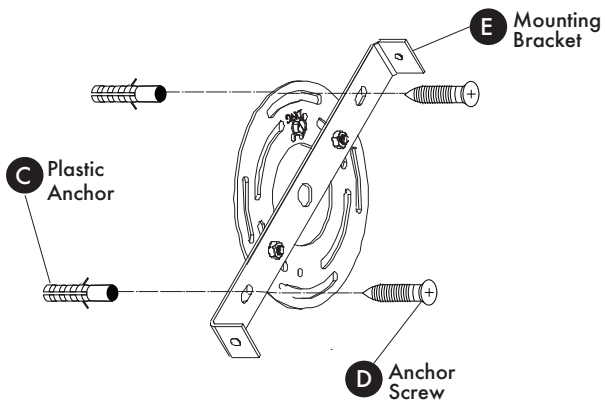
Fixture Diagram - Plug In



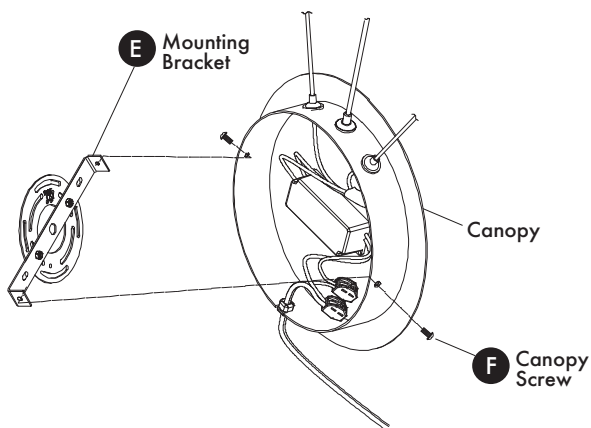
Step 1. Install Canopy



Remove mounting bracket (E) from fixture. Raise mounting bracket (E) to wall and mark location for plastic anchors (C). Drill hole for plastic anchors (C) and insert in wall.

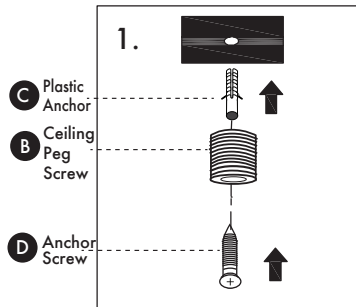
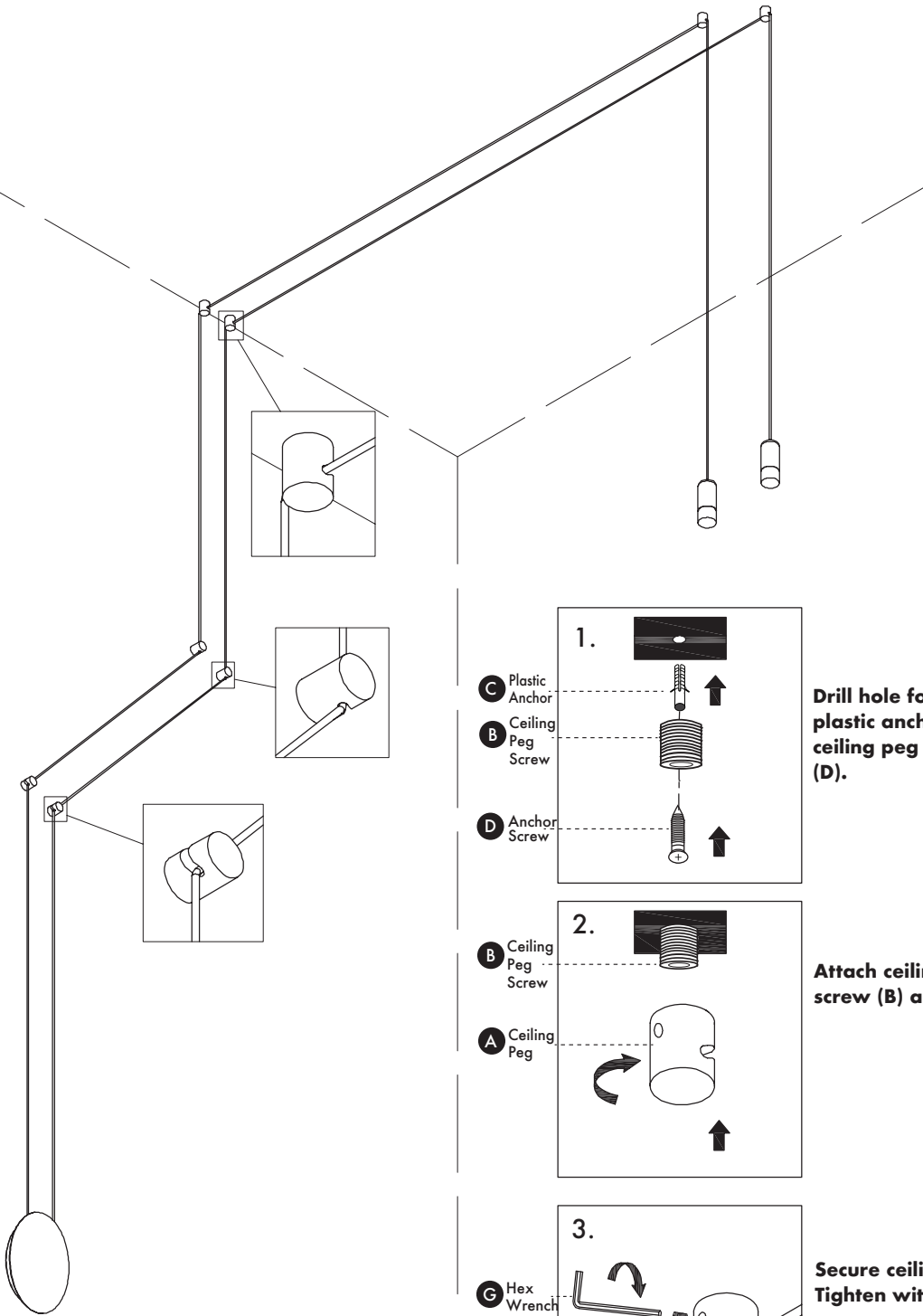


Secure mounting bracket (E) with anchor screws (D).

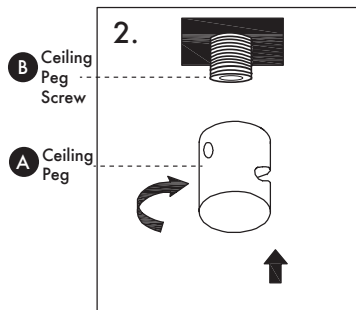


Attach canopy to mounting bracket (E). Secure canopy with canopy screws (F).

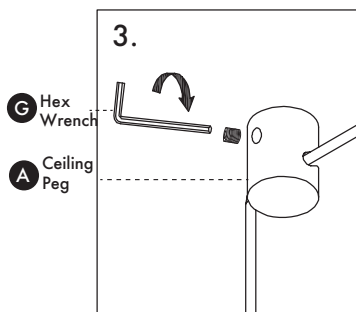
Step 2. Install Wire Expression



Drill hole for plastic anchors (C). Insert plastic anchors (C) into hole. Secure ceiling peg screw (B) with anchor screw (D).



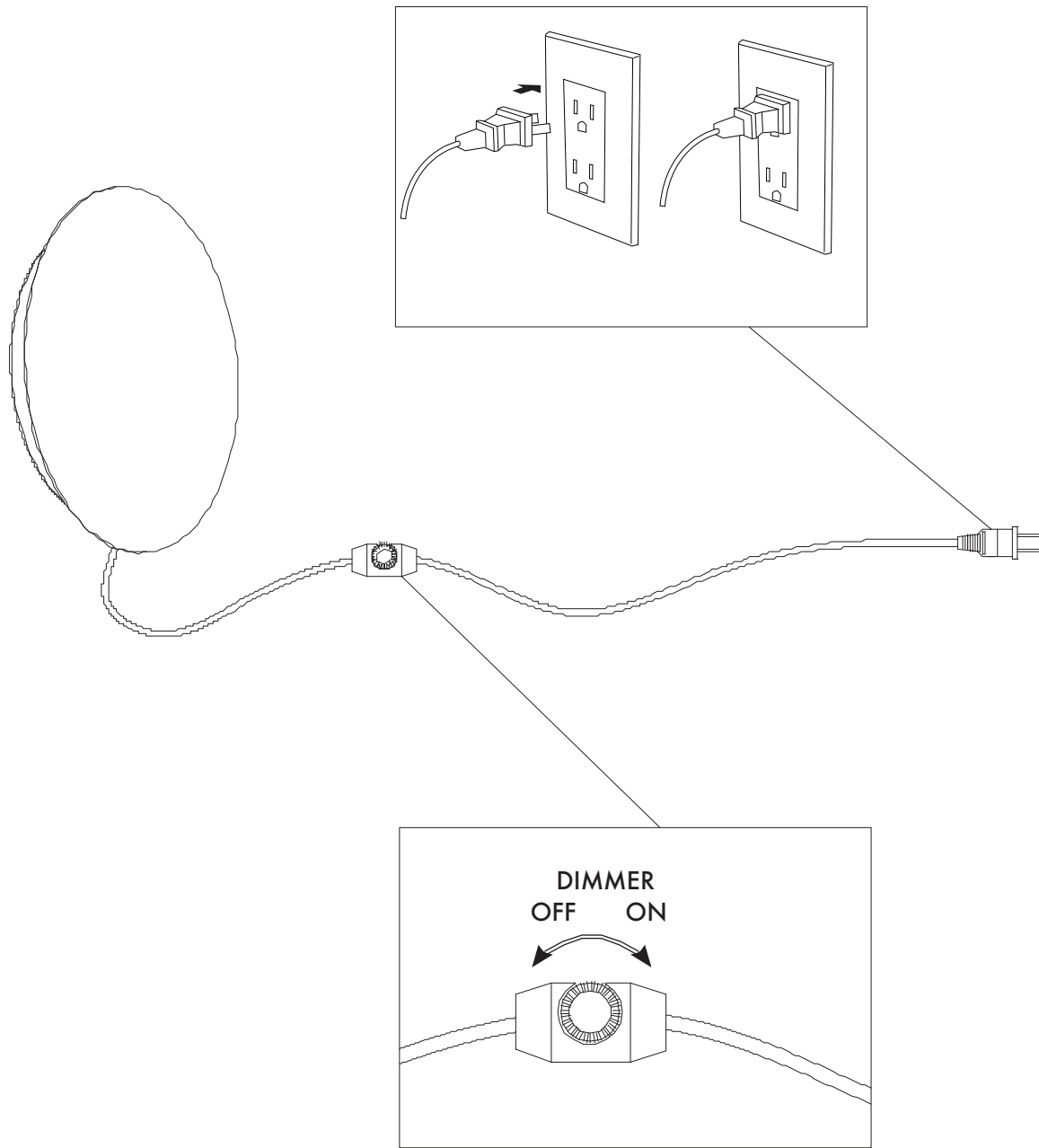
Attach ceiling peg (A) on ceiling peg screw (B) and tighten.



Secure ceiling peg (A) with set screw. Tighten with hex wrench (G).

Installer Tip: VONN recommends to draw out your expression design with a string and thumb nails prior to installation.

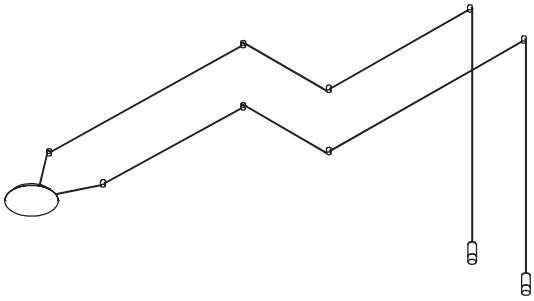
Step 3. Operate Wire Expression



Installation Guide



LED INFO & WARNINGS



- Please read and comprehend the entire manual before attempting to assemble, operate, or install the product.
- Make sure that you have all necessary parts by checking the parts list. If any part is missing or damaged, please contact **VONN Lighting Customer Service at 888-604-8666** for a replacement.
- All parts must be used as indicated in these instructions. Do not substitute any parts, leave parts out, or use any parts that are worn or broken.
- Inspect the LED fixture prior to installation to make sure that it has not been damaged during shipping.
- Please handle the LED light with care when unpacking. Do not apply pressure to the LED's, do not open any factory sealed compartments, and do not touch the LEDs with your hands.

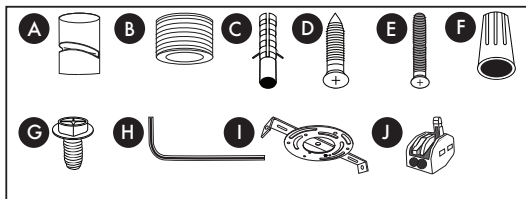
VONN highly recommends to use a qualified, licensed electrician to install the fixture.

VONN Lighting
Model: VEW18002



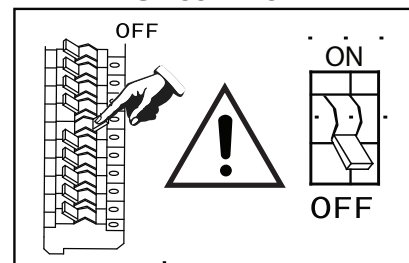
- Optional plug-in or hard wired installation.
 - VONN recommends to install the fixture on its own independent circuit. Do not install the fixture on the same circuit with other appliances, or HVAC systems.
 - Do not remove or replace VONN manufactured driver that is provided with the fixture.
- ⚠ DO NOT CUT WIRES ⚠** attached to the fixture under any circumstance. Cutting wires will **VOID** your warranty. Excess cable should be neatly looped and tucked into the canopy.
- Please remove the canopy from the box prior to the fixture body. Failure to do so can potentially lead to cables getting tangled.
 - VONN recommends **ELV (Electric Low Voltage)** type dimmers for this fixture.
 - Shut "OFF" the electricity at main fuse box.
 - Place the wall switch in the "OFF" position of the room you are installing the fixture.

Parts List



- A. Ceiling Peg x 12
- B. Ceiling Peg Screws x 12
- C. Plastic Anchors x 12
- D. Anchor Screws x 12
- E. Outlet Screws x 3
- F. Wire Connectors x 3
- G. Ground Screw x 1
- H. Hex Wrench
- I. Mounting Bracket
- J. Wire Clips x 2

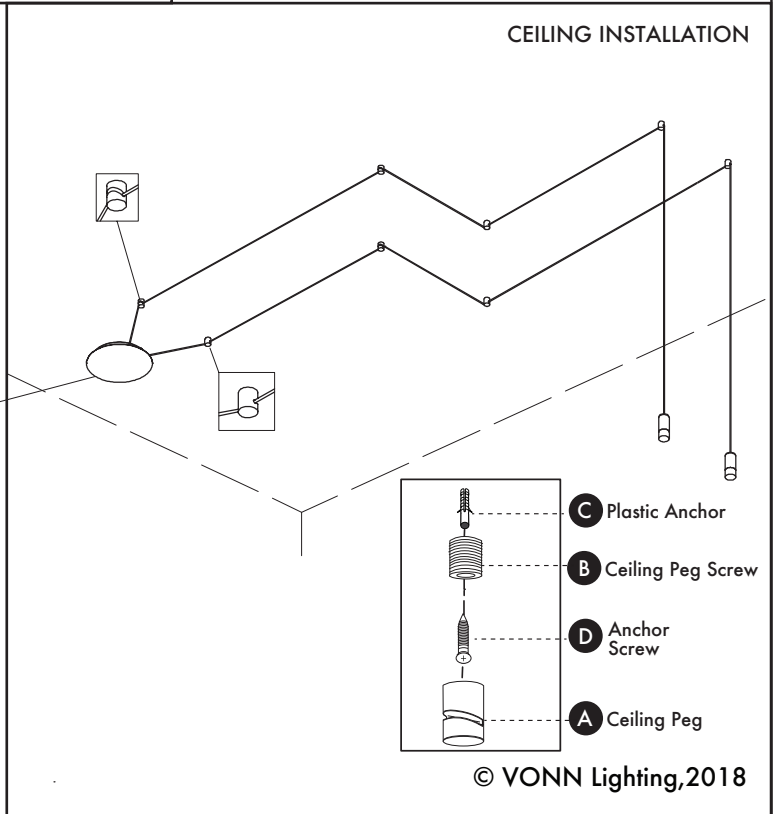
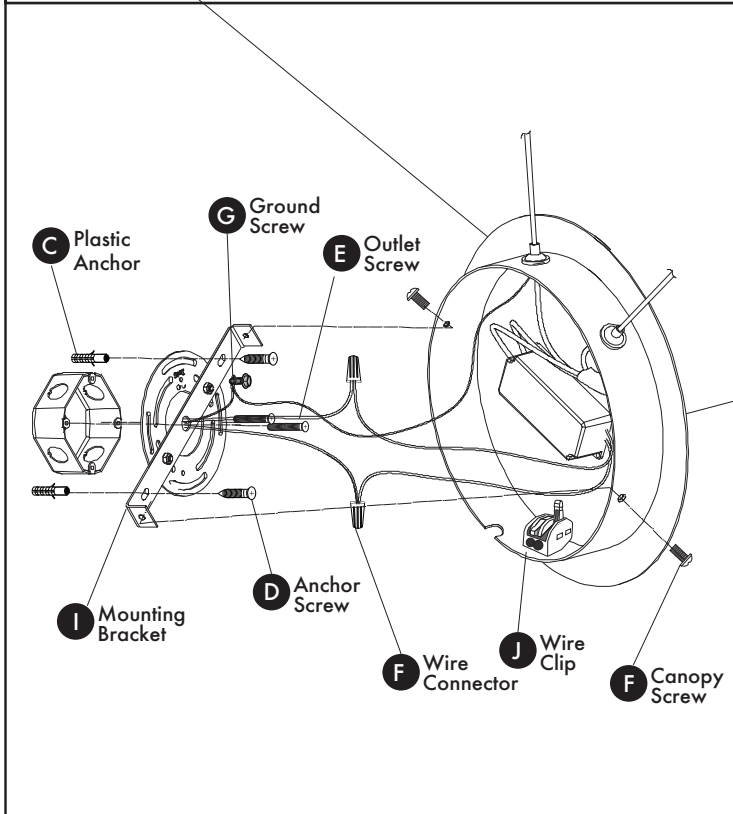
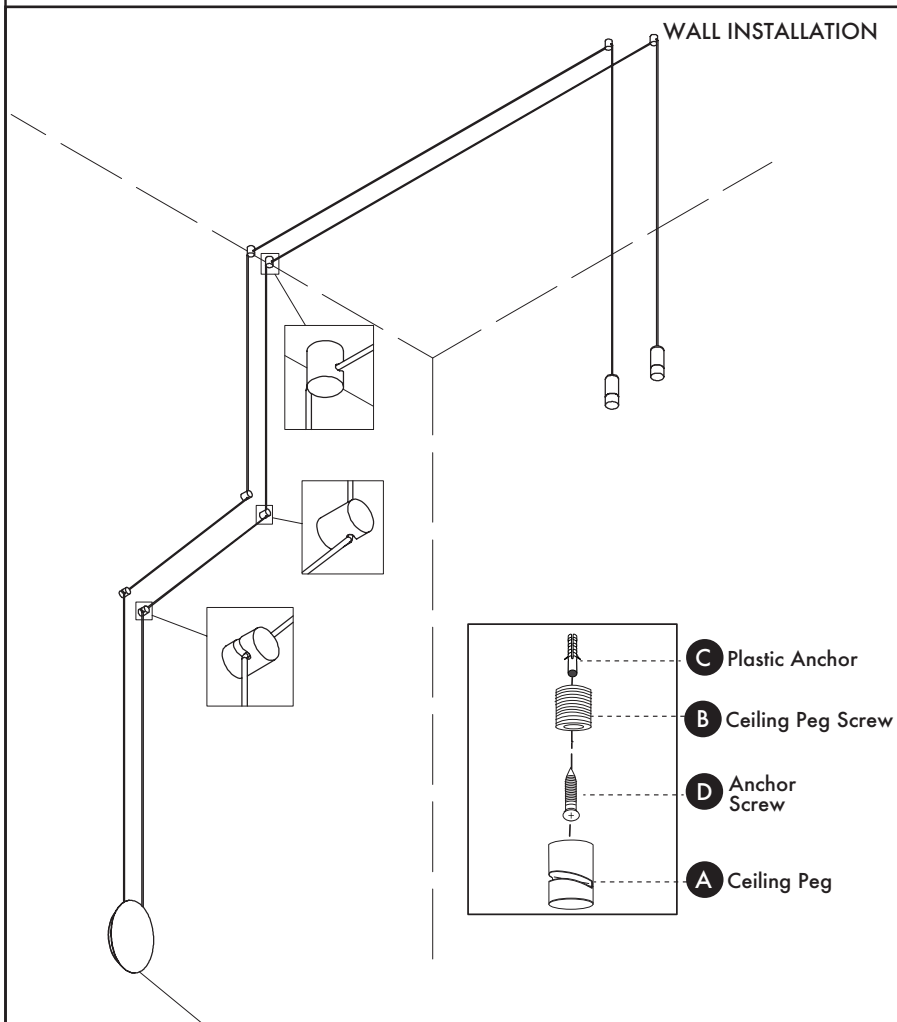
Circuit Box



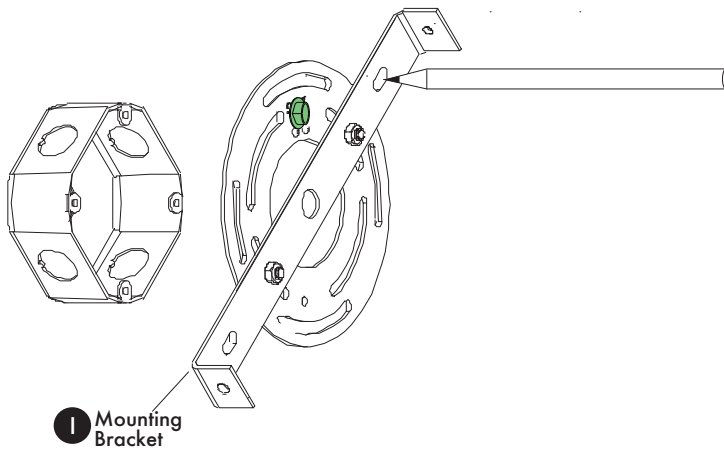
Tools You May Need



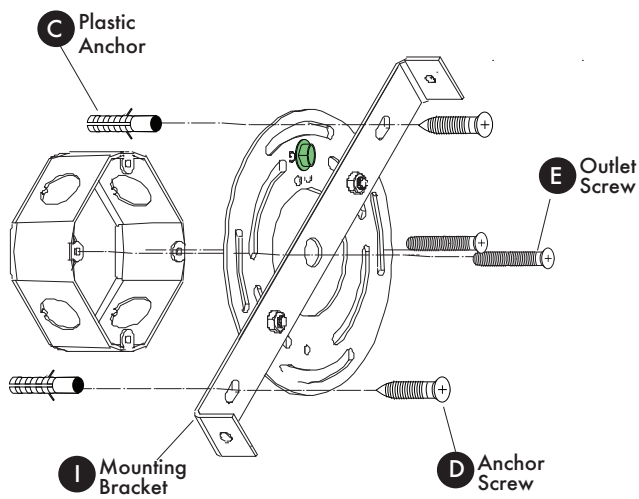
Fixture Diagram - Hard Wired



Step 1. Install Mounting Bracket

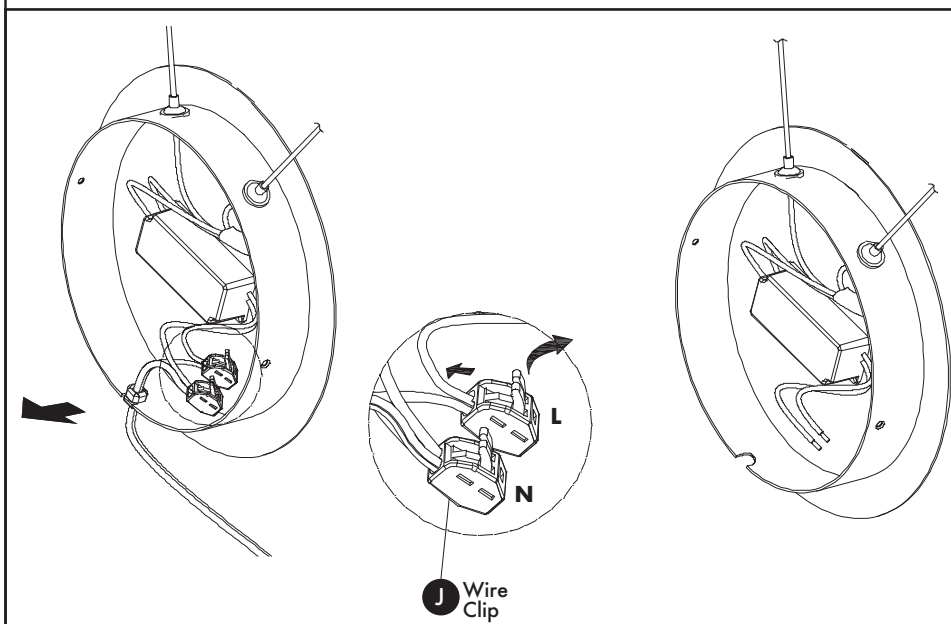


Remove mounting bracket (I) from fixture. Raise mounting bracket (I) to wall or ceiling and mark location for plastic anchors (C). Drill hole for plastic anchors (C). Insert anchors.

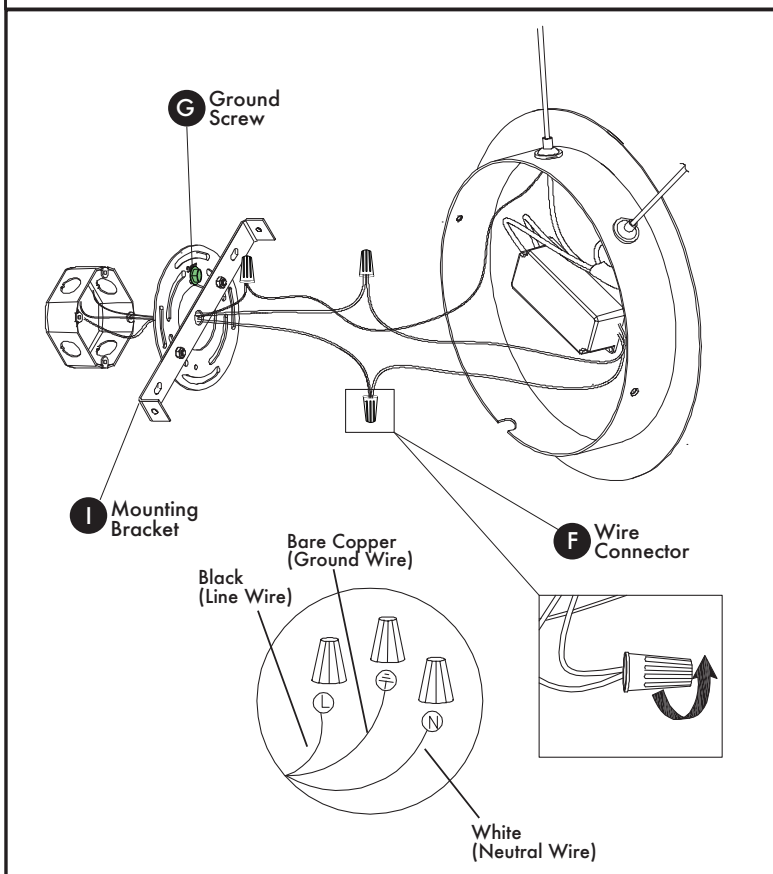


Attach mounting bracket (I) to outlet box with outlet screws (E). Screw anchor screws (D) into plastic anchors (C) to secure canopy.

Step 2. Connect Supply Wires



Remove line wire (black) and neutral wire (white) from wire clip (J) for hard wire installation.



Supply Wires:

Connect Black (Line Wire) from fixture to Black (Hot Wire) from outlet box.

Connect White (Neutral Wire) from fixture to White (Neutral Wire) from outlet box.

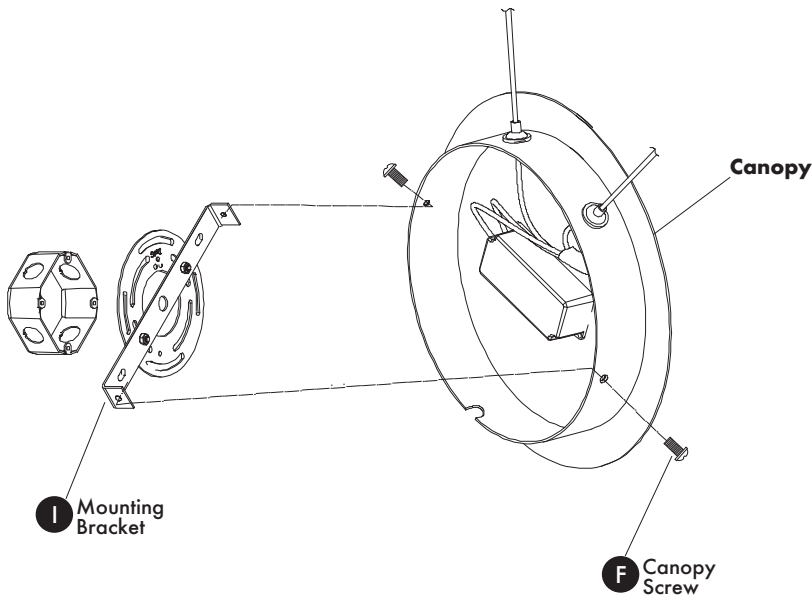
Ground Wires:

Connect Bare Copper (Ground Wire) from fixture to Green or Bare Copper (Ground Wire) from outlet box.

Twist wires together clockwise and secure with wire connector (F).

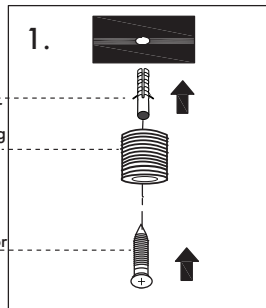
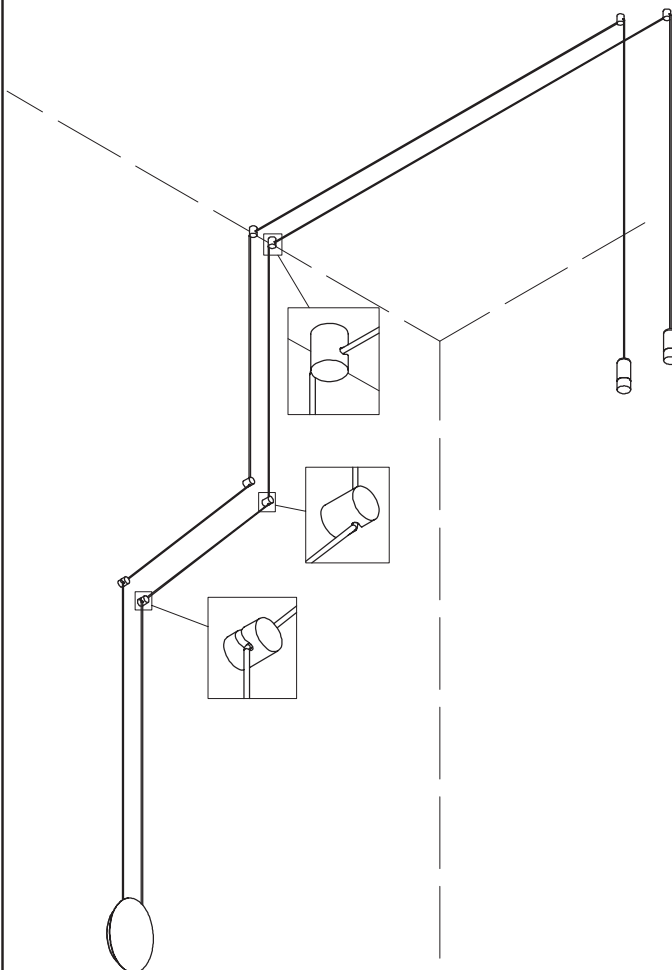
Installer Tip: If ground wire is not available in outlet box, then secure Bare Copper (Ground Wire) from fixture to ground screw (G) on canopy.

Step 3. Secure Canopy

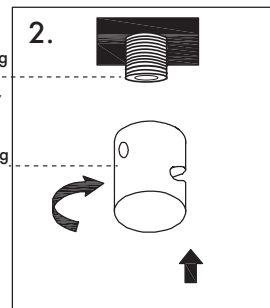


Attach canopy to mounting bracket (I).
Secure with canopy screws (F).

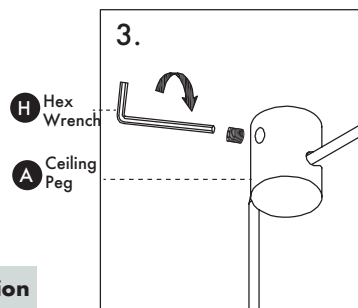
Step 4. Install Wire Expression



Drill hole for plastic anchors (C). Insert plastic anchors (C) into hole. Secure ceiling peg screw (B) with anchor screw (D).



Attach ceiling peg (A) on ceiling peg screw (B) and tighten.



Secure ceiling peg (A) with set screw. Tighten with hex wrench (H).

Installer Tip: VONN recommends to draw out your expression design with a string and thumb nails prior to installation.

Step 5. Turn Power ON

Turn electricity "ON" at main fuse box.

Place the single pole switch in the "ON" position to test the fixture.

Circuit Box

