

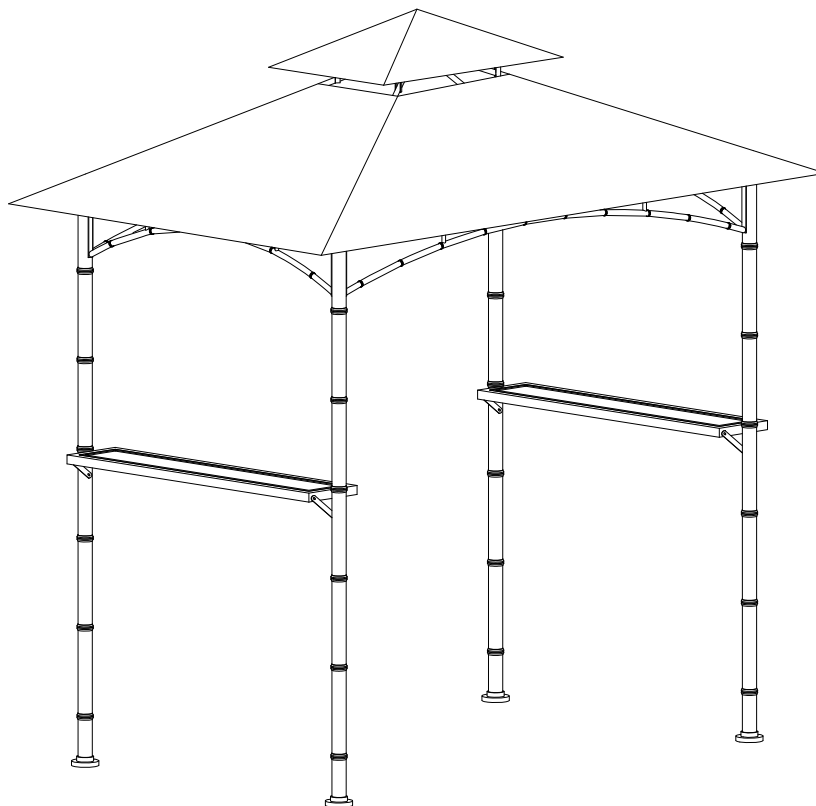


Item #1000 018 754  
Model #L-GG019PST

# USE AND CARE GUIDE

---

## GRILL GAZEBO



Questions, problems, missing parts? Before returning to the store,  
call Hampton Bay Customer Service  
8 a.m. - 6 p.m., EST, Monday-Friday

**1-855-HD-HAMPTON**

**HAMPTONBAY.COM**

---

### **THANK YOU**

*We appreciate the trust and confidence you have placed in Hampton Bay through the purchase of this grill gazebo. We strive to continually create quality products designed to enhance your home. Visit us online to see our full line of products available for your home improvement needs. Thank you for choosing Hampton Bay!*

# Table of Contents

Table of Contents.....	2	Pre-Assembly .....	3
Safety Information.....	2	Planning Installation .....	3
Warranty .....	2	Hardware Included.....	3
What is Covered .....	2	Package Contents .....	4
What is Not Covered .....	2	Assembly .....	5-6
		Care and Cleaning .....	7

# Safety Information

1. Some parts may contain sharp edges. Wear protective gloves.
2. When assembling and using this product, basic safety precautions should always be followed to reduce the risk of personal injury and damage to equipment. Please read all instructions before assembly and usage.



**DANGER:** This unit is heavy! Do not assemble this item alone.



**WARNING:** Do not leave the gazebo where there is a risk of high wind, as possible damage will occur to the structure.



**CAUTION:** Do not climb on top of the gazebo. Falling off the gazebo can result in serious injury, possibly even death.

**NOTICE:** For outdoor use only.

# Warranty

## 2 YEARS WARRANTY

### WHAT IS COVERED

This limited warranty is extended to the original purchaser and applies to defects in materials and workmanship of your item provided the item is maintained with care and used only for personal, residential purposes. The item is warranted to be free from defects in material or workmanship for a period of 2 years.

### WHAT IS NOT COVERED

We do not reimburse for transportation of delivery costs, or compensate the individual or any outside party for assembling or disassembling the product.

Contact the Customer Service Team at 1-855-HD-HAMPTON or visit [www.Hamptonbay.com](http://www.Hamptonbay.com).

# Pre-Assembly

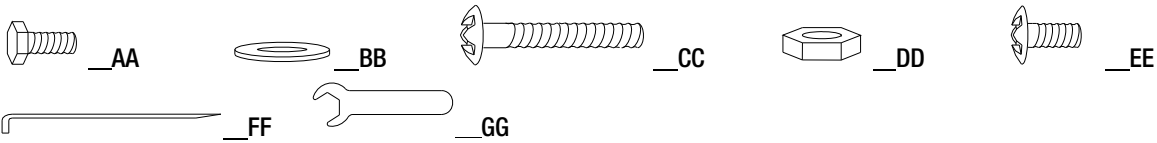
## PLANNING INSTALLATION

Before beginning assembly of the product, make sure all parts are present. Compare parts with the Hardware Included and Package Contents list. If any part is missing or damaged, do not attempt to assemble the product. Contact customer service for replacement parts.

## HARDWARE INCLUDED



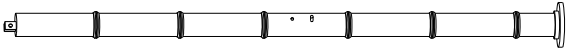
**NOTE:** Hardware not shown to actual size.



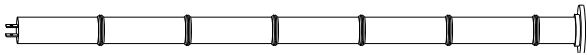
Part	Description	Quantity
AA	M6X20 Bolt	16
BB	M6 Washer	40
CC	M6X40 Bolt	8
DD	M6 Nut	8
EE	M6X20 Bolt	8
FF	Dia.5X180MM '7' Shape Stake	12
GG	M6 Wrench	1

# Pre-Assembly (continued)

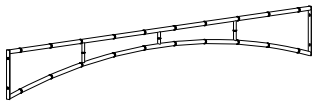
## PACKAGE CONTENTS



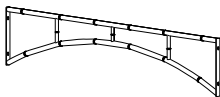
\_\_A1



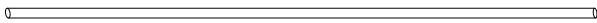
\_\_A2



\_\_B



\_\_C



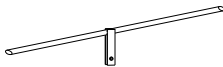
\_\_D



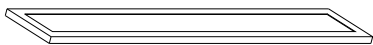
\_\_E



\_\_F



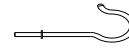
\_\_G



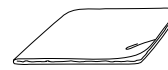
\_\_H



\_\_I



\_\_J



\_\_K



\_\_L

Part	Description	Quantity
A1	Pole 1	2
A2	Pole 2	2
B	Long Screen	2
C	Short Screen	2
D	Corner Pole	4
E	Big Center Connector	1
F	Small Center Connector	1
G	Small Top Pole	4
H	Tabletop	2
I	Support bar	4
J	Hook	1
K	Small Canopy	1
L	Big Canopy	1

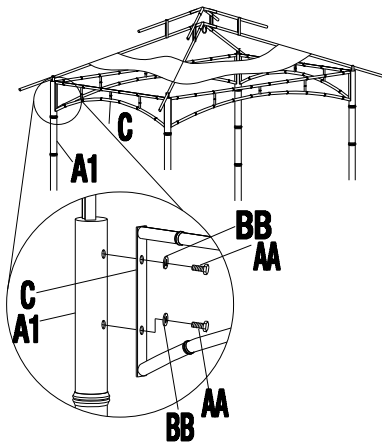
# Assembly

## 1 Attaching the screens to the poles

- Attach the short screen (C) and long screen (B) to pole 1 (A1), pole 2 (A2) using bolts (AA) and washers (BB).



**NOTE:** To avoid destroying the finish, please handle it with care.

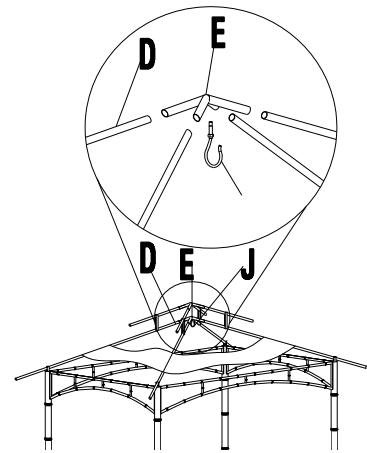


## 2 Attaching the big center connector

- Put the hook (J) into the big center connector (E). Insert the corner top pole (D) into the big center connector (E).



**NOTE:** To avoid destroying the finish, please handle it with care.

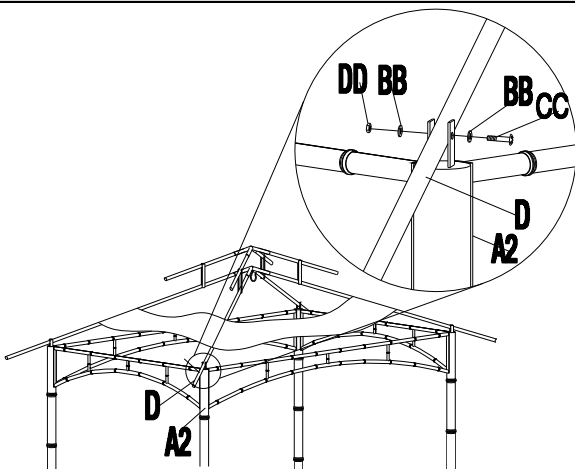


## 3 Attaching the corner top pole

- Attach the corner top pole (D) to the top of pole 2 (A2) using bolts (CC), washers (BB) and nuts (DD).



**NOTE:** To avoid destroying the finish, please handle it with care.

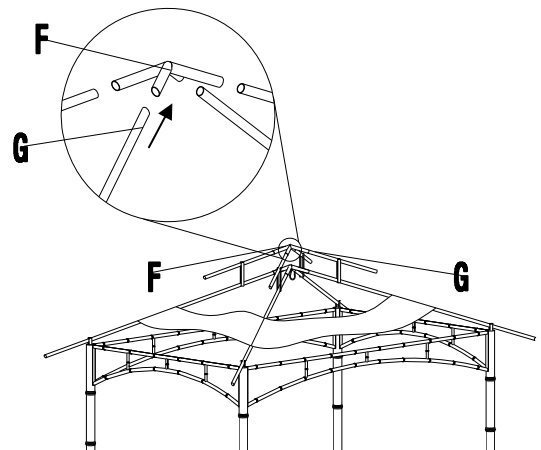


## 4 Attaching the small center connector

- Insert the small top poles (G) into the small center connector (F), then assemble the four corners of the small canopy (K).




**NOTE:** To avoid destroying the finish, please handle it with care.

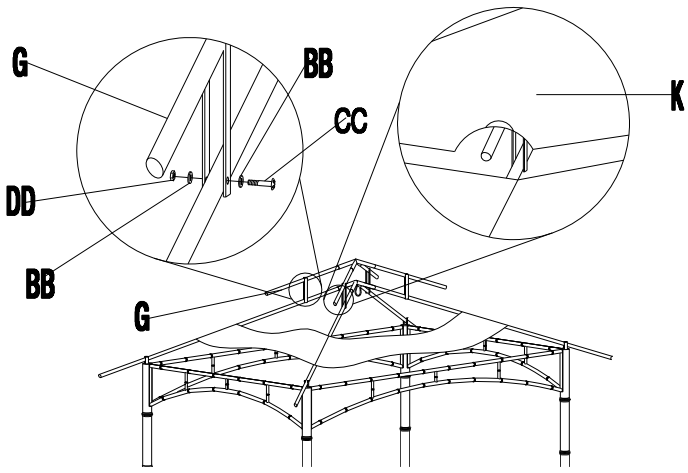


# Assembly (continued)

## 5 Attaching the canopy


- Put the big canopy (L) onto the big top. Do not fold. Attach the small top pole (G) to corner top pole (D) using bolts (CC), washers (BB) and nuts (DD). Then assemble the four corners of the small canopy (K).

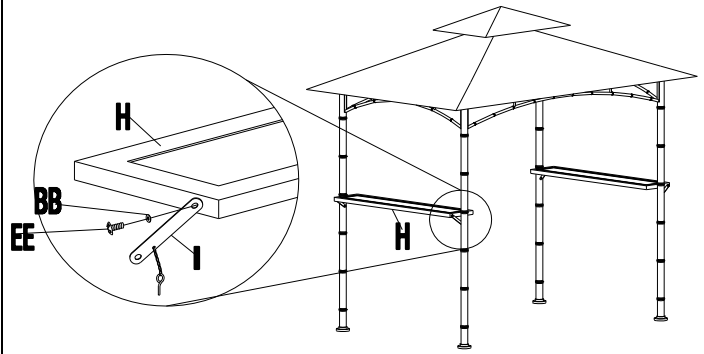
 **NOTE:** To avoid destroying the finish, please handle it with care.



## 6 Attaching the support bar to the table top

- Attach the support bar (I) to the tabletop (H) using bolts (EE) and washers (BB).

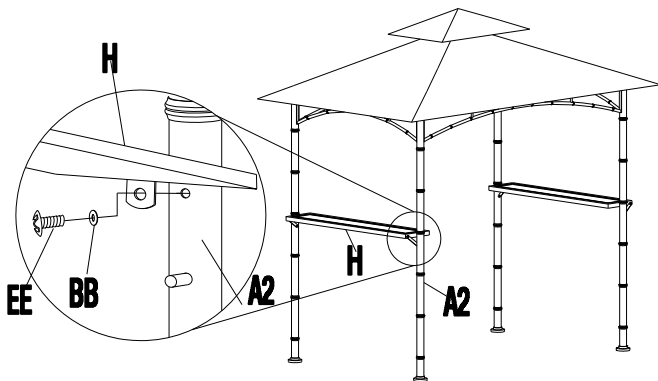
 **NOTE:** To avoid destroying the finish, please handle it with care.



## 7 Attaching the table top to the poles


- Attach the tabletop (H) to the poles (A1 and A2) using bolts (EE) and washers (BB).

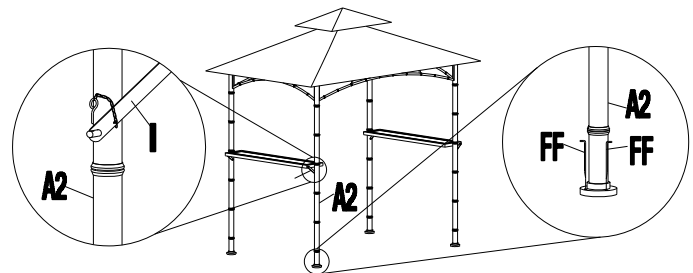
 **NOTE:** To avoid destroying the finish, please handle it with care.



## 8 Finalizing the assembly

- Secure the other end of the support bar (I) to the poles (A1 and A2), then insert the pin on the pole into the hole at the end of the support bar (I). Secure the gazebo using the stakes (FF).

 **NOTE:** To avoid destroying the finish, please handle it with care.



## Care and Cleaning

---

- Before using, clean the gazebo completely with a soft dry towel.
- Do not put your gazebo in wet conditions where there is a risk of rust developing.
- When not in use, store in a cool, dry area.

### **WARNING: KEEP ALL FLAME AND HEAT SOURCES AWAY FROM THIS GAZEBO FABRIC**

This Gazebo is made with fabric that meets CPAI-84 specifications for flame resistance. It is not fire proof. The fabric will burn if left in continuous contact with any flame source. The application of any foreign substance to the gazebo fabric may render the flame-resistant properties ineffective.

Manufacturer I.D. : Sunjoy Industries(Jiashan) Co., Ltd  
Manufacturer Code Number : 2001595

### **AVISO: MANTENGA TODA LLAMA Y CALOR RADIANTE LEJOS DE LA TELA DE ESTE GAZEBO (CASETA)**

Este Gazebo esta hecho de tela que cumple con las especificaciones de resistencia a llamas CPAI-84. No es ignifuga. La tela se quemará si se deja en contacto continuo con cualquier llama. La aplicación de sustancias ajenas a la tela de este gazebo pueden anular las cualidades de resistencia a llamas.

Identidad del Fabricante: Sunjoy Industries (Jiashan) Co., Ltd.  
No. de código del fabricante: 2001595



Questions, problems, missing parts? Before returning to the store,  
call Hampton Bay Customer Service  
8 a.m. - 6 p.m., EST, Monday-Friday

**1-855-HD-HAMPTON**

**HAMPTONBAY.COM**

Retain this manual for future use.