

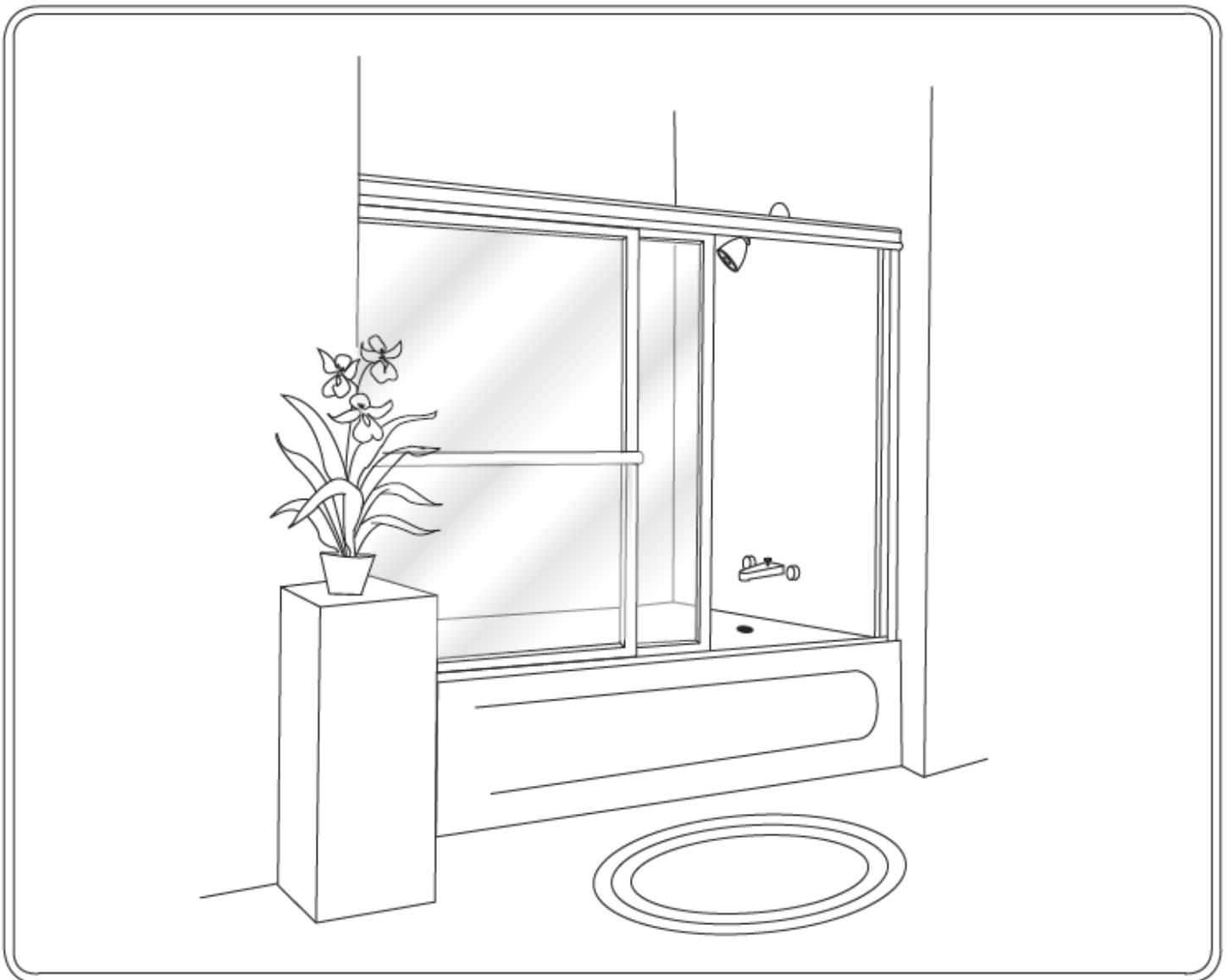
Redi Slide™...Opening Doors to Stunning Showers!™

SERIES: 1100

CONFIGURATION: Door-Door

MOUNTING PACKAGE: Framed sliding doors

FRAMED SLIDING DOOR FOR TUB OR SHOWER ENCLOSURE



## Tools:

To install your New Shower Enclosure, you may need the following:

- Pencil
- Low Tack Tape
- Tape Measure
- 4' & 6' Levels
- #2 Phillips Screwdriver
- Drill
- 1/8" & 3/16" Drill Bit
- Center Punch
- Files
- Hack Saw
- Caulk Gun
- Clear Silicone Caulk
- Suction Cups

## Safety Notes:

- This unit is best installed by two people.
- Handle the glass panels carefully and protect the edges. Safety tempered glass is very resistant to breakage, but the sharp corners of the panels can damage tile and flooring surfaces.
- The glass can break if unequal pressure is applied during installation.
- Please wear safety glasses whenever drilling or cutting. When drilling holes in ceramic tile or marble, use a center punch and hammer to carefully break the glazed surface to prevent skidding when drilling.

**NOTE:** Tempered glass cannot be cut.

## Installation Notes:

- Proper blocking is required for every Heavy Glass unit prior to installation. At minimum 2x4 blocking is required at the location of any structural member of the unit including, but not limited to: hinges, clamps, and header brackets. All fasteners at these locations are required to be installed into the blocking.
- A minimum of 1 1/4" thread engagement is required of all fasteners into the blocking at these locations. Depending on the application the customer maybe required to supply the proper fasteners to ensure adequate engagement.
- U-Channel maybe installed using wall plugs where no backing is found.
- Use caution to not pierce plumbing or electric lines while installing door hardware.
- Cover the drain with tape prior to installation to prevent loss of small parts.
- Unpack your unit carefully and inspect for freight damage. Lay out and identify all parts using the instruction sheet as a reference. Before discarding the carton, check to see that no small hardware parts have fallen to the bottom of the box. If any parts are damaged or missing, refer to the description noted in the instructions when contacting your dealer for replacements.

## Maintenance:

### Caring for Redi Clear™ Treated Glass

In order to maintain your ten year warranty, please follow these care instructions:

Once or twice a week, wipe down your shower door to remove body oils, soaps and shampoos from the surfaces. The glass should be cleaned every few weeks using a damp microfiber cloth and a mild detergent or soap to remove any soap scum and grime from the glass. Do not use paper towels or any abrasive tool to clean the surface. The sealed surface is warranted with regular maintenance and without the use of any harsh chemicals or detergents.

### Caring for Non-Treated Glass

After each use, rinse with water and wipe down your enclosure with a soft cloth/towel or squeegee to maintain that like-new look. The glass should be regularly cleaned using a damp microfiber cloth and a mild detergent or cleaner to remove any soap scum and grime from the glass. We recommend Lysol Bathroom Cleaner as safe for shower doors, but please test any commercial cleaning solutions on an inconspicuous area before applying to the entire enclosure. Be sure to rinse all surfaces completely and wipe dry. Never use any abrasive material or harsh chemicals to clean surfaces and do not allow cleaners to soak on surfaces.

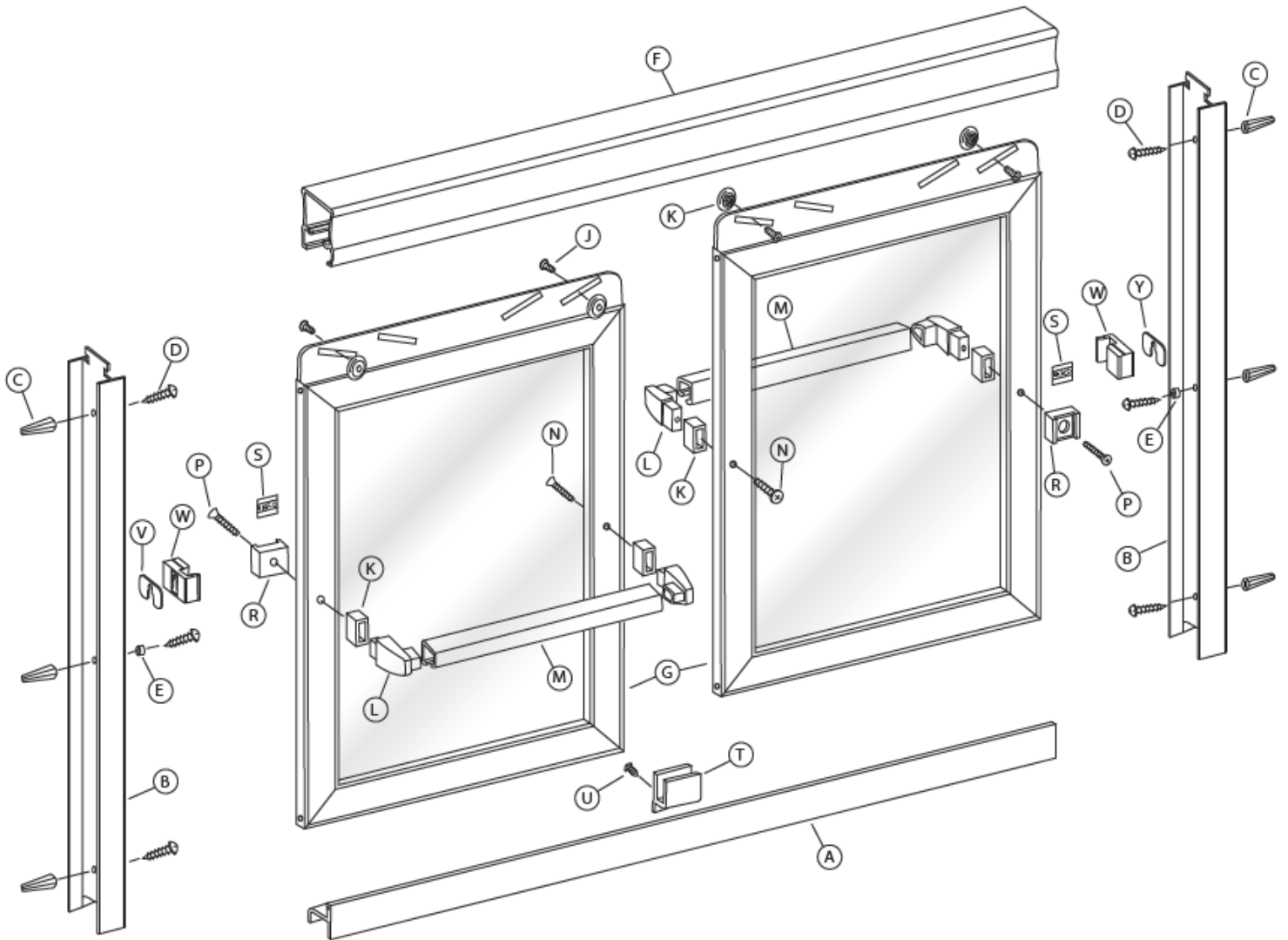
## PARTS LIST

ITEM	DESCRIPTION	QTY.
A	Tub Track with Vinyl Silencer	1
B	Wall Jamb	2
C	Plastic Wall Anchor	6
D	#8 x 1 1/2" Truss Head Screws	
E	2 Nylon Spacers	6
F	Header	1
G	Glazed Door Panel	2
H	Nylon Roller Bearing	4
J	#8-32 x 3'8" Hex Head Screw	4
K	Metal Towel Bar Trim Ring	4
L	Acrylic Towel Bar Bracket	2
M	Towel Bar	2
N	#10-24 x 7/8" Truss Head Screw	2
P	#10-24 x 1 1/8" Flat Head Screw	2
R	Acrylic Finger Pull	2
S	Tile Redi Decal	2
T	Bottom Guide	1
U	#6 x 3/8" Pan Head Screw	1
V	Stainless Bumper Insert	2
W	Soft Jamb Bumper	2

\*Quantities may vary.

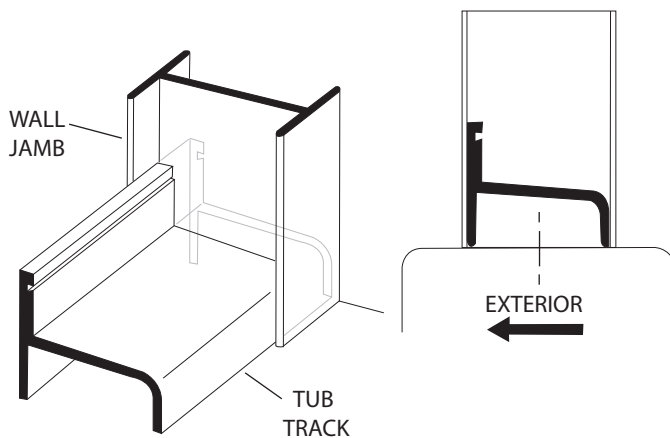
\*\*Support bar only included if necessary.

# EXPLODED VIEW



**1** Measure the wall to wall opening at the center of the threshold. Cut the bottom track [A] 1/16" short of that dimension. An inexpensive miter box (available at a hardware store) will help you get a clean, square cut.

Place the bottom track in the desired position of the threshold, typically in the center, with the raised edge to the exterior. (see illustration) It may be necessary to file a radius on the corners of the bottom track and wall jambs to match the corners of the opening. Lightly mark its location with a pencil.



Press both wall jambs [B] into position over the tub track. It is not necessary to trim the vinyl silencer back for the wall jambs. The wall jamb should cut through it for you. Masking tape can be used to hold the parts in place temporarily.

**2** Using a level, plumb one wall jamb and mark the three hole locations on the wall with a pencil. Repeat this step for the other wall jamb. Remove all parts and drill the holes.

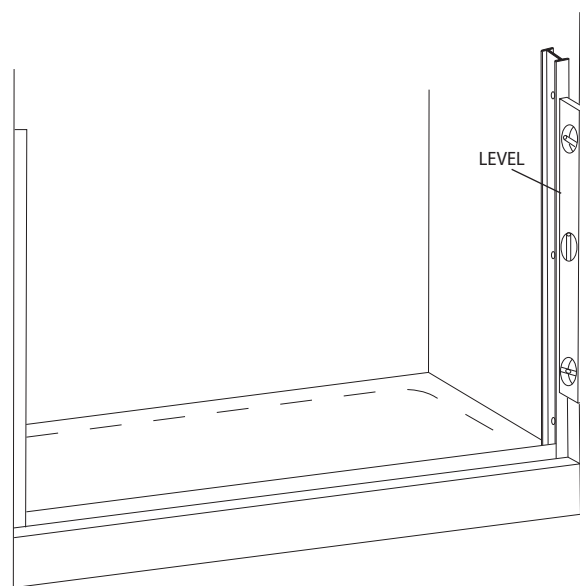
Tile or marble walls:

Drill 3/16" diameter holes into the walls and insert the plastic wall anchors [C].

Fiberglass or acrylic units can be done two different ways:

If the walls are not reinforced, drill 3/16" diameter holes and insert the plastic wall anchors. (Toggle bolts may be used instead but they are not provided).

If the walls are reinforced, only drill 1/8" diameter holes.

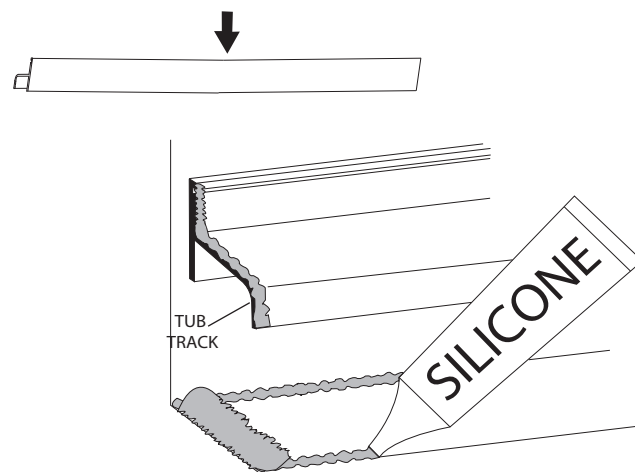


**CAUTION:** The bottom track should never be screwed to the threshold.

**3** Before replacing the tub track, force a slight downward bow in the middle of the extrusion. This will ensure that the track fits tight to the tub in the center. Run two beads of silicone inside the pencil marks on the threshold. Also, apply a liberal amount of silicone where the threshold and wall meet on both sides. Apply enough to fill the void of the bottom track.

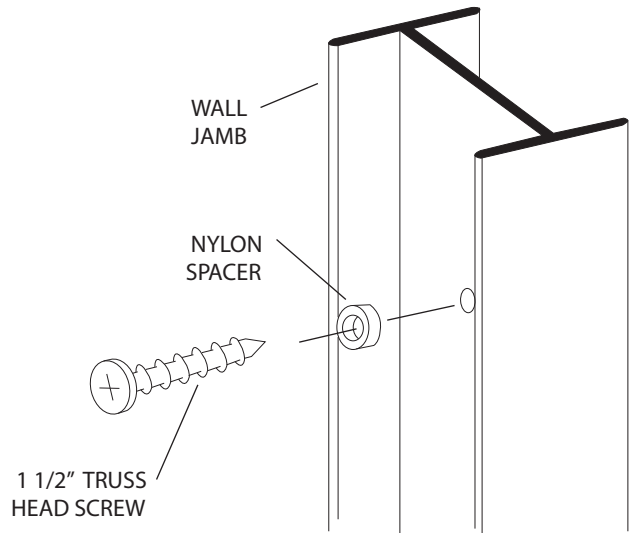
Place the tub track in the exact position marked in Step #2 and seat it firmly into the silicone. Once the track is in place, run a bead across the top the track where it meets the wall.

**NOTE:** Improper silicone will result in leaks.



**4** Replace one wall jamb and attach it to the wall with two #8 x 1 1/2" truss head screws [D] inserted into the top and bottom holes. Slip a nylon spacer [E] over a #8 x 1 1/2" truss head screw and insert it into the center hole of the wall jamb. Double check wall jamb for plumb and tighten the screws.

**NOTE:** Do not overtighten the screws.

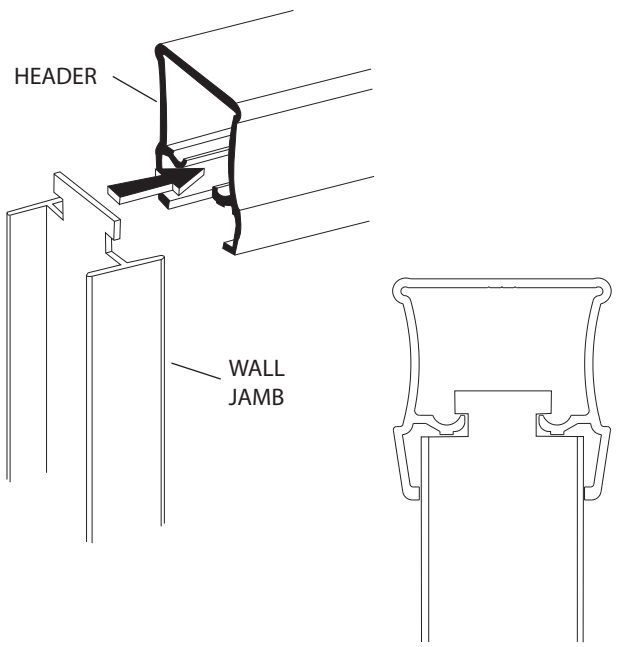


**5** This enclosure is equipped with safety "T" lock wall jambs. When properly installed, the header is permanently locked to the wall jambs and cannot be accidentally dislodged.

Measure the wall to wall opening at the top of the wall jambs and cut the header 1/16" short of this dimension. Check the header for fit.

Slide the safety "T" lock of the unmounted wall jamb into the end of the header. The header is reversible so that either face may be turned to the exterior of the unit. Holding the header at an angle, slide it over the "T" lock of the mounted wall jamb. Pivot the header into place and slide the loose wall jamb to the wall and press it into position on the bottom track.

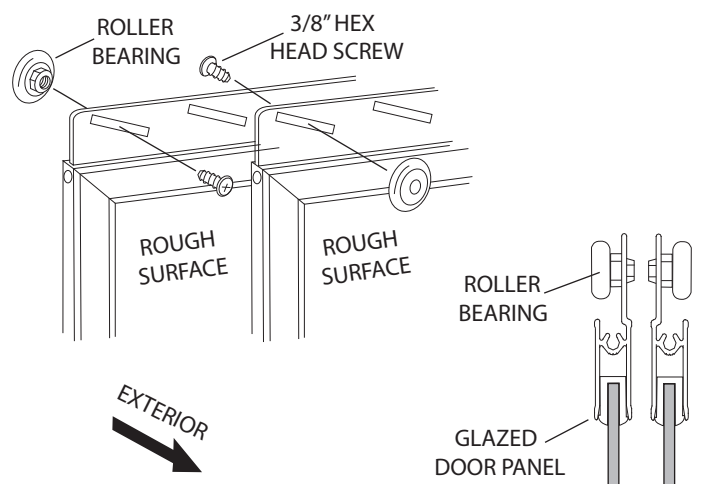
Attach the jamb to the wall per instructions in Step #4.



**6** **NOTE:** Obscure or patterned glass should be installed with the rough or textured surface of the glass to the exterior of the unit.

Units with obscure or patterned glass, there is an interior and exterior door panel [G] as determined by the position of the top fin with the angled slots. Door panels with clear glass are interchangeable unless they have been treated with Aquaglide.

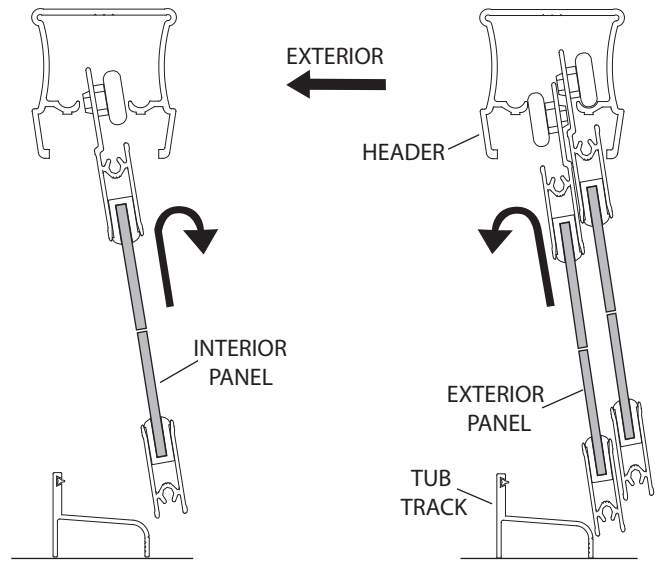
Attach the four nylon roller bearings [H] to the door panels, as shown, using the #8-32 x 3/8" hex head screws [J]. Center them in the outside slots of the top fins.



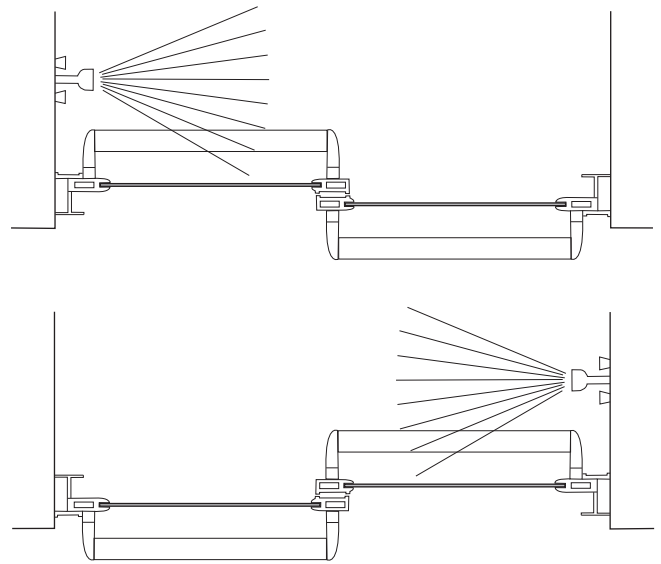
**7** Lift the interior panel (textured side of glass on the same side as the top fin) into position with the rollers engaging the roller track in the header.

Repeat for the exterior panel (textured side of glass on the opposite side as the top fin).

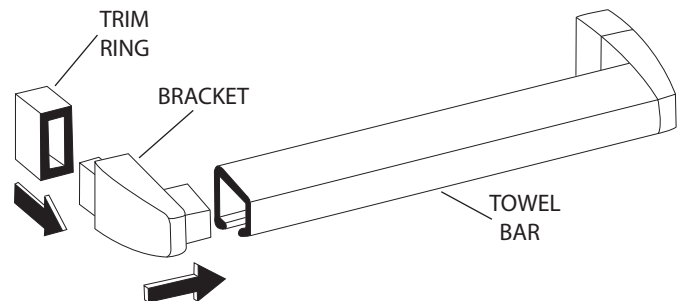
Check for alignment along the bottom and sides of each panel and adjust the rollers as necessary.



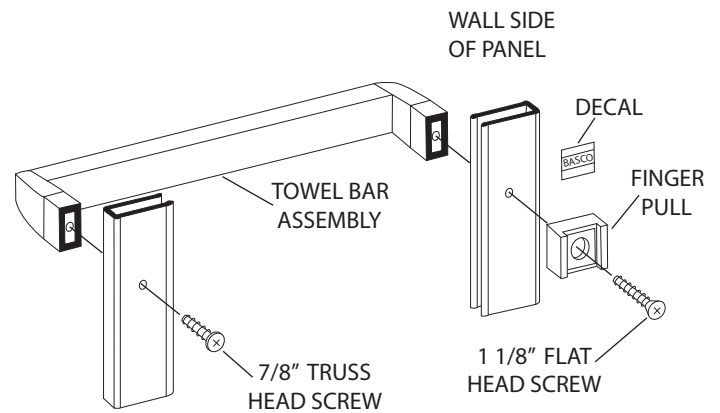
**8** Before finishing the installation, it is necessary to determine the proper closed position of the door panels. For maximum water control, position the interior panel closest to the shower head. (see illustration)



**9** Slide the four metal towel bar trim rings [K] over the clear acrylic towel bar brackets [L]. Press the brackets into the ends of the two towel bars [M].



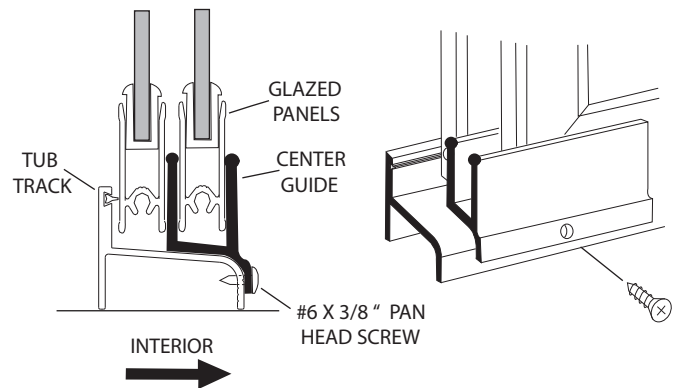
**10** From the *exterior*, insert a #10-24 x 7/8" truss head screw [N] through the rail that is closest to the center of the opening of the *interior panel*. Then, insert a #10-24 x 1 1/8" flat head screw [P] through an acrylic finger pull [R] and then through the rail that is closest to the wall. Attach a towel bar assembly, with the open slot in the bar facing down, to the interior panel by threading the screws into the acrylic brackets. (**CAREFUL** as to not overtighten the screws and strip the acrylic). Peel the backing from a TILE REDI decal [S] and press it into the recess of the acrylic finger pull.



Repeat the above steps, but from the *interior*, for the *exterior panel*.

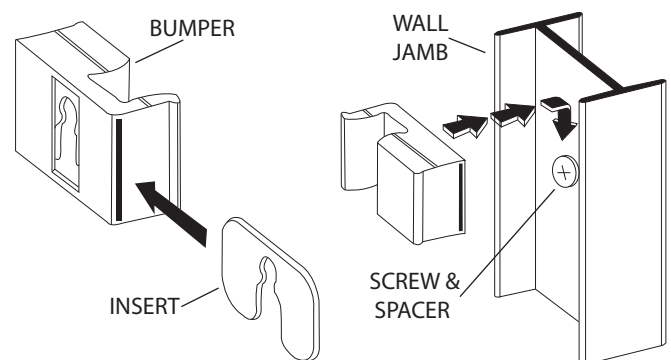
**11** Locate the nylon bottom guide [T] in the middle of the bottom track with both door panels against the wall with the shower head. Using a 1/8" drill bit, drill a hole into the "V" groove of the bottom track through the hole in the nylon guide.

Install the guide using a #6 x 3/8" pan head screw [U].



**12** Align the slots in the soft jamb bumpers [W] with the outer rails of the door panels (the side rails with the acrylic finger pulls). Slide the stainless steel bumper inserts [V] into the soft jamb bumpers with the open slot facing downward.

Slide the bumpers downward over the center wall jamb screw until they "lock" onto the nylon spacers installed in **Step #4**.





**13** Carefully silicone the seam between the walls and the wall jambs, the bottom track and the threshold on the inside of the shower as well as where the wall jambs and bottom track meet.

**NOTE:** Silicone on the exterior seam is optional.

**DO NOT USE** the shower until the silicone is completely cured. Check the tube of silicone for the manufacturer recommended cure time. (typically 24 - 48 hours)

