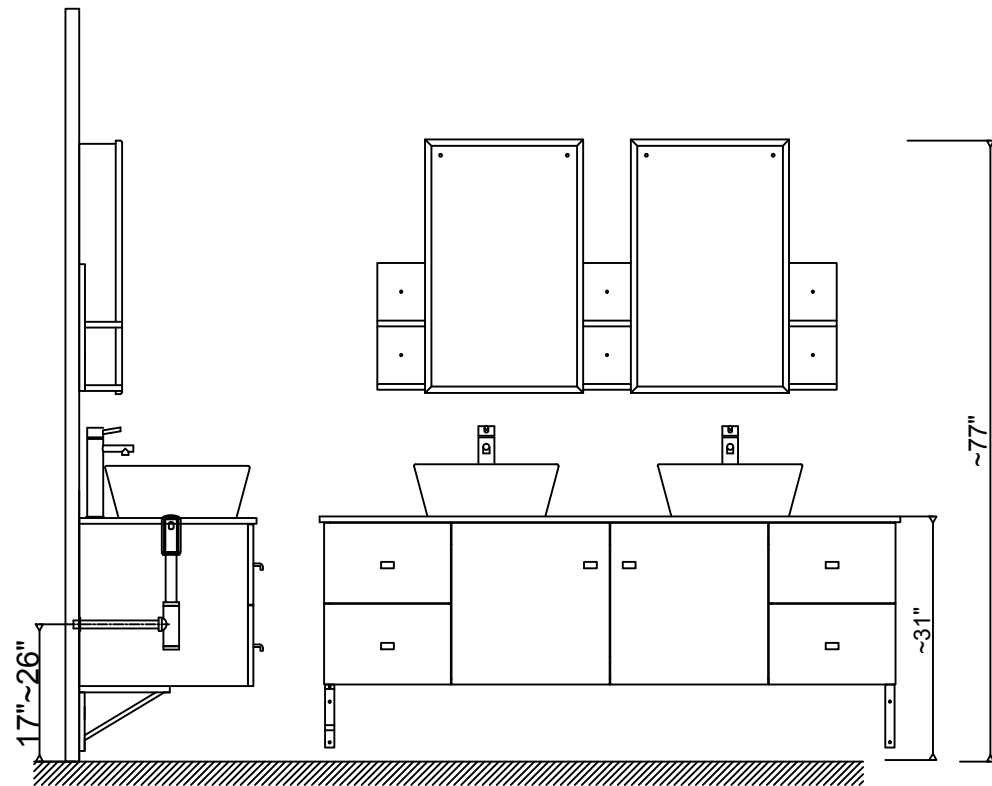


Prior to installation, please check the items you have received against the packing list. Report any missing items to your local dealer immediately.

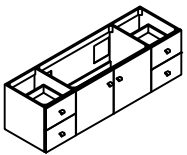
Protect all surfaces from sharp objects, high heat sources, direct prolonged sunlight and chemical hazards.

Professional installation is recommended.

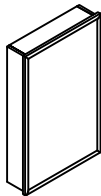


PARTS LIST (may differ depending on purchase)

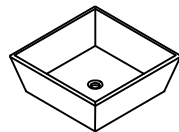
Cabinet



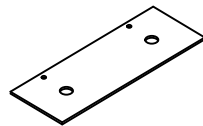
Mirror



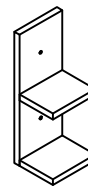
Basin



Top



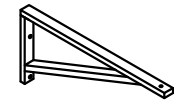
Shelf

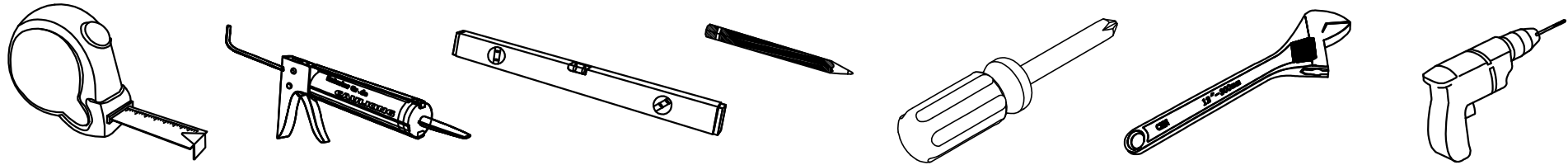
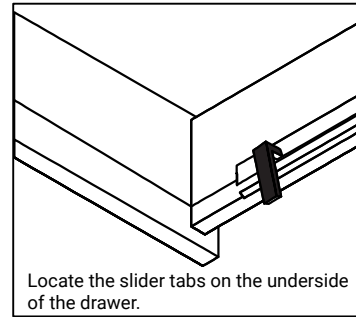
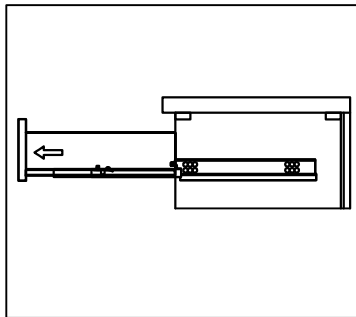
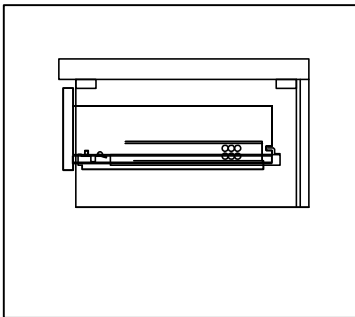


Anchor & Screw



Bracket

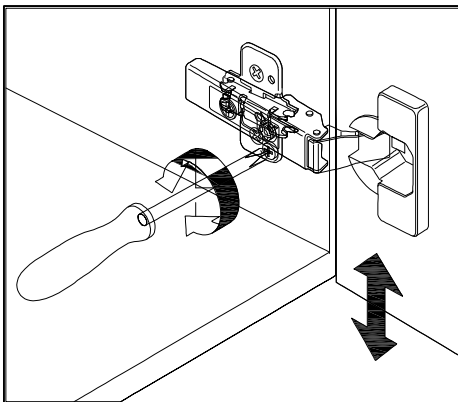


REQUIRED TOOLS**DRAWER REMOVAL****REMOVAL**

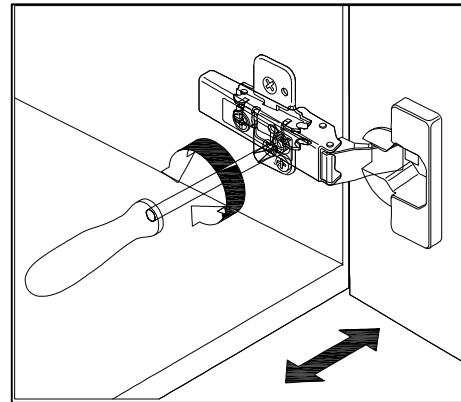
1. Pull tabs toward center
2. Lift and pull drawer out

RE-INSTALL

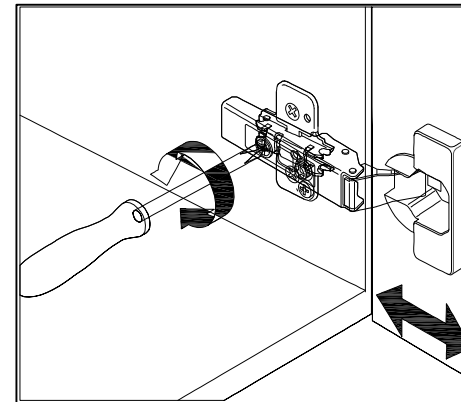
1. Align drawer hole with slider stud
2. Push tabs back in to secure

DOOR ADJUSTMENT

Adjusts the door vertically



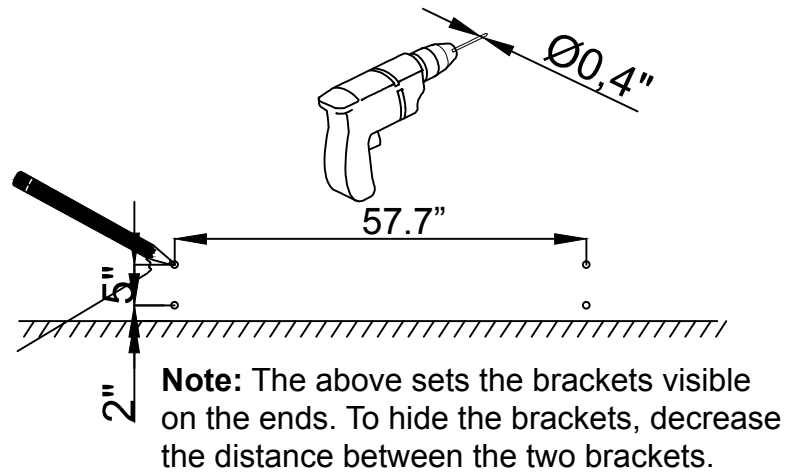
Adjusts the door horizontally



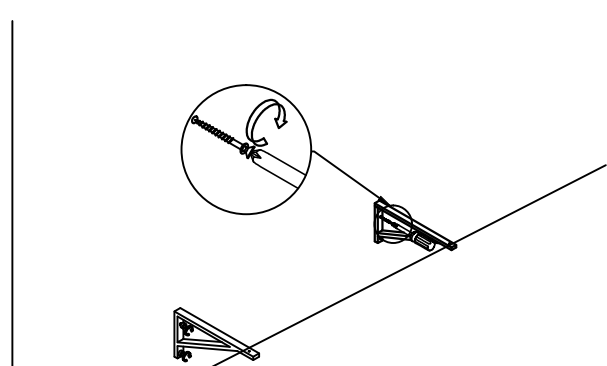
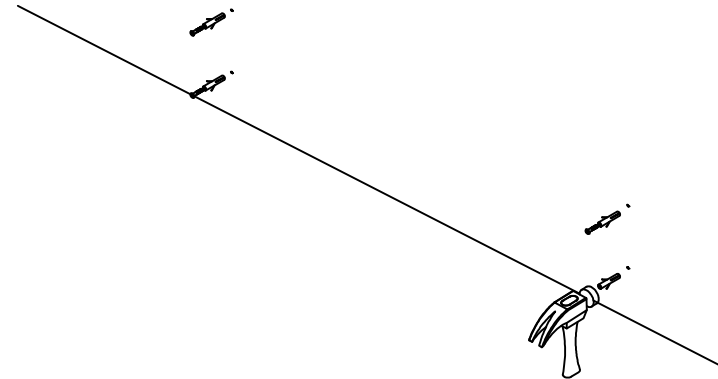
Adjusts the door forward and backwards

Bracket Installation

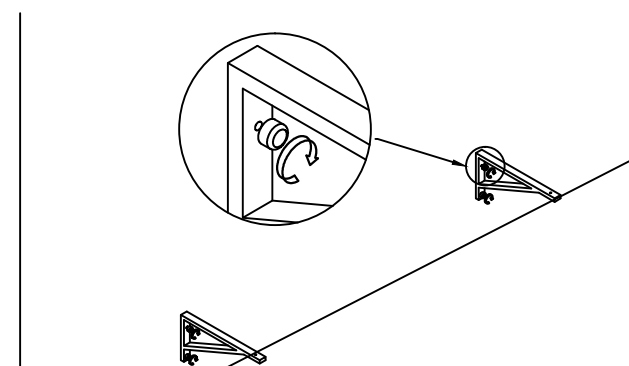
Mark at distances shown below. Drill holes.



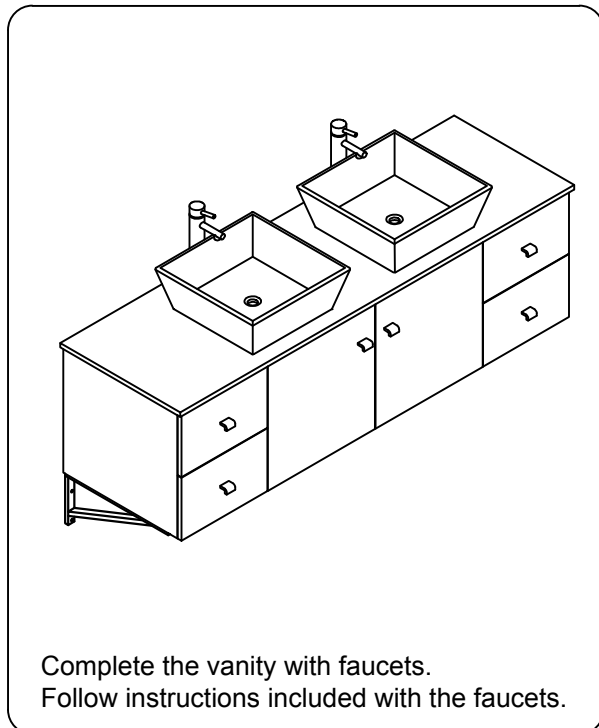
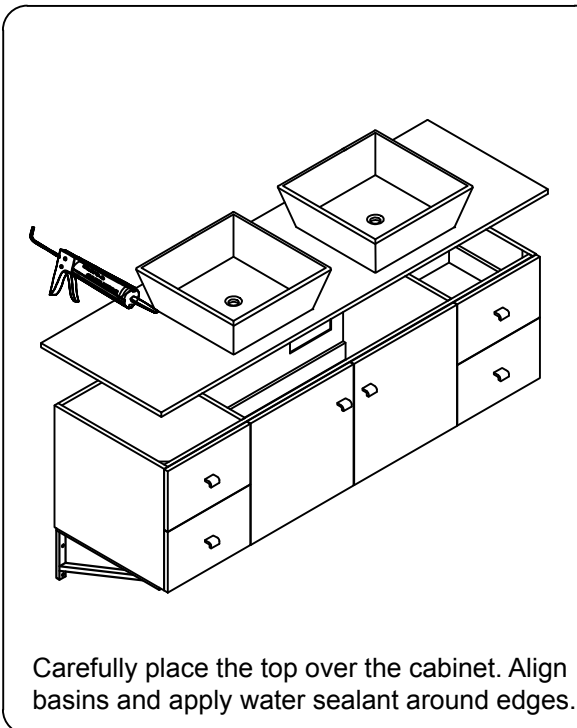
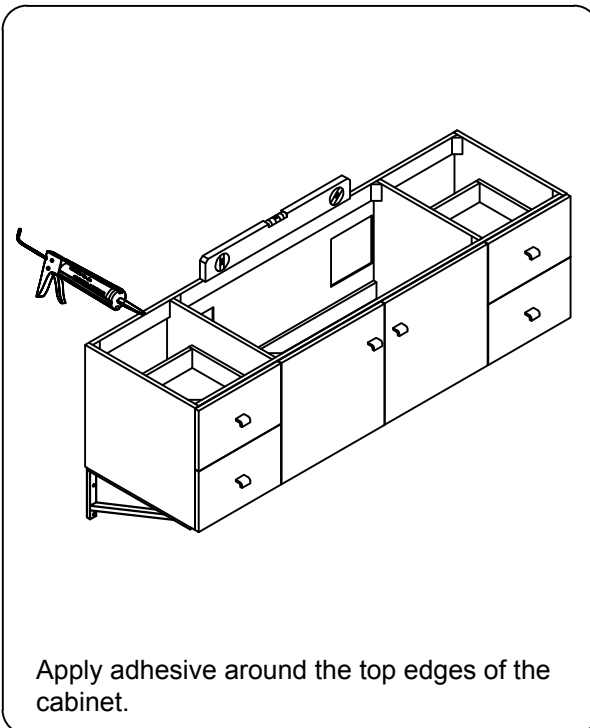
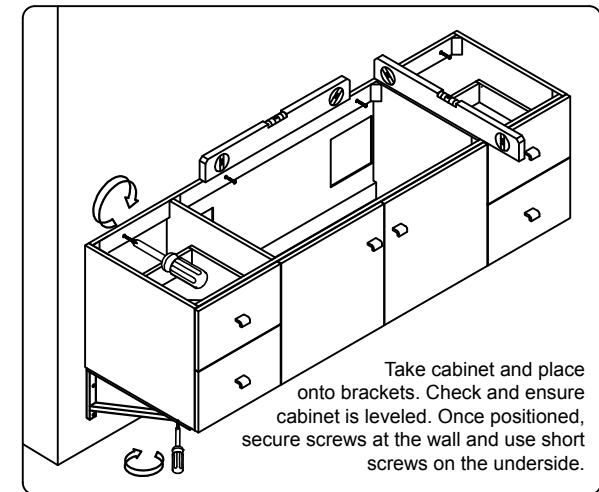
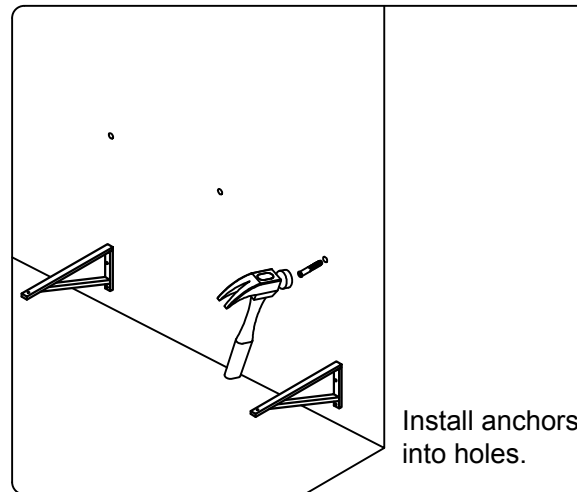
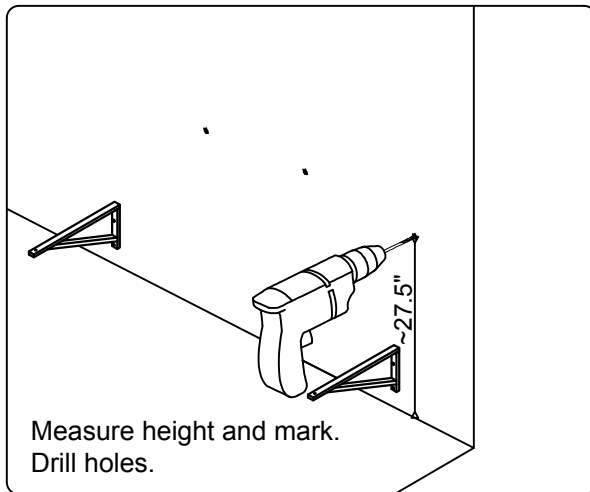
Install drywall anchors into holes.



Take the threaded washer (inset facing outward) and put the long screw through. Install the screw into the wall. Repeat for the other bracket.



Take the metal caps and twist clockwise until secure.

Cabinet Installation

Shelf Installation

