

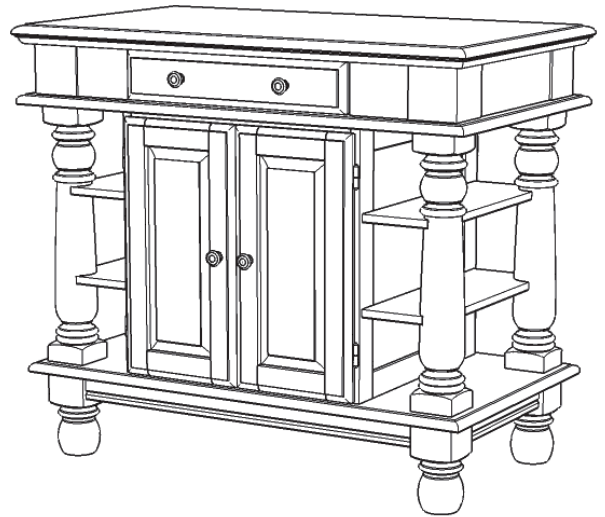
88 5082 941 Kitchen Island

IMPORTANT NOTE

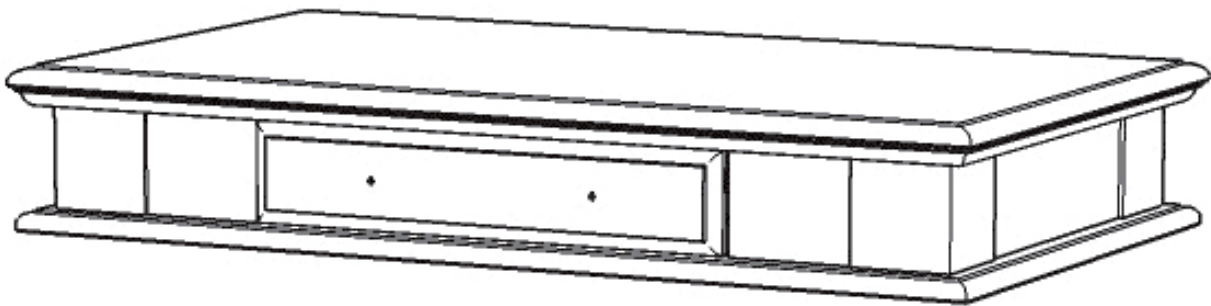
Carefully remove all the parts from the carton and put them individually on a soft cloth to prevent scratches or other damage occurring to the parts.

We have taken great care in the design of this product and request that you carefully and strictly follow our assembly instructions to ensure a completed product as it was designed.

*Home
Styles*



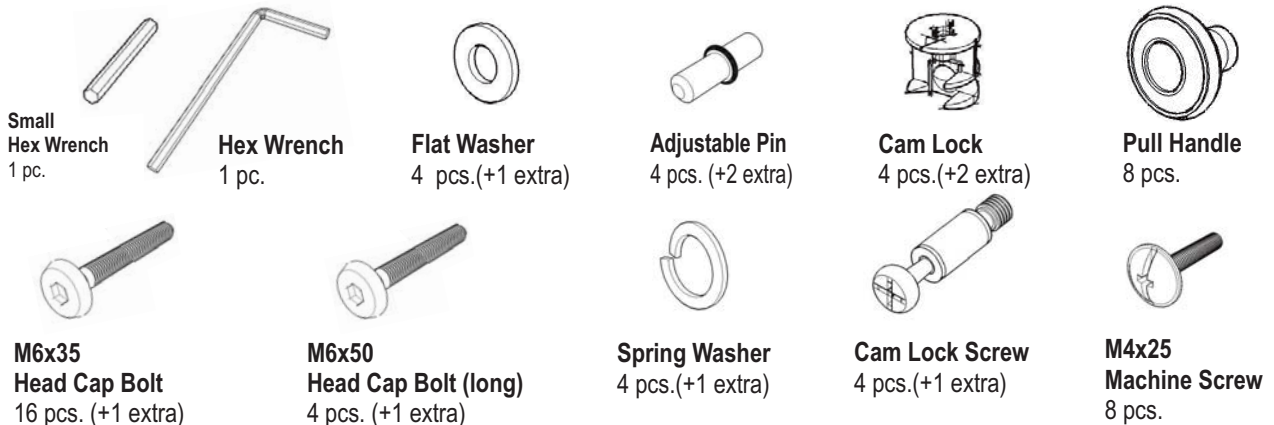
Part List



F.
Foot
4 pcs.

A.
Top
1 pc.

Hardware List



For assembly see instructions in carton 88 5082 942

Tools required for assembly : Phillips screwdriver

Tools recommended for assembly : Level

**Home Styles Consumer Assistance : www.homestyles-furniture.com,
servicedesk@homestyles-furniture.com, 888-680-7460, 877-831-0319**

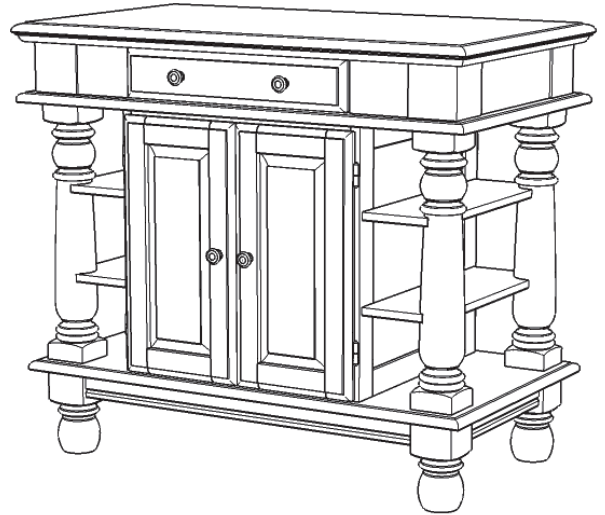
88 5082 942 Kitchen Island

IMPORTANT NOTE

Carefully remove all the parts from the carton and put them individually on a soft cloth to prevent scratches or other damage occurring to the parts.

We have taken great care in the design of this product and request that you carefully and strictly follow our assembly instructions to ensure a completed product as it was designed.

*Home
Styles*



Part List



**B.
Rail**
2 pcs.



**D.
Leg**
2 pcs.



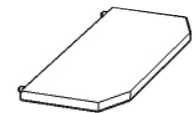
**E.
Leg**
2 pcs.



**C.
Side Panel**
2 pcs.



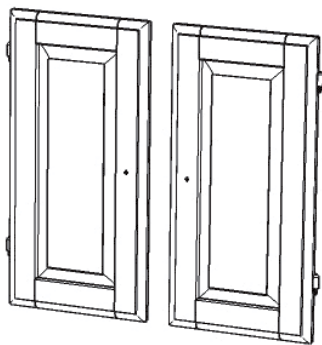
**G1.
Shelf**
2 pcs.



**G2.
Shelf**
2 pcs.



**J.
Shelf**
1 pc.



**H.
Door**
2 pcs.

**I.
Door**
2 pcs.



**K.
Base**
1 pc.



**L.
Stretcher**
2 pcs.

For assembly also need carton 88 5082 941

Part List in carton 88 5082 941

Top (A)	1 pc.
Foot (F)	4 pcs.

Hardware List in carton 88 5082 941

Hex Wrench	1 pc.
Small Hex Wrench	1 pc.
Cam Lock Screw	5 pcs.
Cam Lock	6 pcs.
Head Cap Bolt	17 pcs.
Head Cap Bolt (long)	5 pcs.
Spring Washer	5 pcs.
Flat Washer	5 pcs.
Adjustable Pin	6 pcs.
Pull Handle	8 pcs.
Machine Screw	8 pcs.

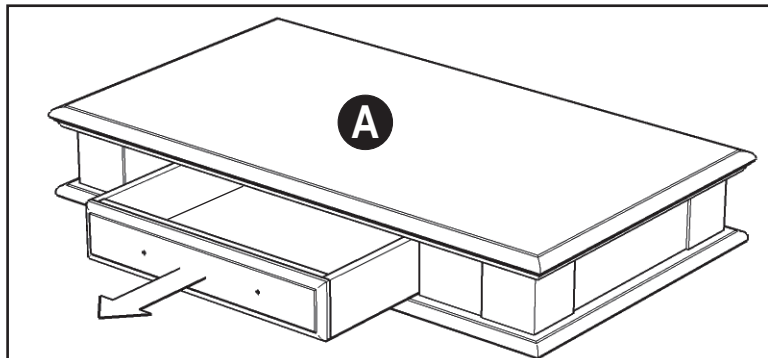
Tools required for assembly : Phillips screwdriver

Tools recommended for assembly : Level

**Home Styles Consumer Assistance : www.homestyles-furniture.com,
servicedesk@homestyles-furniture.com, 888-680-7460, 877-831-0319**

IMPORTANT

- * Please keep Hex Wrench in a safe place as you may need to tighten up the Head Cap Bolts in the future.
- * Do not tighten up all the bolts until each part is properly assembled.
- * After assembly, item must be level to work properly. Use the included adjustable levelers to level.



STEP 1

Remove the Drawer from Top (A).

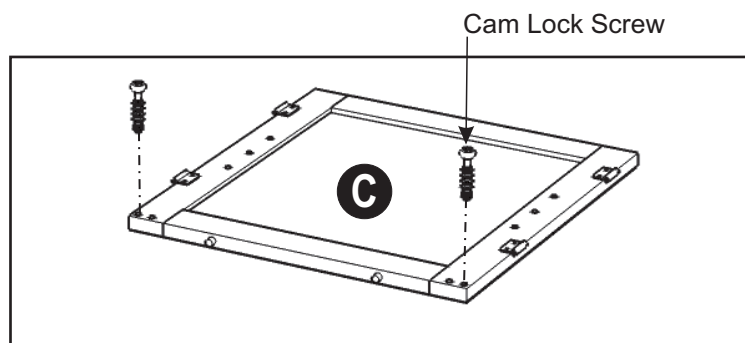


Figure 1

STEP 2

Insert Cam Lock Screws into the pre-drilled holes of Side Panels (C) and tighten. (See Figure 1)

Assemble Side Panel (C) and Rail (B) using Cam Lock. (See Figure 2)

Place the unit onto Top (A).

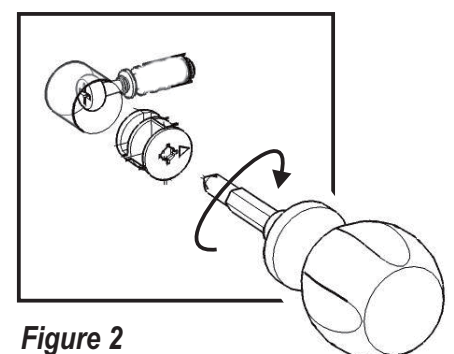
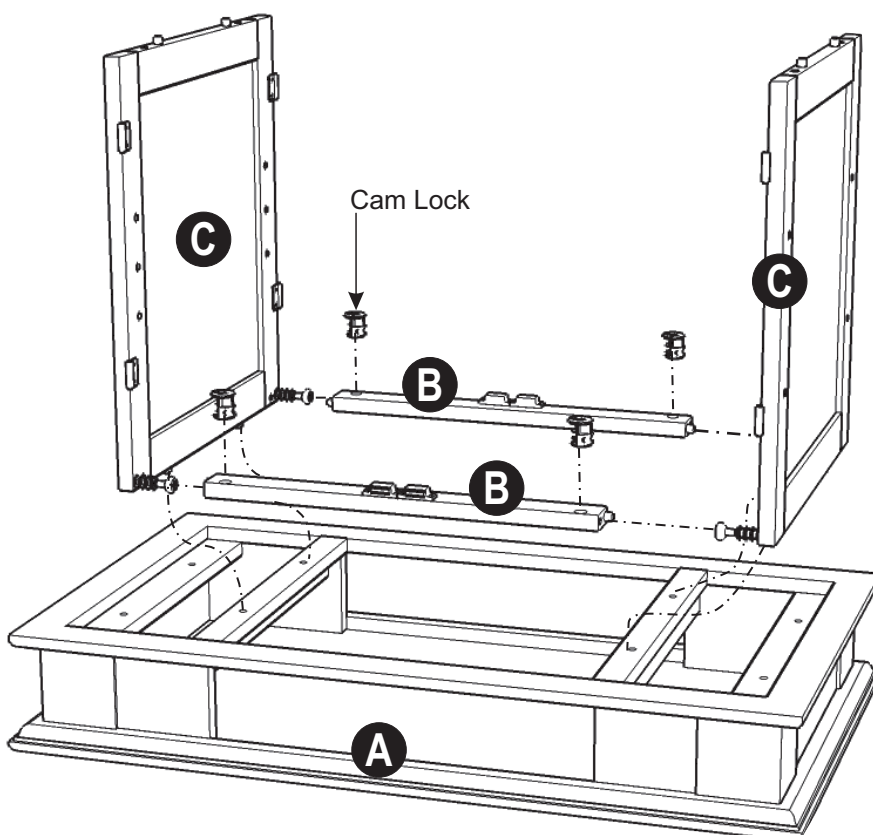


Figure 2

STEP 3

Attach Rail (L) to Leg (D) and (E) with Head Cap Bolts. (See Figure 3)

Attach Shelf (G1) and (G2) to unit at the pre-drilled holes of side panels, then, attach the assembled legs to unit with Head Cap Bolts.

Head Cap Bolt

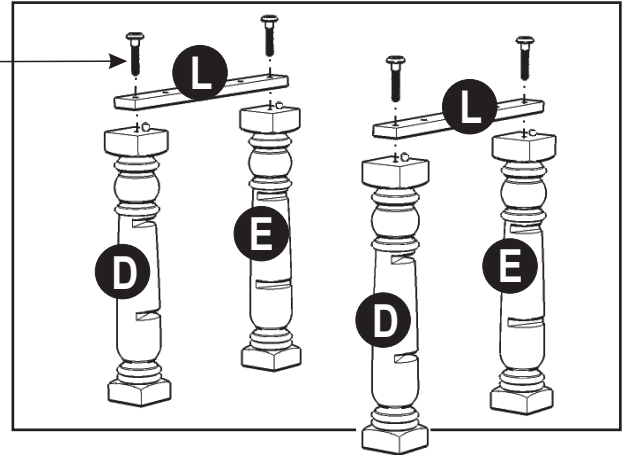
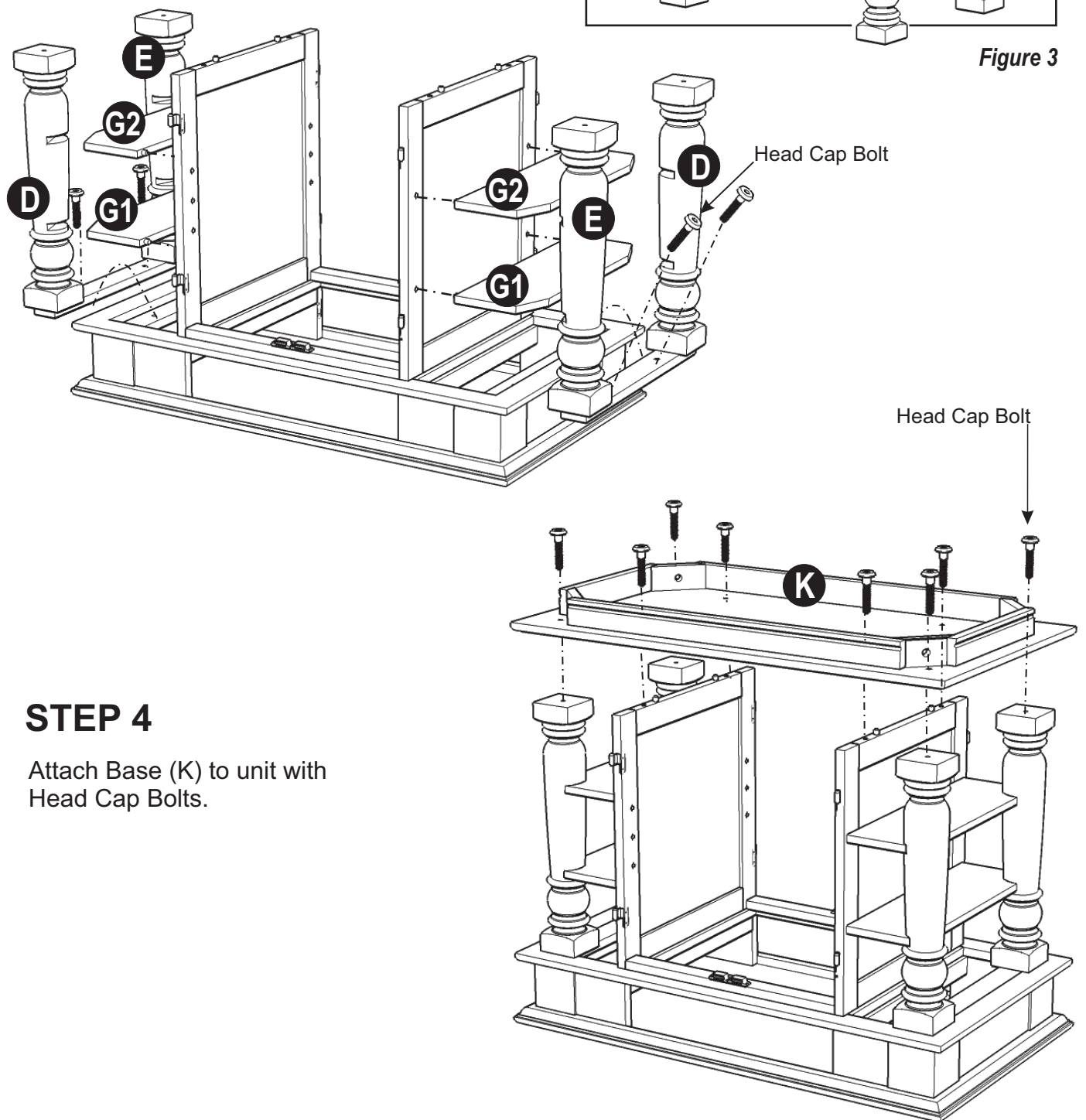


Figure 3



STEP 4

Attach Base (K) to unit with Head Cap Bolts.

STEP 5

Attach Feet (F) to Base (K) with Flat Washers, Spring Washers and Head Cap Bolts. (See Figure 4)

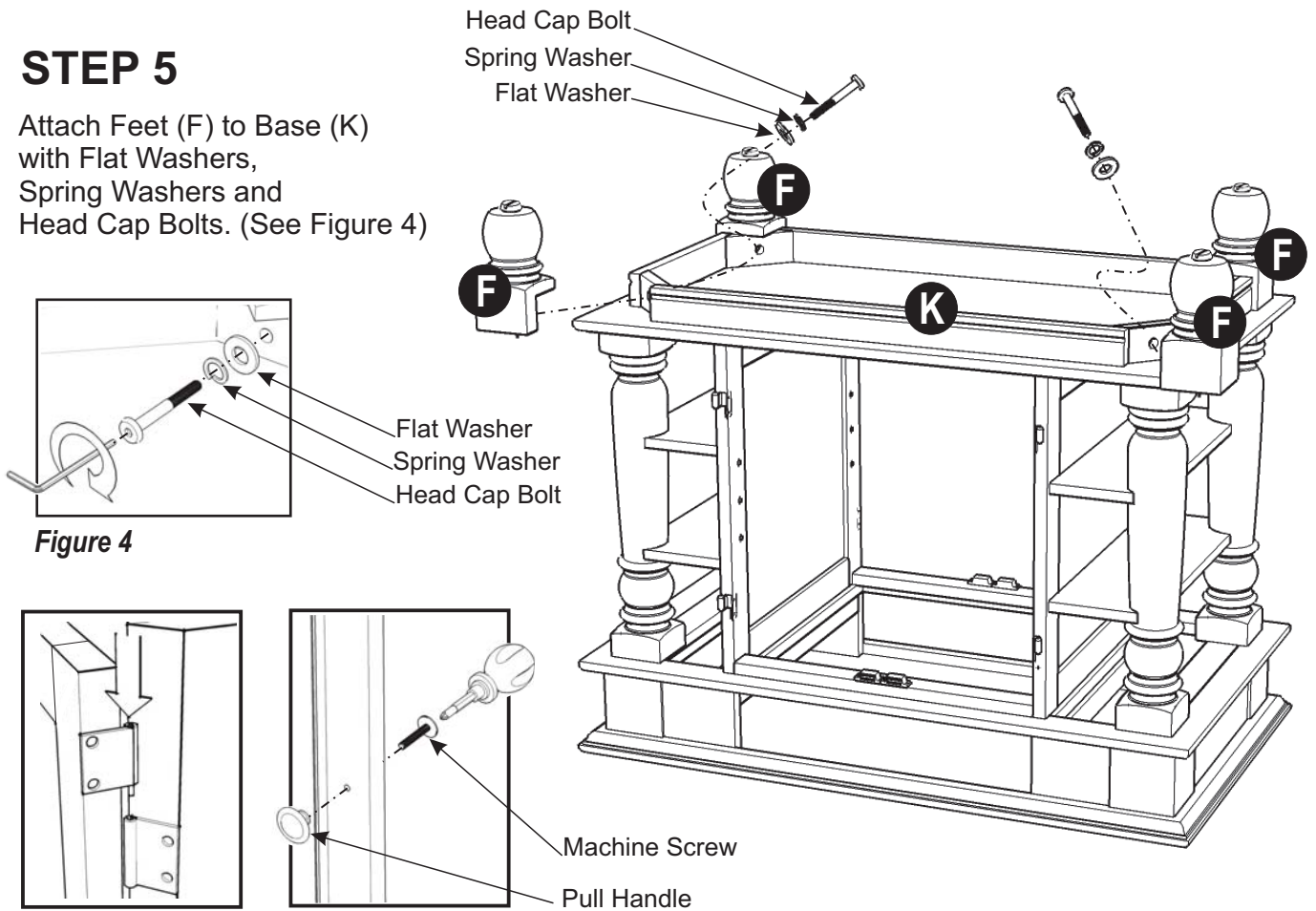


Figure 4

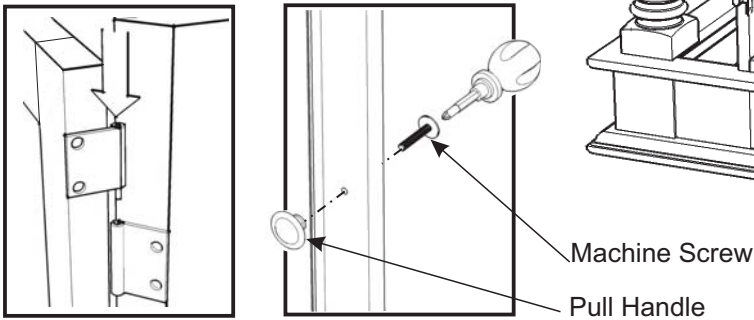


Figure 5

STEP 6

Attach Doors (H) and (I) by sliding the door lift hinges into the side panel lift hinges. (See Figure 5)

Assemble Pull Handles to Doors (H), (I) and Drawer with Machine Screws. (See Figure 6)

Slide Drawer into place.

Insert Adjustable Pins into side panels at the desired level.

Place Shelf (J) into position.

To level the unit, adjust the adjustable levelers on the bottom of unit. (See Figure 7)

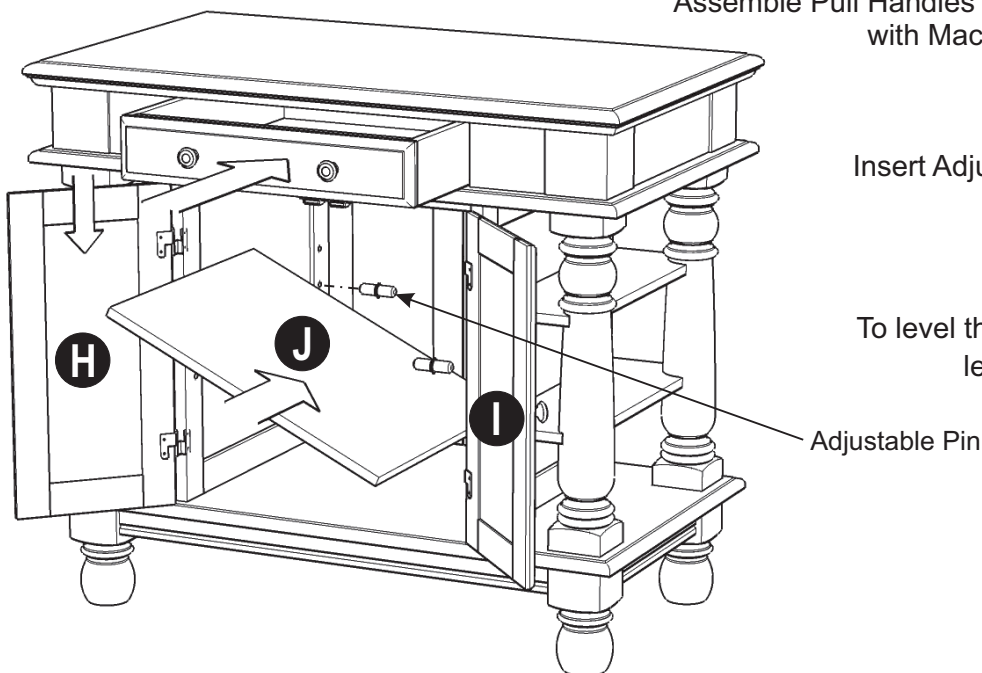


Figure 7