



## COTTAGE 24" VANITY

|                           |                     |
|---------------------------|---------------------|
| Supplier Model# CTAA2422D | S/O SKU# 360-092    |
| YOW Item# 221-981         | Internet# 100508069 |

Antique White finish

Wooden knobs

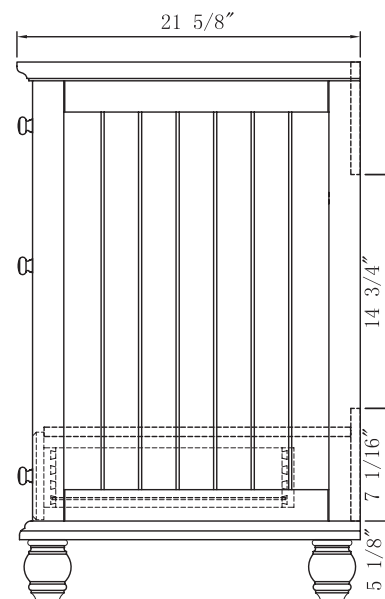
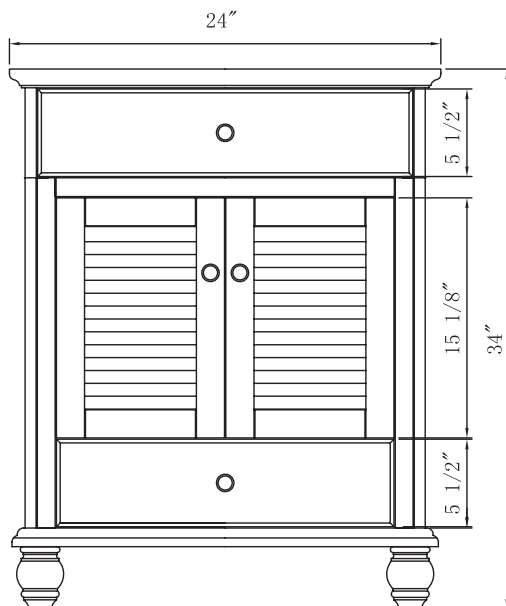
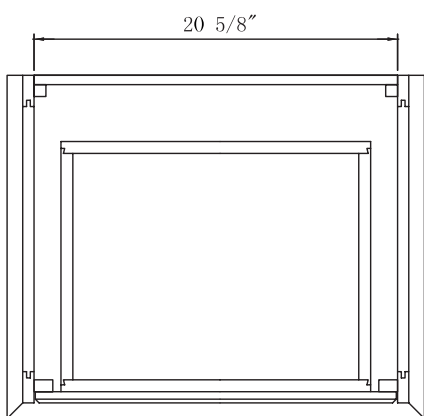
2 louvered doors and one lower full extension drawer

Exposed nickel hinges

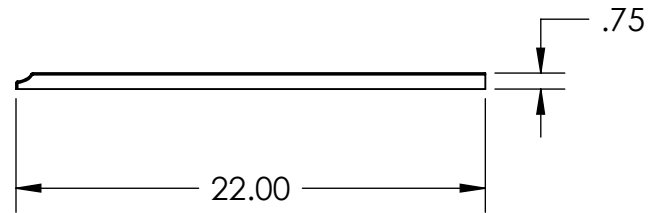
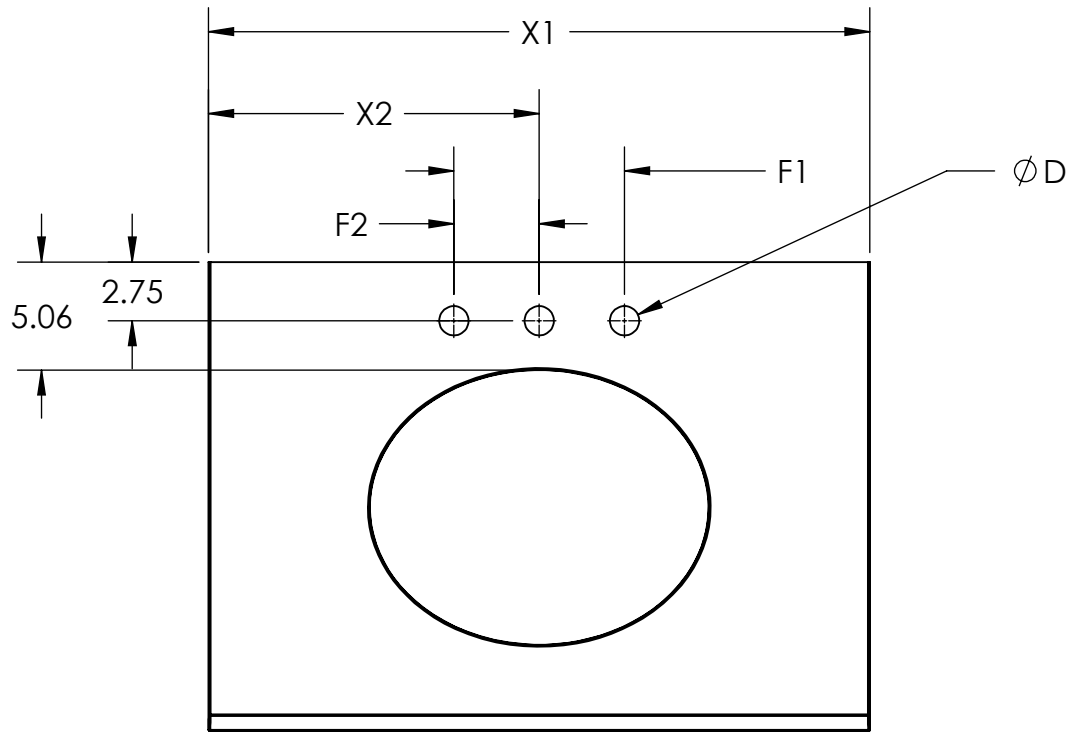
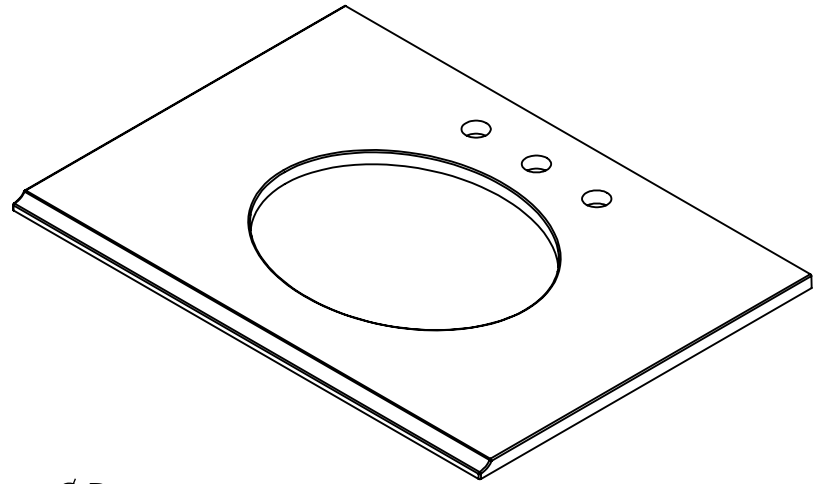
Fully assembled vanity with ready-to-attach bun feet

**Overall Dimensions: 24" x 21-5/8" x 34"H**

*Vanity top, sink and faucet not included*



|                         | X1 | X2   | F1 | F2 | D     |
|-------------------------|----|------|----|----|-------|
| Vanity Top 25x22        | 25 | 12.5 | 4  | 2  | 1.125 |
| Vanity Top 31x22        | 31 | 15.5 | 4  | 2  | 1.125 |
| Vanity Top 37x22        | 37 | 18.5 | 4  | 2  | 1.125 |
| Vanity Top 49x22        | 49 | 24.5 | 8  | 4  | 1.375 |
| Vanity Top 61x22 Single | 61 | 30.5 | 8  | 4  | 1.375 |



Note:  
Top will use Medium Oval Undermount



**PROPRIETARY AND CONFIDENTIAL**  
THE INFORMATION CONTAINED IN THIS DRAWING IS THE SOLE PROPERTY OF WOODCRAFTERS HOME PRODUCTS L.L.C. ANY REPRODUCTION IN PART OR AS A WHOLE WITHOUT THE WRITTEN PERMISSION OF WOODCRAFTERS HOME PRODUCTS L.L.C. IS PROHIBITED.

UNLESS OTHERWISE SPECIFIED  
DIMENSIONS ARE IN INCHES  
TOLERANCES:  
-0 +.125

|                      |             |                |
|----------------------|-------------|----------------|
| DRAWN BY:            | E. Sandoval | 3/26/2012      |
| CHECKED BY:          |             |                |
| APPROVED BY:         |             |                |
| DO NOT SCALE DRAWING | SCALE: 1:9  | SIZE: <b>A</b> |

|          |   |
|----------|---|
| TITLE:   | HD Dot Com Vanity Top<br>Colorpoint-Stone Effects - Custom Mold |
| PART NO: |   |
| PAGE     | 1 OF 1  |
| REV:     | <b>0</b>  |