

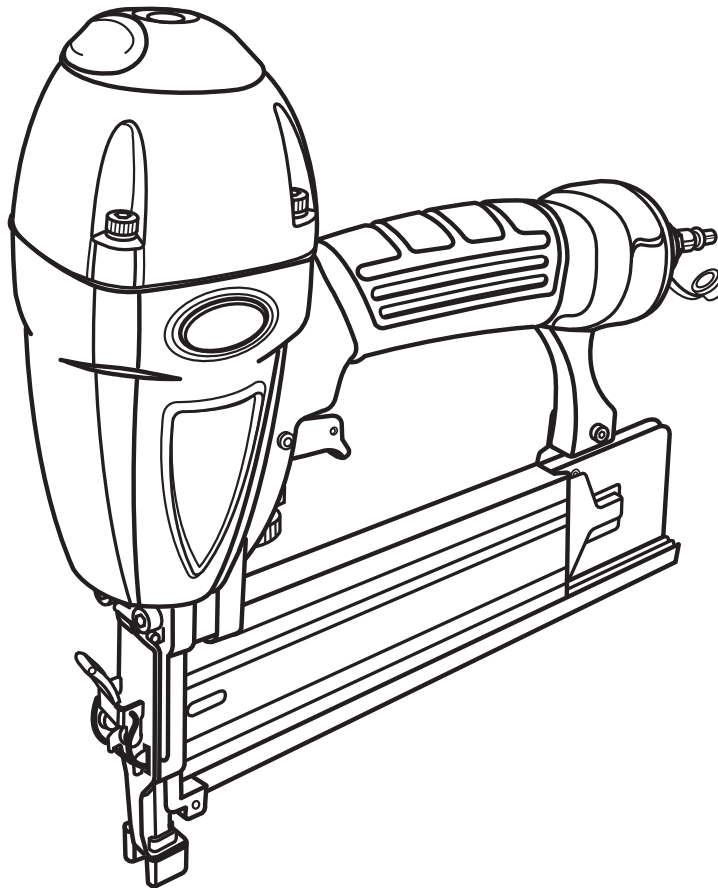


OPERATOR'S MANUAL

16 GAUGE STRAIGHT FINISH NAILER

CALIBRE 16 CLAVADORA DE ACABADO RECTA

H250SFA



SAVE THIS MANUAL FOR FUTURE REFERENCE

Your finish nailer has been engineered and manufactured to our high standard for dependability, ease of operation, and operator safety. When properly cared for, it will give you years of rugged, trouble-free performance.

⚠ WARNING: To reduce the risk of injury, the user must read and understand the operator's manual before using this product.

Thank you for your purchase.

Su clavadora de acabado recta ha sido diseñada y fabricada de conformidad con las estrictas normas para brindar fiabilidad, facilidad de uso y seguridad para el operador. Con el debido cuidado, le brindará muchos años de sólido y eficiente funcionamiento.

⚠ ADVERTENCIA: Para reducir el riesgo de lesiones, el usuario debe leer y comprender el manual del operador antes de usar este producto.

Le agradecemos su compra.

GUARDE ESTE MANUAL PARA FUTURAS CONSULTAS

TABLE OF CONTENTS

■ Introduction	2
Introducción	
■ General Safety Rules	3
Reglas de seguridad generales	
■ Specific Safety Rules.....	4-5
Reglas de seguridad específicas	
■ Symbols.....	6
Símbolos	
■ Glossary.....	7
Glosario	
■ Features.....	7
Características	
■ Assembly	8
Armado	
■ Operation.....	8-11
Funcionamiento	
■ Maintenance	12
Mantenimiento	12-13
■ Accessories	13
Accesorios	
■ Troubleshooting	13
Corrección de problemas	
■ Warranty	14
Garantía	
■ Figure numbers (illustrations)	15-16
Figura numeras (ilustraciones)	
■ Parts Ordering and Service	Back Page
Pedidos de piezas y servicio	Pág. posterior

INTRODUCTION

This product has many features for making its use more pleasant and enjoyable. Safety, performance, and dependability have been given top priority in the design of this product making it easy to maintain and operate.

* * *

Ce produit offre de nombreuses fonctions destinées à rendre son utilisation plus plaisante et satisfaisante. Lors de la conception de ce produit, l'accent a été mis sur la sécurité, les performances et la fiabilité, afin d'en faire un outil facile à utiliser et à entretenir.

GENERAL SAFETY RULES



DANGER:

READ AND UNDERSTAND TOOL LABELS AND MANUAL. Failure to follow warnings could result in DEATH or SERIOUS INJURY.

SAVE THESE INSTRUCTIONS

WORK AREA

- **Keep your work area clean and well lit.** Cluttered benches and dark areas invite accidents.
- **Do not operate power tools in explosive atmospheres, such as in the presence of flammable liquids, gases, or dust.** Power tools create sparks which may ignite the dust or fumes.
- **Keep bystanders, children, and visitors away while operating a power tool.** Distractions can cause you to lose control.

PERSONAL SAFETY

- **Eye protection which conforms to ANSI specifications and provides protection against flying particles both from the FRONT and SIDE should ALWAYS be worn by the operator and others in the work area when loading, operating or servicing this tool.** Eye protection is required to guard against flying fasteners and debris, which could cause severe eye injury.
- **The employer and/or user must ensure that proper eye protection is worn.** We recommend Wide Vision Safety Mask for use over eyeglasses or standard safety glasses that provide protection against flying particles both from the front and side. Always wear eye protection with side shields marked to comply with ANSI Z87.1.
- **Additional safety protection will be required in some environments.** For example, the working area may include exposure to noise level which can lead to hearing damage. The employer and user must ensure that any necessary hearing protection is provided and used by the operator and others in the work area. Some environments will require the use of head protection equipment. When required, the employer and user must ensure that head protection conforming to ANSI Z89.1-1997 is used.
- **Stay alert, watch what you are doing and use common sense when operating a power tool. Do not use tool while tired or under the influence of drugs, alcohol, or medication.** A moment of inattention while operating power tools may result in serious personal injury.
- **Dress properly. Do not wear loose clothing or jewelry. Contain long hair. Keep your hair, clothing, and gloves away from moving parts.** Loose clothes, jewelry, or long hair can be caught in moving parts.
- **Keep fingers away from trigger when not driving fasteners to avoid accidental firing.**

- **Do not overreach. Keep proper footing and balance at all times.** Proper footing and balance enables better control of the tool in unexpected situations.
- **Use safety equipment. Always wear eye protection.** Dust mask, nonskid safety shoes, hard hat, or hearing protection must be used for appropriate conditions.
- **Do not use on a ladder or unstable support.** Stable footing on a solid surface enables better control of the tool in unexpected situations.

TOOL USE AND CARE

- **Do not force tool. Use the correct tool for your application.** The correct tool will do the job better and safer at the rate for which it is designed.
- **Do not use tool if trigger does not actuate properly.** Any tool that cannot be controlled with the trigger is dangerous and must be repaired.
- **Check operation of the workpiece contact mechanism frequently.** Do not use the tool if the workpiece contact mechanism is not working correctly as accidental driving of a fastener may result. Do not interfere with the proper operation of the workpiece contact mechanism.
- **Store idle tools out of the reach of children and other untrained persons.** Tools are dangerous in the hands of untrained users.
- **Maintain tools with care.** Follow maintenance instructions. Properly maintained tools are easier to control.
- **Check for misalignment or binding of moving parts, breakage of parts, and any other condition that may affect the tool's operation. If damaged, have the tool serviced before using.** Many accidents are caused by poorly maintained tools.
- **Use only fasteners that are recommended for your model.**
- **Keep the tool and its handle dry, clean and free from oil and grease.** Always use a clean cloth when cleaning. Never use brake fluids, gasoline, petroleum-based products, or any strong solvents to clean your tool. Following this rule will reduce the risk of loss of control and deterioration of the enclosure plastic.

SERVICE

- **Tool service must be performed only by qualified repair personnel.** Service or maintenance performed by unqualified personnel may result in a risk of injury.
- **When servicing a tool, use only identical replacement parts. Follow instructions in the Maintenance section of this manual.** Use of unauthorized parts or failure to follow Maintenance instructions may create a risk of injury.

SPECIFIC SAFETY RULES

- **Know your pneumatic tool.** Read operator's manual carefully. Learn its applications and limitations, as well as the specific potential hazards related to this tool. Following this rule will reduce the risk of electric shock, fire, or serious injury.
 - **Always wear eye protection with side shields marked to comply with ANSI Z87.1.** Failure to do so could result in objects being thrown into your eyes resulting in possible serious injury.
 - **Protect your lungs.** Wear a face or dust mask if the operation is dusty. Following this rule will reduce the risk of serious personal injury.
 - **Protect your hearing.** Wear hearing protection during extended periods of operation. Following this rule will reduce the risk of serious personal injury.
 - **Make sure the hose is free of obstructions or snags.** Entangled or snarled hoses can cause loss of balance or footing and may become damaged.
 - **Use the tool only for its intended use.** Do not discharge fasteners into open air.
 - **Use the pneumatic tool only for the purpose for which it was designed.**
 - **Use only the fasteners recommended for this tool.** Use of the wrong fasteners could result in poor fastener feeding, jammed fasteners, and nails leaving the tool at erratic angles. If fasteners are not feeding smoothly and properly, discontinue their use immediately. Jammed and improperly feeding fasteners could result in serious personal injury.
 - **Never use this tool in a manner that could cause a fastener to be directed toward anything other than the workpiece.**
 - **Do not use the tool as a hammer.**
 - **Always carry the tool by the handle.** Never carry the tool by the air hose.
 - **Do not alter or modify this tool from the original design or function without approval from the manufacturer.**
 - **Always be aware that misuse and improper handling of this tool can cause injury to yourself and others.**
 - **Never clamp or tape the trigger or workpiece contact in an actuated position.**
 - **Never leave a tool unattended with the air hose attached.**
 - **Do not operate this tool if it does not contain a legible warning label.**
 - **Do not continue to use a tool that leaks air or does not function properly.**
- ## OPERATION
- **Always assume that the tool contains fasteners.**
 - **Do not carry the tool from place to place holding the trigger.** Accidental discharge could result.
 - **Always handle the tool with care:**
 - Respect the tool as a working implement.
 - Never engage in horseplay.
 - Never pull the trigger unless nose is directed toward the work.
 - Keep others a safe distance from the tool while tool is in operation as accidental actuation may occur, possibly causing injury.
 - **Choice of triggering method is important. Check manual for triggering options.**
 - **Pneumatic tools are designed for single-hand use.** Do not hold the tool by the front of the magazine. Do not put hands, head, or other parts of your body near the bottom of the magazine where the nail exits the tool, as serious personal injury could result.
 - **Do not point the tool toward yourself or anyone whether it contains fasteners or not.**
 - **When driving nails at an angle, make sure that the tool is pointed away from yourself and others.**
 - **Do not actuate the tool unless you intend to drive a fastener into the workpiece.**
 - **Always ensure that the workpiece contact is fully positioned above the workpiece.** Positioning the workpiece contact only partially above the workpiece could cause the fastener to miss the workpiece completely and result in serious personal injury.
 - **Do not drive fasteners near edge of material.** The workpiece may split causing the fastener to ricochet, injuring you or a co-worker. Be aware that the fastener may follow the grain of the wood, causing it to protrude unexpectedly from the side of the work material.
 - **Keep hands and body parts clear of immediate work area.** Hold workpiece with clamps when necessary to keep hands and body out of potential harm. Be sure the workpiece is properly secured before pressing the fastener against the material. The workpiece contact may cause the work material to shift unexpectedly.
 - **Keep face and body parts away from back of the tool cap when working in restricted areas.** Sudden recoil can result in impact to the body, especially when nailing into hard or dense material.
 - **During normal use the tool will recoil immediately after driving a fastener. This is a normal function of the tool.** Do not attempt to prevent the recoil by holding the nailer against the work. Restriction to the recoil can result in a second fastener being driven from the nailer. Grip the handle firmly, let the tool do the work and do not place second hand on top of tool or near exhaust at any time. Failure to heed this warning can result in serious personal injury.

SPECIFIC SAFETY RULES

- Do not drive fasteners on top of other fasteners or with the tool at an overly steep angle as this may cause deflection of fasteners which could cause injury.
- Do not drive fasteners close to the edge of the workpiece as the wood may split, allowing the fastener to be deflected possibly causing injury.

AIR SUPPLY AND CONNECTIONS

- Do not use oxygen, combustible gases or bottled gases as a power source for this tool as tool will explode, possibly causing injury or death.
- Do not use with an air compressor which can potentially exceed 200 psi as tool may burst, possibly causing injury.
- The connector on the tool must not hold pressure when air supply is disconnected. If an incorrect fitting is used, the tool can remain charged with air after disconnecting and thus will be able to drive a fastener even after the air line is disconnected, possibly causing injury.
- Always disconnect air supply:
 - Before making adjustments
 - When servicing the tool
 - When clearing a jam
 - When tool is not in use

- When moving to a different work area, as accidental actuation may occur, possibly causing injury.

LOADING TOOL

- Do not load the tool with fasteners when any one of the operating controls is activated.

When loading tool:




- Never place a hand or any part of body in fastener discharge area of tool.
- Never point tool at anyone.
- Do not pull the trigger or depress the workpiece contact as accidental actuation may occur, possibly causing injury.

SAVE THESE INSTRUCTIONS







- Refer to them frequently and use them to instruct others who may use this tool. If you loan someone this tool, loan them these instructions also.

SYMBOLS

The following signal words and meanings are intended to explain the levels of risk associated with this product.

SYMBOL	SIGNAL	MEANING
	DANGER:	Indicates an imminently hazardous situation, which, if not avoided, will result in death or serious injury.
	WARNING:	Indicates a potentially hazardous situation, which, if not avoided, could result in death or serious injury.
	CAUTION:	Indicates a potentially hazardous situation, which, if not avoided, may result in minor or moderate injury.
	CAUTION:	(Without Safety Alert Symbol) Indicates a situation that may result in property damage.

Some of the following symbols may be used on this tool. Please study them and learn their meaning. Proper interpretation of these symbols will allow you to operate the tool better and safer.

SYMBOL	NAME	DESIGNATION/EXPLANATION
	Safety Alert	Indicates a potential personal injury hazard
	Read The Operator's Manual	To reduce the risk of injury, user must read and understand operator's manual before using this product.
	Eye Protection	Always wear eye protection with side shields marked to comply with ANSI Z87.1.
	Eye, Ear and Head Protection	Always wear eye protection with side shields marked to comply with ANSI Z87.1, along with hearing and head protection when needed.
	Keep Hands Away	Keep hands and body away from the discharge area of the tool.
	Hot Surface	To reduce the risk of injury or damage, avoid contact with any hot surface.

GLOSSARY OF TERMS

Activate (operating controls)

To move an operating control so that it is in a position that allows the tool to be actuated or that satisfies one requirement for the tool to be actuated.

Actuate (tool)

To cause movement of the tool component(s) intended to drive a fastener.

Air inlet port

In an air tool, the opening to which the compressed air supply is connected, usually by means of a threaded fitting.

Fastener

A staple, pin, brad, nail, or other fastening device which is designed and manufactured for use in the tools within the scope of this standard.

Jam

An obstruction in the feed or drive areas of the tool.

Maximum air pressure

The maximum allowable pressure of the compressed air, as specified by the manufacturer, for operating a tool.

Operating control

A control that separately, or as part of an actuation system, can cause the actuation of a tool.

Single sequential actuation

An actuation system in which there is more than one operating control and the operating controls must be activated in a specific sequence to actuate the tool. Additional actuation can occur when a specific operating control, other than a workpiece contact, is released and re-activated.

Trigger

A tool operating control activated by a tool operator's fingers.

Workpiece

The intended object into which a fastener is to be driven by a tool.

Workpiece contact

An operating control element or assembly on the tool intended to be activated by the material to be fastened.

FEATURES

PRODUCT SPECIFICATIONS

Operating Pressure.....	70-120 psi	Air Consumption.....	0.0941ft ³ /cycle at 100 psi
Fastener Type	16 gauge finish nails	Air Inlet	1/4 in. NPT
Fastener Range	1-1/4 in. to 2-1/2 in.	Weighted sound impulse power level.....	101.5 dBA
Magazine Capacity.....	100 nails	Weight	4.27 lbs.

KNOW YOUR STRAIGHT FINISH NAILER

See Figure 1, page 15.

The safe use of this product requires an understanding of the information on the product and in this operator's manual as well as a knowledge of the project you are attempting. Before use of this product, familiarize yourself with all operating features and safety rules.

ADJUSTABLE EXHAUST

The exhaust can be adjusted 360° depending on operator preference.

DEPTH OF DRIVE ADJUSTMENT

The tool-free depth of drive adjustment lets the operator select precise driving depth of the fastener.

DUST CAP

The dust cap helps prevent dust and debris from entering the air fitting. Cover the air fitting with the dust cap when not in use.

NO-MAR NOSEPIECE

The no-mar nosepiece prevents marring and denting when using the tool on softer woods.

REAR-LOADING MAGAZINE

The rear-loading magazine allows easy three-step loading of fasteners.

TRIGGER

Your finish nailer has a single sequential trigger for precise fastener placement.

ASSEMBLY

UNPACKING

This product has been shipped completely assembled.

- Carefully remove the tool and any accessories from the box. Make sure that all items listed in the packing list are included.

WARNING:

Do not use this product if it is not completely assembled or if any parts appear to be missing or damaged. Use of a product that is not properly and completely assembled could result in serious personal injury.

- Inspect the tool carefully to make sure no breakage or damage occurred during shipping.
- Do not discard the packing material until you have carefully inspected and satisfactorily operated the tool.
- If any parts are damaged or missing, please call 1-866-340-3912 for assistance.

PACKING LIST

Straight Finish Nailer

Oil (If part of a multi tool kit only 1 oil bottle per combo)

Sample Fasteners

Hex Keys (3 mm and 4 mm)

Operator's Manual

WARNING:

If any parts are damaged or missing do not operate this tool until the parts are replaced. Use of this product with damaged or missing parts could result in serious personal injury.

WARNING:

Do not attempt to modify this tool or create accessories not recommended for use with this tool. Any such alteration or modification is misuse and could result in a hazardous condition leading to possible serious personal injury.

OPERATION

DANGER:

Do not use oxygen, combustible gases or bottled gases as a power source for this tool. The tool will explode and cause death or serious injury.

WARNING:

Do not allow familiarity with tools to make you careless. Remember that a careless fraction of a second is sufficient to inflict severe injury.

WARNING:

Always wear eye protection with side shields marked to comply with ANSI Z87.1. Failure to do so could result in objects being thrown into your eyes resulting in possible serious injury.

WARNING:

Disconnect the tool from the air supply before leaving the work area, moving the tool to another location, or handing the tool to another person. Failure to do so could result in serious personal injury.

APPLICATIONS

You may use this tool for the purposes listed below:

- Finish and Trim (interior and exterior)
- Decorative Trim
- Book Cases
- Baseboard
- Cabinets
- Case Backs
- Drawers
- Molding
- Mirror and Picture Frames
- Paneling
- Shoe & Base Moldings
- Staircases
- Upholstery Trim Panels
- Wainscoting
- Window Beading
- Chair Rail
- Furniture Frames
- Lattice Strip Molding
- Nailable Plastic Parts
- Crafts

OPERATION

WARNING:

Always wear eye protection. Eye protection does not fit all operators in the same way. Make sure the eye protection chosen has side shields or provides protection from flying debris both from the front and sides.

PREPARING THE TOOL FOR USE

See Figure 2, page 15.

Under normal use conditions, the tool should be lubricated before connecting the tool to an air supply. Add air tool oil into the air fitting on the tool once daily with minimal use, or twice a day with heavy use. Only a few drops of oil at a time is necessary. Too much oil will only collect inside the tool and will be noticeable in the exhaust cycle.

Before connecting the tool, check the air compressor gauge to be sure it is functioning within the proper range of 70-120 psi.

DUST CAP

See Figure 2, page 15.

The dust cap helps prevent dust and debris from entering the air fitting. Cover the air fitting with the dust cap when storing the tool.

NO-MAR NOSEPIECE

See Figure 3, page 15.

The no-mar nosepiece attached to the nose of the tool helps prevent marring and denting when working with softer woods.

When requesting a replacement nosepiece, request part number 079065001203.

WARNING:

Disconnect the tool from the air supply before removing or replacing the no-mar nosepiece. Failure to do so could result in serious personal injury.

The no-mar nosepiece can be removed by pulling it down and away from the nose. To replace the no-mar nosepiece, fit it into place over the nose and push up at the back to reseal.

ADJUSTING THE EXHAUST

See Figure 4, page 15.

The adjustable exhaust on the top cap of the tool allows the operator to direct the exhaust according to operator preference. To adjust, turn the exhaust cap until the exhaust blows in the desired direction.

WARNING:

Disconnect the tool from the air supply before leaving the work area, moving the tool to another location, or handing the tool to another person. Failure to do so could result in serious personal injury.

CONNECTING THE TOOL TO AN AIR SUPPLY

See Figure 5, page 16.

DANGER:

Do not use oxygen, combustible gases or bottled gases as a power source for this tool. The tool will explode and cause death or serious injury.

This tool is designed to operate on clean, dry compressed air at regulated pressures between 70 and 120 psi. The correct air pressure is the lowest pressure that will do the job.

NOTE: Air pressure that is higher than 120 psi may damage the tool.

The tool and air hose must have a hose coupling that allows all pressure to be removed from the tool when the coupling is disconnected.

WARNING:

Always use a coupling that discharges all the compressed air in the tool at the time the fitting or hose coupling is disconnected. Using a coupling that does not discharge the compressed air could cause unintended operation and serious personal injury.

WARNING:

Do not climb rigging or scaffolding while carrying a tool that is connected to an air hose. Doing so could result in serious personal injury.

Connect the tool to the air supply with a 1/4 in. female quick connector.

LOADING THE TOOL WITH NAILS

See Figures 6 - 7, page 16.

- Connect the tool to the air supply.

WARNING:

The tool's driving mechanism may cycle when the tool is first connected to the air supply. Always connect the tool to the air supply before loading nails to prevent injury from unintended cycling. Always make sure the tool's magazine is empty at the beginning of each work session, before connecting to an air supply.

WARNING:

Keep the tool pointed away from yourself and others when loading nails. Failure to do so could result in possible serious personal injury.

OPERATION

WARNING:

Use only the nails recommended for use with this tool. The use of any other nails can result in tool malfunction, leading to serious injuries.

WARNING:

Never load nails with the workpiece contact or trigger activated. Doing so could result in possible serious personal injury.

- Pull the push latch to rear of magazine and lock into slots.
- With the nose of the tool pointed away from you, insert a strip of nails into the magazine on push plate side. Be sure the nails are pointed downward.

CORRECT NAIL POSITION

- Nails should always be inserted with the points downward, fitting into the nail track, or as close as possible to the nail track.
- Nail strip should be resting on channel in front of push plate.
- To close the magazine, release the push latch from the locked position and allow push plate to move forward, pushing the nails into position.

DRIVING A FASTENER

See Figure 8, page 16.

WARNING:

Never wedge or hold back the workpiece contact mechanism during operation of the tool. Doing so could result in possible serious injury.

SINGLE SEQUENTIAL ACTUATION

Single sequential actuation provides accurate fastener placement.

- Connect the tool to the air supply.
- Grip the tool firmly to maintain control. Position the nose of the tool onto the work surface.
- Push the tool against the work surface to depress the workpiece contact.
- Pull the trigger to drive a fastener.
- Allow the tool to recoil away from the work surface as the fastener is driven.

WARNING:

During normal use the tool will recoil immediately after driving a fastener. This is a normal function of the tool. Do not attempt to prevent the recoil by holding the nailer against the work. Restriction to the recoil can result in a second fastener being driven from the nailer. Grip the handle firmly, let the tool do the work, and do not place second hand on top of tool or near exhaust at any time. Failure to heed this warning can result in serious personal injury.

SETTING THE AIR PRESSURE

The amount of air pressure required will depend on the size of the nail and the workpiece material.

Begin testing the depth of drive by driving a test nail into the same type of workpiece material used for the actual job.

Drive a test nail with the air pressure set at 90-95 psi. Raise or lower the air pressure to find the lowest setting that will perform the job with consistent results.

It may be possible to achieve the desired depth with air pressure adjustments alone. If finer adjustments are needed, use the drive depth adjustment on the tool.

DRIVE DEPTH ADJUSTMENT

See Figure 9, page 16.

The driving depth of the nail may be adjusted. It is advisable to test the depth on a scrap workpiece to determine the required depth for the application.

To determine depth of drive, first adjust the air pressure and drive a test nail. To achieve the desired depth, use the drive depth adjustment on the tool.

- Disconnect the tool from the air supply.
- Turn the depth selector left or right to change the driving depth.
- Reconnect the tool to the air supply.
- Drive a test nail after each adjustment until the desired depth is set.

WARNING:

Disconnect the tool from the air supply before removing nails. Failure to do so could result in serious personal injury.

OPERATION

REMOVING NAILS FROM THE TOOL

See Figure 10, page 16.

- Disconnect the tool from the air supply.
- To remove a strip of nails from the tool, depress the latch located at the rear of the magazine and slide the magazine open.
- Remove the nail strip.
- To close the magazine, depress the latch and push the magazine forward. Release the latch to hold the magazine in place.



WARNING:

Disconnect the tool from the air supply before clearing a jammed fastener. Failure to do so could result in serious personal injury.

CLEARING A JAMMED FASTENER

See Figure 11, page 16.

If a nail or fastener becomes jammed in the tool, disconnect the air hose and keep the tool pointed away from you while clearing the jam.

- Disconnect the tool from the air supply.
- Open jam release door.
- Insert a flat blade screwdriver under jammed nail. Pry out nail, use pliers if necessary.
- Remove the bent fastener.
- Use the flat blade screwdriver to push the driver blade to its top position.
- Reconnect the tool to the air supply.
- Reinstall fasteners and close the magazine.

MAINTENANCE

WARNING:

When servicing use only identical replacement parts. Use of any other parts may create a hazard or cause product damage.

WARNING:

Always wear eye protection with side shields marked to comply with ANSI Z87.1. Failure to do so could result in objects being thrown into your eyes resulting in possible serious injury.

WARNING:

Disconnect the tool from the air supply before performing maintenance. Failure to do so could result in serious personal injury.

GENERAL MAINTENANCE

Avoid using solvents when cleaning plastic parts. Most plastics are susceptible to damage from various types of commercial solvents and may be damaged by their use. Use clean cloths to remove dirt, dust, oil, grease, etc.

WARNING:

Do not at any time let brake fluids, gasoline, petroleum-based products, penetrating oils, etc., come in contact with plastic parts. Chemicals can damage, weaken or destroy plastic which may result in serious personal injury.

LUBRICATION

Frequent, but not excessive, lubrication is required for best performance. Oil for pneumatic fastening tools added through the air line connection will lubricate the internal parts. Do not use detergent oil or additives as these lubricants will cause accelerated wear to the seals and bumpers in the tool, resulting in poor tool performance and frequent tool maintenance.

COLD WEATHER OPERATION

For cold weather operation, near and below freezing, the moisture in the air line may freeze and prevent tool operation. We recommend the use of air tool lubricant or permanent antifreeze (ethylene glycol) as a cold weather lubricant.

CAUTION:

Do not store tools in a cold weather environment to prevent frost or ice formation on the tools' operating valves and mechanisms that could cause tool failure.

NOTE: Some commercial air line drying liquids are harmful to "O" rings and seals. Do not use these low temperature air dryers without checking compatibility.

AIR SUPPLY PRESSURE AND VOLUME

Air volume is as important as air pressure. The air volume supplied to the tool may be inadequate because of undersize fittings and hoses, or from the effects of dirt and water in the system. Restricted air flow will prevent the tool from receiving an adequate volume of air, even though the pressure reading is high. The results will be a slow operation or reduced driving power. Before evaluating tool problems for these symptoms, trace the air supply from the tool to the supply source for restrictive connectors, low points containing water and anything else that would prevent full volume flow of air to the tool.

REQUIRED DAILY CHECKLIST

- Disconnect the air supply from the tool and remove all fasteners.
- Check all screws, nuts, bolts, and pins on the tool. If any of these are loose, they must be tightened with the appropriate size wrench.
- Press the workpiece contact against a workpiece to ensure that it moves smoothly.
- With the workpiece contact depressed, pull the trigger. The trigger should move smoothly, without binding.
- While the tool is not loaded, connect the appropriate air supply (at 70 psi) to the tool.
- Without pulling the trigger, press the workpiece contact against a workpiece several times. The tool must not operate. No air should leak from the tool.
- With the workpiece contact not engaged on the workpiece, point the tool down and away and pull the trigger several times. Hold the trigger in this position for a minimum of 5 seconds. The tool must not operate.
- Press the workpiece contact firmly against the workpiece. Pull the trigger. The tool must operate.
- With the workpiece contact still depressed, release the trigger. The driver must return to its up position.
- If the tool successfully meets all the requirements in this checklist, it is ready for use. Load the proper fasteners for the desired application.
- Set the depth of drive according to the **Drive Depth Adjustment** section in this manual. Repeat this checklist before using the tool each day, or if the tool is dropped or damaged in any way.

ACCESSORIES

To order parts and maintenance kits, call 1-866-340-3912.

Oil and Wrench Kit.....	.079065001262
Overhaul Kit.....	.079065001263
Driver Maintenance Kit.....	.079065001264
Driver Assembly Kit.....	.079065001265

 **WARNING:**

Current attachments and accessories available for use with this tool are listed above. Do not use any attachments or accessories not recommended by the manufacturer of this tool. The use of attachments or accessories not recommended can result in serious personal injury.

TROUBLESHOOTING

PROBLEM	POSSIBLE CAUSE	SOLUTION
Air leak near the top of the tool or in the trigger area	Loose screws Worn or damaged O-rings or seals	Tighten screws Install Overhaul Kit
Air leak near the bottom of the tool	Loose screws Worn or damaged O-rings or bumper	Tighten screws Install Overhaul Kit
Tool does nothing or operates sluggishly	Inadequate air supply Inadequate lubrication Worn or damaged O-rings or bumper	Verify adequate air supply Lubricate tool Install Overhaul Kit
Tool jams frequently	Incorrect fasteners Damaged fasteners Loose magazine Dirty magazine Worn or damaged driver	Verify that fasteners are the correct size Replace fasteners Tighten screws Clean magazine Install Driver Maintenance Kit

WARRANTY

LIMITED WARRANTY STATEMENT

One World Technologies, Inc. warrants to the original retail purchaser that this One World Technologies, Inc. product is free from defect in material and workmanship and agrees to repair or replace, at One World Technologies, Inc.'s discretion, any defective product free of charge within these time periods from the date of purchase.

- Two years if the product is used for personal, family or household use;
- 90 days, if used for any other purpose, such as commercial or rental.

This warranty extends to the original retail purchaser only and commences on the date of the original retail purchase.

Any part of the One World Technologies, Inc. product manufactured or supplied by One World Technologies, Inc. and found in the reasonable judgment of One World Technologies, Inc. to be defective in material or workmanship will be repaired or replaced by an authorized One World Technologies, Inc. service dealer without charge for parts and labor.

The product, including any defective part, must be returned to an authorized service dealer within the warranty period. The expense of delivering the One World Technologies, Inc. product to the dealer for warranty work and the expense of returning it back to the owner after repair or replacement will be paid by the owner. One World Technologies, Inc.'s responsibility in respect to claims is limited to making the required repairs or replacements and no claim of breach of warranty shall be cause for cancellation or rescission of the contract of sale of any One World Technologies, Inc. product. Proof of purchase will be required by the dealer to substantiate any warranty claim. All warranty work must be performed by an authorized One World Technologies, Inc. service dealer.

This warranty is limited to ninety (90) days from the date of original retail purchase for any One World Technologies, Inc. product that is used for rental or commercial purposes, or any other income-producing purpose.

This warranty does not cover any One World Technologies, Inc. product that has been subject to misuse, neglect, negligence, or accident, or that has been operated in any way contrary to the operating instructions as specified in this operator's manual. This warranty does not apply to any damage to the One World Technologies, Inc. product that is the result of improper maintenance or to any One World Technologies, Inc. product that has been altered or modified. The warranty does not extend to repairs made necessary by normal wear or by the use of parts

or accessories which are either **INCOMPATIBLE WITH THE ONE WORLD TECHNOLOGIES, INC.** product or adversely affect its operation, performance, or durability.

One World Technologies, Inc. reserves the right to change or improve the design of any One World Technologies, Inc. product without assuming any obligation to modify any product previously manufactured.

ALL IMPLIED WARRANTIES ARE LIMITED IN DURATION TO THE STATED WARRANTY PERIOD. ACCORDINGLY, ANY SUCH IMPLIED WARRANTIES INCLUDING MERCHANTABILITY, FITNESS FOR A PARTICULAR PURPOSE, OR OTHERWISE, ARE DISCLAIMED IN THEIR ENTIRETY AFTER THE EXPIRATION OF THE APPROPRIATE TWO-YEAR, ONE-YEAR, OR NINETY DAY WARRANTY PERIOD. ONE WORLD TECHNOLOGIES, INC.'S OBLIGATION UNDER THIS WARRANTY IS STRICTLY AND EXCLUSIVELY LIMITED TO THE REPAIR OR REPLACEMENT OF DEFECTIVE PARTS AND ONE WORLD TECHNOLOGIES, INC. DOES NOT ASSUME OR AUTHORIZE ANYONE TO ASSUME FOR THEM ANY OTHER OBLIGATION. SOME STATES DO NOT ALLOW LIMITATIONS ON HOW LONG AN IMPLIED WARRANTY LASTS, SO THE ABOVE LIMITATION MAY NOT APPLY TO YOU. ONE WORLD TECHNOLOGIES, INC. ASSUMES NO RESPONSIBILITY FOR INCIDENTAL, CONSEQUENTIAL, OR OTHER DAMAGES INCLUDING, BUT NOT LIMITED TO, EXPENSE OF RETURNING THE ONE WORLD TECHNOLOGIES, INC. PRODUCT TO AN AUTHORIZED SERVICE DEALER AND EXPENSE OF DELIVERING IT BACK TO THE OWNER, MECHANIC'S TRAVEL TIME, TELEPHONE OR TELEGRAM CHARGES, RENTAL OF A LIKE PRODUCT DURING THE TIME WARRANTY SERVICE IS BEING PERFORMED, TRAVEL, LOSS OR DAMAGE TO PERSONAL PROPERTY, LOSS OF REVENUE, LOSS OF USE OF THE PRODUCT, LOSS OF TIME, OR INCONVENIENCE. SOME STATES DO NOT ALLOW THE EXCLUSION OR LIMITATION OF INCIDENTAL OR CONSEQUENTIAL DAMAGES, SO THE ABOVE LIMITATION OR EXCLUSION MAY NOT APPLY TO YOU.

This warranty gives you specific legal rights, and you may also have other rights which vary from state to state.

This warranty applies to all One World Technologies, Inc. products manufactured or supplied by One World Technologies, Inc. and sold in the United States and Canada.

To locate your nearest service dealer, dial 1-866-340-3912.

**NOTE: FIGURES (ILLUSTRATIONS) START ON PAGE 15
AFTER SPANISH LANGUAGE SECTION.**

REGLAS DE SEGURIDAD GENERALES



PELIGRO:

LEA Y COMPRENDA LAS ETIQUETAS DE LAS HERRAMIENTAS Y EL MANUAL. La inobservancia de los avisos de advertencia podría causar la MUERTE o LESIONES SERIAS.

GUARDE ESTAS INSTRUCCIONES

ÁREA DE TRABAJO

- **Mantenga limpia y bien iluminada el área de trabajo.** Una mesa de trabajo mal despejada y una mala iluminación son causas comunes de accidentes.
- **No utilice herramientas motorizadas en atmósferas explosivas, como las existentes alrededor de líquidos, gases y polvos inflamables.** Las herramientas eléctricas generan chispas que pueden encender el polvo y los vapores inflamables.
- **Mantenga alejados a los circunstantes, niños y demás presentes al utilizar una herramienta eléctrica.** Toda distracción puede causar la pérdida del control de la herramienta.

SEGURIDAD PERSONAL

- **Al cargar, utilizar y dar servicio a esta herramienta, el operador y demás personas SIEMPRE deben llevar puesta protección ocular que cumpla con las especificaciones ANSI y ofrezca protección contra partículas que salgan disparadas del FRENTE y de los LADOS.** Se requiere protección ocular como protección contra sujetadores y desechos que salgan disparados, los cuales pueden causar lesiones oculares serias.
- **Tanto el patrón como el operador deben asegurarse de que se use protección ocular adecuada.** Recomendamos la careta protectora de visión amplia encima de los anteojos normales o de los anteojos de seguridad que ofrecen protección frontal y lateral contra partículas que salen disparadas. Siempre póngase protección ocular con la marca de cumplimiento de la norma ANSI Z87.1.
- **En algunos entornos se requiere protección adicional.** Por ejemplo, en el área de trabajo puede haber exposición a un nivel de ruido que puede dañar el oído. El patrón y el operador deben asegurarse de contar con toda la protección auditiva necesaria y de que sea usada por el operador mismo y demás personas presentes en el área de trabajo. En algunos entornos se requiere el uso de equipo de protección para la cabeza. Cuando se requiera, el patrón y el operador deben asegurarse de que la protección usada para la cabeza cumpla con la norma ANSI Z89.1-1997.
- **Permanezca alerta, preste atención a lo que esté haciendo y aplique el sentido común al utilizar herramientas eléctricas. No utilice la herramienta si está cansado o se encuentra bajo los efectos de alguna droga, alcohol o medicamento.** Un momento de inatención al utilizar una herramienta eléctrica puede causar lesiones corporales serias.
- **Vístase adecuadamente. No vista ropas holgadas ni joyas. Recójase el cabello si está largo. Mantenga el cabello, la ropa y los guantes alejados de las piezas móviles.** Las ropas holgadas, las joyas y el cabello largo pueden engancharse en las piezas móviles.
- **Para evitar disparar accidentalmente la herramienta, mantenga los dedos lejos del gatillo cuando no esté clavando.**

- **No estire el cuerpo para alcanzar mayor distancia. Mantenga una postura firme y buen equilibrio en todo momento.** La postura firme y el buen equilibrio permiten un mejor control de la herramienta en situaciones inesperadas.
- **Use equipo de seguridad. Siempre póngase protección ocular.** Cuando lo exijan las circunstancias debe ponerse careta contra el polvo, zapatos de seguridad antiderrapantes, casco o protección auditiva.
- **No utilice la unidad al estar en una escalera o en un soporte inestable.** Una postura estable sobre una superficie sólida permite un mejor control de la herramienta en situaciones inesperadas.

EMPLEO Y CUIDADO DE LA HERRAMIENTA

- **No fuerce la herramienta. Utilice la herramienta adecuada al trabajo.** La herramienta adecuada efectúa mejor y de manera más segura el trabajo, si además se maneja a la velocidad para la que está diseñada.
- **No utilice la herramienta si no funciona correctamente el gatillo.** Una herramienta que no pueda controlarse con el gatillo es peligrosa y debe repararse.
- **Verifique con frecuencia el funcionamiento del mecanismo del disparador de contacto.** No use la herramienta si no está funcionando correctamente el mecanismo del disparador de contacto, ya que puede causarse por accidente el disparo de un sujetador. No interfiera en el funcionamiento normal del mecanismo del disparador de contacto.
- **Guarde las herramientas que no estén en uso fuera del alcance de los niños y de toda persona no capacitada en el uso de las mismas.** Las herramientas son peligrosas en manos de personas no capacitadas en el uso de las mismas.
- **Dé mantenimiento con cuidado a las herramientas.** Siga todas las instrucciones de mantenimiento. Las herramientas que han recibido el debido mantenimiento se controlan con mayor facilidad.
- **Revise para ver si hay desalineación o atoramiento de piezas móviles, ruptura de piezas o toda otra condición que pueda afectar el funcionamiento de la herramienta. Si se daña la herramienta, llévela a servicio antes de volver a utilizarla.** Numerosos accidentes son causados por herramientas mal cuidadas.
- **Sólo utilice los sujetadores (clavos o grapas, según sea el caso) recomendados para cada modelo en particular.**
- **Mantenga la herramienta y el mango secos, limpios y sin aceite ni grasa.** Siempre utilice un paño limpio para la limpieza de la unidad. Nunca utilice fluidos para frenos, gasolina, productos a base de petróleo ni solventes fuertes para limpiar la herramienta. Con el cumplimiento de esta regla se reduce el riesgo de una pérdida de control y el deterioro del alojamiento de plástico de la unidad.

SERVICIO

- **El servicio de la herramienta sólo debe ser efectuado por personal de reparación calificado.** Todo servicio o mantenimiento efectuado por personal no calificado puede significar un riesgo de lesiones.
- **Al dar servicio a una herramienta, sólo utilice piezas de repuesto idénticas. Siga las instrucciones señaladas en la sección Mantenimiento de este manual.** El empleo de piezas no autorizadas o el incumplimiento de las instrucciones de mantenimiento puede significar un riesgo de lesiones.

REGLAS DE SEGURIDAD ESPECÍFICAS

- **Familiarícese con su herramienta neumáticas.** Lea cuidadosamente el manual del operador. Aprenda sus usos y limitaciones, así como los posibles peligros específicos de esta herramienta. Con el cumplimiento de esta regla se reduce el riesgo de una descarga eléctrica, incendio o lesión seria.
- **Siempre use gafas de seguridad con protección lateral.** Los anteojos comunes sólo tienen lentes resistentes a los impactos. NO son anteojos de seguridad. Con el cumplimiento de esta regla se reduce el riesgo de posibles lesiones oculares.
- **Protéjase los pulmones.** Use una careta o mascarilla contra el polvo si la operación genera mucho polvo. Con el cumplimiento de esta regla se reduce el riesgo de lesiones corporales serias.
- **Protéjase los oídos.** Durante períodos prolongados de utilización de la unidad póngase protección para los oídos. Con el cumplimiento de esta regla se reduce el riesgo de lesiones corporales serias.
- **Asegúrese de que la manguera no esté obstruida ni enganchada.** Si la manguera se enreda o engancha puede causar una pérdida del equilibrio o postura y puede dañarse.
- **Solamente utilice esta herramienta para el propósito especificado.** No dispare clavos al aire.
- **Use la herramienta neumática solamente para el propósito para el que fue diseñada.**
- **Solamente utilice los sujetadores recomendados para esta herramienta.** El uso de los sujetadores incorrectos podría hacer que los sujetadores no avancen bien, que se atoren y que los clavos no salgan de la herramienta siempre al mismo ángulo. Si los sujetadores no avanzan de manera uniforme y correcta, interrumpa su uso de inmediato. Los sujetadores atorados que avanzan de manera incorrecta pueden provocar lesiones serias.
- **Nunca utilice esta herramienta de ninguna forma que pueda dirigir un sujetador (clavo o grapa, según sea el caso) hacia ninguna otra cosa que no sea la pieza de trabajo.**
- **No use la herramienta como martillo.**
- **Siempre porte la herramienta por el mango.** Nuna porte la herramienta por la manguera de aire.
- **No altere ni modifique esta herramienta con respecto al diseño o funcionamiento original sin la aprobación del fabricante.**
- **Siempre tenga presente que el uso y manejo indebidos de esta herramienta puede causarle lesiones a usted y a otras personas.**
- **Nunca sujete con prensa o cinta adhesiva el gatillo ni el disparador de contacto en la posición de accionamiento.**
- **Nuna deje desatendida ninguna herramienta con la manguera de aire conectada.**
- **No utilice esta herramienta si no tiene una etiqueta de advertencia.**
- **No continúe usando ninguna herramienta que tenga fugas de aire o que no funcione correctamente.**

FUNCIONAMIENTO

- **Siempre suponga que la herramienta contiene sujetadores.**
- **No traslade la herramienta de un lugar a otro con el dedo en el gatillo.** Podría producirse un disparo accidental.
- **Siempre maneje con cuidado la herramienta:**
 - Respete la herramienta como un elemento de trabajo.
 - Nunca participe en jugueteos.
 - Nunca tire del gatillo a menos que la punta de la herramienta esté dirigida hacia la superficie de trabajo.
 - Mantenga a las demás personas a una distancia segura de la herramienta mientras esté utilizándose ésta ya que puede ocurrir un accionamiento accidental de la misma, y posibles lesiones.
- **Es importante el método de disparo elegido. Estudie el manual, en el cual se describen las diferentes formas de disparar.**
- **Las herramientas neumáticas están diseñadas para usarlas con una sola mano.** No sujete la herramienta por el frente del cargador. No ponga las manos, la cabeza ni ninguna otra parte del cuerpo cerca de la parte inferior del cargador, por donde salen los clavos de la herramienta, ya que se pueden producir lesiones serias.
- **No apunte la herramienta hacia usted mismo ni a ninguna otra persona, ya sea que contenga sujetadores (clavos o grapas, según sea el caso) o no.**
- **No accione la herramienta a menos que esté firmemente colocada contra la pieza de trabajo.**
- **Cuando clava clavos en ángulo, asegúrese de que la herramienta esté apuntando en dirección opuesta a donde se encuentran usted y otras personas.**
- **Siempre asegúrese de que el elemento de contacto con la pieza de trabajo esté totalmente encima de ella.** Colocar el elemento de contacto con la pieza de trabajo solamente de manera parcial encima de ella podría causar que el sujetador no se introduzca en la pieza de trabajo por completo y provoque lesiones serias.
- **No introduzca clavos cerca del borde del material.** La pieza de trabajo puede partirse y causar que el clavo rebote y lesione a un compañero de trabajo. Tenga presente que el clavo puede seguir la fibra de la madera y salir inesperadamente por un lado de la pieza de trabajo.
- **Mantenga las manos y todas las partes del cuerpo lejos del área de trabajo inmediata.** Sujete firmemente la pieza de trabajo con prensas de mano cuando sea necesario para proteger las manos y el cuerpo de todo posible peligro. Asegúrese de que la pieza de trabajo esté debidamente asegurada antes de presionar la clavadora contra el material. El disparador de contacto puede causar un movimiento inesperado de la pieza de trabajo.

REGLAS DE SEGURIDAD ESPECÍFICAS

- **Mantenga la cara y las demás partes del cuerpo lejos de la tapa de la herramienta al trabajar en espacios limitados.** En una retracción súbita la herramienta puede golpear el cuerpo, especialmente al clavar en material duro o denso.
- **Durante el uso normal de la herramienta, ésta se retrae de inmediato después de introducir un sujetador. Así es el funcionamiento normal de la herramienta.** No intente impedir la retracción presionando la clavadora contra la pieza de trabajo. Toda restricción impuesta a la retracción puede producir la impulsión de un segundo sujetador en la clavadora. Sujete firmemente el mango, permita a la herramienta que haga el trabajo y no coloque la otra mano encima de la herramienta ni cerca del escape de aire en ningún momento. La inobservancia de esta advertencia puede causar lesiones corporales serias.
- **No introduzca sujetadores encima de otros, ni con la herramienta a un ángulo excesivamente pronunciado, ya que esto puede causar la desviación de los sujetadores y con ello posibles lesiones.**
- **No introduzca sujetadores cerca del borde de la pieza de trabajo, ya que puede partirse la madera con lo cual podría desviarse el sujetador y causar lesiones.**

SUMINISTRO DE AIRE Y CONEXIONES

- **No utilice oxígeno, gases combustibles ni gases embotellados como fuente de energía para esta herramienta, ya que puede explotar y causar lesiones o la muerte.**
- **No use compresores de aire que puedan excederse de 200 psi, de presión ya que la herramienta puede estallar y causar lesiones.**

- **El conector de la herramienta debe no conservar presión una vez desconectado el suministro de aire.** Si se utiliza una conexión inadecuada, la herramienta puede permanecer cargada de aire después de desconectarla del suministro de aire y por lo tanto con capacidad de impulsar un sujetador y de causar lesiones.
- **Siempre desconecte el suministro de aire:**
 - Antes de efectuar ajustes
 - Al dar servicio a la herramienta
 - Al despejar un atoramiento
 - cuando no está usándose la unidad
 - Al trasladarse a un área de trabajo diferente, ya que puede accionarse accidentalmente la herramienta y causar lesiones.

CÓMO CARGAR LA HERRAMIENTA

- **No cargue los sujetadores en la herramienta cuando esté activado cualquiera de los controles de operación de la misma.**

Al cargar la herramienta:




- **Nunca coloque las manos ni ninguna parte del cuerpo en el área de la herramienta donde sale disparado el sujetador (clavo o grapa, según sea el caso).**
- **Nunca apunte la herramienta a nadie.**
- **No tire del gatillo ni oprima el disparador de contacto, ya que puede accionarse accidentalmente la herramienta y causar lesiones.**

GUARDE ESTAS INSTRUCCIONES







- **Consúltelas con frecuencia y empléelas para instruir a otras personas que puedan utilizar esta herramienta. Si presta a alguien esta herramienta, facilítele también las instrucciones.**

SÍMBOLOS

Las siguientes palabras de señalización y sus significados tienen el objeto de explicar los niveles de riesgo relacionados con este producto.

SÍMBOLO	SEÑAL	SIGNIFICADO
	PELIGRO:	Indica una situación peligrosa inminente, la cual, si no se evita, causará la muerte o lesiones serias.
	ADVERTENCIA:	Indica una situación peligrosa posible, la cual, si no se evita, podría causar la muerte o lesiones serias.
	PRECAUCIÓN:	Indica una situación peligrosa posible, la cual, si no se evita, podría causar lesiones menores o leves.
	PRECAUCIÓN:	(Sin el símbolo de alerta de seguridad) Indica una situación que puede producir daños materiales.

Es posible que se empleen en esta herramienta algunos de los siguientes símbolos. Le suplicamos estudiarlos y aprender su significado. Una correcta interpretación de estos símbolos le permitirá utilizar mejor y de manera más segura la herramienta.

SYMBOL	NAME	DESIGNATION/EXPLANATION
	Alerta de seguridad	Indica un peligro posible de lesiones personales.
	Lea el manual del operador	Para reducir el riesgo de lesiones, el usuario debe leer y comprender el manual del operador antes de usar este producto.
	Protección ocular	Siempre póngase protección ocular con protección lateral con la marca de cumplimiento de la norma ANSI Z87.1.
	Protección para los ojos, los oídos y la cabeza	Siempre póngase protección ocular con protección lateral con la marca de cumplimiento de la norma ANSI Z87.1 junto con protección para los oídos y la cabeza que la necesite.
	Mantenga lejos las manos	Mantenga las manos y el resto del cuerpo lejos del área de la herramienta por donde sale disparado el sujetador.
	Superficie caliente	Para reducir el riesgo de lesiones corporales o daños materiales evite tocar toda superficie caliente.

GLOSARIO DE TÉRMINOS

Activar (los controles de accionamiento)

Es mover un control de accionamiento de manera que quede en una posición en la cual se accione la herramienta o cumpla con un requisito necesario para accionar la misma.

Accionar (la herramienta)

Es producir el movimiento de los componentes de la herramienta específicos para introducir un sujetador (clavo o grapa, según sea el caso).

Conexión de entrada de aire

Refiriéndose a herramientas neumáticas, es la abertura a la cual se conecta el suministro de aire comprimido, normalmente por medio de un conector roscado.

Sujetador

Es una grapa, clavo, puntilla o cualquier otra pieza de unión diseñada y fabricada para utilizarse en las herramientas de este tipo.

Atoramiento

Es una obstrucción en las zonas de alimentación o introducción de sujetadores de la herramienta.

Presión de aire máxima

Es la presión máxima permitida del aire comprimido, según las especificaciones del fabricante para la utilización de una herramienta.

Control de accionamiento

Es un control que, por separado o como parte de un sistema de accionamiento de una herramienta, sirve para accionarla.

Accionamiento secuencial sencillo

Es un sistema de accionamiento en el cual hay más de un control de accionamiento y éstos deben ser activados en una secuencia específica para accionar la herramienta. Puede ocurrir un accionamiento adicional cuando un control de accionamiento específico, que no sea el disparador de contacto, se suelta y se vuelve a activar.

Gatillo

Es un control de accionamiento de una herramienta el cual maneja con los dedos el operador.

Pieza de trabajo

Es el objeto específico en el cual se introduce un sujetador (clavo o grapa, según sea el caso) con una herramienta.

Disparador de contacto

Es un elemento de control de accionamiento o un conjunto de tales elementos, el cual es activado al tocar el material en el que va a introducirse el sujetador.

CARACTERÍSTICAS

ESPECIFICACIONES DEL PRODUCTO

Presión de funcionamiento..... de 70-120 psi
Tipo de sujetadorClavos de acabado de calibre 16
Gama de sujetadores:
.....31,75 mm (1-1/4 pulg.) -63,5 mm (2-1/2 pulg.)
Capacidad del cargador..... 100 clavos

Consumo de aire..... 0.0941 pies³/ciclo a 100 psi
Entrada de aire 1/4 pulg. NPT
Nivel de potencia ponderado
del impulso de sonido101,5 dBA
Peso1,90 kg (4,27 lb)

FAMILIARÍCESE CON LA CLAVADORA DE ACABADO RECTA

Vea la figura 1. página 15.

Para usar este producto con la debida seguridad se debe comprender la información indicada en la herramienta misma y en este manual, y se debe comprender también el trabajo que intenta realizar. Antes de usar este producto, familiarícese con todas las características de funcionamiento y normas de seguridad del mismo.

ESCAPE AJUSTABLE

El escape puede ajustarse 360°, según las preferencias del operador.

AJUSTE DE LA PROFUNDIDAD DE INTRODUCCIÓN

El ajuste de la profundidad de introducción no requiere herramientas y permite al operador ajustar con precisión la profundidad de introducción del sujetador.

TAPA GUARDAPOLVO

La tapa guardapolvo ayuda a evitar que el polvo y la suciedad entren en la conexión de aire. Cubra la conexión de aire con la tapa guardapolvo antes de guardar la herramienta.

PUNTA PROTECTORA

La punta protectora evita dañar y marcar las maderas suaves con la herramienta.

CARGADOR DE CARGA SUPERIOR

El cargador de carga posterior puede cargarse rápidamente de sujetadores.

GATILLO

El gatillo se ajusta automáticamente al modo de accionamiento secuencial sencillo para la colocación precisa de los sujetadores.

ARMADO

DESEMPAQUETADO

Embarcamos este producto completamente armado.

- Extraiga cuidadosamente de la caja la herramienta y los accesorios. Asegúrese de que estén presentes todos los artículos enumerados en la lista de empaquetado.

ADVERTENCIA:

No use este producto si no está totalmente ensamblado o si alguna pieza falta o está dañada. Si utiliza un producto que no se encuentra ensamblado de forma correcta y completa, puede sufrir lesiones graves.

- Inspeccione cuidadosamente la herramienta para asegurarse de que no haya sufrido ninguna rotura o daño durante el transporte.
- No deseche el material de empaquetado sin haber inspeccionado cuidadosamente la herramienta y haberla utilizado satisfactoriamente.
- Si hay piezas dañadas o faltantes, le suplicamos llamar al 1-866-340-3912, donde le brindaremos asistencia.

LISTA DE EMPAQUETADO

Clavadora de acabado recta

Aceite (Si forma parte del juego de la multiherramienta, se utiliza 1 botella de aceite por juego)

Sujetadores de muestra

Llaves hexagonales (3 mm y 4 mm)

Manual del operador

ADVERTENCIA:

Si hay piezas dañadas o faltantes, no utilice esta herramienta sin haber reemplazado las piezas dañadas o faltantes. La inobservancia de esta advertencia puede causar lesiones graves.

ADVERTENCIA:

No intente modificar esta herramienta ni hacer accesorios no recomendados para la misma. Cualquier alteración o modificación constituye maltrato el cual puede causar una condición peligrosa, y como consecuencia posibles lesiones corporales serias.

FUNCIONAMIENTO

PELIGRO:

No utilice oxígeno, gases combustibles ni gases embotellados como fuente de energía para esta herramienta. La herramienta explotará y causará la muerte o lesiones serias.

ADVERTENCIA:

No permita que su familiarización con las herramientas lo vuelva descuidado. Tenga presente que un descuido de un instante es suficiente para causar una lesión seria.

ADVERTENCIA:

Siempre póngase protección ocular con protección lateral con la marca de cumplimiento de la norma ANSI Z87.1. Si no cumple esta advertencia, los objetos que salen despedidos pueden producirle lesiones serias en los ojos.

ADVERTENCIA:

Desconecte la herramienta del suministro de aire antes de abandonar el área de trabajo, de trasladar la herramienta a otro lugar y de alargar la herramienta a otra persona. La inobservancia de esta advertencia puede causar lesiones serias.

USOS

Esta herramienta puede emplearse para los fines enumerados abajo:

- Acabado y ornamentación (interior y exterior)
- Ornamentación decorativa
- Libreros
- Rodapiés
- Armarios
- Parte trasera de libreros y armarios
- Cajones
- Molduras
- Marcos de espejos y pinturas
- Paneles
- Molduras de umbrales y bases
- Escaleras
- Paneles ornamentales para tapicería
- Enfrizado
- Rebordeado de ventanas
- Guardasillas
- Armazones de muebles
- Molduras de celosías
- Piezas de plástico clavables
- Manualidades

FUNCIONAMIENTO

ADVERTENCIA:

Siempre póngase protección ocular. La protección ocular no les queda a todos los operadores de la misma forma. Asegúrese de que la protección ocular escogida disponga de protectores laterales u ofrezca protección contra desechos disparados provenientes tanto del frente como de los lados.

PREPARACIÓN DE LA HERRAMIENTA PARA UTILIZARLA

Vea la figura 2, página 15.

En condiciones normales, la herramienta debe lubricarse antes de conectarla a un suministro de aire. Vierta lubricante para herramientas neumáticas en la conexión del aire de la herramienta una vez al día, o dos veces si se usa intensivamente. Solamente son necesarias unas pocas gotas de aceite cada vez. Si se pone demasiado aceite se acumula dentro de la herramienta y estará presente en la fase de escape.

Antes de conectar la herramienta, revise el indicador del compresor de aire para asegurarse de que esté funcionando dentro del intervalo normal de 70 a 120 psi (lb./pulg. cuad.).

TAPA GUARDAPOLVO

Vea la figura 2, página 15.

La tapa guardapolvo ayuda a evitar que el polvo y la suciedad entren en la conexión de aire. Cubra la conexión de aire con la tapa guardapolvo antes de guardar la herramienta.

PUNTA PROTECTORA

Vea la figura 3, página 15.

La punta protectora montada en la punta de la herramienta evita dañar y marcar las maderas suaves con la herramienta.

Al adquirir un pieza la punta protectora, solicite el número de pieza 079065001203.

ADVERTENCIA:

Desconecte la herramienta del suministro de aire antes de desmontar o volver a montar la punta protectora. La inobservancia de esta advertencia puede causar lesiones serias.

La almohadilla protectora puede retirarse al tirar de ella hacia abajo y separarla de la punta de la herramienta. Para reemplazar la almohadilla protectora, colóquela en su lugar sobre la punta de la herramienta y empújela hacia arriba por la parte de atrás para volver a asentarla.

AJUSTE DEL ESCAPE

Vea la figura 4, página 15.

El escape ajustable, situado en la tapa superior de la herramienta, permite al operador dirigirlo en la dirección deseada. Para ajustar el escape, gire la tapa del mismo hasta que sopele en la dirección deseada.

ADVERTENCIA:

Desconecte la herramienta del suministro de aire antes de abandonar el área de trabajo, de trasladar la herramienta a otro lugar y de alargar la herramienta a otra persona. La inobservancia de esta advertencia puede causar lesiones serias.

CÓMO CONECTAR LA HERRAMIENTA A UN SUMINISTRO DE AIRE

Vea la figura 5, página 16.

PELIGRO:

No utilice oxígeno, gases combustibles ni gases embotellados como fuente de energía para esta herramienta. La herramienta explotará y causará la muerte o lesiones serias.

Esta herramienta está diseñada para funcionar con aire comprimido, seco y limpio, a presiones reguladas entre 70 y 120 psi. La presión correcta de aire es la presión menor que sirva para efectuar el trabajo.

NOTA: Una presión de aire mayor de 120 psi puede dañar la herramienta.

La manguera de aire debe tener un acoplamiento que permita eliminar toda la presión de la herramienta al desconectarlo de la misma.

ADVERTENCIA:

Siempre utilice un acoplamiento que descargue todo el aire comprimido contenido en la herramienta al momento de desconectar de la misma el adaptador o acoplamiento de la manguera. Si utiliza un acoplamiento que no descargue el aire comprimido podría hacer funcionar accidentalmente la herramienta y producirse lesiones serias.

ADVERTENCIA:

No se suba a ningún equipo o andamio mientras acarree una herramienta conectada a una manguera de aire. La inobservancia de esta advertencia puede causar lesiones serias.

FUNCIONAMIENTO

Conecte la herramienta al suministro de aire con un conector hembra rápido de 5,35 mm (1/4 pulg.).

OPERACIÓN DE CARGA DE LOS CLAVOS EN LA HERRAMIENTA

Vea las figuras 6 y 7, página 16.

- Conecte la herramienta al suministro de aire.

ADVERTENCIA:

El mecanismo de impulsión de la herramienta puede funcionar un ciclo al conectarse ésta al suministro de aire. Siempre conecte la herramienta al suministro de aire antes de cargarla de sujetadores (clavos o grapas, según sea el caso) para evitar lesiones causadas por el ciclo de funcionamiento indeseado. Siempre asegúrese de que el cargador de la herramienta esté vacío al inicio de cada serie de operaciones, antes de conectar la herramienta al suministro de aire.

ADVERTENCIA:

Mantenga la herramienta apuntando en la dirección opuesta a donde se encuentra usted y otras personas mientras carga los clavos. La inobservancia de esta advertencia puede causar lesiones serias.

ADVERTENCIA:

Solamente utilice los clavos recomendados para esta herramienta. Si se utilizan otros clavos puede producirse un malfuncionamiento de la herramienta y posibles lesiones serias.

ADVERTENCIA:

Nunca cargue los clavos teniendo activado el disparador de contacto o el gatillo. La inobservancia de esta advertencia puede causar lesiones serias.

- Presione el pestillo ubicado en la parte posterior del cargador y trábelo en las ranuras.
- Con la punta de la herramienta apuntando en dirección opuesta a usted, inserte una tira de clavos en la placa de presión del cargador. Asegúrese de que los clavos apunten hacia abajo.

COLOCACIÓN CORRECTA DE LOS CLAVOS

- Los clavos siempre se deben colocar en el riel de clavos o lo más próximos posible a éste con las puntas hacia abajo.
- La tira de clavos debe estar apoyada sobre el canal en frente de la placa de presión.

- Para cerrar el cargador, suelte el pestillo de la posición bloqueado y permita que la placa de presión se deslice hacia adelante; esto permitirá que los clavos se coloquen en posición.

INTRODUCIR UN SUJETADOR

Vea la figura 10, página 16.

ADVERTENCIA:

Nunca detenga con una cuña ni de ninguna otra forma el mecanismo del disparador de contacto al utilizar la herramienta. La inobservancia de esta advertencia puede causar lesiones serias.

ACCIONAMIENTO SECUENCIAL SENCILLO

El accionamiento secuencial sencillo permite lograr la colocación más exacta del sujetador.

- Desconecte la herramienta del suministro de aire.
- Sujete firmemente la herramienta para mantener el control. Coloque la punta de la herramienta en la superficie de trabajo.
- Oprima la herramienta contra la superficie de trabajo para oprimir el disparador de contacto.
- Para introducir un sujetador, oprima el gatillo.
- Permita que la herramienta se retraiga de la superficie de trabajo al impulsar el sujetador.

ADVERTENCIA:

Durante el uso normal de la herramienta, ésta se retrae de inmediato después de introducir un sujetador. Así es el funcionamiento normal de la herramienta. No intente impedir la retracción presionando la clavadora contra la pieza de trabajo. Toda restricción impuesta a la retracción puede producir la impulsión de un segundo sujetador en la clavadora. Sujete firmemente el mango, permita a la herramienta que haga el trabajo y no coloque la otra mano encima de la herramienta ni cerca del escape de aire en ningún momento. La inobservancia de esta advertencia puede causar lesiones corporales serias.

FUNCIONAMIENTO

AJUSTE DE LA PRESIÓN DE AIRE

La cantidad presión de aire requerida depende del tamaño de los clavos y del material de la pieza de trabajo.

Comience por probar la profundidad de introducción introduciendo un clavo de prueba en el mismo tipo de material de la pieza de trabajo que va a usarse en el trabajo en la realidad.

Introduzca un clavo de prueba con la presión de aire puesta de 90 a 95 psi (lb./pulg. cuad.). Suba o baje la presión de aire hasta encontrar el nivel más bajo con el que pueda efectuarse el trabajo con resultados uniformes.

Puede ser posible lograr la profundidad deseada solamente con ajustes en la presión de aire. Si se necesitan ajustes más finos, use el ajuste de profundidad de introducción de la herramienta.

AJUSTE DE LA PROFUNDIDAD DE INTRODUCCIÓN

Vea la figura 9, página 16.

Puede ajustarse la profundidad de introducción del clavo. Se recomienda probar la profundidad de introducción en un pedazo de desecho para determinar la profundidad requerida en cada caso en particular.

Para determinar la profundidad, primero ajuste la presión de aire y luego introduzca un clavo de prueba. Para lograr la profundidad deseada, use el ajuste de profundidad de introducción de la herramienta.

- Desconecte la herramienta del suministro de aire.
- Para cambiar la profundidad de introducción, gire a la izquierda o derecha el selector de profundidad.
- Vuelva a conectar la herramienta al suministro de aire.
- Después de cada ajuste introduzca un clavo de prueba hasta lograr la profundidad deseada.



ADVERTENCIA:

Desconecte la herramienta del suministro de aire antes de retirar los clavos. La inobservancia de esta advertencia puede causar lesiones serias.

CÓMO RETIRAR LOS CLAVOS DE LA HERRAMIENTA

Vea la figura 10, página 16.

- Desconecte la herramienta del suministro de aire.
- Para retirar una tira de clavos de la herramienta, oprima el pestillo situado en la parte posterior del cargador y abra éste con un movimiento de deslizamiento.
- Retire la tira de clavos.
- Para cerrar el cargador, oprima el pestillo y empuje el cargador hacia adelante. Suelte el pestillo para mantener el cargador en su lugar.



ADVERTENCIA:

Desconecte la herramienta del suministro de aire antes de desatorar un sujetador (clavo o grapa, según sea el caso) atorado. La inobservancia de esta advertencia puede causar lesiones serias.

CÓMO RETIRAR UN SUJETADOR ATORADO

Vea la figura 11, página 16.

Si se atora un sujetador en la herramienta, desconecte la manguera de aire y mantenga la herramienta apuntando en la dirección opuesta a donde se encuentra usted mientras desatora el sujetador.

- Retire de la herramienta todos los sujetadores.
- Abra la puerta de liberación de atasco.
- Coloque un destomillador de punta plana debajo del clavo atorado. Extraiga el clavo, utilizando pinzas si es necesario.
- Retire el sujetador doblado.
- Use el destomillador de punta plana para empujar la hoja de impulsión a la posición más alta.
- Vuelva a conectar la herramienta al suministro de aire.
- Vuelva a introducir los sujetadores.

MANTENIMIENTO

ADVERTENCIA:

Para el servicio de la unidad sólo utilice piezas de repuesto idénticas. El empleo de piezas diferentes puede causar un peligro o dañar el producto.

ADVERTENCIA:

Siempre póngase protección ocular con protección lateral con la marca de cumplimiento de la norma ANSI Z87.1. Si no cumple esta advertencia, los objetos que salen despedidos pueden producirle lesiones serias en los ojos.

ADVERTENCIA:

Desconecte la herramienta del suministro de aire antes de efectuar tareas de mantenimiento. La inobservancia de esta advertencia puede causar lesiones serias.

MANTENIMIENTO GENERAL

Evite el empleo de solventes al limpiar piezas de plástico. La mayoría de los plásticos son susceptibles a diferentes tipos de solventes comerciales y pueden resultar dañados. Utilice paños limpios para eliminar la suciedad, el polvo, el aceite, la grasa, etc.

ADVERTENCIA:

No permita en ningún momento que fluidos para frenos, gasolina, productos a base de petróleo, aceites penetrantes, etc., lleguen a tocar las piezas de plástico. Las sustancias químicas pueden dañar, debilitar o destruir el plástico, lo cual a su vez puede producir lesiones corporales serias.

LUBRICACIÓN

Para obtener un desempeño óptimo de la herramienta se requiere una lubricación frecuente, pero no excesiva. El aceite para herramientas neumáticas de clavar vertido por la conexión del conducto de aire lubrica las partes internas. No utilice aceite con detergente ni aditivos, ya que estos lubricantes propician un desgaste rápido de los sellos y parachoques de la herramienta, lo cual causa un desempeño inadecuado de la herramienta y la necesidad de mantenimiento frecuente.

UTILIZACIÓN DE LA HERRAMIENTA EN TIEMPO FRÍO

Para utilizar la herramienta en tiempo frío, cerca de la temperatura de congelación y abajo de la misma, puede congelarse la humedad presente en el conducto de aire y puede impedir el funcionamiento de la herramienta. Recomendamos utilizar lubricante para herramientas neumáticas o anticongelante permanente (etilenglicol) como lubricante para clima frío.

PRECAUCIÓN:

Con el fin de evitar la formación de escarcha o hielo en las válvulas y mecanismos de operación de las herramientas que pudiera causar una falla de las mismas, no las guarde en lugares fríos.

NOTA: Algunos líquidos comerciales para secar conductos de aire dañan los sellos y las juntas tóricas. No use estos secadores de aire para baja temperatura sin verificar la compatibilidad de los mismos.

PRESIÓN Y VOLUMEN DEL SUMINISTRO DE AIRE

El volumen de aire es tan importante como la presión del mismo. El volumen de aire suministrado a la herramienta puede ser insuficiente a causa de conexiones y mangueras de tamaño insuficiente, o por los efectos de la suciedad y el agua presentes en el sistema. Toda limitación en el flujo de aire impide a la herramienta recibir un volumen adecuado de aire, incluso si está elevada la lectura de la presión. El resultado de tales circunstancias puede ser funcionamiento lento o fuerza de introducción reducida. Antes de evaluar los problemas de la herramienta a causa de estos síntomas, revise el suministro de aire desde la herramienta hasta la fuente de suministro para ver si hay conectores limitantes o puntos bajos con contenido de agua y cualquier otra cosa que pueda impedir el flujo pleno de aire a la herramienta.

LISTA DE CONTROL DIARIA OBLIGATORIA

- Desconecte el suministro de aire de la herramienta y retire todos los sujetadores.
- Verifique todos los tornillos, tuercas, pernos y vástagos de la herramienta. Si hay alguno suelto, debe ser ajustado con una llave del tamaño adecuado.
- Presione el elemento de contacto con la pieza de trabajo contra ella para asegurarse de que se mueva suavemente.
- Con el elemento de contacto con la pieza de trabajo presionado, oprima el gatillo. El gatillo debe moverse suavemente, sin atascarse.
- Mientras la herramienta no esté cargada, conecte el suministro de aire adecuado (70 psi) a la herramienta.
- Sin oprimir el gatillo, desenganche el seguro de disparo en seco (si corresponde) y presione varias veces el elemento de contacto con la pieza de trabajo contra ella. La herramienta no debe funcionar. No debe haber una fuga de aire de la herramienta.
- Con el elemento de contacto con la pieza de trabajo sin contacto con ella, apunte la herramienta hacia abajo y hacia afuera y oprima el gatillo varias veces. Sostenga el gatillo en esta posición durante, al menos, 5 segundos. La herramienta no debe funcionar.

MANTENIMIENTO

- Presione el elemento de contacto con la pieza de trabajo firmemente contra ella. Oprima el gatillo. La herramienta debe funcionar.
- Con el elemento de contacto con la pieza de trabajo todavía presionado, suelte el gatillo. El impulsor debe volver a la posición superior.
- Si la herramienta cumple con todos los requisitos de esta lista, está preparada para usar. Cargue los sujetadores adecuados para la aplicación deseada.
- Ajuste la profundidad de introducción según la sección **Ajuste de la profundidad de Introducción** de este manual. Recorra esta lista de verificación antes de usar la herramienta cada día, o si se cayó o se dañó de alguna manera.

ACCESORIOS

Para pedir piezas y juegos de mantenimiento, llame al 1-866-340-3912.

Aceite y juego de llave	079065001262
Juego de mantenimiento general.....	079065001263
Juego de mantenimiento del sistema impulsor	079065001264
Juego del conjunto del impulsor	079065001265

ADVERTENCIA:

Arriba se señalan los aditamentos y accesorios disponibles para usarse con esta herramienta. No utilice ningún aditamento o accesorio no recomendado por el fabricante de esta herramienta. El empleo de aditamentos o accesorios no recomendados podría causar lesiones serias.

SOLUCIÓN DE PROBLEMAS

PROBLEMA	CAUSA POSIBLE	SOLUCIÓN
Fuga de aire cerca de la parte superior de la herramienta o junto al gatillo	Tornillos sueltos Juntas tóricas o sellos gastados o dañados	Apriete los tornillos Instale el juego de mantenimiento general
Fuga de aire cerca de la parte inferior de la herramienta	Tornillos sueltos Juntas tóricas o tope gastados o dañados	Apriete los tornillos Instale el juego de mantenimiento general
La herramienta no hace nada o funciona con lentitud	Suministro de aire inadecuado Lubricación inadecuada Juntas tóricas o tope gastados o dañados	Verifique que haya un suministro de aire adecuado Lubrique la herramienta Instale el juego de mantenimiento general
La herramienta sufre atoramientos con frecuencia	Sujetadores inadecuados Sujetadores dañados Afloje el cargador Cargador sucio Sistema impulsor gastado o dañado	Verifique que sean del tamaño correcto los sujetadores Cambie los sujetadores Apriete los tornillos Limpie el cargador Instale el juego de mantenimiento del sistema impulsor

GARANTÍA

DECLARACIÓN DE LA GARANTÍA LIMITADA

One World Technologies, Inc. garantiza al comprador original al menudeo que este producto de One World Technologies, Inc. carece de defectos en los materiales y mano de obra y acuerda reparar o reemplazar, a la sola discreción de One World Technologies, Inc., cualquier producto defectuoso sin cargo alguno dentro del plazo establecido después de la fecha de compra:

- Dos años si el producto se emplea para uso personal, familiar o doméstico;
- 90 días si el producto se emplea para cualquier otro propósito, como el uso comercial o el de alquiler.

Esta garantía únicamente se ofrece al comprador original al menudeo y comienza en la fecha de la compra original al menudeo.

Cualquier parte del producto One World Technologies, Inc. manufacturado o suministrado por One World Technologies, Inc. que, a juicio razonable de One World Technologies, Inc. tenga defectos en los materiales o en la mano de obra, será reparado o reemplazado por un establecimiento de servicio autorizado de productos One World Technologies, Inc. , sin cargo alguno al comprador por concepto de piezas y mano de obra.

El producto, incluida toda pieza defectuosa, debe enviarse a un establecimiento de servicio autorizado dentro del período de la garantía. El propietario es responsable de pagar los gastos de entrega del producto One World Technologies, Inc. al establecimiento para cualquier trabajo garantizado y también los gastos de devolución de la pieza al propietario después de la reparación o reemplazo. La responsabilidad de One World Technologies, Inc.'s con respecto a todo reclamo se limita a las reparaciones o reemplazo del producto, y ningún reclamo de incumplimiento de la garantía será causante de la cancelación o rescisión del contrato de venta de ningún producto de One World Technologies, Inc. En el establecimiento se requerirá el recibo de compra para respaldar cualquier reclamo al amparo de la garantía. Todo trabajo cubierto en la garantía debe ser realizado por un concesionario de servicio autorizado de One World Technologies, Inc.

Esta garantía se limita a noventa (90) días a partir de la fecha original de la compra de cualquier producto One World Technologies, Inc. empleado para propósitos comerciales o de alquiler, o cualquier otro propósito generador de ingresos.

Esta garantía no cubre ningún producto de One World Technologies, Inc. que haya estado sujeto a abuso, abandono, negligencia o accidente, o que se haya utilizado en alguna manera de forma contraria a las instrucciones de funcionamiento según se especifica en este manual del operador . Esta garantía no aplica a los daños en el producto de One World Technologies, Inc. que resulten de un mantenimiento indebido ni a producto alguno de One World Technologies, Inc. que haya sido alterado o modificado. La garantía no cubre las reparaciones que resulten necesarias por

el desgaste normal o por el uso de piezas o accesorios que sean **INCOMPATIBLES CON EL PRODUCTO DE WORLD TECHNOLOGIES, INC.** o que afecten adversamente su funcionamiento, desempeño o durabilidad.

One World Technologies, Inc. se reserva el derecho a cambiar o mejorar el diseño de cualquier producto de One World Technologies, Inc. sin asumir ninguna obligación de modificar ningún producto fabricado previamente.

TODAS LAS GARANTÍAS IMPLÍCITAS ESTÁN LIMITADAS EN DURACIÓN SEGÚN EL PERÍODO DE GARANTÍA DECLARADA. POR CONSIGUIENTE, CUALQUIER GARANTÍA IMPLÍCITA, INCLUSO LAS DE COMERCIABILIDAD, IDONEIDAD PARA UN PROPÓSITO EN PARTICULAR, O DE CUALQUIER TIPO, PIERDEN TOTALMENTE SU VALIDEZ DESPUÉS DEL VENCIMIENTO DEL PERÍODO DE GARANTÍA CORRESPONDIENTE DE DOS AÑOS, UN AÑO O NOVENTA DÍAS. DE CONFORMIDAD CON ESTA GARANTÍA, LA OBLIGACIÓN DE ONE WORLD TECHNOLOGIES, INC., SE LIMITA ESTRICTA Y EXCLUSIVAMENTE A LA REPARACIÓN O REMPLAZO DE LAS PIEZAS DEFECTUOSAS, Y ONE WORLD TECHNOLOGIES, INC., NO ASUME NINGUNA OTRA OBLIGACIÓN, NI AUTORIZA A NADIE ASUMIRLA A NOMBRE DE DICHA COMPAÑÍA. ALGUNOS ESTADOS NO PERMITEN LIMITACIONES EN CUANTO A LA DURACIÓN DE UNA GARANTÍA IMPLÍCITA, POR LO CUAL ES POSIBLE QUE LA LIMITACIÓN ANTERIOR NO SE APLIQUE EN EL CASO DE USTED. ONE WORLD TECHNOLOGIES, INC. NO ASUME NINGUNA RESPONSABILIDAD POR DAÑOS DIRECTOS, INDIRECTOS O DE NINGÚN OTRO TIPO, COMO EL GASTO DE ENVIAR EL PRODUCTO DE ONE WORLD TECHNOLOGIES, INC. A UN ESTABLECIMIENTO DE SERVICIO AUTORIZADO Y EL GASTO DE ENVIARLO DE ALLÍ AL PROPIETARIO, EL TIEMPO DE VIAJE DEL MECÁNICO, CARGOS TELEFÓNICOS O TELEGRÁFICOS, ALQUILER DE UN PRODUCTO SUSTITUTO DURANTE EL TIEMPO DE REALIZACIÓN DEL SERVICIO DE LA GARANTÍA, VIAJES, PÉRDIDA O DAÑOS A OBJETOS DE PROPIEDAD PERSONAL, PÉRDIDA DE INGRESOS, PÉRDIDA DEL USO DEL PRODUCTO, PÉRDIDA DE TIEMPO O INCONVENIENTES. EN ALGUNOS ESTADOS NO SE PERMITE LA EXCLUSIÓN O LIMITACIÓN DE DAÑOS DIRECTOS O INDIRECTOS, POR LO CUAL ES POSIBLE QUE LA LIMITACIÓN O EXCLUSIÓN DESCRITA ARRIBA NO SE APLIQUE EN SU CASO.

Esta garantía le confiere derechos legales específicos, y es posible que usted goce de otros derechos, los cuales pueden variar de estado a estado.

Esta garantía se aplica a todos los productos de One World Technologies, Inc. fabricados o vendidos por dicha compañía en Estados Unidos y Canadá.

Para encontrar el concesionario de servicio autorizado más cercano a usted, llame al 1-866-340-3912.

Fig. 1

- A - Trigger (gatillo)
- B - Adjustable exhaust (escape ajustable)
- C - Quick-connect air fitting (conector giratorio rápido)
- D - Latch (pestillo)
- E - Jam release (soltador)
- F - Reload indicator (indicador de agotamiento de carga)
- G - No-mar nosepiece (punta protectora)
- H - Workpiece contact (disparador de contacto)
- I - Depth of drive adjustment (ajuste de la profundidad de introducción)
- J - Rear-loading magazine (cargador de carga posterior)
- K - Dust cap (tapa guardapolvol)

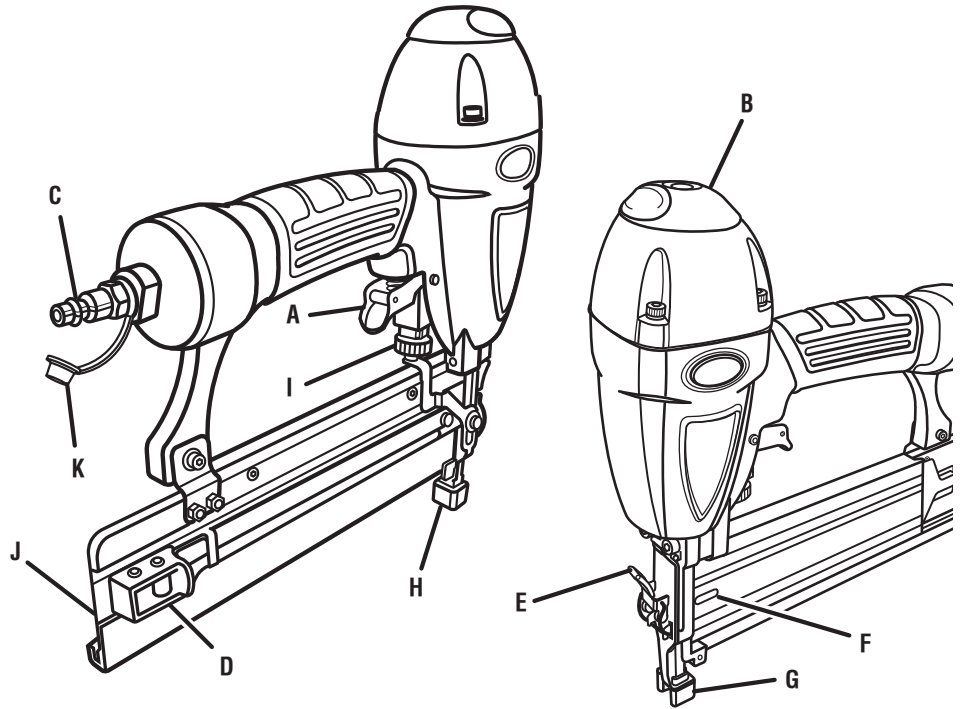
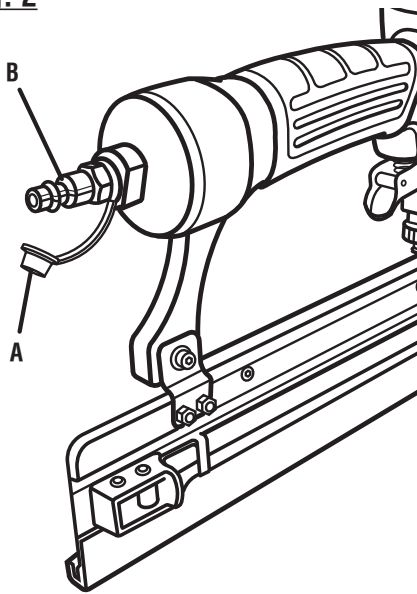
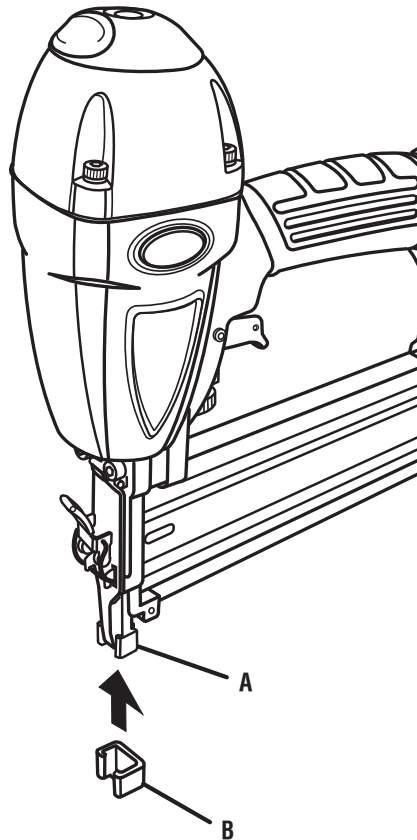


Fig. 2



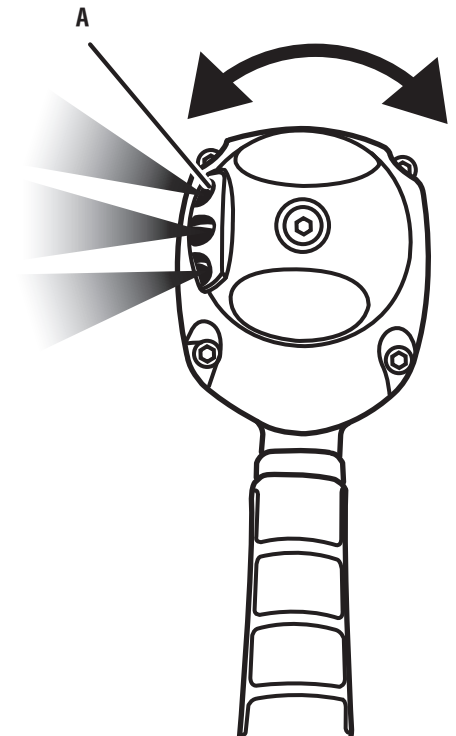
- A - Dust cap (tapa guardapolvol)
- B - Quick-connect air fitting (conector giratorio rápido)

Fig. 3



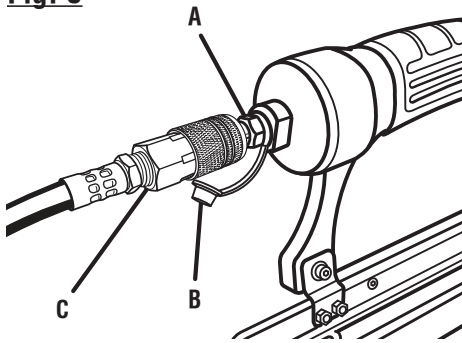
- A - Workpiece contact (cargador de carga lateral)
- B - No mar nosepiece (punta protectora)

Fig. 4



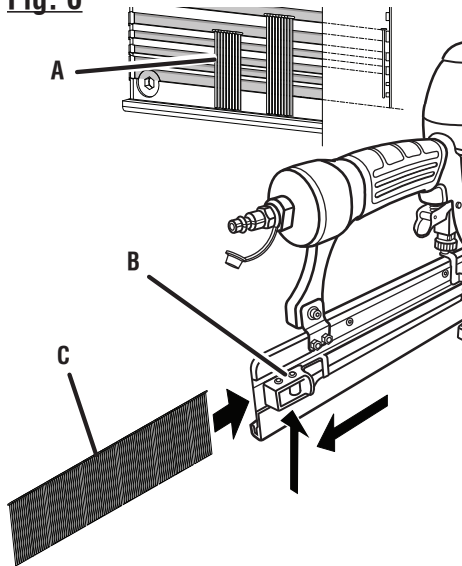
- A - Adjustable exhaust (escape ajustable)

Fig. 5



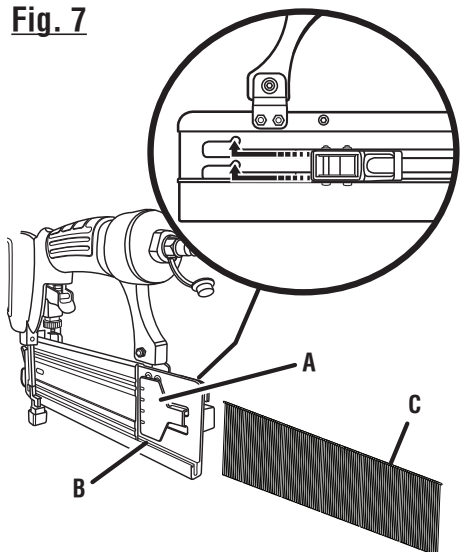
- A - Quick-connect air fitting (cargador de carga lateral)
- B - Dust cap (cargador de carga lateral)
- C - Air hose connector (conector de la manguera de aire)

Fig. 6



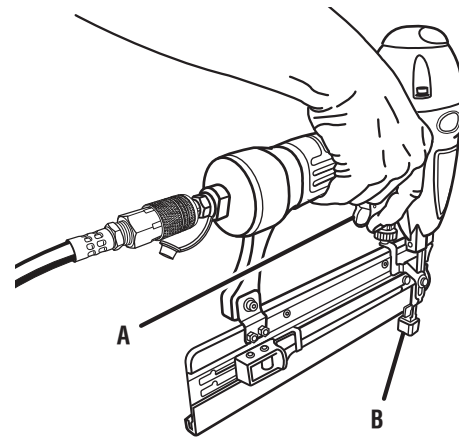
- A - Nail track (cargador de carga lateral)
- B - Push latch (pestillo ubicado)
- C - Nail strip (tira de clavos)

Fig. 7



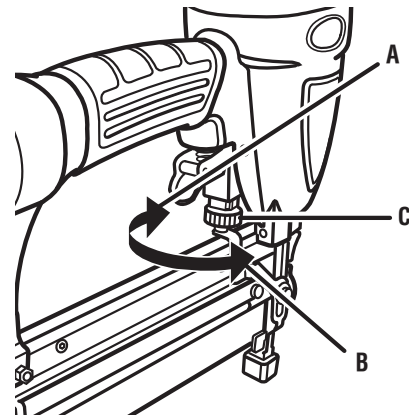
- A - Push plate (pestillo ubicado)
- B - Channel (canal)
- C - Nail strip (tira de clavos)

Fig. 8



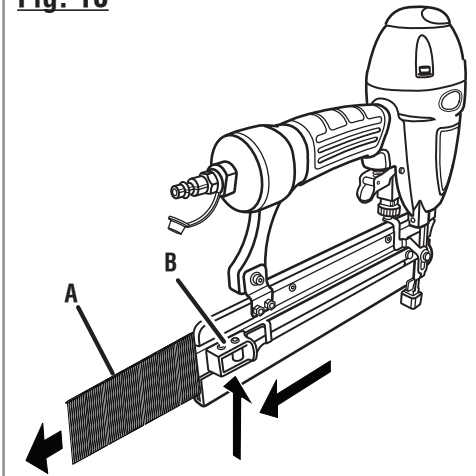
- A - Trigger (gatillo)
- B - Workpiece contact (disparador de contacto)

Fig. 9



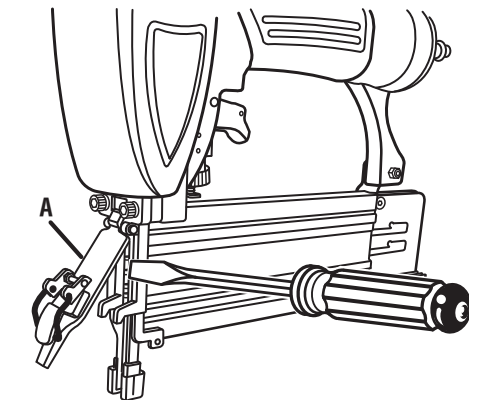
- A - To increase depth (para aumentar la profundidad)
- B - To decrease depth (para disminuir la profundidad)
- C - Drive depth adjustment (ajuste de la profundidad de introducción)

Fig. 10



- A - Nail strip (nail strip)
- B - Push latch (pestillo ubicado)

Fig. 11



- A - Jam release (soltador)



HUSKY

OPERATOR'S MANUAL

16 GAUGE STRAIGHT FINISH NAILER

CALIBRE 16 CLAVADORA DE ACABADO RECTA

H250SFA

- **SERVICE**

Now that you have purchased your tool, should a need ever exist for repair parts or service, simply contact your nearest Authorized Service Center. Be sure to provide all pertinent facts when you call or visit. Please call 1-866-340-3912 for your nearest Authorized Service Center.

- **MODEL NO. AND SERIAL NO.**

The model number of this tool will be found on a plate attached to the air tank. Please record the model number and serial number in the space provided below.

- **HOW TO ORDER REPAIR PARTS**

When ordering repair parts, always give the following information:

- MODEL NUMBER H250SFA
- SERIAL NUMBER

- **SERVICE**

Now that you have purchased your tool, should a need ever exist for repair parts or service, simply contact your nearest Authorized Service Center. Be sure to provide all pertinent facts when you call or visit. Please call 1-866-340-3912 for your nearest Authorized Service Center.

- **MODEL NO. AND SERIAL NO.**

The model number of this tool will be found on a plate attached to the air tank. Please record the model number and serial number in the space provided below.

- **HOW TO ORDER REPAIR PARTS**

When ordering repair parts, always give the following information:

- MODEL NUMBER H250SFA
- SERIAL NUMBER

ONE WORLD TECHNOLOGIES, INC.

Hwy. 8

Pickens, SC 29671

Phone 1-866-340-3912