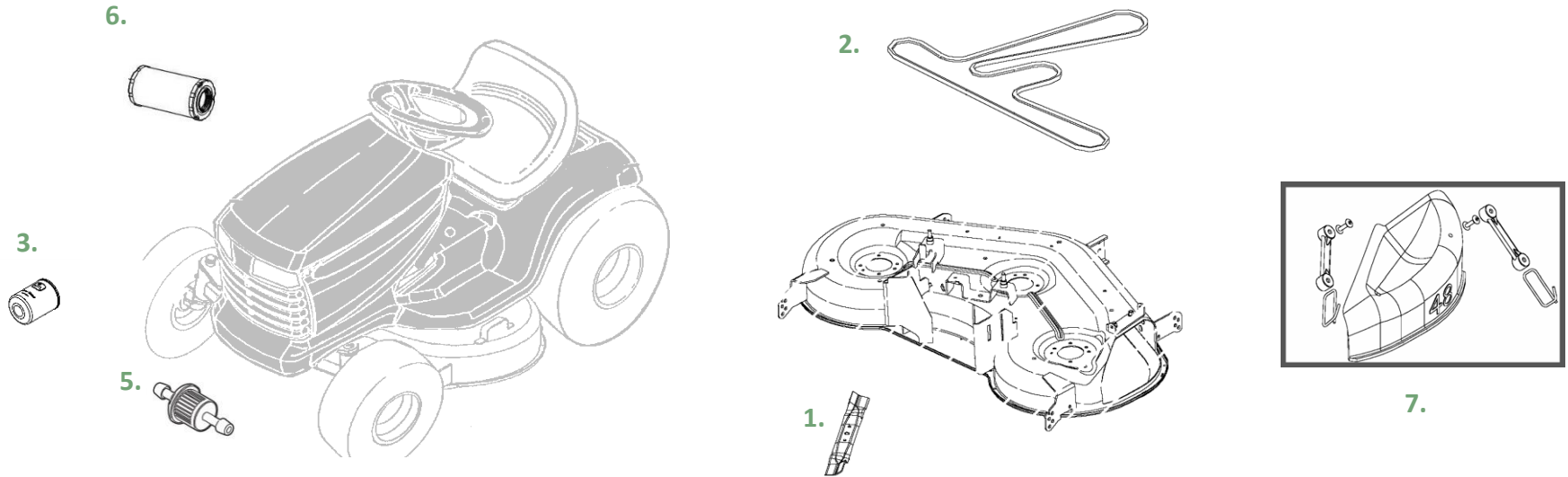


# John Deere E140-CARB Lawn Tractor

## Parts and Maintenance Information



| Key | Description               | Part Number | THD Store SKU | THD Online SKU |
|-----|---------------------------|-------------|---------------|----------------|
| 1.  | 48 inch Mower Blade (3n1) | GY20852     | 469-450       | 100571304      |
| 2.  | 48 inch Mower Deck Belt   | GX21833     | 470-341       | 100546396      |
| 3.  | Oil Filter                | GY20577     | 226-963       | 100175070      |
| 4.  | Oil                       | TY22029     | 226-971       | 100127512      |
| 5.  | Fuel Filter               | GY20709     | 289-625       | 100126418      |
| 6.  | Air Filter                | GY21435     | 876-771       | 202722487      |
| 7.  | Mulch Cover               | GY20417     | NA            | 100670937      |

# John Deere E140-CARB Lawn Tractor

## Parts and Maintenance Information

- **Service Intervals**

| After 8 Hours                                 | Yearly or Every 50 Hours (Whichever Comes First)   |
|---|--|
| Lubricate mower spindles and pivot points.    | Change engine oil & replace filter. (Service more frequently under dusty conditions.)            |
| Check mower deck spindle brakes (Manual PTO)  | Clean/replace air filter precleaner & element. (Service more frequently under dusty conditions.) |
| Lubricate front axle pivot and axle spindles. | Replace fuel filter.   |
| Lubricate front axle wheel bushings.          | Sharpen/replace mower blades.  |
| Every 25 Hours                                | Check/replace mower drive belt.  |
| Lubricate mower spindles and pivot points.    | Every 200 Hours  |
| Lubricate front axle pivot and axle spindles. | Check/adjust valve clearance. See your John Deere dealer for this service.                       |
| Lubricate front axle wheel bushings.          |  |

For complete parts information for 100 Series Tractors: Visit your local John Deere Dealer or [www.Deere.com](http://www.Deere.com)

\*Refer to Operators Manual for a complete listing of service intervals.