

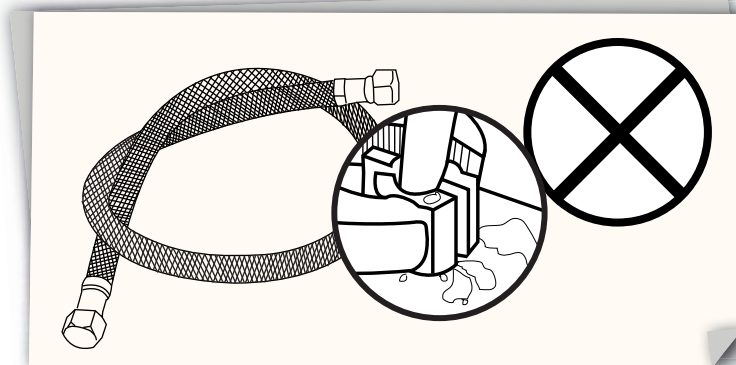
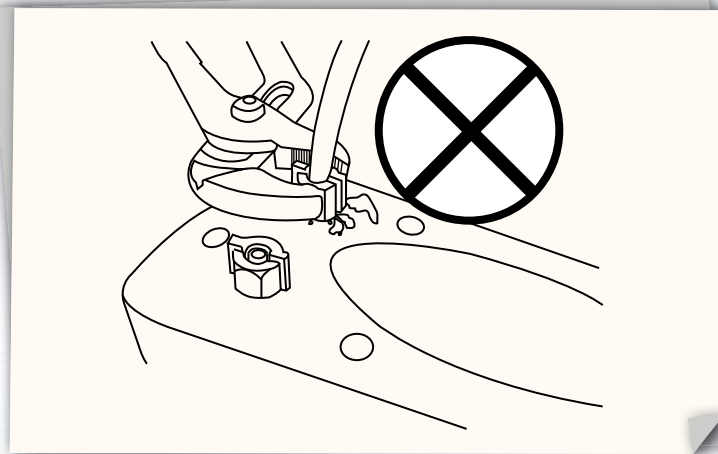
# BIO BIDET® BBC-270

**WARNING**

**Do Not over-tighten plumbing connections.**

Over-tightening plumbing connections can damage parts and cause leaks.

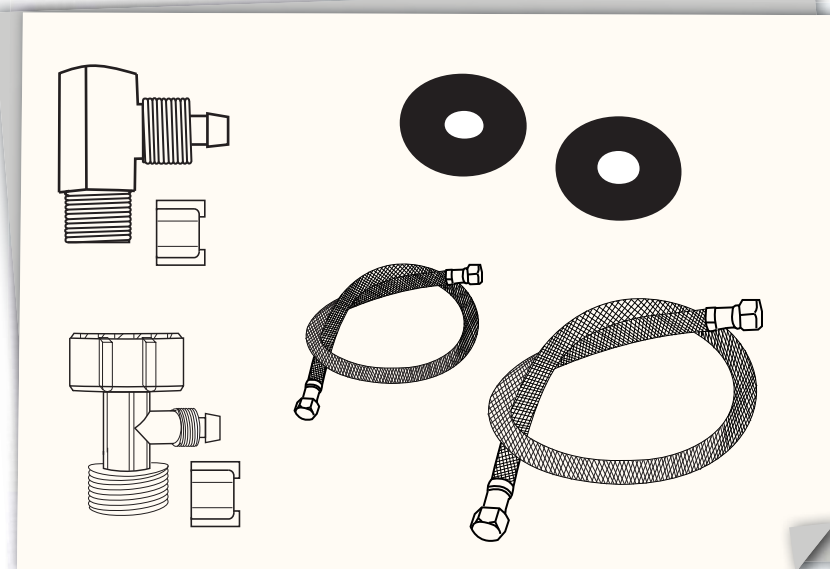
**Both Hot & Cold must be connected**



# BIO BIDET® BBC-270

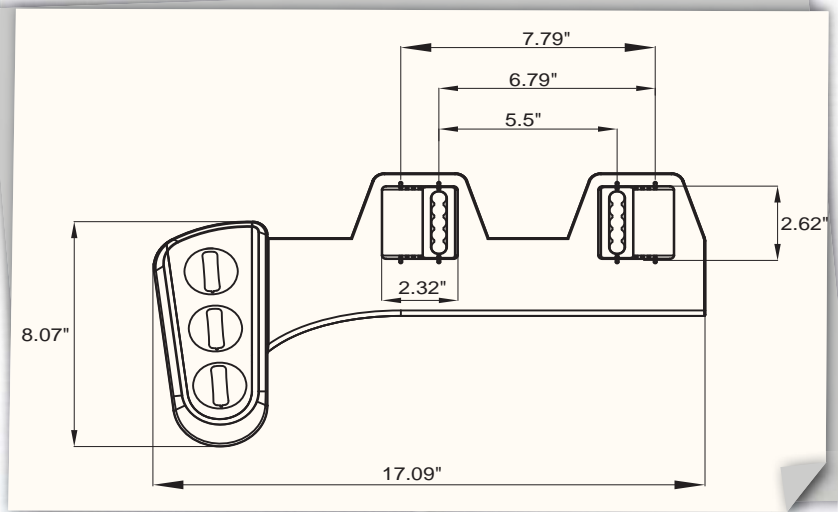
## Parts List

Name	Quantity
3/8" T Valve - Hot	1
7/8" T Valve - Cold	1
Hot water hose	1
Cold water hose	1
Owner's Manual	1
Protective O rings	2



# BIO BIDET® BBC-270

## Configuration

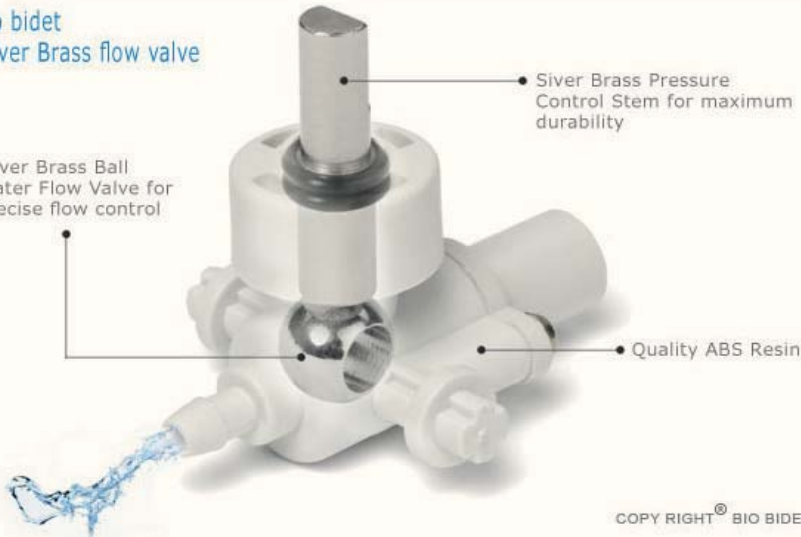


bio bidet  
Silver Brass flow valve

Silver Brass Ball  
Water Flow Valve for  
precise flow control

Silver Brass Pressure  
Control Stem for maximum  
durability

Quality ABS Resin



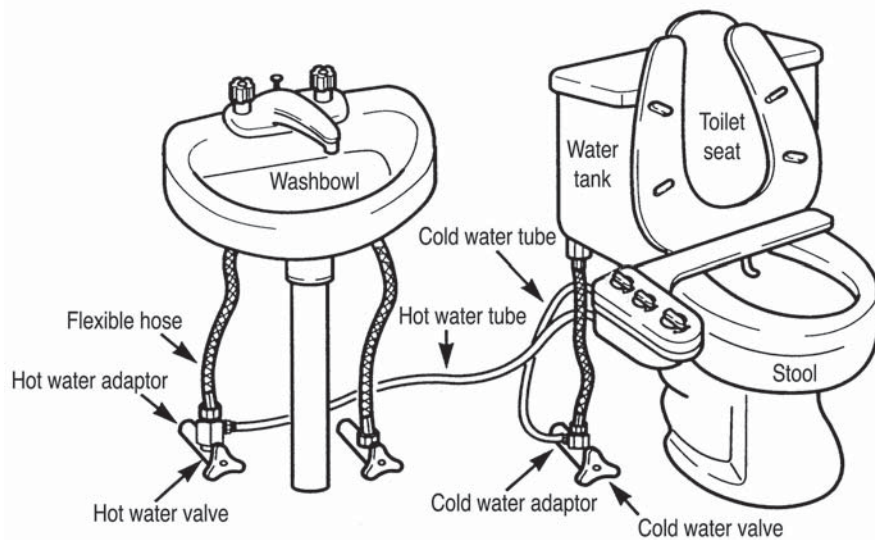
COPY RIGHT® BIO BIDET

## BIO BIDET® BBC-270

---

Your BBC-270 comes included with a 78" metal water supply hose to connect your bidet to your hot water supply valve.

If this is not long enough to cover the distance from your toilet to your hot water supply line, additional 78" extension kits can be purchased by contacting our sales office at 847.458.2334.



## Installation Instruction

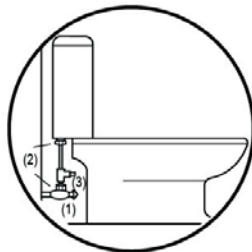
### 1. CAUTION

Do Not over tighten any connections. Over tightening connections and adaptor can cause damage to the parts.

DO NOT OVER TIGHTEN CONNECTIONS.

### 2. PROCEDURES FOR ASSEMBLY

1



Shut water supply by turning it to the right and disassemble the water hose.  
Flush toilet to drain water inside of toilet water tank before disassembling the water hose.

2

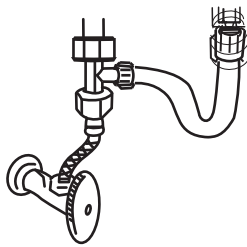


Remove existing seat and lid.  
Release the bolts on both sides of the existing toilet seat.



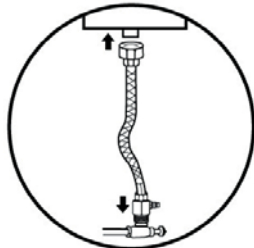
# BIO BIDET® BBC-270

3



**COLD WATER :**  
Connect supplied T valve to the toilet fill valve. Connect water line to remaining open side of the installed 7/8" T valve.

4



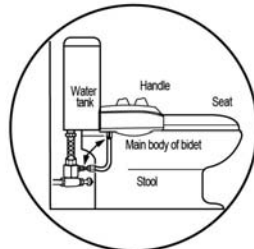
Locate the hot water supply line in your bathroom under your sink and install supplied 3/8" T. Connect supplied hot water supply hose to remaining open side of the installed 3/8" T valve.

5



Mount bidet and toilet seat/lid over toilet mounting holes. Supplied rubber O-rings should be placed under the bidet mounting bracket to protect and secure bidet on the toilet.

6



Connect water supply hose.

## Maintenance

To clean the nozzle, gently pull down on the head of the nozzle, and use a toothbrush or soft cloth and mild detergent to clean the nozzle. You may also remove the entire nozzle assembly and soak it into mild detergent.

Do not use any harsh, abrasive products to clean unit, which may damage the surface of the product.



BIO BIDET® BBC-270

---

*Thank You*

Technical support / Customer Service

BBC Innovation Corp  
204 Berg ST Algonquin, IL 60102

T : 847.458.2334  
U.S Toll Free : 877.339.5214

[support@biobidet.com](mailto:support@biobidet.com)  
[www.biobidet.com](http://www.biobidet.com)