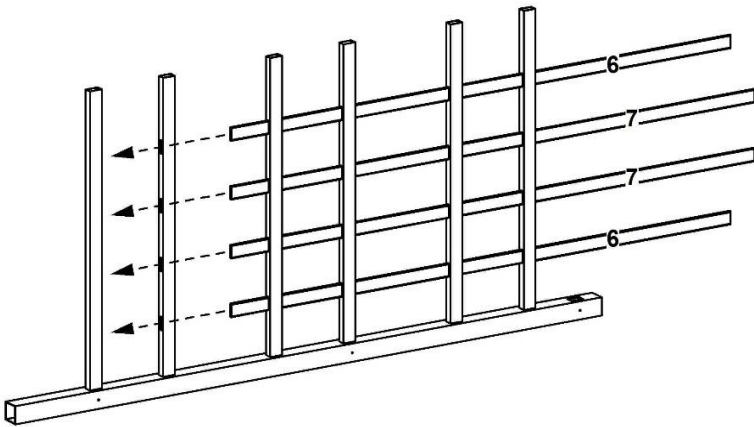


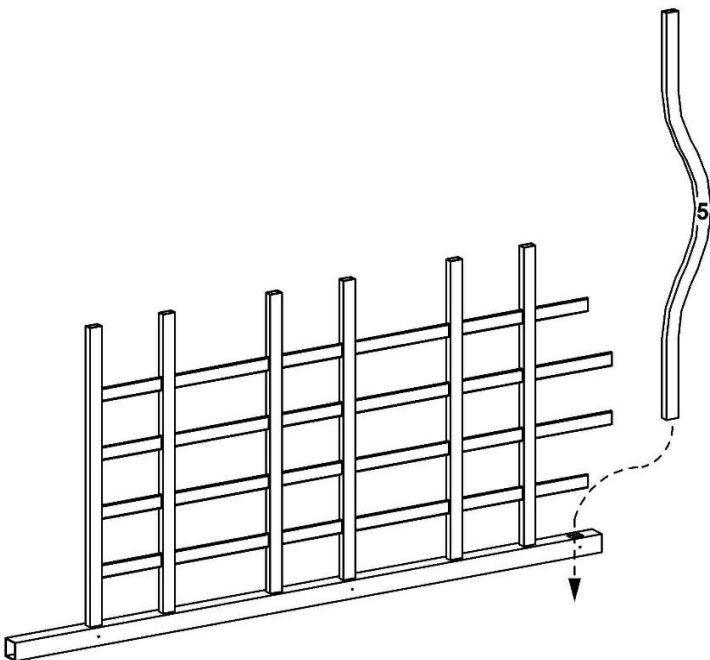
1

Lay out one right post (part 2). Starting at bottom, insert one bottom cross rail (part 3) and five center cross rails (part 4).



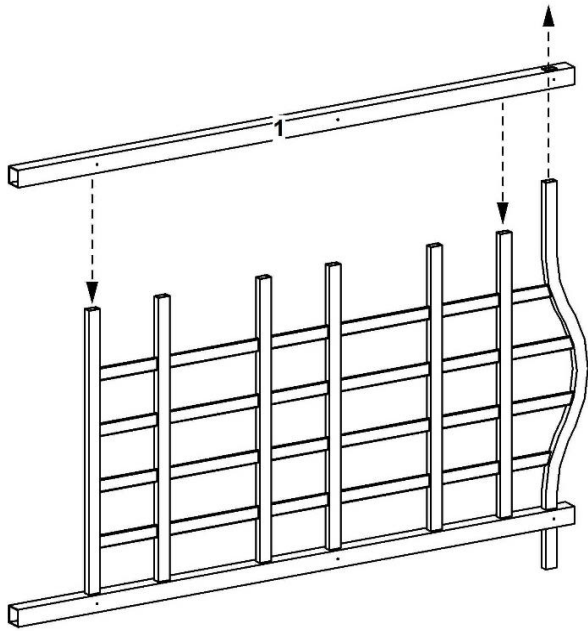
2

Insert two 63" vertical slats (part 6) through outer holes of center cross rails and into bottom cross rail. Insert two 66" vertical slats (part 7) through inner holes of center cross rails and into bottom cross rail.



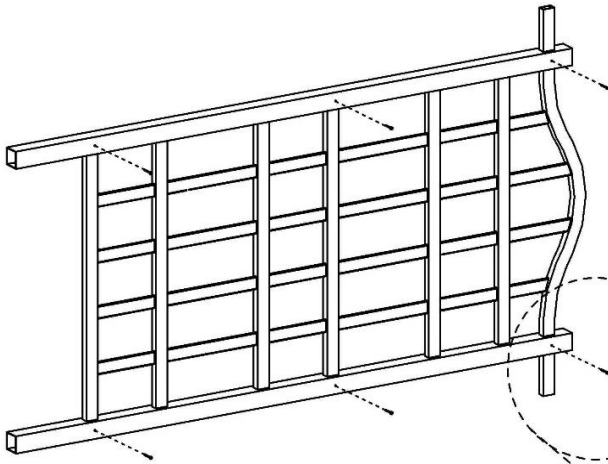
3

Insert top bent rail (part 5) through right post, inserting vertical slats into top bent rail.



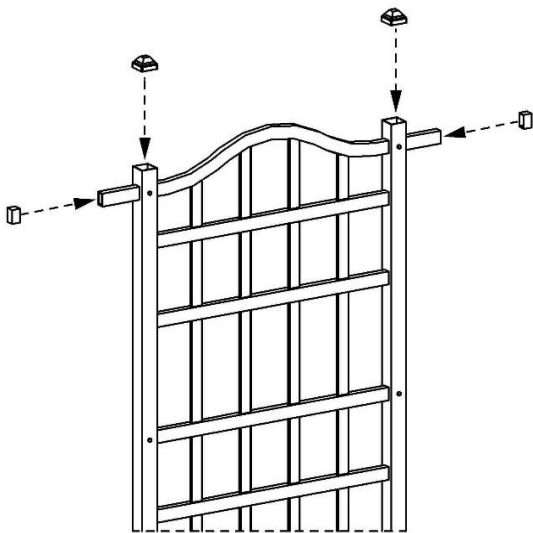
5

Insert bent top rail through left post (part 1), inserting center cross rails and bottom cross rail into left post.



6

Using 1¼" kappet screws, screw together trellis. Be sure that all parts are fully inserted into posts before securing.



7

Using PVC, super or crazy glue; glue post caps onto posts.