

FOOT PEDAL LATCH

PRODUCT ITEM NUMBER-110537
DIMENSIONS: L 8"X W 6"X H 3"
WEIGHT: 2.5lbs.
MANUAL NUMBER-104828-B

MODEL ITEM 10537

LIMITATION OF LIABILITY

NOTICE: Once used, this kit cannot be returned to the store. If you have a warranty claim, please read and follow Warranty Information directions below

WARRANTY INFORMATION

CLAM OUTDOORS INC. warrants to the original retail purchaser its product be free from manufacturers defects for (5) years from the date of the original purchase. Clam Outdoors Inc will replace or repair any part found defective within the (5) years time limit. All parts must be returned to Clam Outdoors Inc. Before returning any parts, you must first call or write and acquire a return authorization. All returns must be returned postage-prepaid and include the original cash register receipt (date and purchase price).

To submit a warranty claim request, please use one of the following methods:

- Customer Service Hrs: 9am to 4pm, Monday – Friday Central Standard Time
- Clam Corporation
Attn: Customer Service – Warranty Department
12135 Brockton Lane
Rogers, MN 55369
- Phone: 763-231-4120
- Fax: 763-231-4121
- Email: customerservice@clamcorp.com
- Website: Clamoutdoors.com

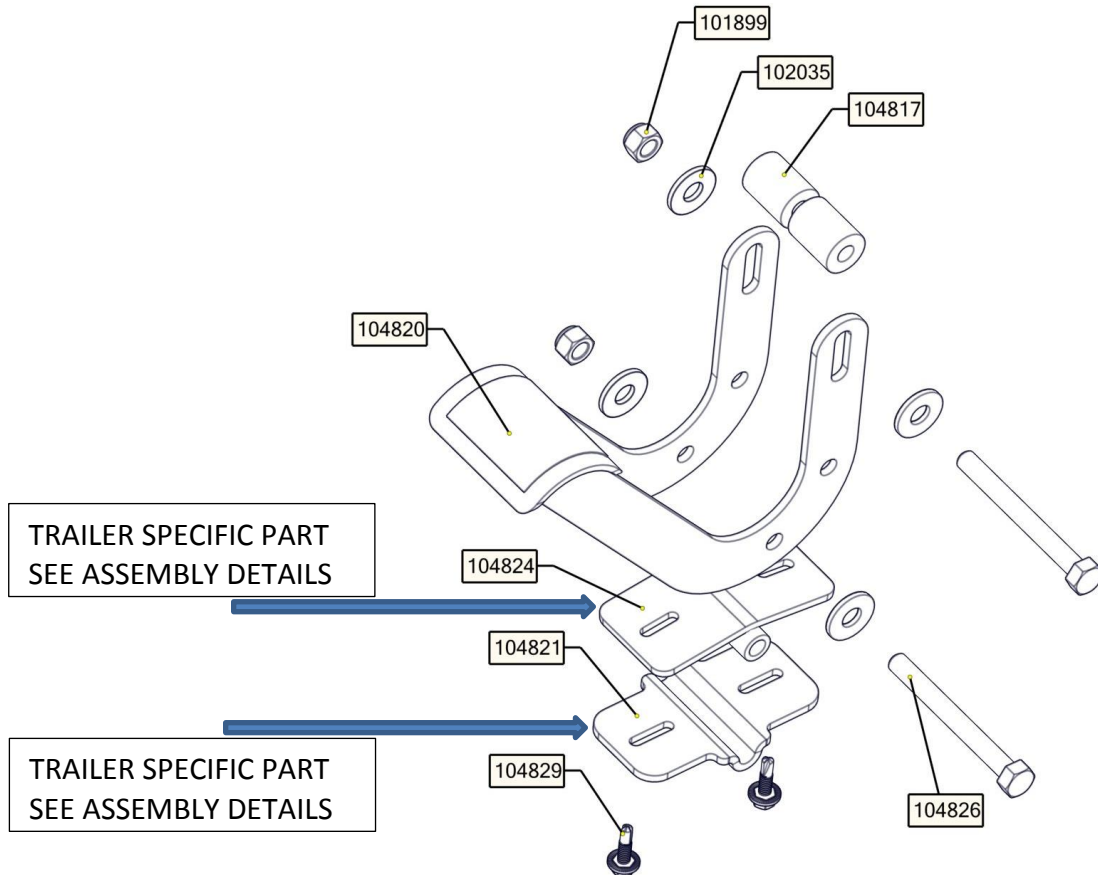
The warranty does not apply to any Polar Trailer accessory which has been subjected to an accident, improper installation, modification, adjustment, repair, misuse, misapplication, neglect, including but not limited to improper maintenance, or use of unauthorized parts or attachments.

LIMITATION OF LIABILITY

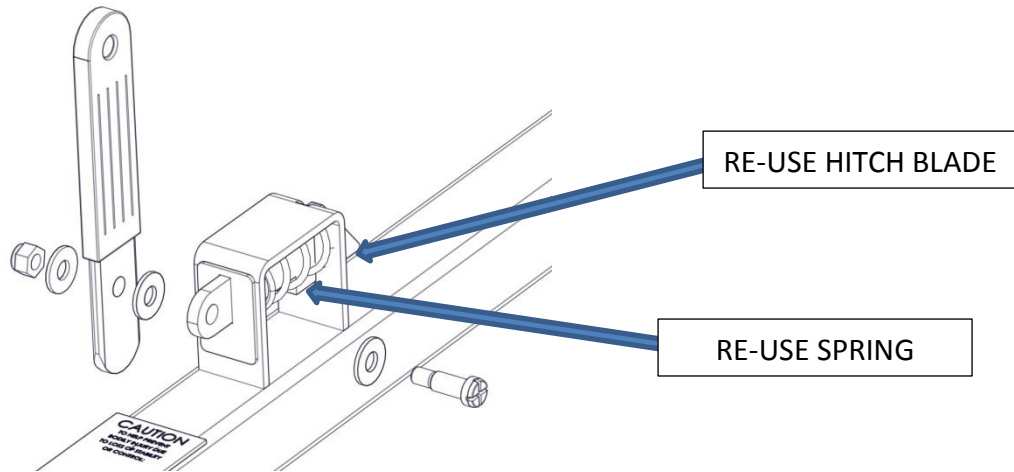
It is expressly understood that Clam Outdoors Inc. liability for its products, whether due to breach of warranty, negligence, strict liability, or otherwise, is limited to the repair of the product as stated above. Clam Outdoor Inc. is not liable for any injury, loss, damage, or expense, whether direct or consequential, including but not limited to loss of use, income, profit, or damage to material arising in connection with the sale, installation, use of, inability to use, or the repair or replacement of Clam Outdoor Inc. products. Clam Outdoor Inc. reserves the right to make alterations or modifications in its products at any time, which in its opinion, may improve the performance and efficiency of the product. It shall not be obligated to make such alterations or modifications to products already in service.

PARTS LIST

QTY.	PART NO.	DESCRIPTION
1	104820	WLDMT, FOOT PEDAL
2	104817	BUSHING, PIVOT, FOOT PEDAL
1	104821	PLATE, FLAT, FOOT PEDAL
1	104824	WLDMT, PLATE, FOOT PEDAL
2	101899	NUT, 5/16-18 NYLOCK
2	104826	BOLT, 5/16-18 X 3.00 HEX
4	102035	WASHER, 5/16 WIDE FLAT
1	104828	INSTRUCTION, FOOT PEDAL
3	104829	SCREW, M5 X 1 HEX, DRILLING SCREW

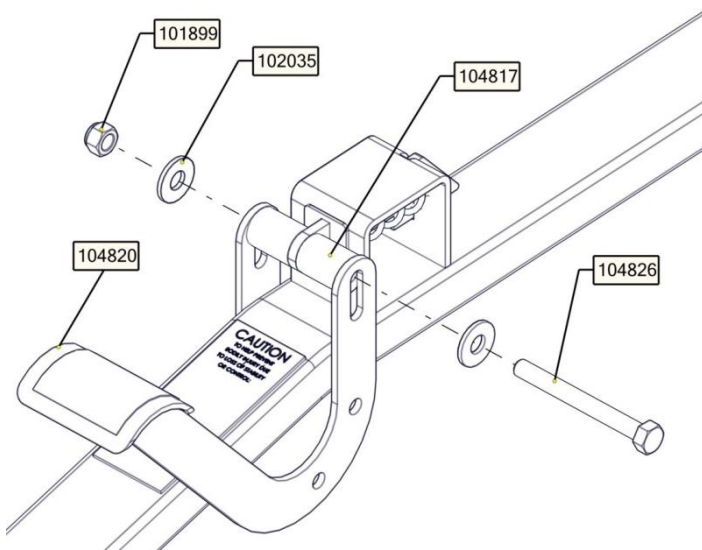


DISSASSEMBLY CURRENT HAND LEVEL

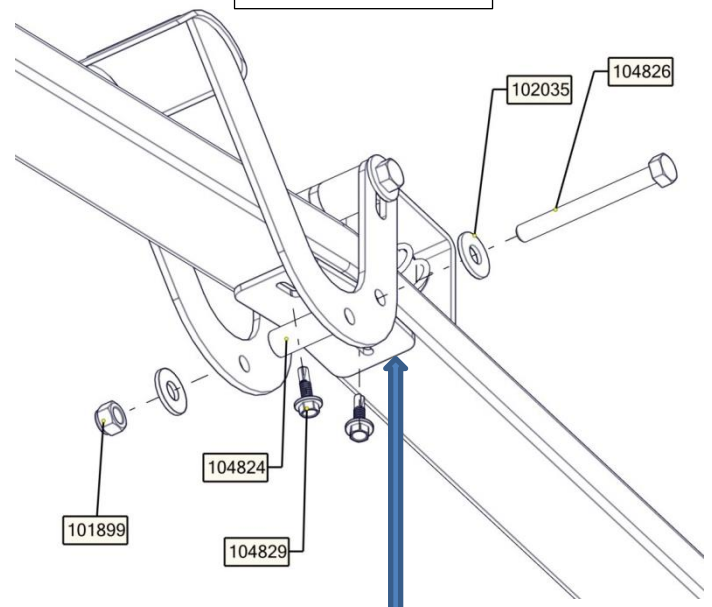


ASSEMBLY FOR LG7, LG600 AND CF10 TRAILERS


**STEP-1
TOP VIEW**

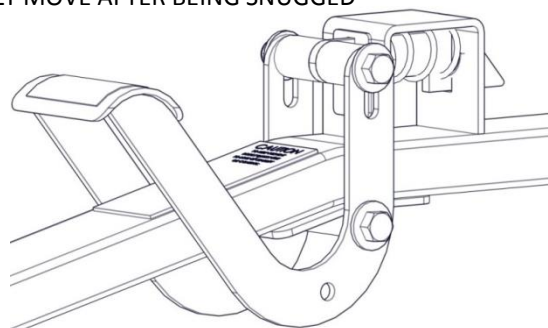


**STEP-2
BOTTOM VIEW**




FINAL ASSEMBLY

1. SECURELY SNUG ALL FASTNERS **(DO NOT OVER TIGHTEN)**
2.  FOOT PEDAL SHOULD FREELY MOVE AFTER BEING SNUGGED



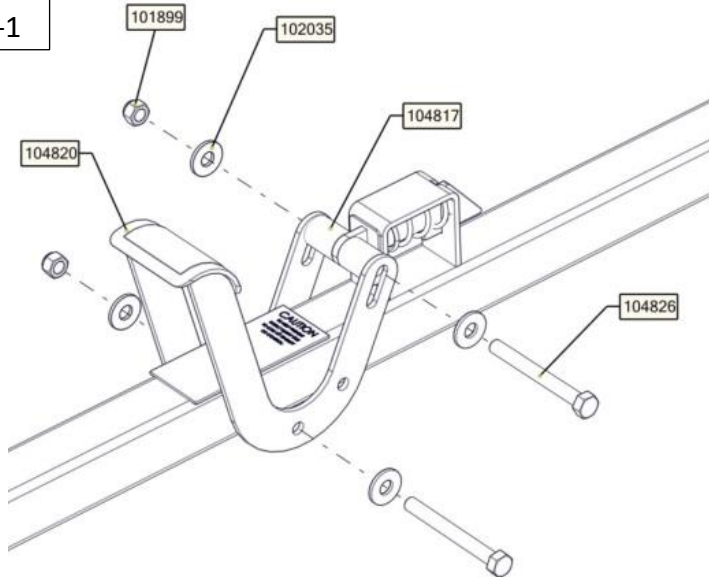
CRADLE (104824) IN PLACE AND MARK HOLE LOCATIONS. DRILL TWO 1/8" HOLES AND THEN SCREW (104824) IN PLACE WITH TWO (104829) AND TIGHTEN SECURELY.

 ***SOME UNITS MAY HAVE BEEN PRE-DRILLED ALREADY.***

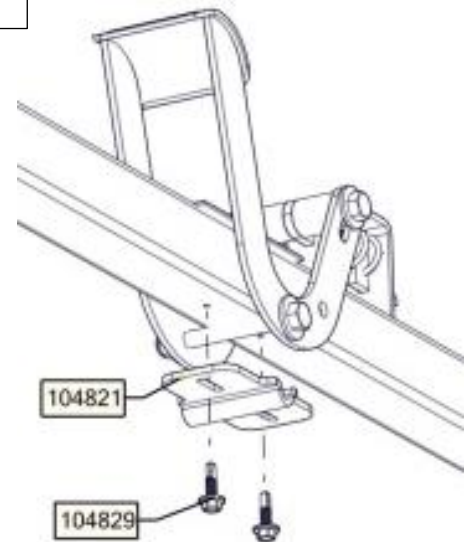
ASSEMBLY FOR LG10 AND LG900 TRAILERS

INSTRUCTIONS FOR TRAILERS WITH PRE-DRILLED SIDE HOLE

STEP-1



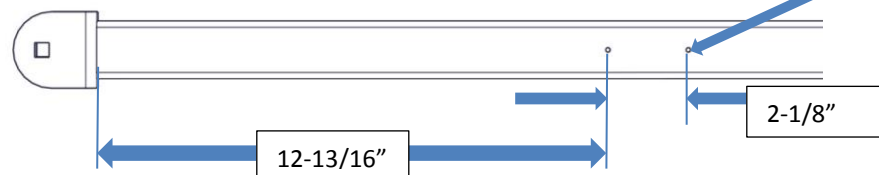
STEP-2



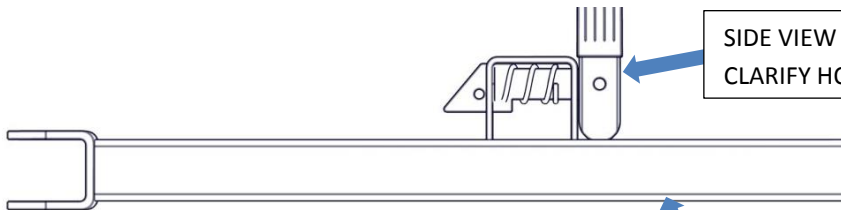
INSTRUCTIONS FOR LG10 AND LG900 TRAILERS WITHOUT PRE-DRILLED SIDE HOLE

STEP-1
BOTTOM VIEW

MARK HOLE LOCATIONS AS SHOWN AND DRILL TWO 1/8" DIAMETER HOLES. SOME UNITS MAY HAVE BEEN PRE-DRILLED ALREADY.



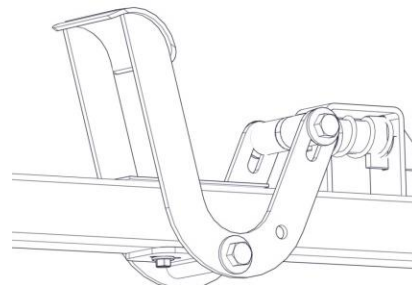
SIDE VIEW AND PARTS SHOWN TO CLARIFY HOLE LOCATIONS.



BOTTOM HOLE LOCATION THIS SIDE OF LEVER ASSEMBLY

FINAL ASSEMBLY

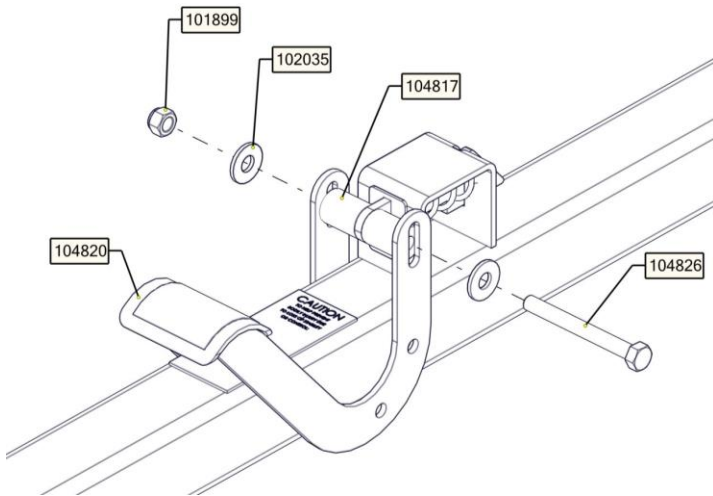
1. SECURELY SNUG ALL FASTNERS (**DO NOT OVER TIGHTEN**)
2. ⚠️ FOOT PEDAL SHOULD FREELY MOVE AFTER BEING SNUGGED



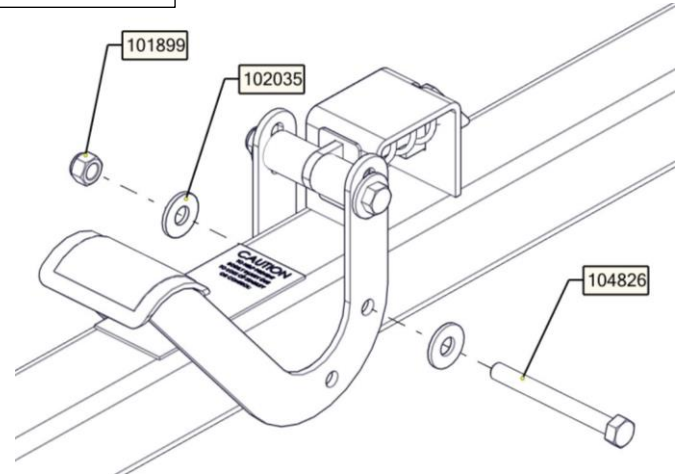
ASSEMBLY FOR CF18, HD1200 TRAILERS

INSTRUCTIONS FOR TRAILERS WITH PRE-DRILLED SIDE HOLE

STEP-1



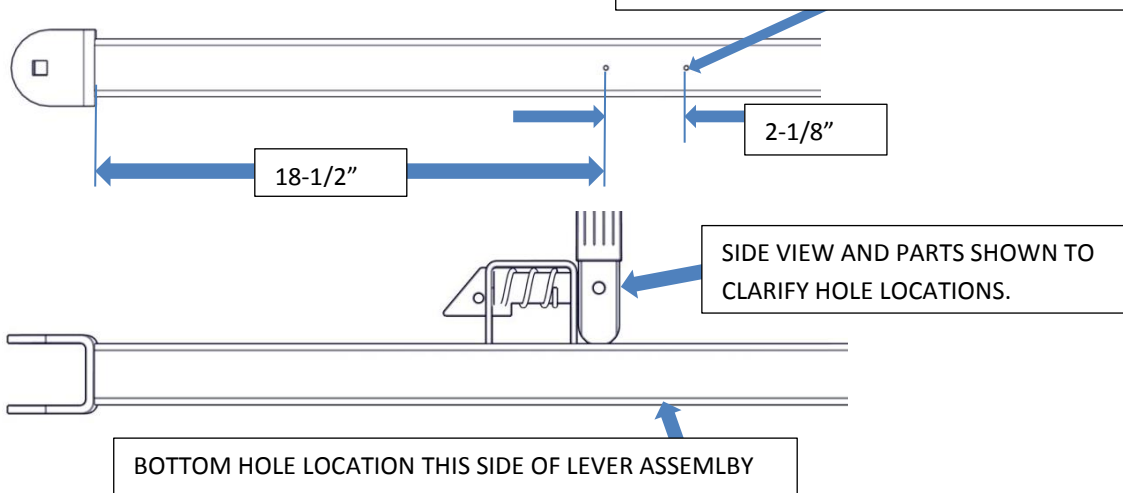
STEP-2



INSTRUCTIONS FOR CF18 AND HD1200 TRAILERS WITHOUT PRE-DRILLED SIDE HOLE

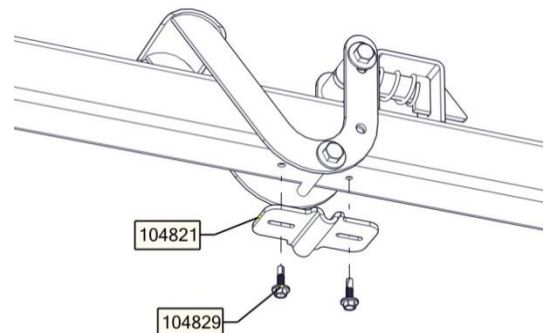
STEP-1

MARK HOLE LOCATIONS AS SHOWN AND DRILL TWO 1/8" DIAMETER HOLES.



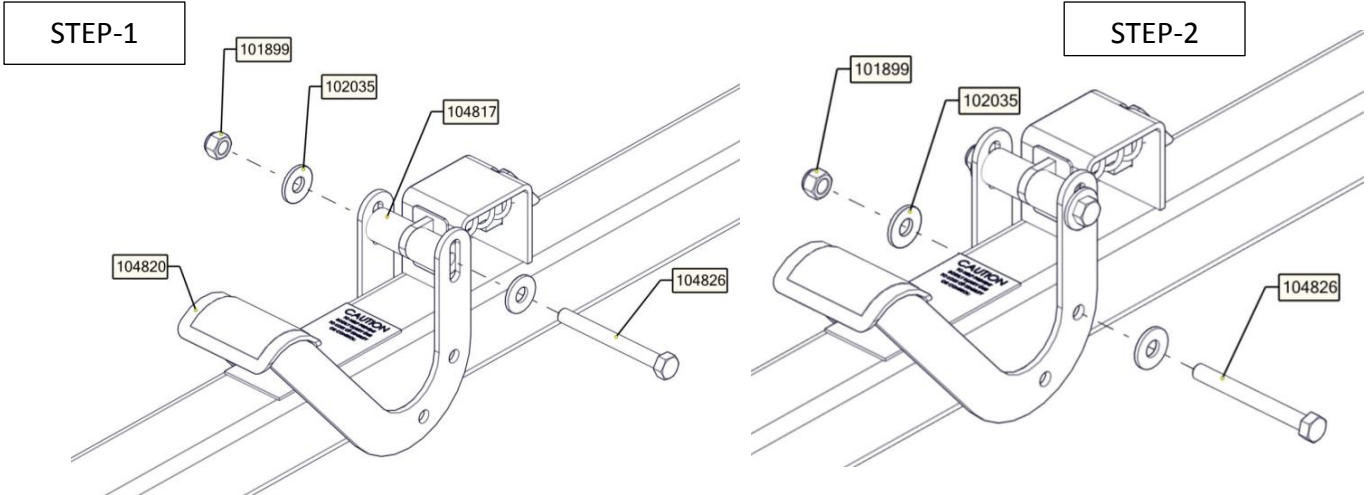
FINAL ASSEMBLY

1. SECURELY SNUG ALL FASTNERS (**DO NOT OVER TIGHTEN**)
2. ⚠️ FOOT PEDAL SHOULD FREELY MOVE AFTER BEING SNUGGED



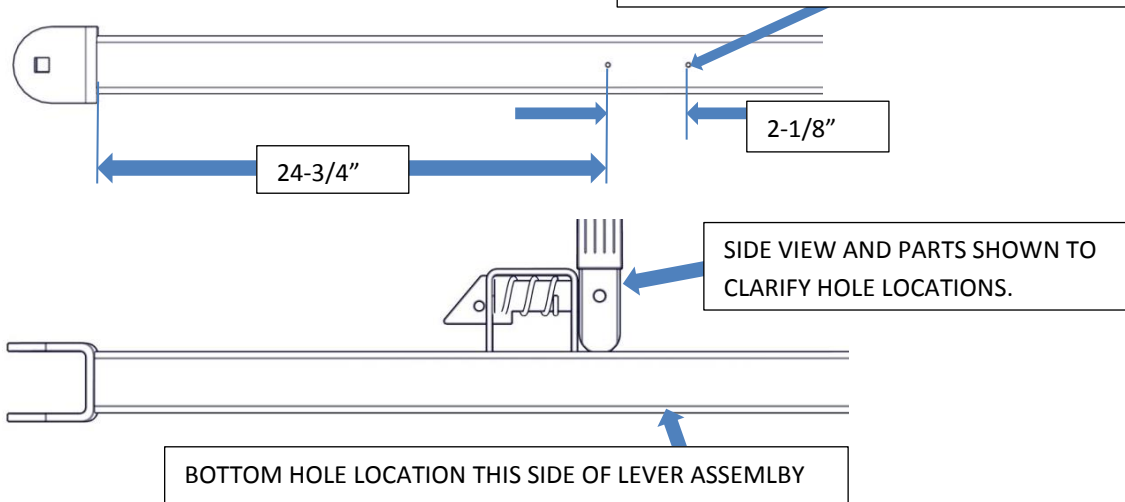
ASSEMBLY FOR HD1500 TRAILERS

INSTRUCTIONS FOR TRAILERS WITH PRE-DRILLED SIDE HOLE



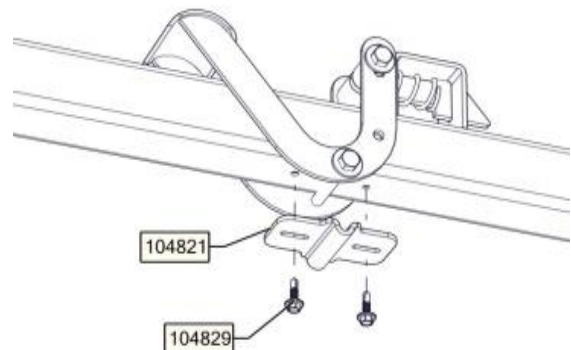
INSTRUCTIONS FOR HD1500 TRAILERS WITHOUT PRE-DRILLED SIDE HOLE

MARK HOLE LOCATIONS AS SHOWN AND DRILL TWO 1/8" DIAMETER HOLES. SOME UNITS MAY HAVE BEEN PRE-DRILLED ALREADY.



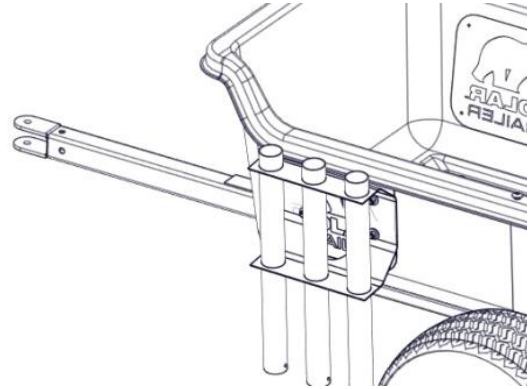
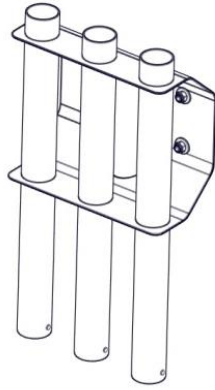
FINAL ASSEMBLY

1. SECURELY SNUG ALL FASTNERS (**DO NOT OVER TIGHTEN**)
2. ⚠️ FOOT PEDAL SHOULD FREELY MOVE AFTER BEING SNUGGED

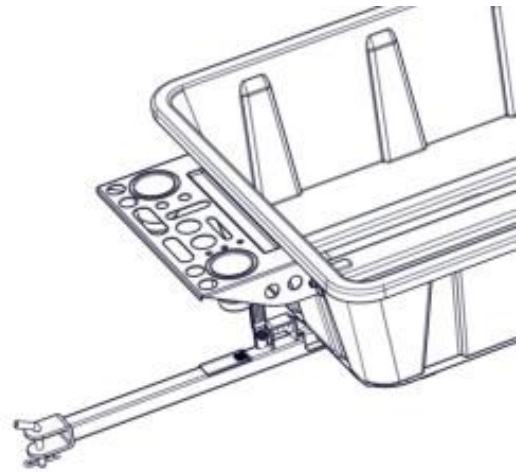
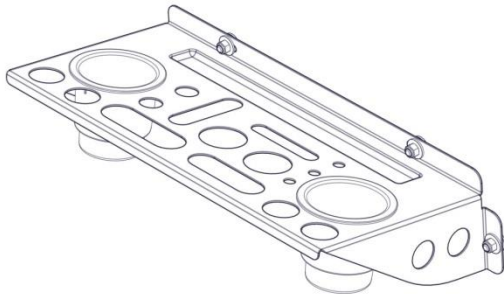


VISIT OUR WEB-SITE FOR ADDITIONAL ACCESSORIES THAT MAY BE AVAILABLE FOR YOUR TRAILER

IMPLEMENT HOLDER



TOOL AND CUP HOLDER



SIDE RAIL KITS

