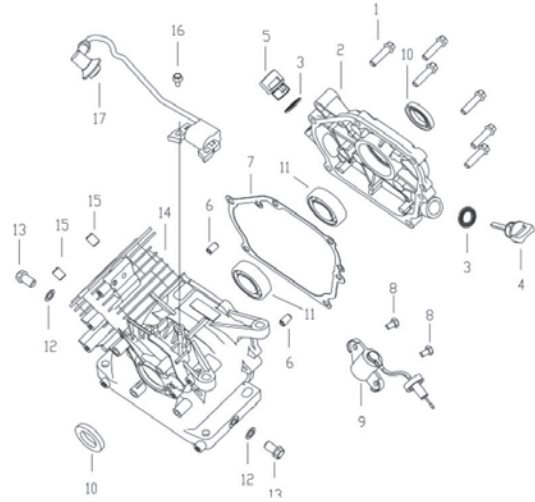


PARTS DIAGRAM

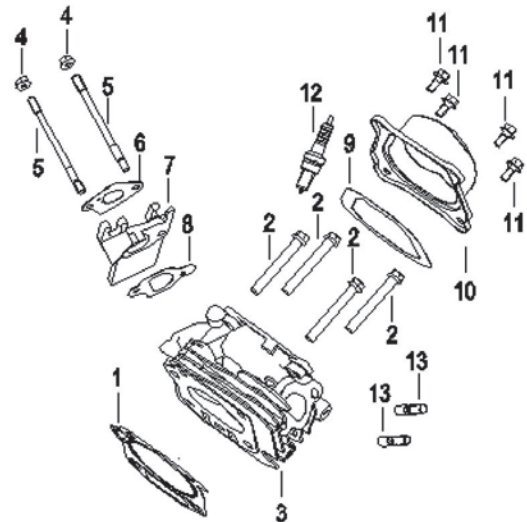
CRANKCASE ASSEMBLY

NO.	PART NO.	DESCRIPTION	QTY
1	B0133080306B	Bolt M8x30	6
2	31010121001000	Cover, Crankcase	1
3	31050112001000	Oil Seal, Dipstick	2
4	31040121001000	Dipstick	1
5	31030121001000	Plug	1
6	31100121001000	Guide Dowel 8x14	2
7	31020121001001	Gasket, Crankcase	1
8	B0133060166B	Bolt M6x16	2
9	21040121001000	Oil level sensor	1
10	21020121001000	Oil Seal 25x 41.25x6	2
11	B12016020553	Bearing 6205/P53	2
12	31070124001001	Washer, Drain Plug	2
13	31060124001000	Drain Plug	2
14	21020123001003	Crankcase Body	1
15	32070132001000	Guide Dowel 10x14	2
16	B0131060206B	Bolt M6x20	1
17	24010423003000	Ignition Coil	1



CYLINDER HEAD

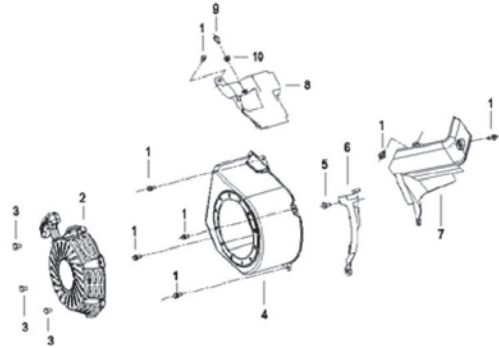
NO.	PART NO.	DESCRIPTION	QTY
1	32011123001000	Gasket, Cylinder Head	1
2	B0133080606B	Bolt, Cylinder Head M8x60	4
3	22020122001002	Cylinder Head Assembly	1
4	B0428060002B	Nut M6	2
5	32060116001000	Double End Stud	2
6	32050121001001	Gasket, Intake 1	1
7	32020121001000	Spacer, Heat Insulating	1
8	32040121001001	Gasket, Intake 2	1
9	32060121001000	Gasket, Cylinder Head Cover	1
10	22040121001003	Cylinder Head Cover	1
11	B0131060146B	Bolt M6x14	4
12	22070121001000	Spark Plug	1
13	32070121001000	Double End Stud	2



PARTS DIAGRAM

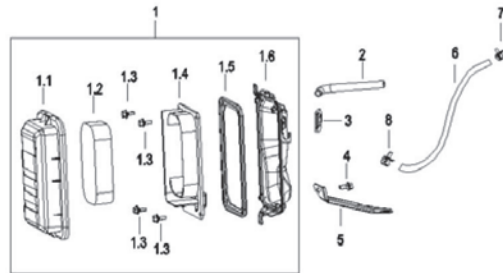
PLATE VENTILATION HOOD COMPONENTS

NO.	PART NO.	DESCRIPTION	QTY
1	B0131060106B	Bolt M6x10	7
2	26020121001091	Starter Assembly	1
3	B0131060086B	Bolt M6x8	3
4	26010123041000	Engine Side Cover Assy.	1
5	B0131060206B	Bolt M6x20	1
6	26020123041000	Shield 1	1
7	36180121001000	Shield 2	1
8	36010123041000	Shoud Assy. (UPPER)	1
9	B0133060306B	Bolt M6x30	1
10	B0428060002B	Nut M6	1



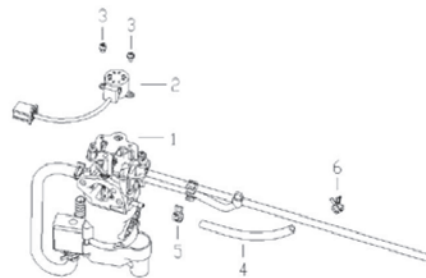
AIR CLEANER

NO.	PART NO.	DESCRIPTION	QTY
1	27020121002002	Air Filter Assembly	1
2	37090121002000	Breather Tube	1
3	27080121001000	Spacer	1
4	B0131060106B	Bolt M6x12	1
5	37100121002000	Air Filter Bracket	1
6	37530121001000	Rubber Pipe 5 x 8	1
7	37060132018000	Clamp 7	1
8	37010117001000	Clamp 10	1



CARBURETOR

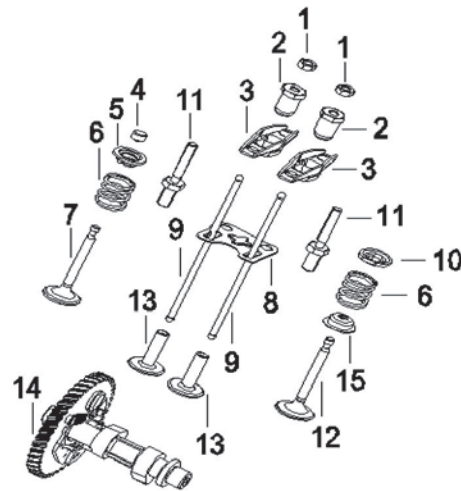
NO.	PART NO.	DESCRIPTION	QTY
1	27010123002004	Carburetor Assembly	1
2	37440119001000	Stepping-motor	1
3	B0221040062B	Screw M4x6	2
4	37520121001001	Rubber Pipe 4.5 x 8.5	1
5	37200121001000	Clamp 8	1
6	38040121002000	Clamp 8.5	1



PARTS DIAGRAM

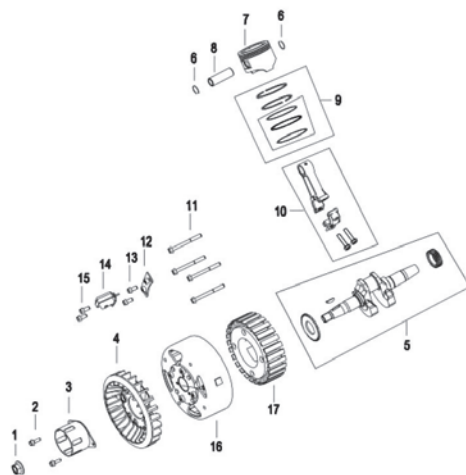
Valve Assembly

NO.	PART NO.	DESCRIPTION	QTY
1	33100124001000	Nut, Valve Clearance Adjustment	2
2	33050127002000	Button head, Arm	2
3	33080121001000	Arm	2
4	33020121001000	Cap, Exhaust Rod	1
5	33090121001000	Upper Retainer, Exhaust Valve Spring	1
6	33060121001000	Spring, Valve	2
7	33040121001002	Valve, Exhaust	1
8	23060121001000	Guide Plate, Connecting Stud	1
9	23040121001000	Rod, Connecting	2
10	33070121001000	Upper Retainer, Intake Valve Spring	1
11	33020127002000	Adjusting Stud, Valve Clearance	2
12	33050121001002	Valve, Intake	1
13	33010122001000	Stud, Connecting	2
14	23020122001002	Camshaft	1
15	23020132001000	Oil Seal	1

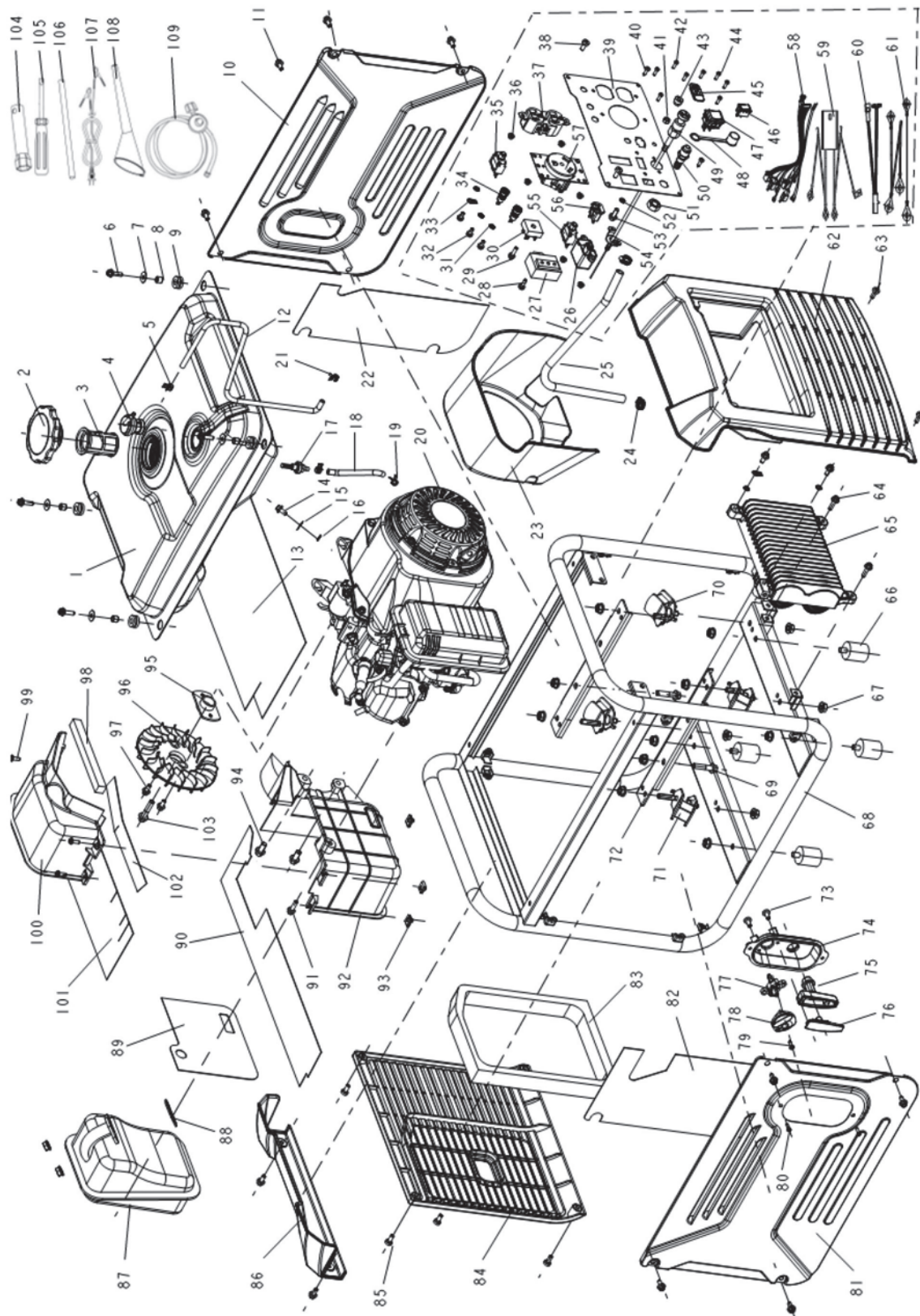


CRANKSHAFT ASSEMBLY

NO.	PART NO.	DESCRIPTION	QTY
1	B0429141505B	Nut, Clamp	1
2	B0131060146B	Start-Up Ratchet Gear	2
3	26030123041000	Fan Wheel	1
4	34020123041000	Fly Wheel	1
5	24020123002000	Crankshaft	1
6	34070121001000	Circlip , Piston Pin	2
7	34010123001001	Piston	1
8	34060121001000	Pin, Piston	1
9	24020123001001	Piston Ring Assembly	1
10	24040121001000	Connecting Rod Assembly	1
11	B0131060606B	Bolt M6x60	4
12	28010123041000	Support	1
13	B0133060166B	Bolt M6x16	2
14	24020423003000	Generator, Pulse	1
15	B0131050126B	Bolt M5x12	2
16	20020423003000	Rotator	1
17	20010423003000	Stator Assy.	1



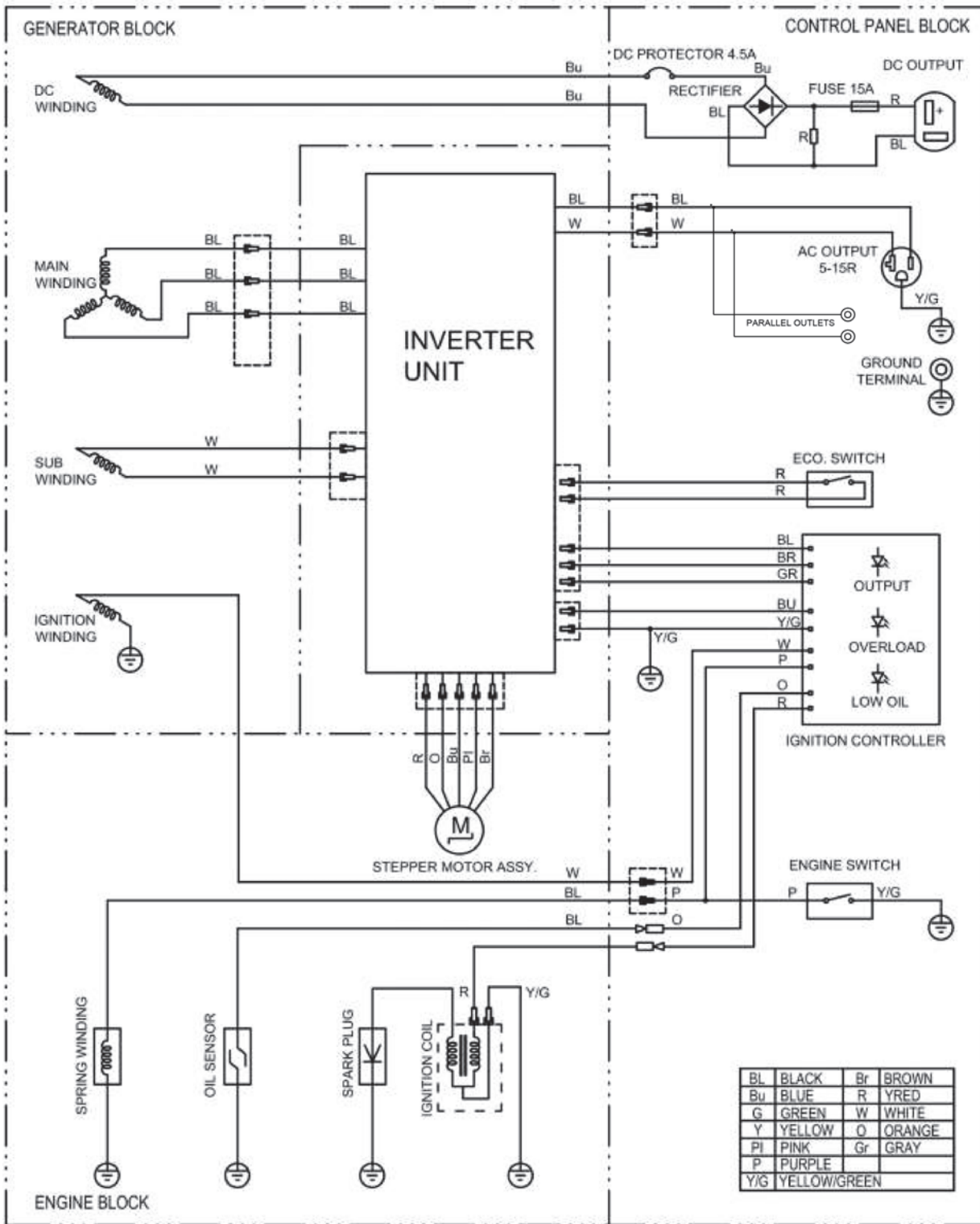
PARTS DIAGRAM



PARTS LIST

NO.	PART NO.	DESCRIPTION	QTY	NO.	PART NO.	DESCRIPTION	QTY
1	21010423003750	Fuel Tank Comp	1	56	22060411500000	T-Socket	1
2	21050412600000	Sump Cover Subassembly	1	57	22030414502002	RV Socket	1
3	31040412600001	Filtering Net	1	58	22020423003000	Control Cable	1
4	21010412900001	Oil Spill Valve	1	59	22040423003000	Output Cable	1
5	37060132018000	Fuel Pipe Clip ϕ 7	1	60	22050423003000	DC Output Cable	1
6	B01310602067	Bolt M6*20	4	61	22060423003000	Ground Cable	1
7	B07020006047	Washer ϕ 6	4	62	32010423003000	Bottom Shell	1
8	31020412600010	Fuel Tank Rubber Hose	4	63	B02210601427	Screw M6*14	2
9	31010412600000	Fuel Tank Rubber	4	64	B01310602066	Bolt M6*20	2
10	36030423003750	Right Decorative	1	65	22060423001000	Inverter Unit	1
11	B01310601067	Bolt M6*10	10	66	36040416500000	Damping Pad	4
12	37530121001000	Hose ϕ 5* ϕ 8*580	1	67	B04280800046	Nut M8	16
13	31010423003000	Fuel Tank Protecror	1	68	26010423003120	Frame Welding Components	1
14	B01310601066	Bolt M6*10	3	69	B01310803566	Bolt M8*35	2
15	30090422001000	Ground Connecting Symbol ϕ 6	2	70	26020423003000	Shockproof Mounting Feet	2
16	B07180006056	Lock Washer Φ 6	3	71	26020412300000	Right Shockproof Mounting Feet	2
17	27180121001000	Fuel Lid Assembly	1	72	36010423003120	Engine Mounting Plate	2
18	37520121001001	Fuel Hose ϕ 4.5* ϕ 8.5*180	1	73	B02210601026	Screw M6*10	2
19	37200121001000	Fuel Pipe Clip ϕ 8	3	74	24040423003120	Recoil Handle Ornament Comp.	1
20	101230410001000	Engine	1	75	31710422401800	Pull Start Handle	1
21	37010117001000	Fuel Pipe Clip ϕ 10	1	76	31720422401120	Pull Start Handle Cover	1
22	36080423003000	Aluminium-foil Paper II	1	77	21020411503000	Fuel Cock	1
23	33010423003000	Inlet Hood	1	78	34220422003800	Fuel Switch Handle	1
24	3X230457501000	Stainless Clamp	2	79	30040422001670	Screw(Black)	1
25	3X220457501000	Fuel Gas Hose 3/8*400	1	80	B02210401227	Screw M4*12	2
26	25040422003001	USB Socket	1	81	36020423003750	Left Decorative	1
27	22030423003000	Ignition Set	1	82	36070423003000	Aluminium-foil Paper I	1
28	B13080501227	Screw M5*12	1	83	36090423003000	Insulating Foam, Rear Cover	1
29	B01310501726	Bolt M5*17	1	84	36060423003000	Rear Cover(Black)	1
30	33040412300000	Rectifier KB2506	1	85	B02210601627	Screw M6*16	4
31	B07180005056	Lock Washer Φ 5	3	86	36040423003000	Fuel Tank Decoration Cover	1
32	B13080500827	Screw M5*8	3	87	25010423003000	Muffler	1
33	32060421202000	Ground Connecting Symbol ϕ 5	1	88	35020412300000	Muffler Gasket	1
34	22180421202000	Parallel Connection Socket	2	89	35050423003000	Muffler Wind Scooper Protector I	1
35	B28421200010	AC Protector 20A	1	90	35060423003000	Muffler Wind Scooper Protector II	1
36	B04280400047	Nut M4	6	91	B01310601666	Bolt M6*16	1
37	22070413200000	Standard Outlet	1	92	35020423003000	Muffler Wind Scooper I	1
38	B02210601627	Screw M6*16	2	93	30220421202000	Reed Nut M5	3
39	22010423003120	Panel	1	94	B01310801666	Bolt M8*16	2
40	B05210401207	Screw ST4*12	2	95	23010423003000	Fan Fixed Seat	1
41	B04010600048	Nut M6	1	96	33020423003000	Fan	1
42	B02210401227	Screw M4*12	6	97	B01310601666	Bolt M6*16	2
43	31780422401020	Ground Nut	1	98	35090423003000	Insulating Foam, Muffler	1
44	B13080400827	Screw M4*8	2	99	B13080501627	Screw M5*16	3
45	35270422003002	USB Rubber Holder	1	100	35030423003000	Muffler Wind Scooper II	1
46	22030410900000	Ignition Switch(Black)	1	101	35070423003000	Muffler Wind Scooper Protector III	1
47	22020411200000	Ignition Switch	1	102	35080423003000	Muffler Wind Scooper Protector IV	1
48	3X210457501000	Gas Inlet Cap	1	103	B01310802066	Bolt M8*20	1
49	22080422003000	Choke Lever	1	104	38160410900000	Pilot Spanner	1
50	3X190457501000	Gas Inlet Connector	1	105	38150410900000	Screwdriver	1
51	3X200457501000	Nut G1/4	1	106	38060411500020	Bar, Plug Wrench	1
52	B07180006056	Lock Washer Φ 6	1	107	20210042100001	T-type Plug Wire	1
53	B01310601628	Bolt M6*16	1	108	38120411501000	Funnel	1
54	32150422003800	Choke Lever Mounting Plate	1	109	24020457500000	Low Pressure Regulator	1
55	B28421080010	DC Protector 8A	1				

WIRING DIAGRAM



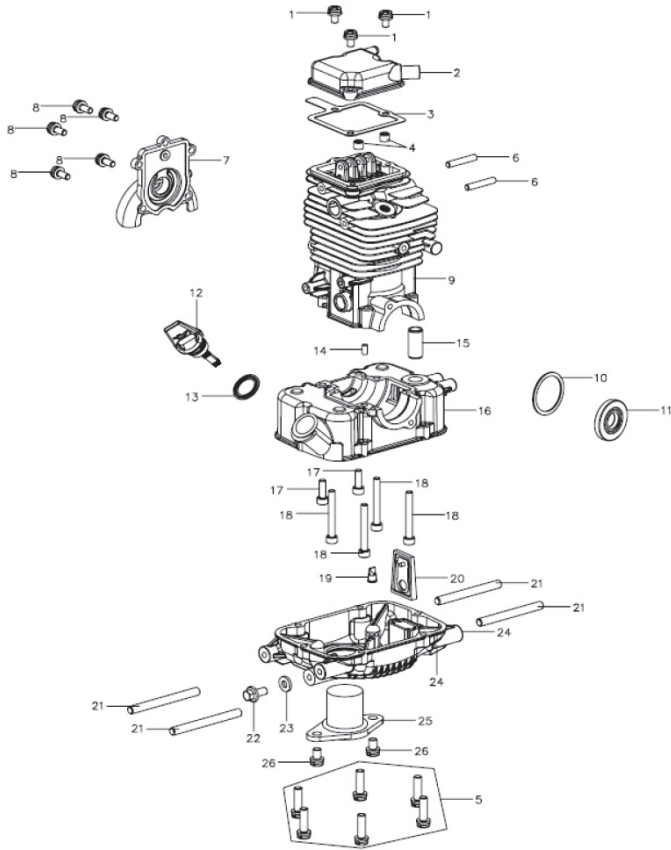


FIG.A CRANKCASE ASSY

No.	Part No.	Description	Qty
1	00252000502011	Screw M5×20	3
2	14760100001001	Cylinder Head Cover	1
3	14760100002011	Cylinder Head Cover Seal	1
4	14760101001001	Valve Oil Seal	2
5	00252000502511	Dual-Head Bolts M5×70	6
6	14760100005041	Dual-Head Bolts M5×28	2
7	14760100003001	Cam Chamber Cover	1
8	00252000501411	Screw M5×14	5
9	14810101000101	Upper Crankcase	1
10	14770100004041	Washer 30×37×1	1
11	14760100007102	Oil Seal 15×35×5	1
12	14760102101003	Oil Gauge	1
13	14760102102101	Oil Gauge Gasket	1
14	00510000400801	Dowel Pin 4×8	1
15	14760102003001	Ventilation Nozzle	1
16	14760102001001	Lower Crankcase	1
17	00204000501641	Screw M5×16	2
18	00204000504041	Screw M5×40	4
19	14760102002101	Rubber One-Way Valve	1
20	14760501000001	One-Way Valve Components	1
21	14760103003011	Dual-Head Bolts M6×36	4
22	00031000601212	Hexagon Flange Bolt M6×12	1
23	14760103002031	Aluminium Gasket 6×13×2	1
24	14760103001001	Oil Pan	1
25	14620103100002	Oil Level Sensor	1
26	00252000601811	Screw M6×18	2

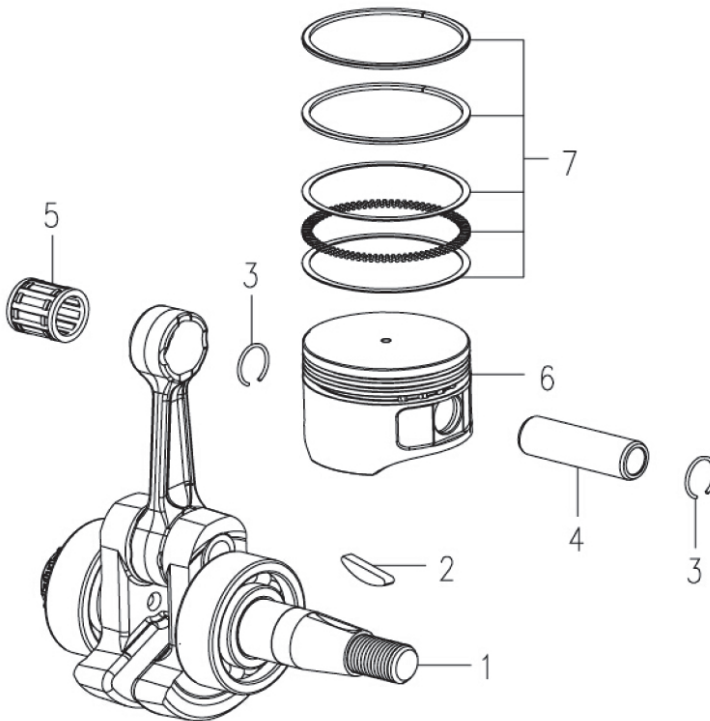


FIG B. CRANKSHAFT PISTON

No.	Part No.	Description	Qty
1	14760302000001	Connecting Rod	1
2	11310300010001	Woodruff Key	1
3	14760300001002	Piston Pin Clip	2
4	14760300002002	Piston Pin	1
5	00833710141402	Needle Bearing K101414	1
6	14810301001001	Piston	1
7	14780301006001	Piston Ring	1

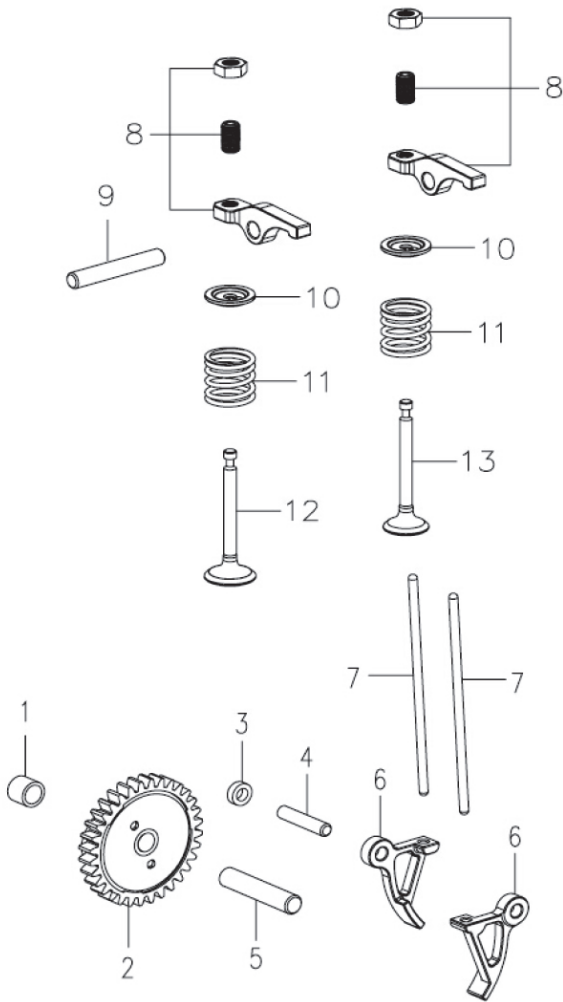


FIG C. CAMSHAFT

No.	Part No.	Description	Qty
1	14760100006001	Dowel Bush	1
2	14760401100012	Camshaft	1
	14760401001002	Decompression of the pin	1
	14760401002102	Torsional spring	1
	14760401003002	Cover for cam	1
3	14760400010041	Rocker Gasket	1
4	00504000402003	Pin4 g4×20	1
5	00504000603003	Pin4 g6×30	1
6	14760400006002	Lower Rocker	2
7	14760400009002	Tappet	2
8	14760400005002	Upper Rocker	2
9	00504000503203	Pin 5 g6×32	1
10	14760400003002	Valve Spring Seat	2
11	14760400004002	Valve Spring	2
12	14760400001003	Intake Valve	1
13	14760400002003	Exhaust Valve	1

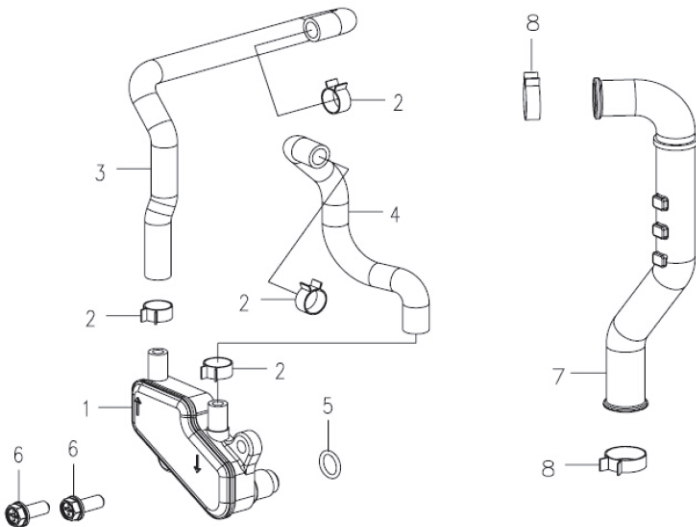


FIG D. LUBRICATION SYSTEM

No.	Part No.	Description	Qty
1	14760502000101	Deaerator	1
2	14760500005001	Pipe Hoop 9	4
3	14610500002001	Respiratory Tube	1
4	14610500003001	Outlet Tube	1
5	14760500004003	O Ring	1
6	00031000501612	Hexagon Flange Bolt M5×16	2
7	14610500001001	Upper Oil Pipe	1
8	11311600006002	Pipe Hoop 13	2

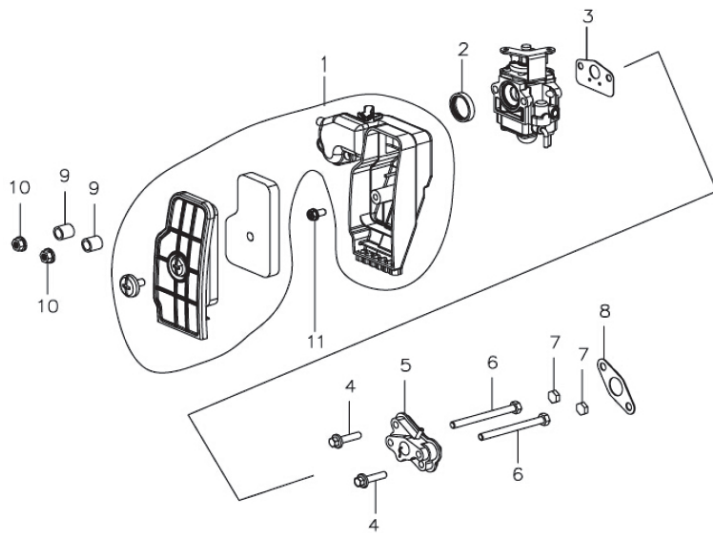


FIG E. AIR CLEANER

No.	Part No.	Description	Qty
1	1476080100002	Air Filter	1
	14760801003002	Foam	1
	14760801007021	big head chrome plated Screw	1
2	14760800004001	Gasket of Air Filter	1
3	14780800003002	Gasket of Carburator	1
4	00033000502211	Hexagon Flange Bolts M5×22	2
5	14810800002001	Insulation Board Components	1
6	00026000505551	Hexagon Flange Bolts M5×55	2
7	14810800003001	Block rubber	2
8	14810800001012	Insulation Board Gasket	1
9	15561100004002	Fan Volute Bush	2
10	00129000500011	Hexagon Flange Bolts M5	2
11	00427014801641	Tap Screw ST4.8×16-F.H	1

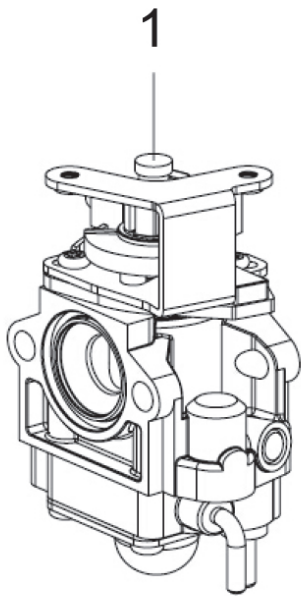


FIG.F CARBURETOR

No.	Part No.	Description	Qty
1	14760901000001	Carburator	1

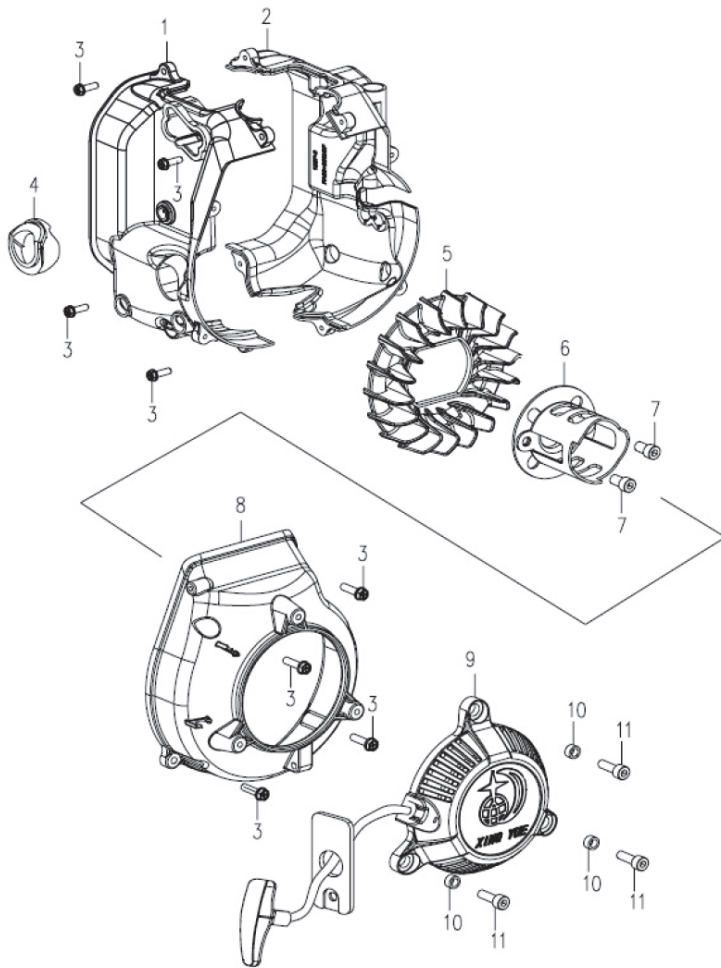


FIG G. RECOIL STARTER

No.	Part No.	Description	Qty
1	14811100001001	Air Guide Sleeve A	1
2	14761100014001	Air Guide Sleeve B	1
3	00427014801641	Tap Screw ST4.8×16	8
4	14611100006002	Oil Filler Hole Airproof Pad	1
5	14761100001002	Cooling Fan	1
6	14760602000001	Starting Hub	1
7	00204000601041	Inner Hexagon Screw M6×10	2
8	14761100002002	Fan Volute	1
9	14760601000002	Recoil Starter	1
	15560602001101	Handle	1
	15560602003001	Fender	1
10	15600600002003	Recoil Starter Bush	3
11	00031000501611	Hexagon Flange Bolts M5×16	3

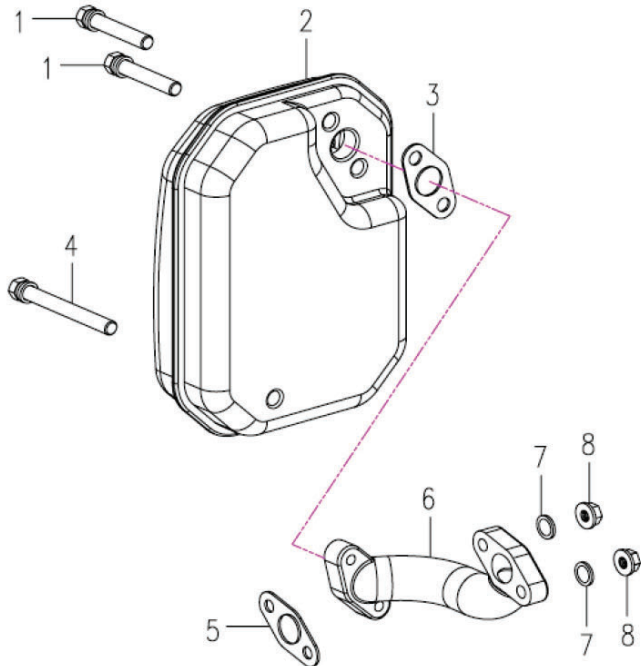


FIG H. MUFFLER

No.	Part No.	Description	Qty
1	00722000603511	Bolt M6×35	2
2	14760701000001	Muffler	1
3	14760700001011	Muffler Pipe Gasket	1
4	00722000605511	Bolt M6×55	1
5	14760700003011	Muffler Gasket	1
6	14760700002003	Muffler Pipe	1
7	00030000500041	Washer 5	2
8	00101000500011	Hexagon Flange Nut M5	2

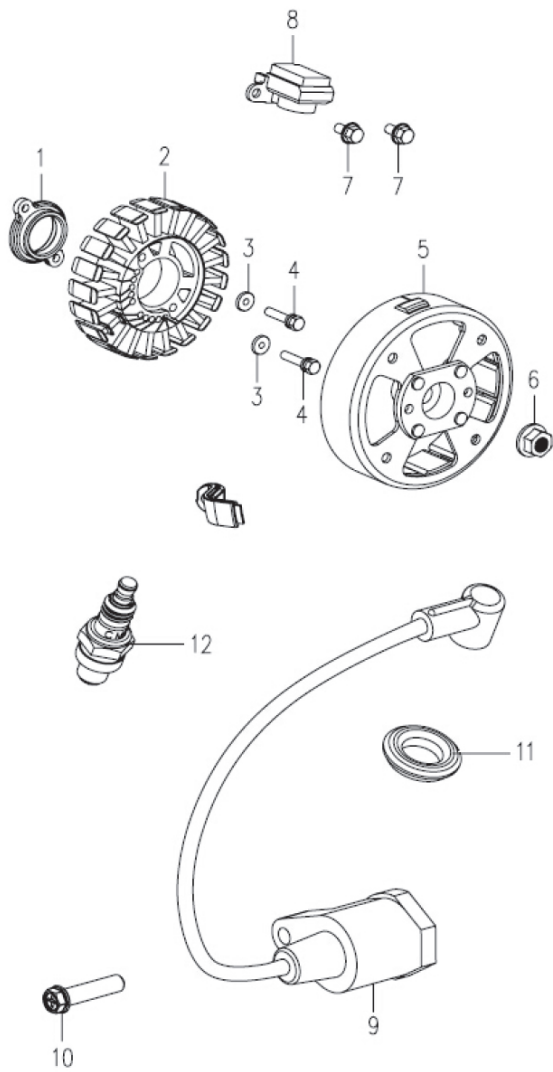


FIG I. GENERATOR

No.	Part No.	Description	Qty
1	14761000001001	Locating Plate	1
2	14761001101101	Stator 0.8KW 230V 580Hz	1
	14761000002002	Bushing	1
3	00030000500041	Washer 5	1
4	00033000502211	Hexagon Flange Bolts M5×35	2
5	14761001200101	Rotor	1
6	00129001000032	Hexagon Flange Nut M10×1.25	1
7	00033000501001	Hexagon Flange Bolts M5×10	2
8	14761000004002	Trigger	1
9	14761003000101	Ignition Coil	1
10	00241004802541	Tap Screw ST4.8×25-F.H	1
11	14761000003001	Ignition Coil Cap Seal	1
12	14761002000001	Spark Plug CMR6A	1

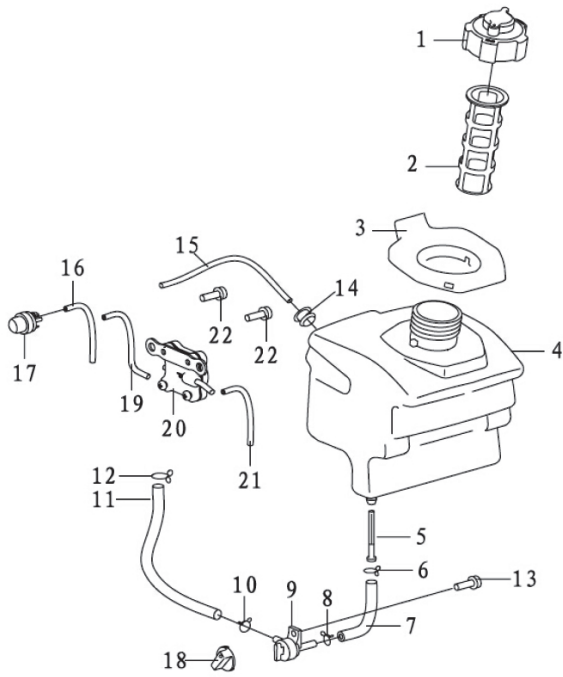
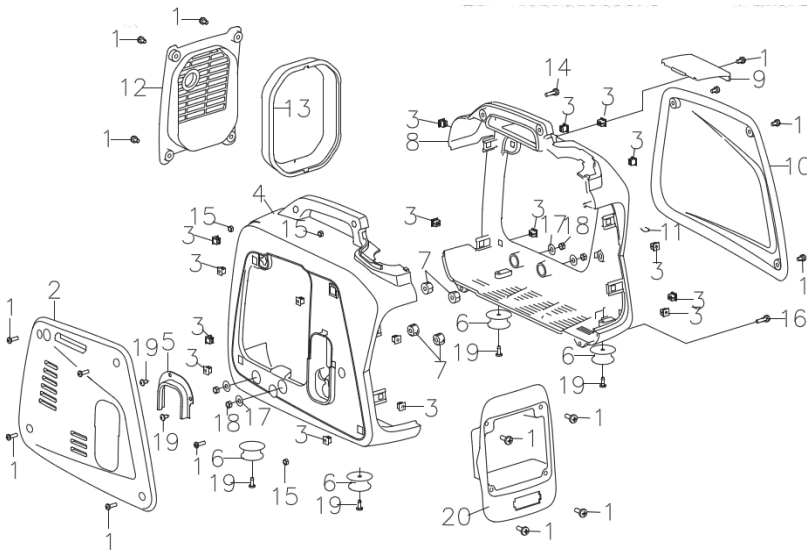


FIG J. FUEL TANK(EPA)

No.	Part No.	Description	Qty
1	462405010000	Fuel Tank Cap Assy.	1
2	462405020000	Fuel Tank Filter	1
3	460703000080	Fuel Tank Port Rubber	1
4	460705010011	Fuel Tank (EPA)	1
5	462405030000	Fuel Outlet Filter	1
6	480202020110	Steel Wire Clamp ϕ 11	1
7	460705000011	Fuel Hose(EPA)	1
8	480202020100	Steel Wire Clamp ϕ 10	1
9	460705020000	Fuel Cock	1
10	480202010090	Steel Wire Clamp ϕ 9	1
11	460705000021	Fuel Hose 4.5 \times 7.5 \times 180(EPA)	1
12	480202010080	Steel Wire Clamp ϕ 8	1
13	004210148013	Tap Screw GB/T845 ST4.8 \times 13-F	1
14	460705010020	Fuel-hole Plug	1
15	480201250511	Fuel Hose 2.5 \times 5 \times 120(EPA)	1
16	480201250511	Fuel Hose 2.5 \times 5 \times 80(EPA)	1
17	460705040000	Fuel Lubricator	1
18	460705010040	Fuel Cock Knob	1
19	480201250511	Fuel Hose 2.5 \times 5 \times 95(EPA)	1
20	460705050000	negative pressure pump	1
21	480201250511	Fuel Hose 2.5 \times 5 \times 110(EPA)	1
22	004210348095	Tap Screw GB/T845 ST4.8 \times 9.5-F	2

FIG K. SHELL

No.	Part No.	Description	Qty
1	004210148013	Screw 4.8 \times 13-F	18
2	460703000050	Right Side Cover	1
3	460703000110	Fastener	17
4	460703000040	Right Cover of Shell	1
5	460703000061	Edge Protection	1
6	460703000140	Vibration Absorber	4
7	460703000120	Rubber Pad ϕ 6 \times ϕ 16 \times 10	4
8	460703000010	Left Cover of Shell	1
9	460703000030	Upper Cover	1
10	460703000020	Left Side Cover	1
11	461503000080	Clamp	1
12	460703000090	Muffler Cover	1
13	460703000100	Muffler Cover Seal	1
14	007090005018	Screw GB/T9074.4 M5 \times 18	2
15	001200005001	Hexagon Nut M5	4
16	002260005016	Cross Pan Head Screw M5 \times 16	2
17	460703000130	Rubber Pad ϕ 6.5 \times ϕ 16 \times 2	4
18	001410006001	Lock Nut GB/T6187 M6	4
19	004210348095	Tap Screw GB/T845 ST4.8 \times 9.5-F	6
20	460703000070	Panel Box	1



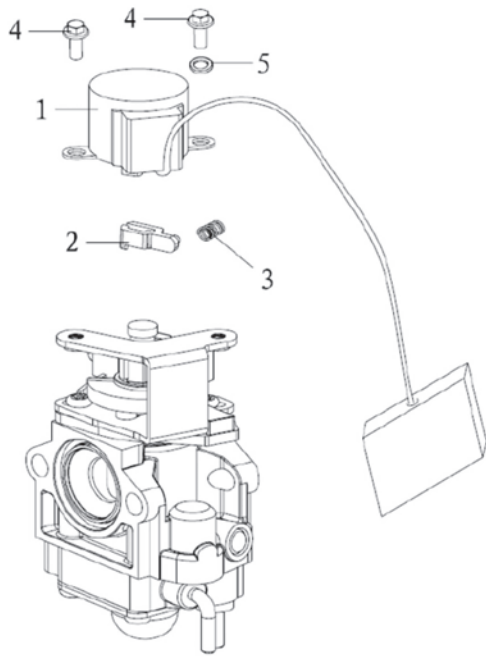


FIG L. GOVERNOR

No.	Part No.	Description	Qty
1	460720020000	Stepper Motor	1
2	155609000020	Drive Arm	1
3	155609000010	Drive Arm Spring	1
4	007080004006	Screw M4×6	2
5	003000004001	Spring Washer 4	1

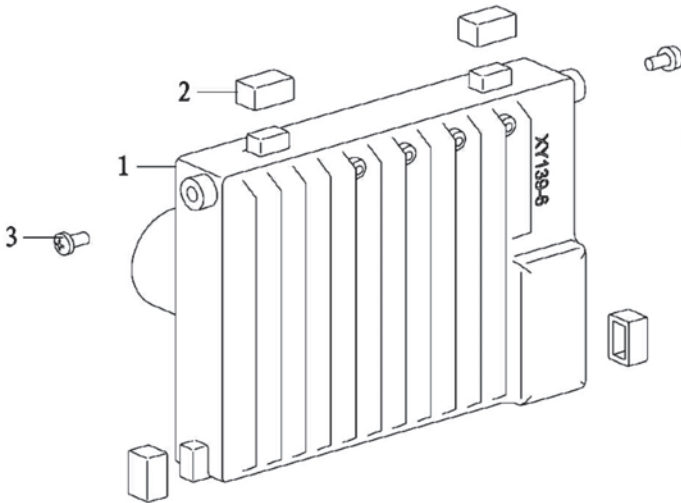


FIG M. INVERTER

No.	Part No.	Description	Qty
1	460719010000	Inverter 0.8Kw 120V~60Hz	1
	460719010000	Inverter 0.8Kw 100V~50/60Hz	1
2	460719000010	Inverter Gasket	4
3	007090005012	Screw GB/T9074.4 M5×12	2

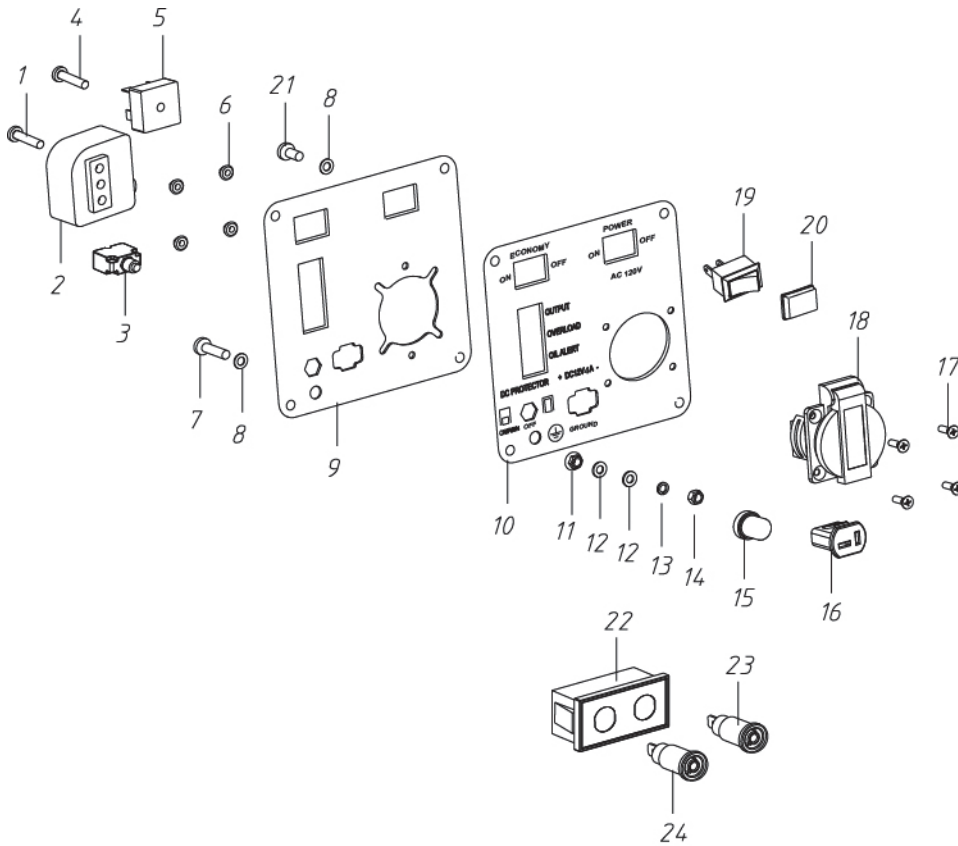


FIG N. CONTROL PANEL (FOR USA)

No.	Part No.	Description	Qty
1	007090005016	Cross Pan Head Screw M5×16	1
2	462417016000	Ignition Control Module	1
3	480107881450	Overload Protector 4.5A	1
4	007080005016	Cross Pan Head Screw M5×16	1
5	480110350200	Rectifier KBPC3502	1
6	001280004001	Hexagon Flange Nut M4	4
7	000330005016	Flange Bolt GB/16674 M5×16	1
8	003210005001	Lock Gasket GB862.2 φ5	3
9	460717011000	Panel Components	1
10	460788000030	Panel Sticker	1
11	001280005001	Flange Nut GB/T6177 M5	1
12	003020005001	Flat Washer GB/T97 φ5	2
13	003000005001	Spring Washer GB/T93 φ5	1
14	001200005001	Hexagon Nut GB/T6170 M5	1
15	480107000020	Water-Proof Cap of Protector	1
16	480101090030	DC Charging Socket	1
17	002210004012	Countersunk Head Screw M4×12	4
18	480101020040	American Socket 5-15R	1
19	480105010010	Boat Switch	2
20	480105090010	Water-Proof Cap of Boat Switch	2
21	007090005008	Screw M5×8	2
22	460703000170	Parallel Output Box	1
23	480101100010	Parallel Connection Port (Red)	1
24	480101100020	Parallel Connection Port (Black)	1

EMISSION CONTROL SYSTEM WARRANTY BUFFALO CORPORATION

Your Warranty Rights and Obligations

Item # GEN351KIT30 Invertor Generators