



► **Safety and Care Advice**

- Please check and make sure you have all the parts indicated before you start with the assembly.
- Assembly work should be performed on a soft surface to prevent the finish to be scratched during assembly.
- Easy wipe clean with a dry or slightly damp cloth. Do NOT use chemical products.
- Please make sure there's no sharp objects (e.g. garden tools, knives and etc.) careful when sitting on the furniture for your own safety. Such items might tear down fabrics or pierce through resin weave, causing permanent damages.
- We recommend furniture to be covered or put away when not in use, in order to prolong product life.

► **Consejos de seguridad y cuidado**

- Antes de comenzar a ensamblar este producto, asegúrese de contar con todas las partes necesarias.
- Es conveniente ensamblar este producto sobre una superficie suave para no raspar el acabado.
- Límpielo con un paño seco o ligeramente húmedo. No utilice productos químicos.
- Debe tenerse cuidado al sentarse sobre el mueble con algún objeto cortante (herramientas de jardinería y cuchillos) en sus bolsillos, ya que pueden desgarrar las telas y penetrar el tejido de resina, lo que lo dañará irreparablemente
- Recomendamos guardar los muebles cuando no estén en uso para prolongar su vida útil

ASSEMBLY INSTRUCTIONS

Thank you for purchasing this product. Please check and make sure you have all the parts available before you start with the assembly.

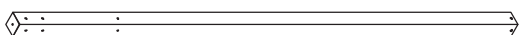
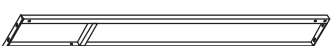














Note: Straight Allen Key (V) is used with electrical drill.

Tools needed: double side ladder. Please use double side ladder instead of single straight ladder.



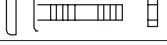
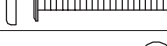
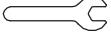


Caution: Small parts-Choking Hazard- Not for children.

When assembling, Do NOT lean the ladder against the poles for support in case of falling.

PARTS LIST

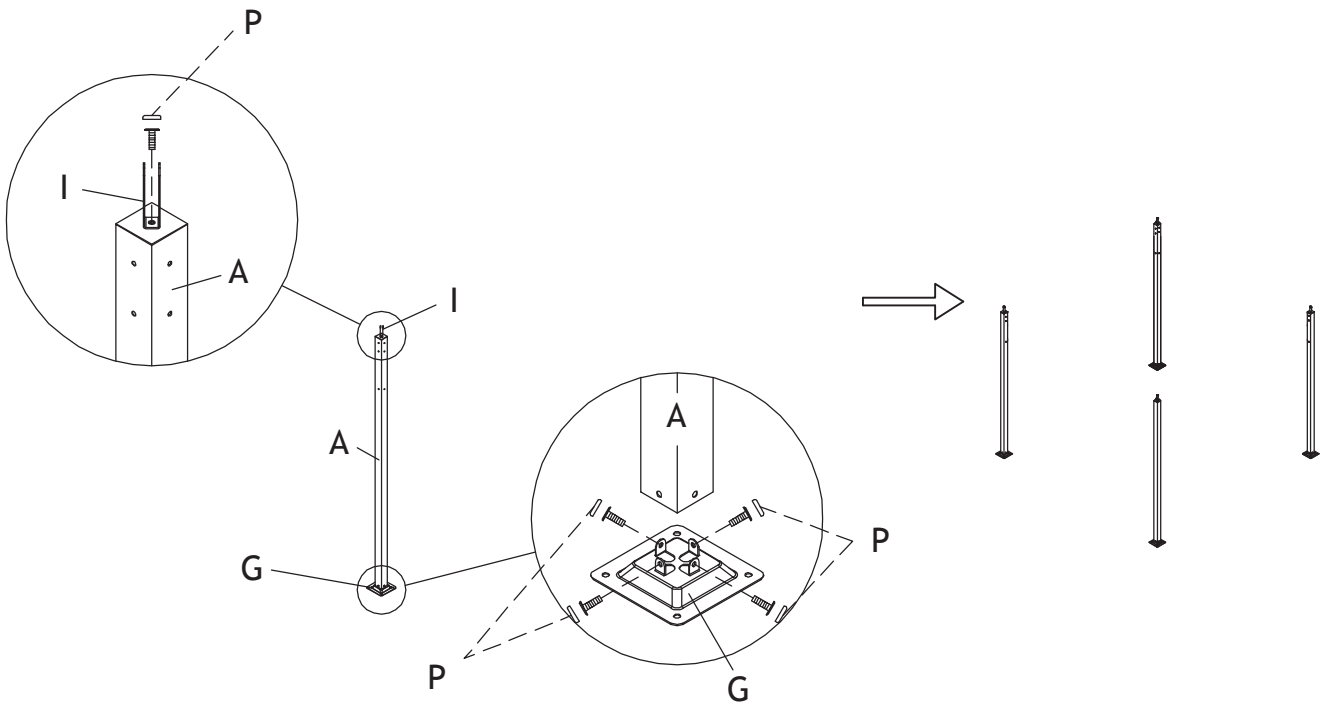
NO.	Description	Sketch	QTY
A	Post		4 PCS
B	Side Frame		8 PCS
C	Long Top Frame Beam		4 PCS
D	Small Corner Beam		4 PCS
E	Middle Top Beam		4 PCS
F	Mesh Pipe		8 PCS
G	Base		4 PCS
H	Top Connector		1 PC
I	Corner Connector		4 PCS
J	Middle Connector		4 PCS
K	Corner Support Bar		8 PCS
L	Plastic Holder		16 PCS
M	Canopy	M1  M2 	1 PC
N	Mesh		4 PCS
O	Peg		8 PCS

HARDWARE LIST

NO.	Description	Sketch	Size	QTY
P	Bolt		M6*15mm	52 Sets
Q	Bolt		M6*15mm	8 Sets
R	Bolt		M6*30mm	16 Sets
S	Bolt		M6*45mm	16 Sets
T	Wrench			1 PC
U	Allen Key			1 PC
V	Straight Allen Key			1 PC

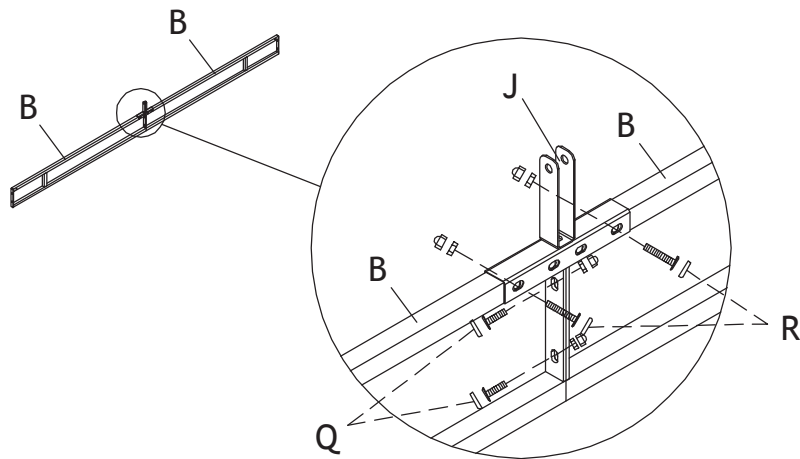
Note: Straight Allen Key (V) is used with electrical drill.



STEP 1



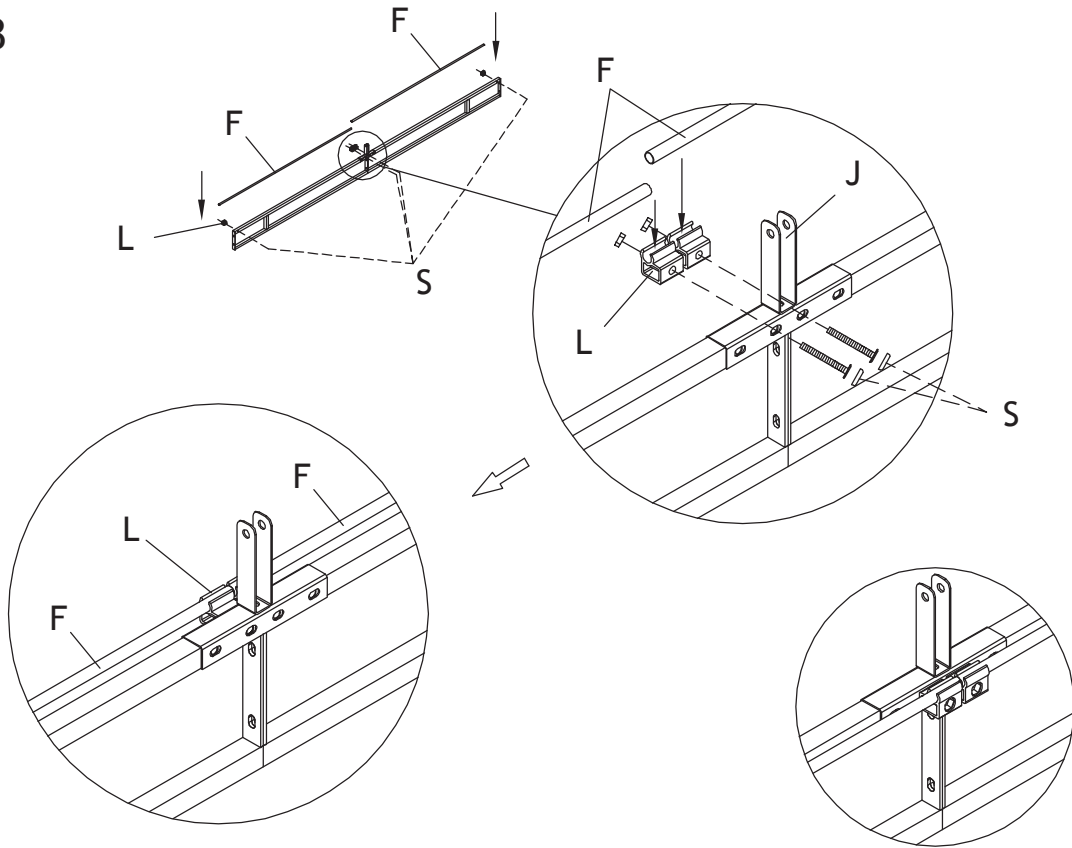
P	Bolt		M6*15mm	20 Sets
---	------	---	---------	---------

STEP 2



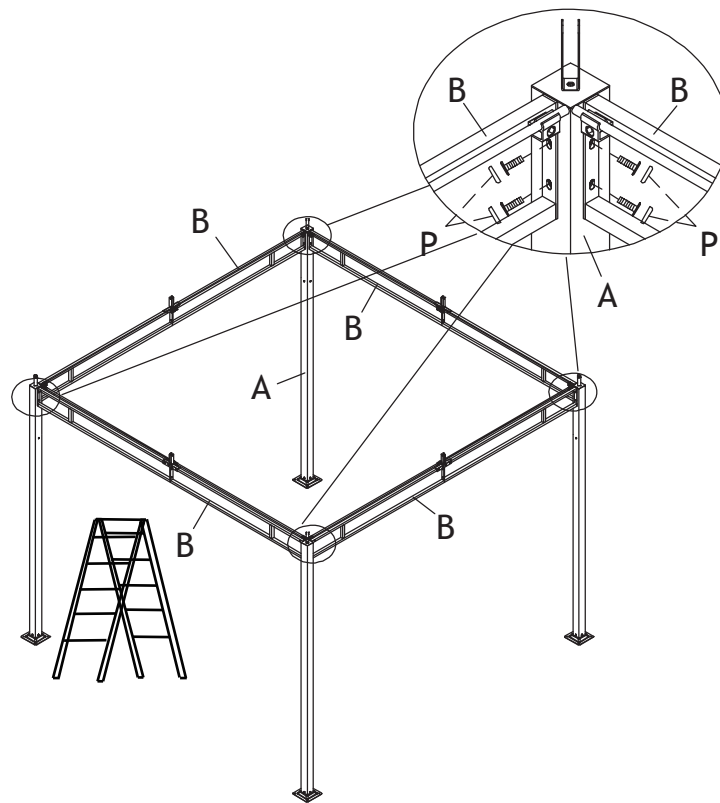
Q	Bolt		M6*15mm	8 Sets
R	Bolt		M6*30mm	8 Sets

STEP 3



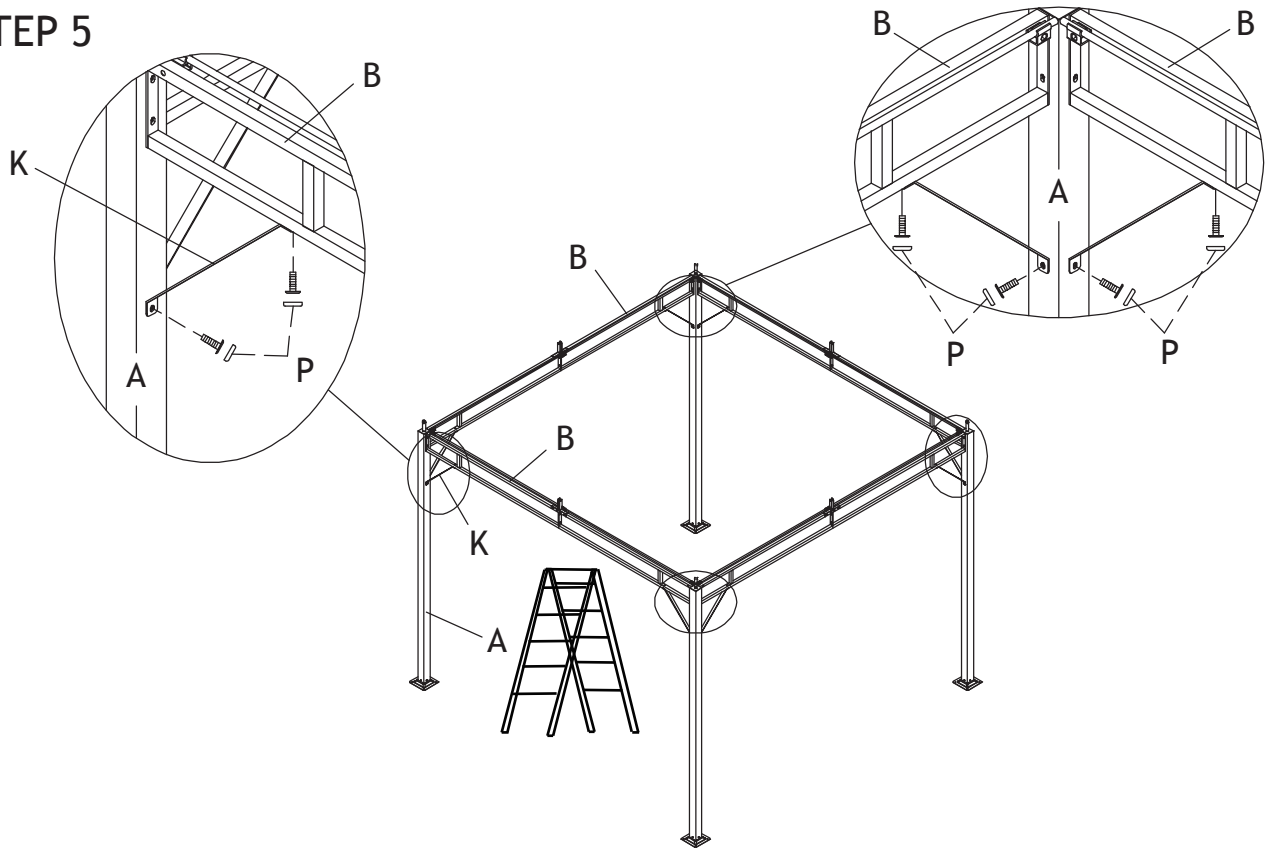
S	Bolt		M6*45mm	16 Sets
---	------	---	---------	---------

STEP 4



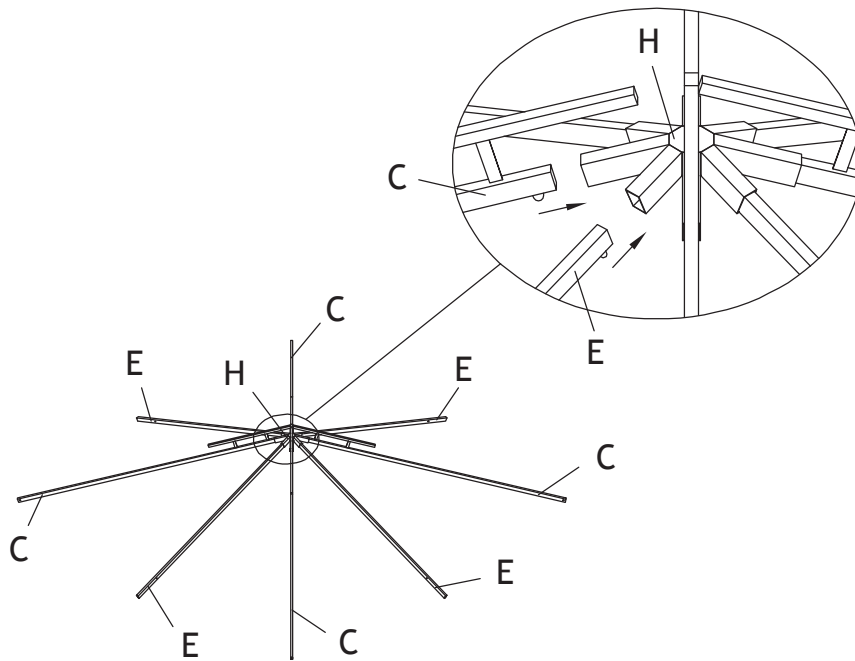
P	Bolt		M6*15mm	16 Sets
---	------	---	---------	---------

STEP 5

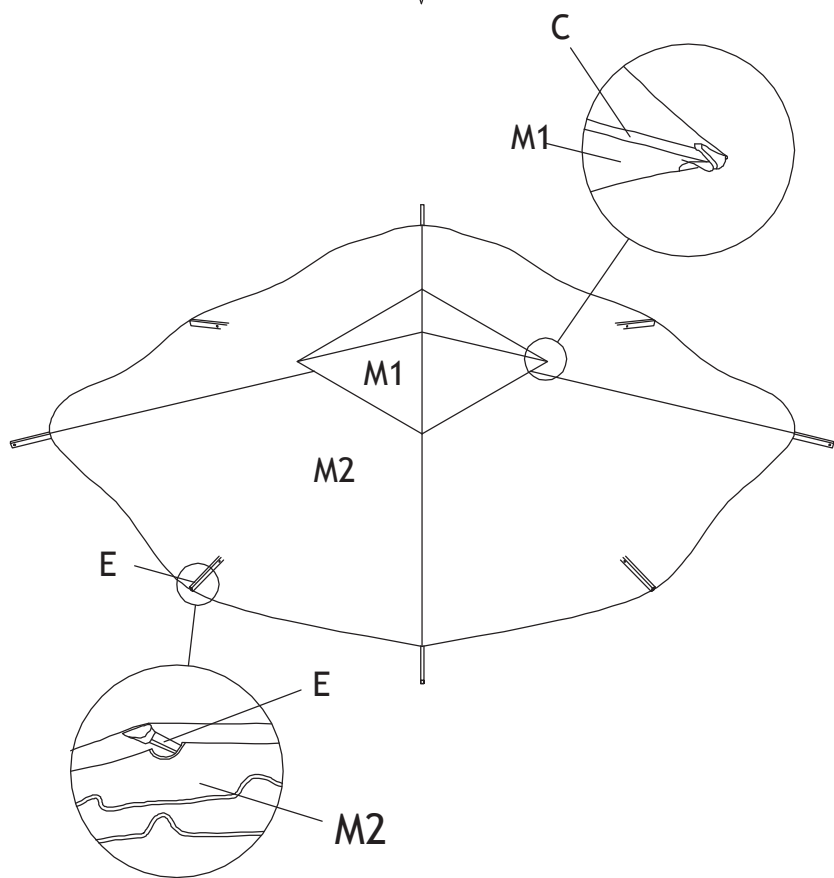
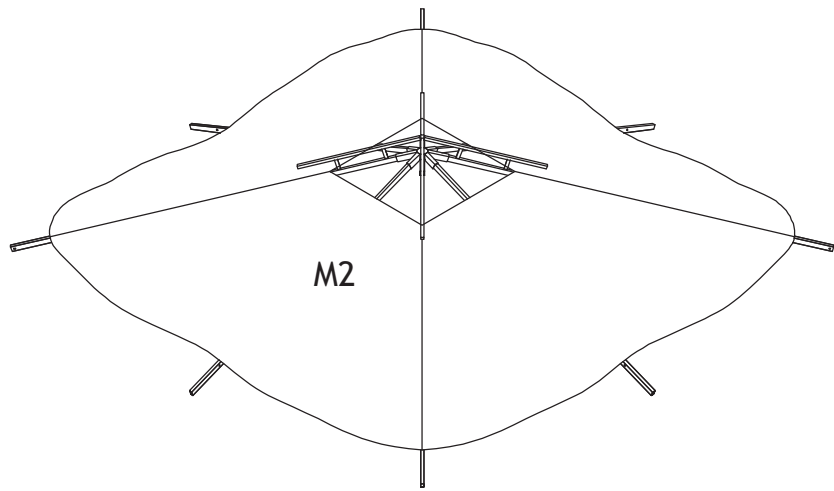


P	Bolt		M6*15mm	16 Sets
---	------	---	---------	---------

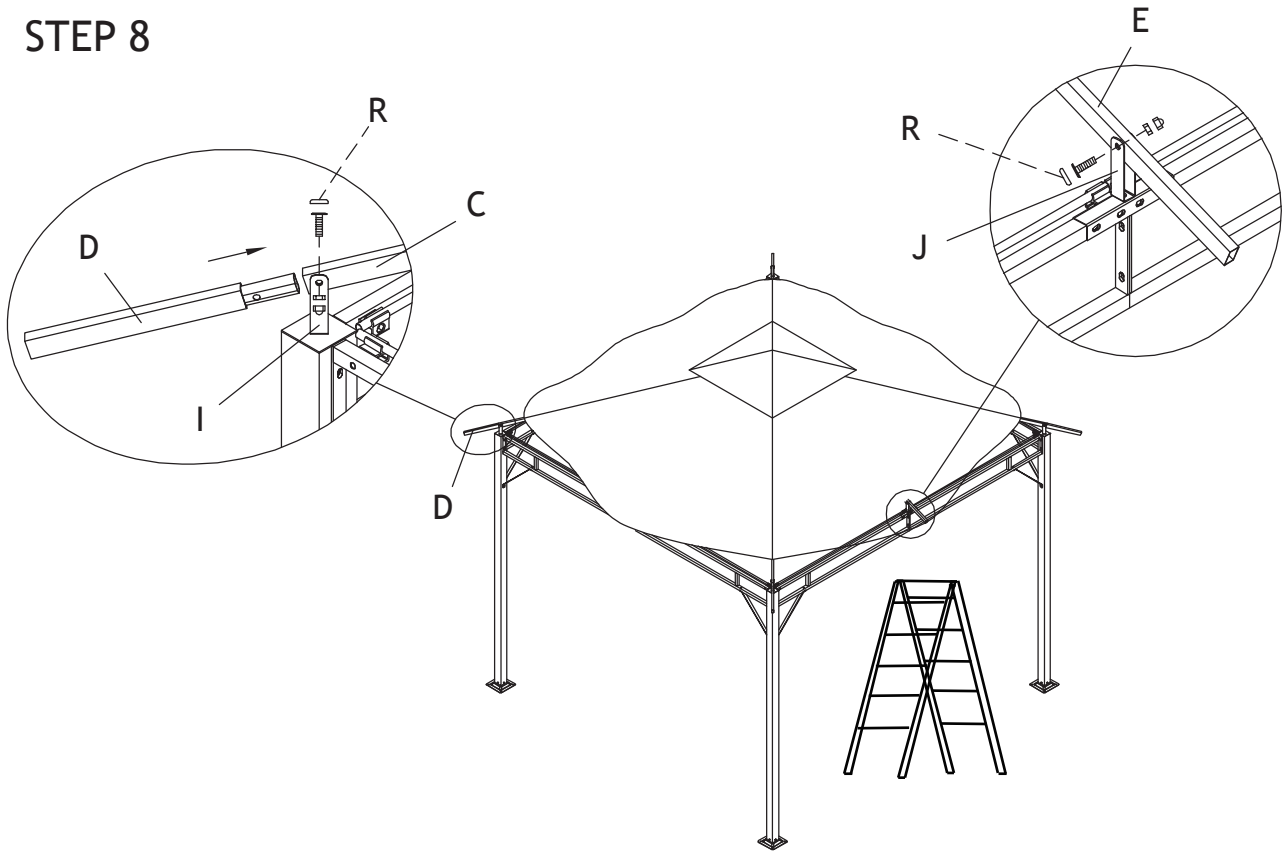
STEP 6



STEP 7

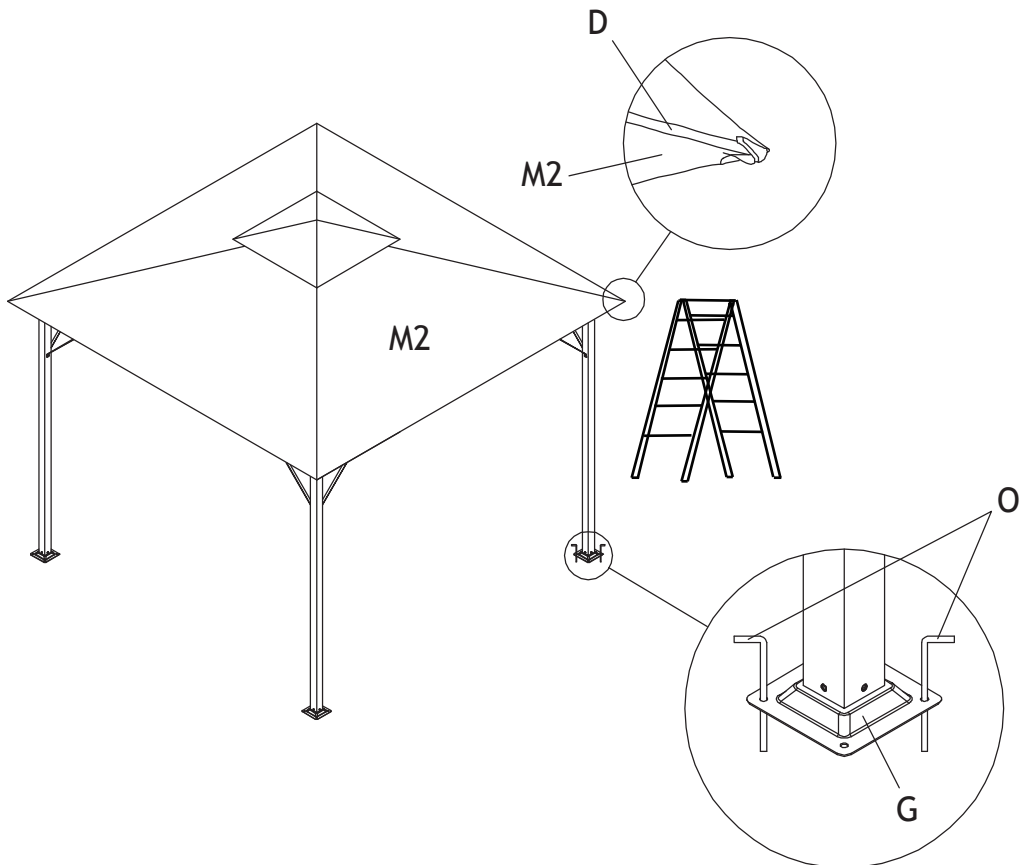


STEP 8

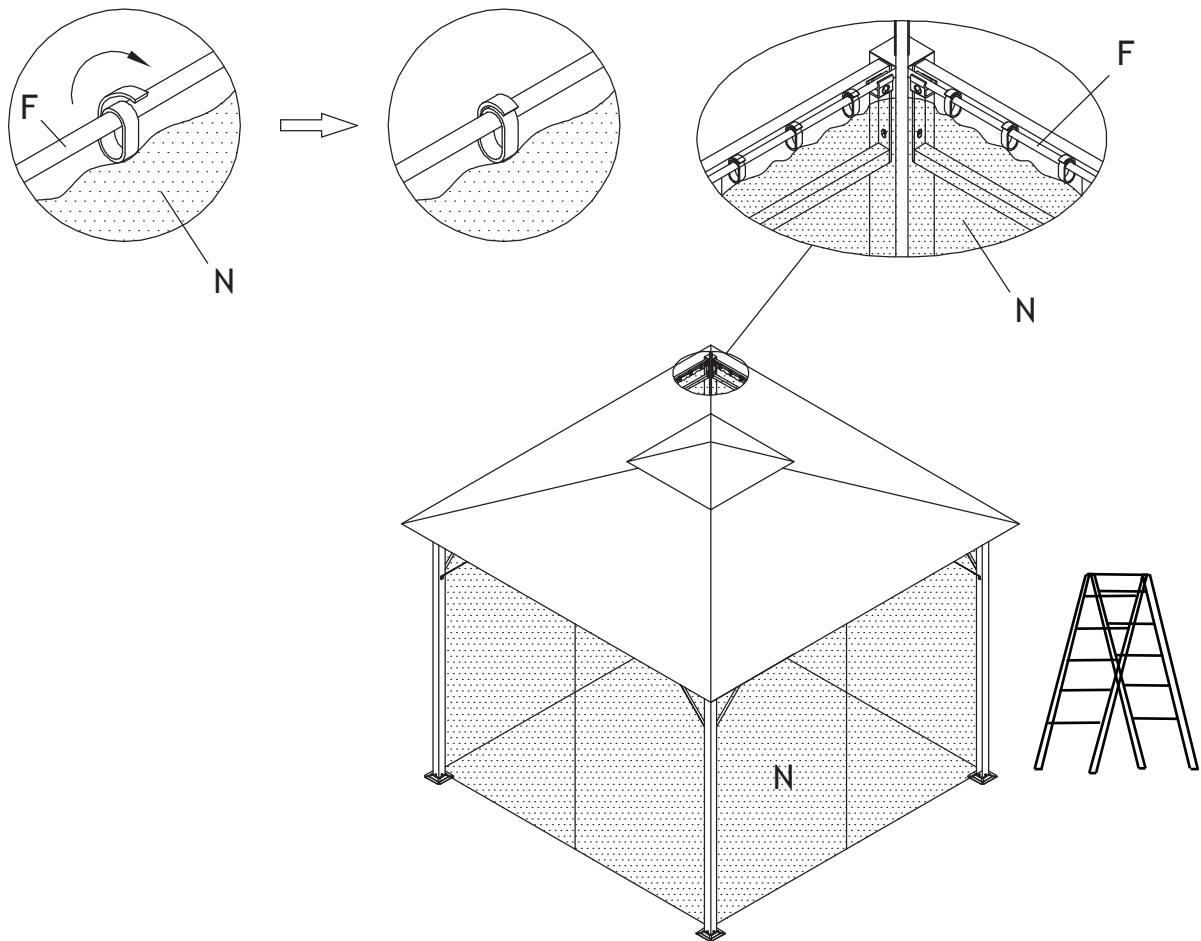


R	Bolt		M6*30mm	8 Sets
---	------	---	---------	--------

STEP 9



STEP 10



Note: This gazebo is meant to be used for decorative and sunshading purposes only and is not meant to withstand any elements of the weather.

Please read these instructions carefully before starting assembly.

- 1). Do not cook underneath gazebo.
- 2). Do not ignite fireworks underneath gazebo.
- 3). Please keep the parts list, it could be useful to reorder some parts for service if necessary.