

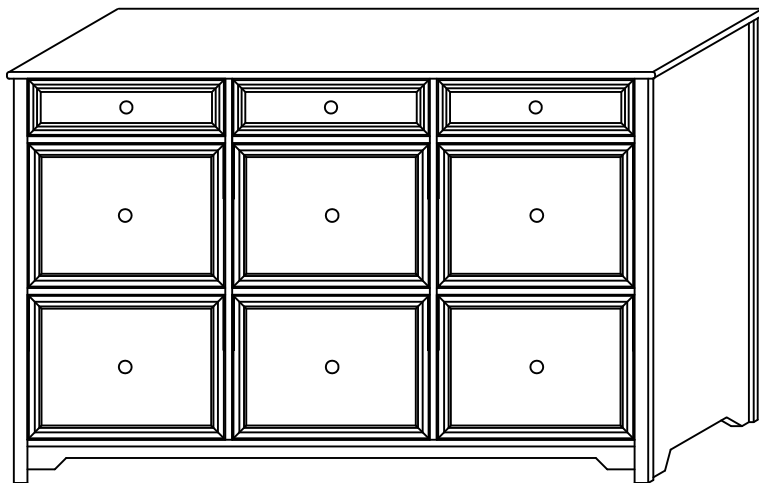
# HOME DECORATORS COLLECTION

BF-23237 OXFORD COLLECTION 3+6 DRAWERS FILE CABINET

INV#55819

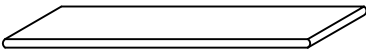
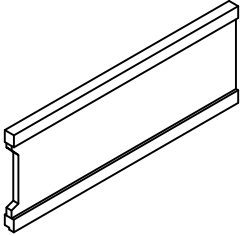
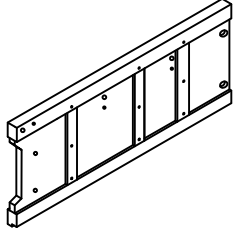
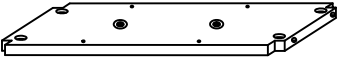
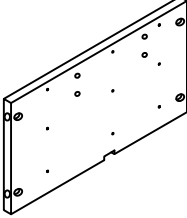
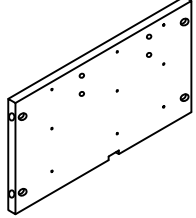
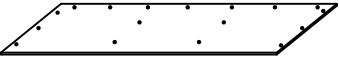
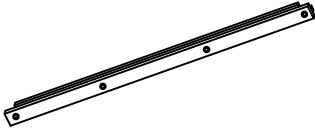
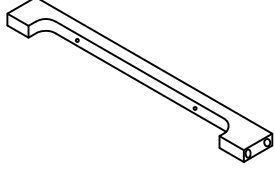
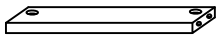
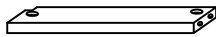
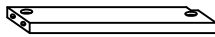
## ASSEMBLY INSTRUCTIONS

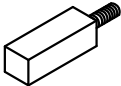
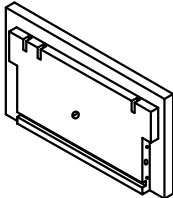
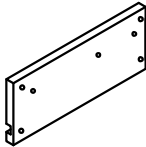
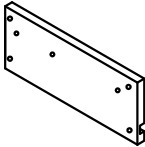

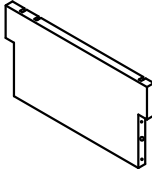

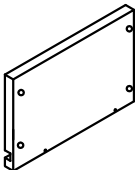
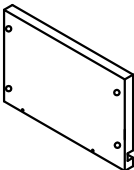
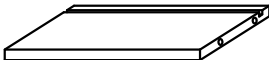



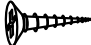
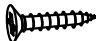



Made In China


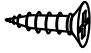

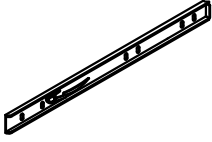






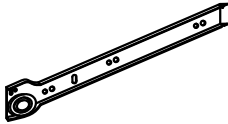
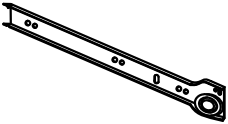
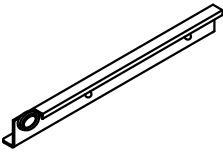
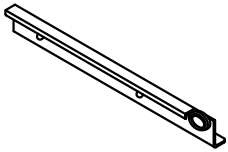


Thank you for purchasing this quality product. Be sure to check all packing material carefully for small parts, which may have come loose inside the carton during shipment. Count all parts and material hardware, then compare with parts list to be sure all parts are present. If any parts are missing or damaged, phone, fax, or mail to our Customer Service Department for efficient and speedy service. Please indicate the model number and code letter of part(s) needed.

IMPORTANT NOTE: Follow instructions listed below in proper sequence as numbered to assure fast, easy and correct assembly.

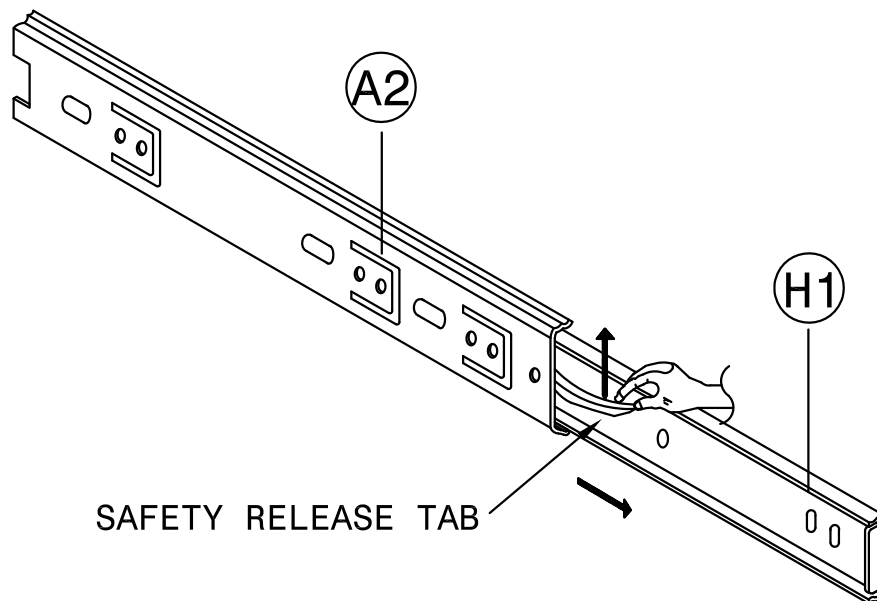
PARTS LIST		
A    TOP PANEL-1PC	B    RIGHT SIDE PANEL-1PC	C    LEFT SIDE PANEL-1PC
D    BOTTOM PANEL-1PC	E    LEFT STAND PANEL-1PC	F    RIGHT STAND PANEL-1PC
G    BACK PANELS-2PCS	H    REAR PANEL GUIDE-1PC	I    FRONT LOW PANEL-1PC
J    MIDDLE ACROSS PANELS-2PCS	K    LEFT ACROSS PANELS-2PCS	L    RIGHT ACROSS PANELS-2PCS

<p>M</p>  <p>FEET-2PCS</p>	<p>N</p>  <p>BIG DRAWER PANEL FRONTS-6PCS</p>	<p>O</p>  <p>BIG LEFT DRAWER PANEL SIDES-6PCS</p>
<p>P</p>  <p>BIG RIGHT DRAWER PANEL SIDES-6PCS</p>	<p>Q</p>  <p>BIG DRAWER PANEL BOTTOMS-6PCS</p>	<p>R</p>  <p>BIG DRAWER PANEL BACKS-6PCS</p>
<p>S</p>  <p>SMALL DRAWER PANEL FRONTS-3PCS</p>	<p>T</p>  <p>SMALL LEFT DRAWER PANEL SIDES-3PCS</p>	<p>U</p>  <p>SMALL RIGHT DRAWER PANEL SIDES-3PCS</p>
<p>V</p>  <p>SMALL DRAWER PANEL BACKS-3PCS</p>	<p>W</p>  <p>SMALL DRAWER PANEL BOTTOMS-3PCS</p>	<p>X</p>  <p>CAM-BOLTS-28PCS</p>
<p>Y</p>  <p>CAM-LOCKS-28PCS</p>	<p>Z</p> <p>8mm × 1"</p>  <p>SCREWS-2PCS</p>	<p>A1</p> <p>6mm × 1"</p>  <p>SCREWS-72PCS</p>
<p>B1</p>  <p>DOWELS-40PCS</p>	<p>C1</p> <p>8mm × 5/8"</p>  <p>SCREWS-9PCS</p>	<p>D1</p> <p>6mm × 1/2"</p>  <p>SCREWS-36PCS</p>

<p>E1</p>  <p>CAM-TOOL-1PC</p>	<p>F1 6mm × 3/8"</p>  <p>SCREWS-114PCS</p>	<p>G1</p>  <p>FILE HANGERS-12PCS</p>
<p>H1</p>  <p>INNER SLIDES-12PCS</p>	<p>I1</p>  <p>KNOBS-9PCS</p>	<p>W1 fall down prevention</p>  <p>HOOKS-2PCS</p>
<p>X1 fall down prevention 6mm × 1"</p>  <p>SCREWS-6PCS</p>	<p>Y1 fall down prevention</p>  <p>GECKOS-2PCS</p>	<p>Z1 fall down prevention 7mm × 7/8"</p>  <p>SCREWS-2PCS</p>
<p>A2</p>  <p>OUTER SLIDES-12PCS</p>	<p>B2</p>  <p>LEFT OUTER SLIDES-3PCS</p>	<p>C2</p>  <p>RIGHT OUTER SLIDES-3PCS</p>
<p>D2</p>  <p>LEFT INNER SLIDES-3PCS</p>	<p>E2</p>  <p>RIGHT INNER SLIDES-3PCS</p>	

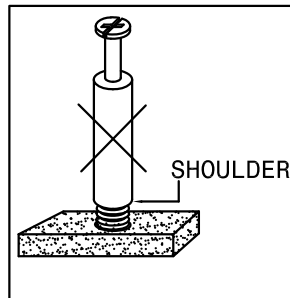
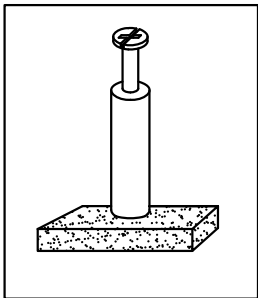
NOTE: THE SURFACE WITH THE STICKER IS THE BACK SIDE.

## HOW TO SEPARATE GLIDES



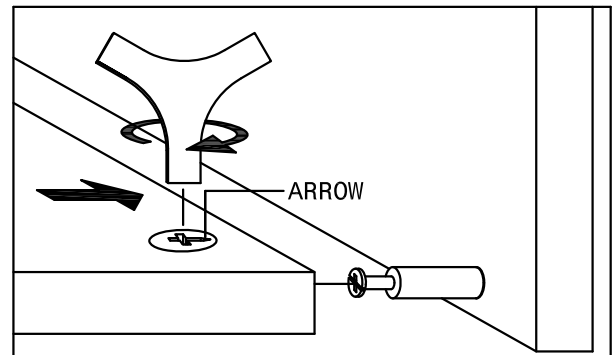
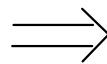
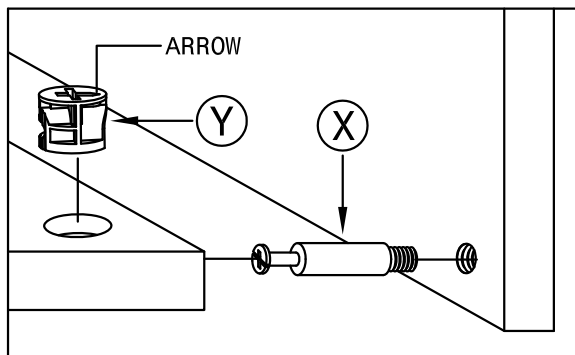
PRIOR TO ASSEMBLY, WE SUGGEST SEPARATING THE INNER GLIDES FROM THE OUTER-GLIDES, SIMPLY PULL THE LEFT/RIGHT INNER GLIDES FROM THE OUTER GLIDES EXPOSING A SMALL BLACK SAFELY RELEASE TAB, BY PUSHING THE SAFETY RELEASE TAB. YOU WILL BE ABLE TO SEPARATE THE GLIDES.

NOTE: • UPON OPENING, THOROUGHLY CLEAN ALL WOOD SURFACES TO REMOVE DUST AND DIRT THAT MAY HAVE SETTLED ONTO FINISH DURING SHIPMENT. IN ORDER TO PREVENT DAMAGE DURING ASSEMBLY, PLEASE ASSEMBLE THIS ITEM WITH AT LEAST TWO PEOPLE.

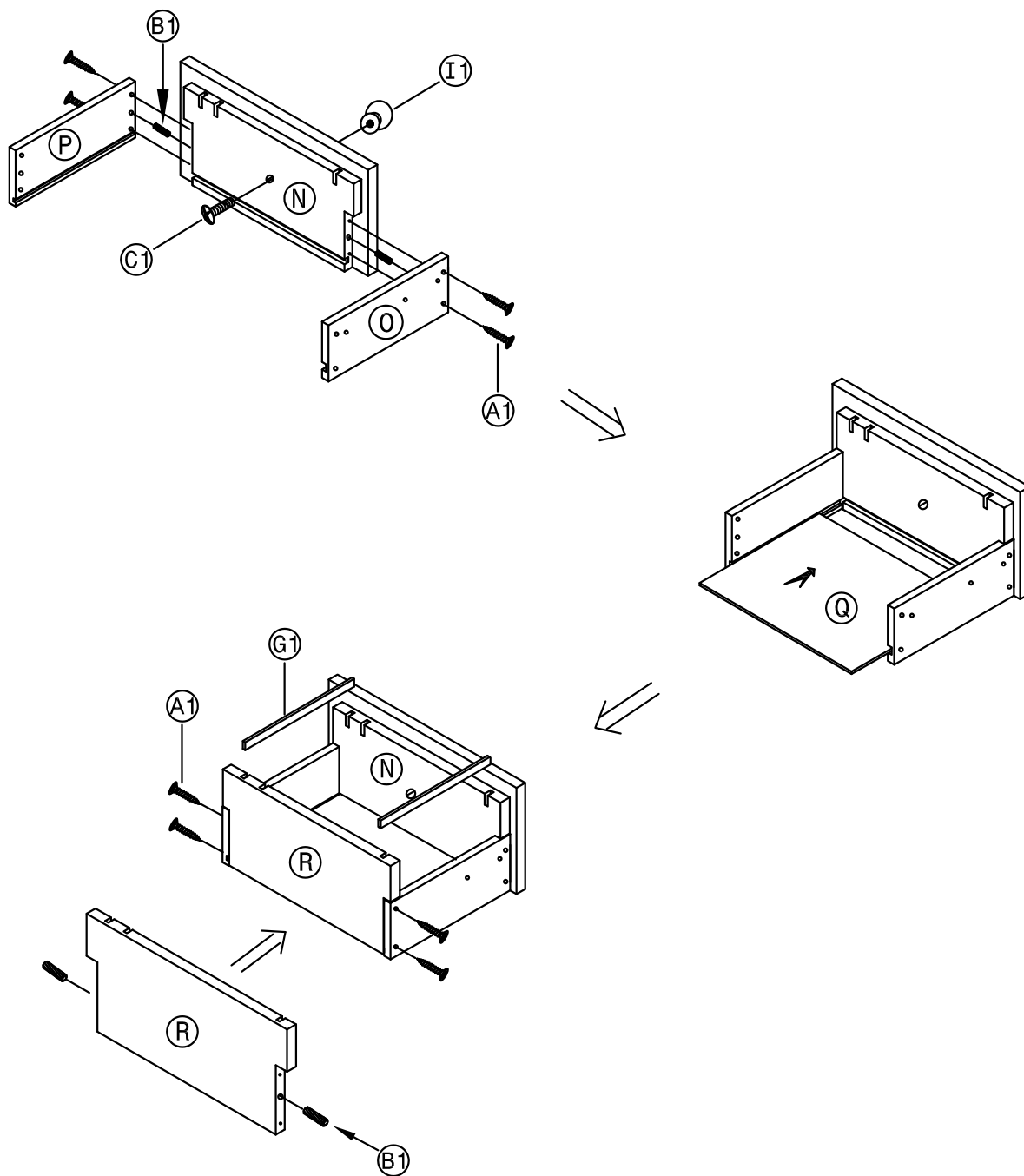


NOTE: TURN THE CAM-BOLT SCREWS UNTIL THEY ARE TIGHT, THE SHOULDER SHOULD BE AGAINST THE SURFACE OF THE PART.

## HOW TO USE THE CAM-TOOL

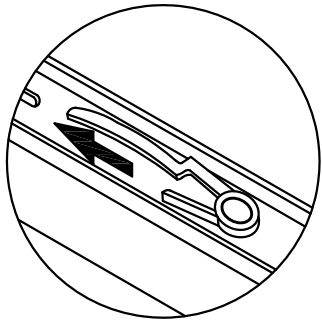


NOTE: • THE ARROWS ON THE HIDDEN CAM-LOCKS SHOULD POINT TO THE CAM-BOLTS

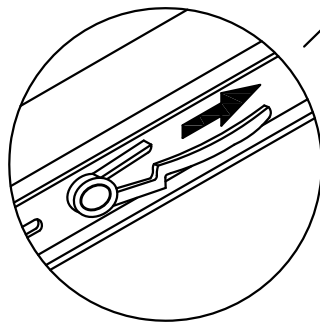
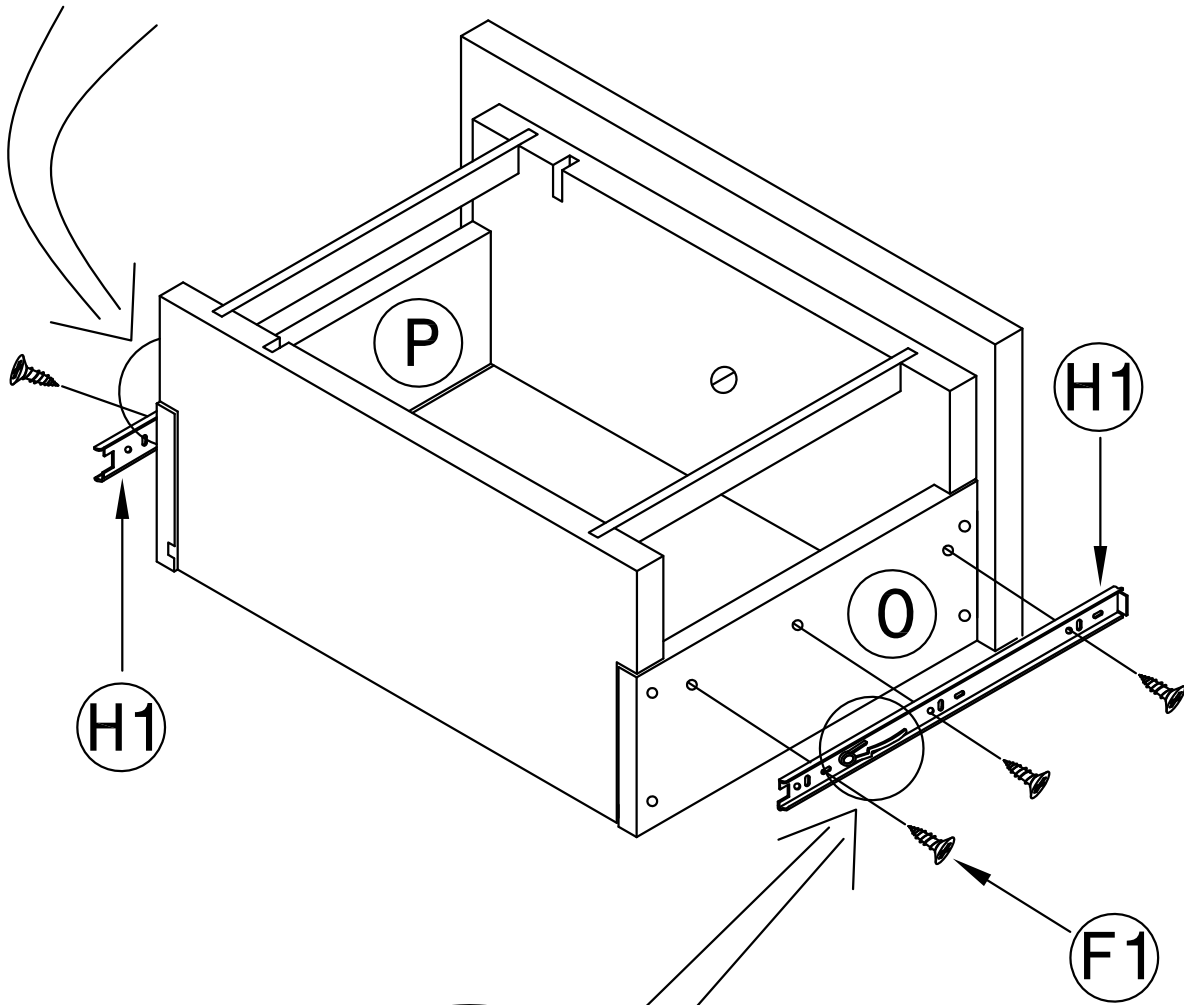


**1) . ASSEMBLE THE BIG DRAWER.**

- INSERT DOWELS(B1) INTO THE HOLES IN THE PANEL(N) AND ATTACH SIDE PANEL(O/P) USING 4 SCREWS(A1) .
- ATTACH THE HANDLE(I1) TO FRONT DRAWER PANEL(N) USING A SCREW(C1) .
- INSERT DRAWER PANEL BOTTOM(Q) INTO THE SLOT IN THE SIDE DRAWER PANELS(O/P) .
- INSERT THE DOWELS(B1) INTO THE HOLES IN THE DRAWER PANEL BACK(R) AND ATTACH USING 4 SCREWS(A1) .
- INSERT THE FILE HANGER(G1) INTO THE CUT-OUT OF THE FRONT & BACK DRAWER PANELS(R/N) .



ARROW FACES DRAWER FRONT

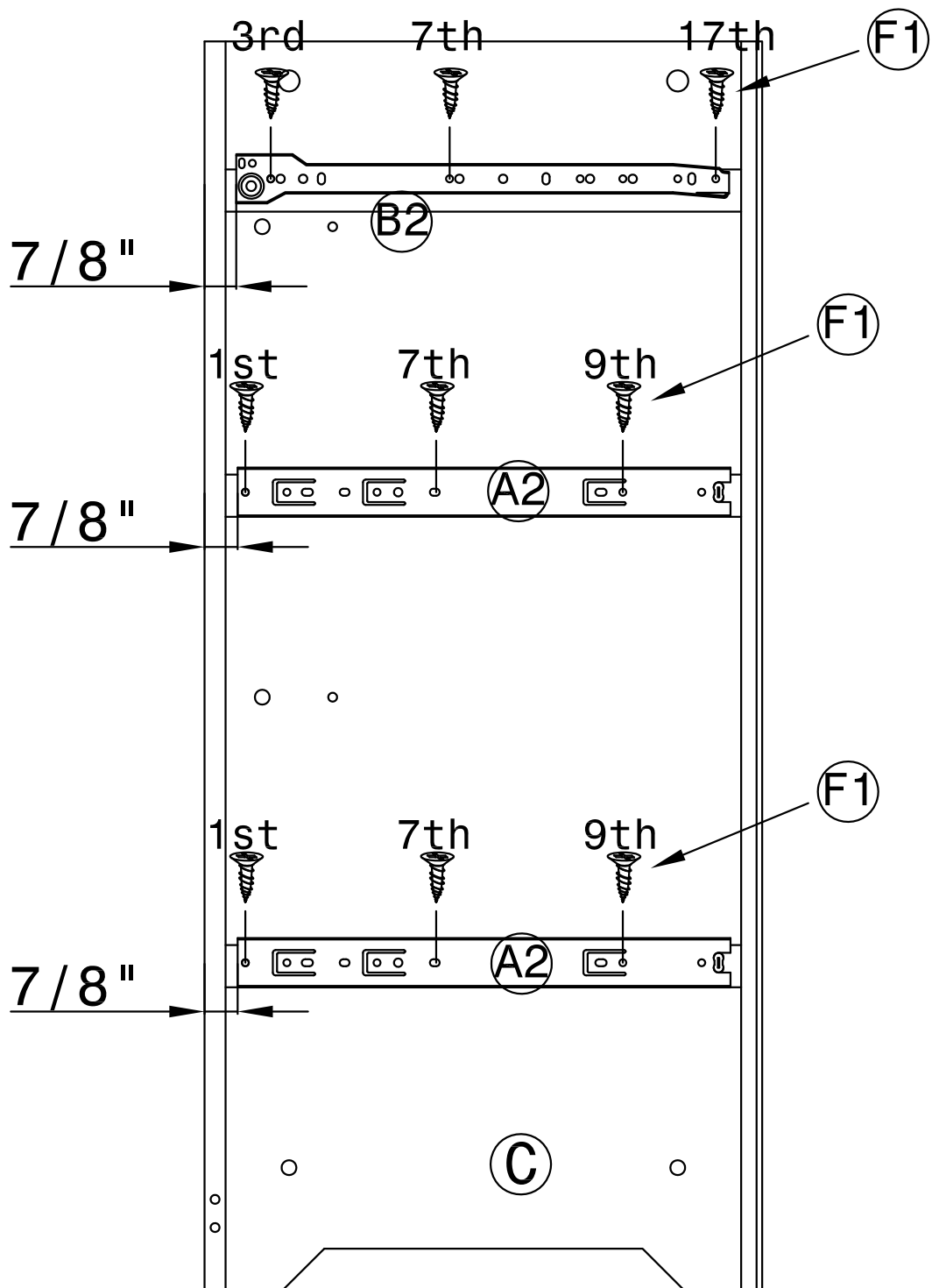


ARROW FACES DRAWER FRONT

2) . ASSEMBLE THE INNER SLIDES(H1) .

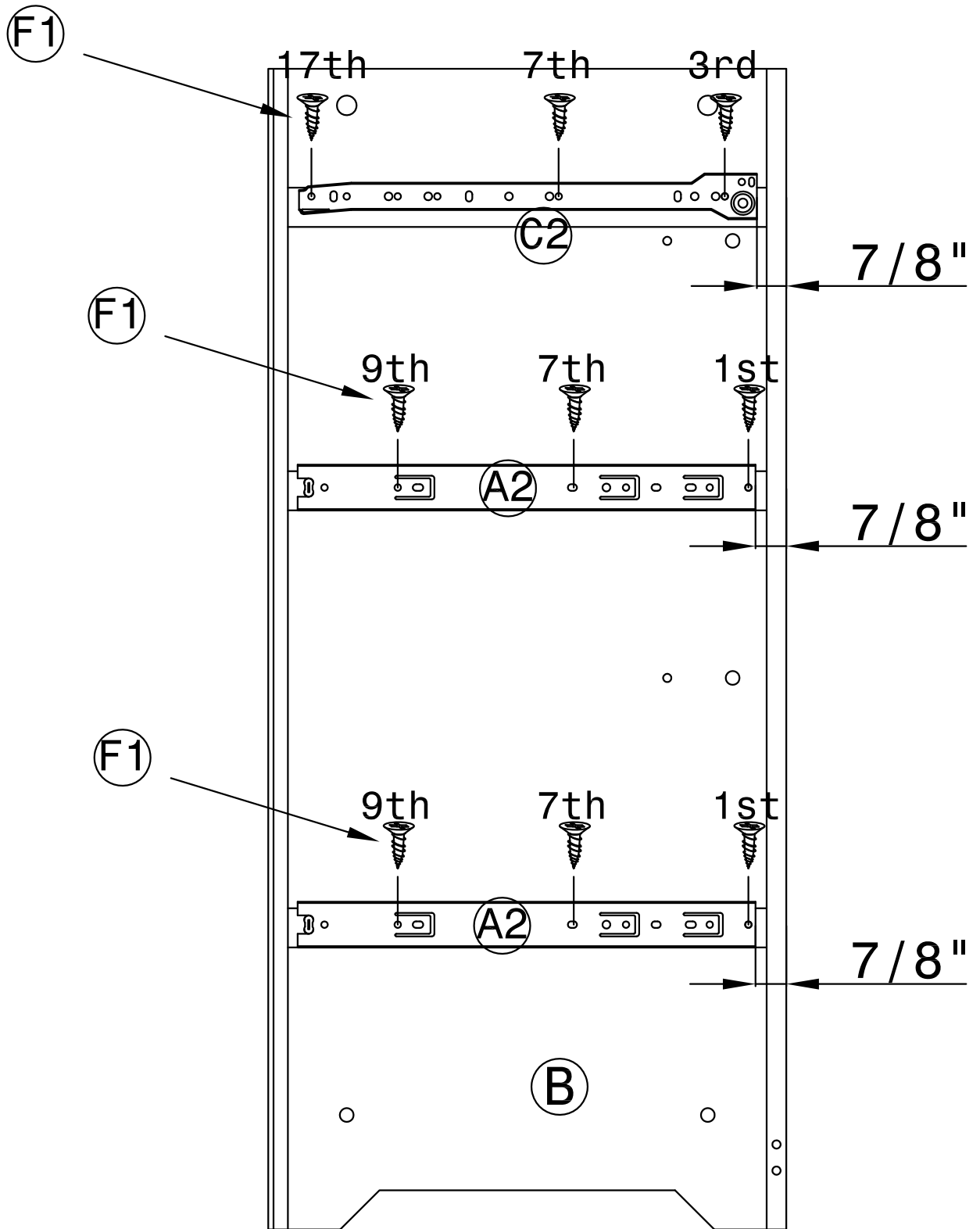
- ATTACH INNER SLIDES(H1) TO DRAWER PANEL SIDE(O/P) USING 6 SCREWS(F1) .





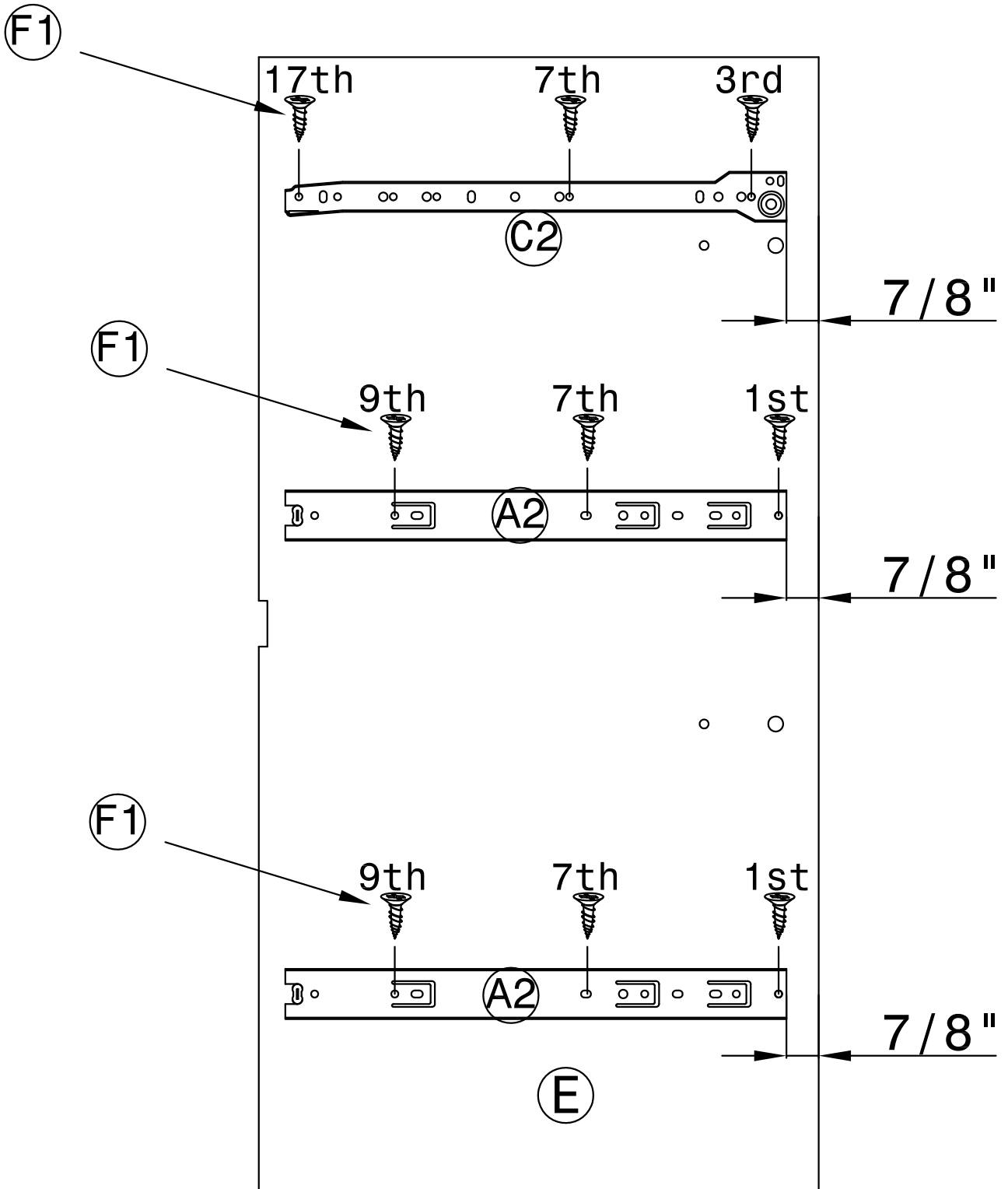
3) . ASSEMBLE THE OUTER SLIDES(A2/B2) .

- ATTACH OUTER SLIDES(A2/B2) TO LEFT SIDE PANEL(C) USING 9 SCREWS(F1) .



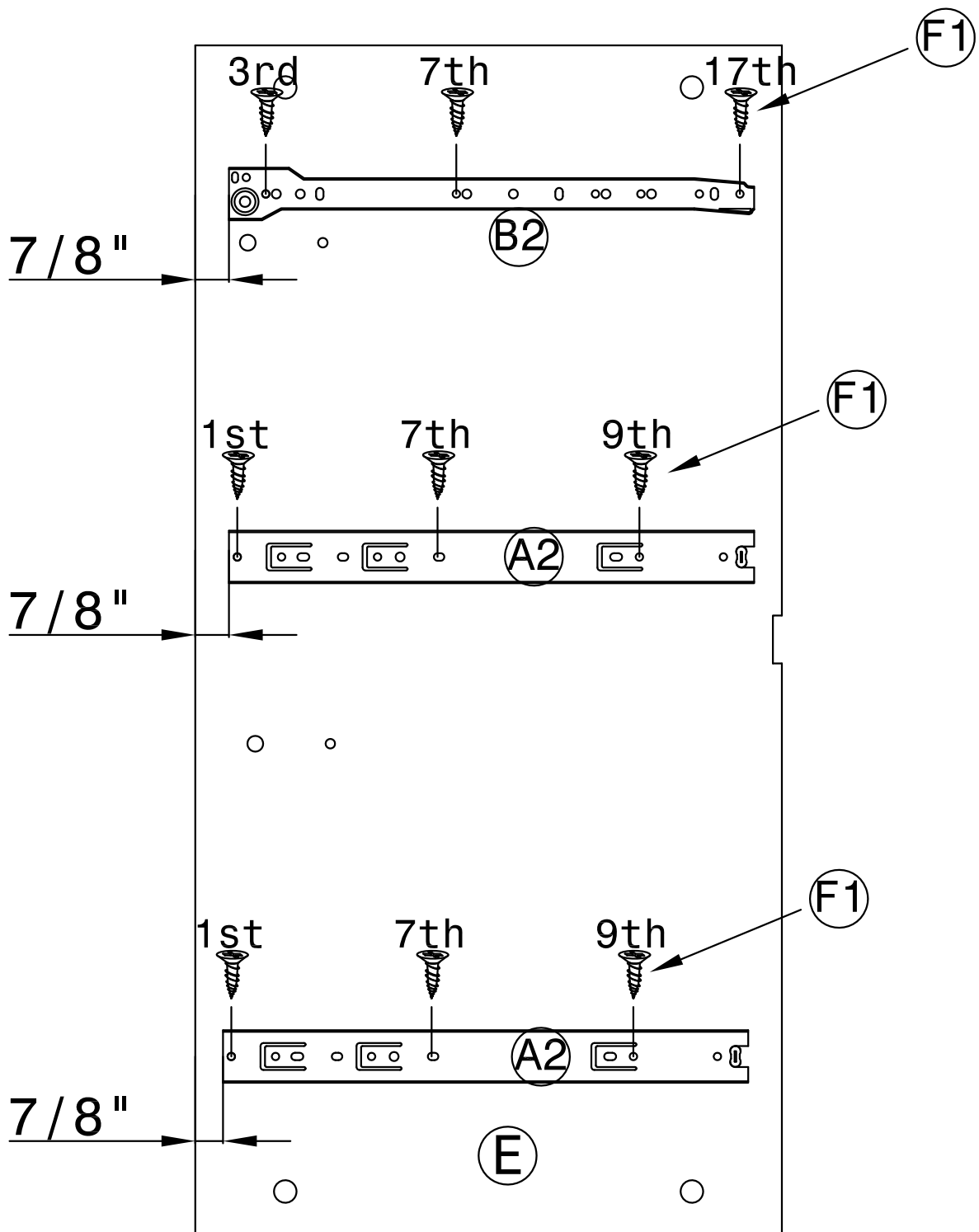
4) . ASSEMBLE THE OUTER SLIDES(A2/C2) .

- ATTACH OUTER SLIDES(A2/C2) TO RIGHT SIDE PANEL(B) USING 9 SCREWS(F1) .



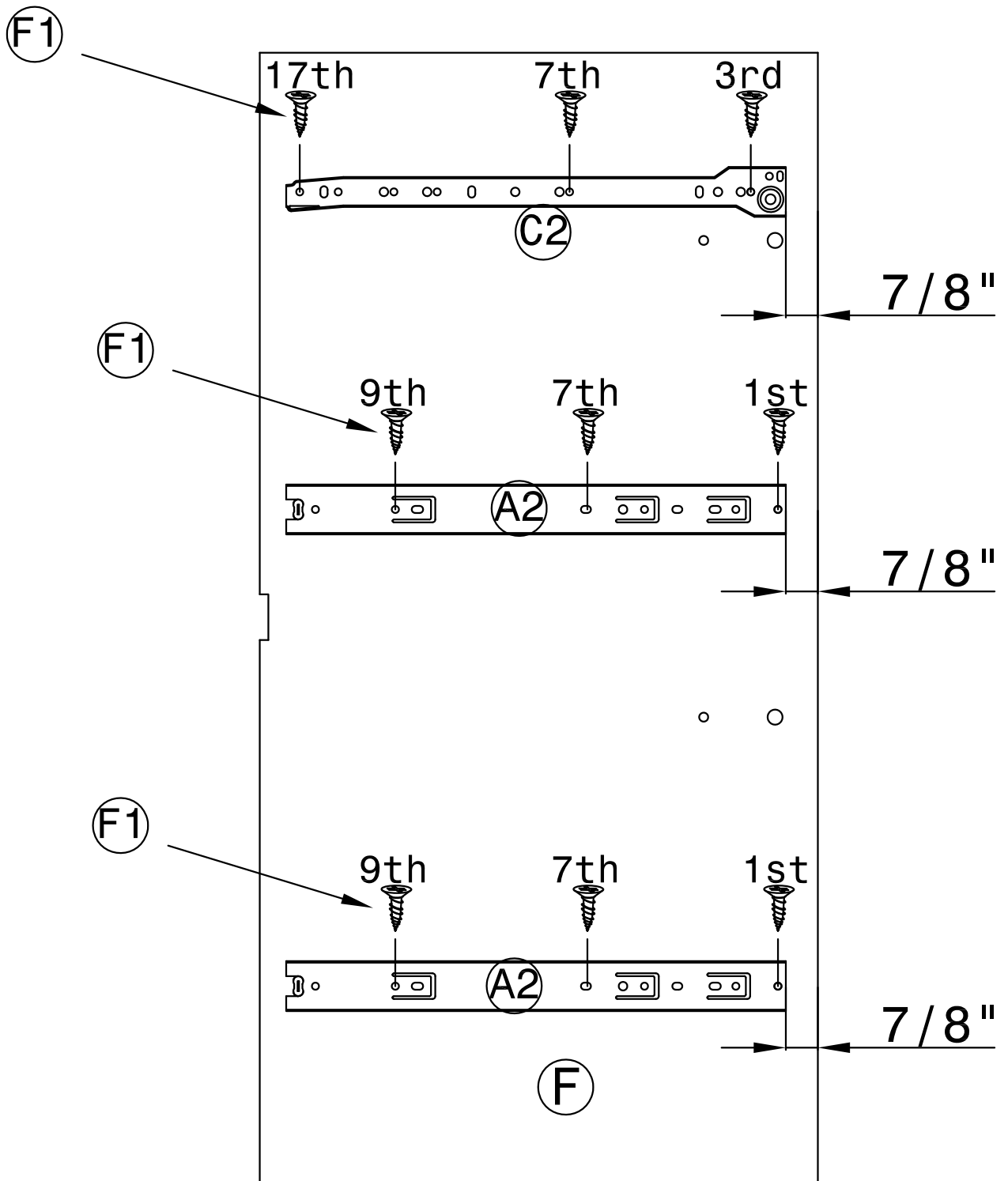
5) . ASSEMBLE THE OUTER SLIDES(A2/C2) .

- ATTACH OUTER SLIDES(A2/C2) TO LEFT STAND PANEL(E) USING 9 SCREWS(F1) .



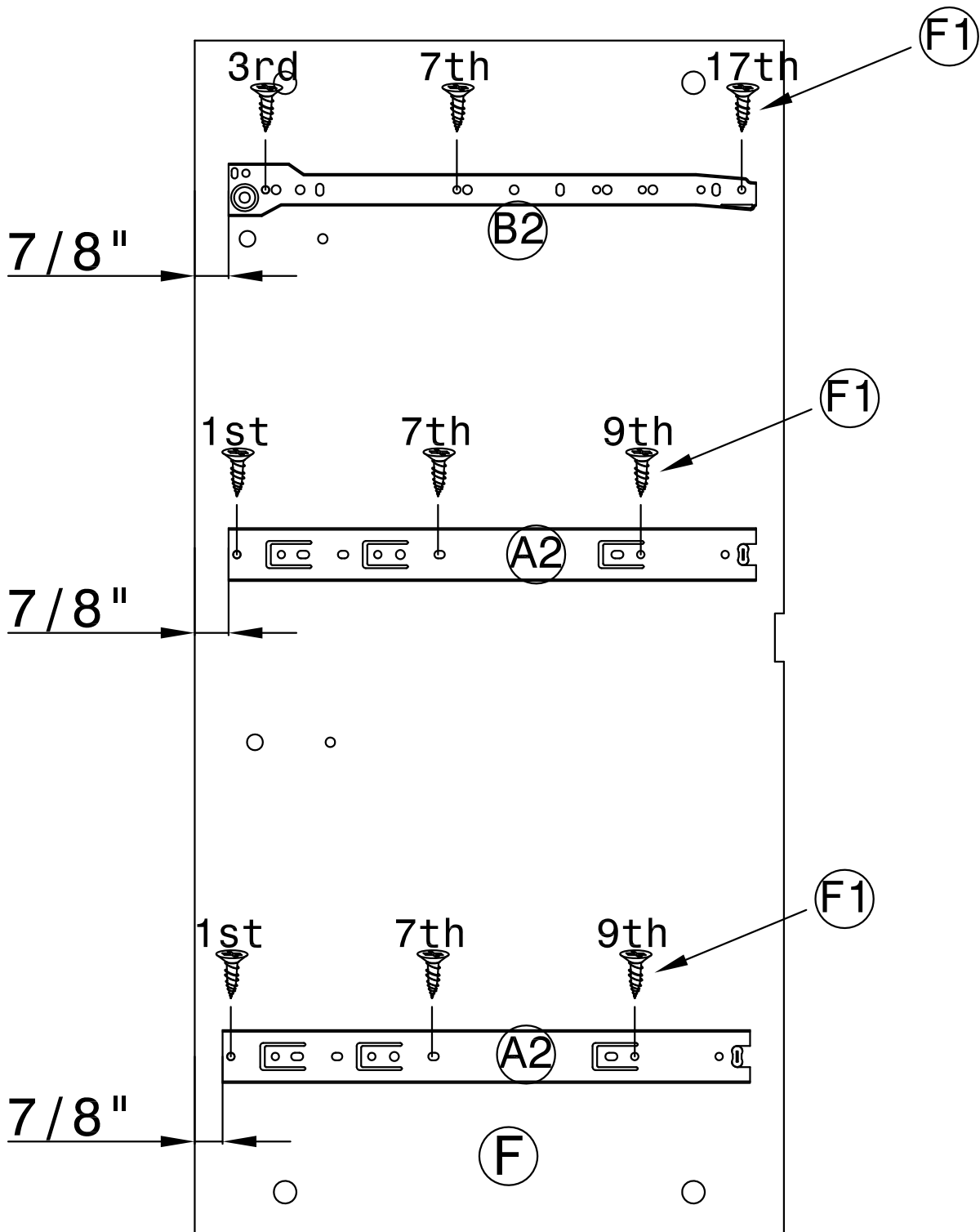
6) . ASSEMBLE THE OUTER SLIDES(A2/B2) .

- ATTACH OUTER SLIDES(A2/B2) TO LEFT STAND PANEL(E) USING 9 SCREWS(F1) .



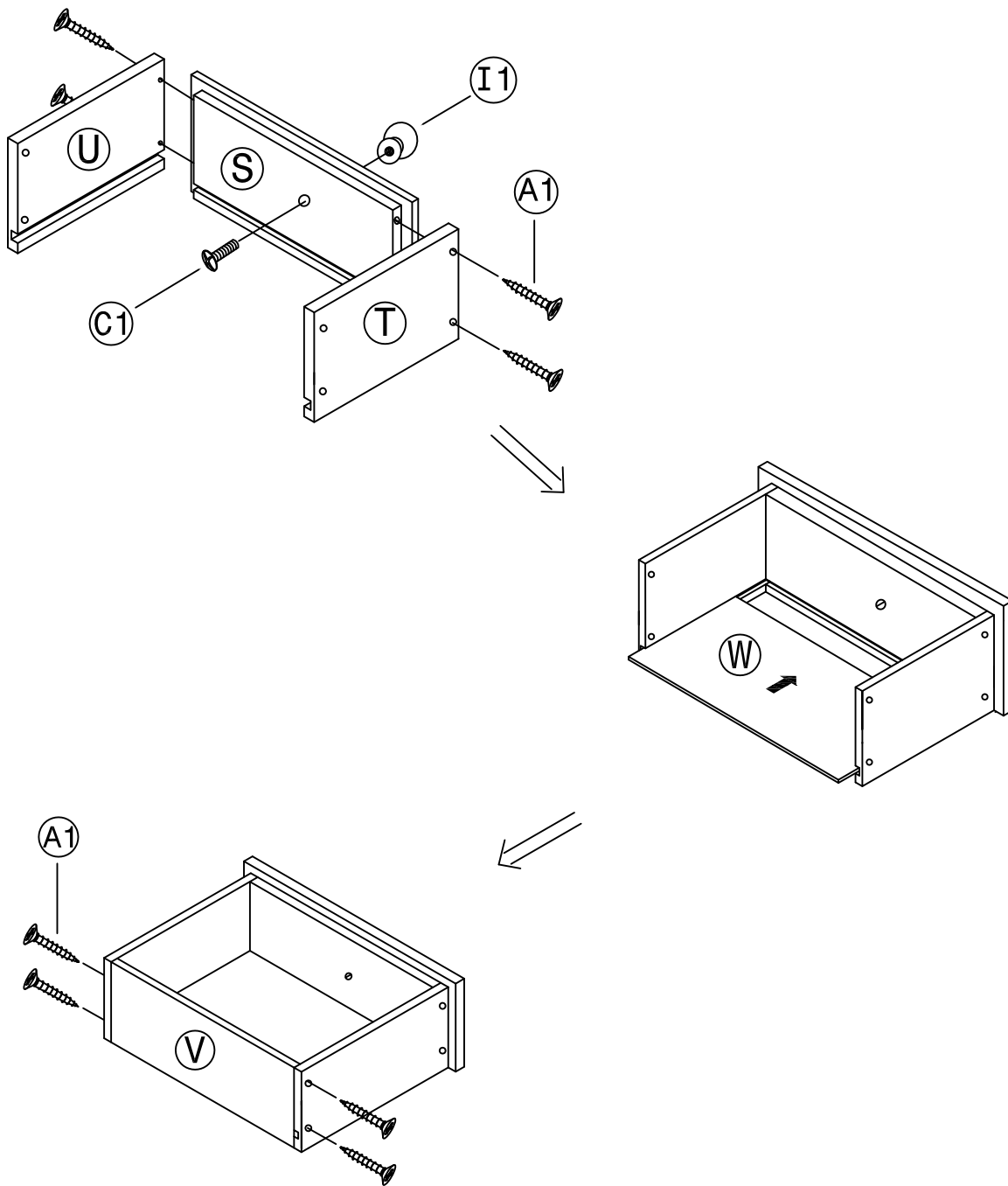
7) . ASSEMBLE THE OUTER SLIDES(A2/C2) .

- ATTACH OUTER SLIDES(A2/C2) TO RIGHT STAND PANEL(F) USING 9 SCREWS(F1) .



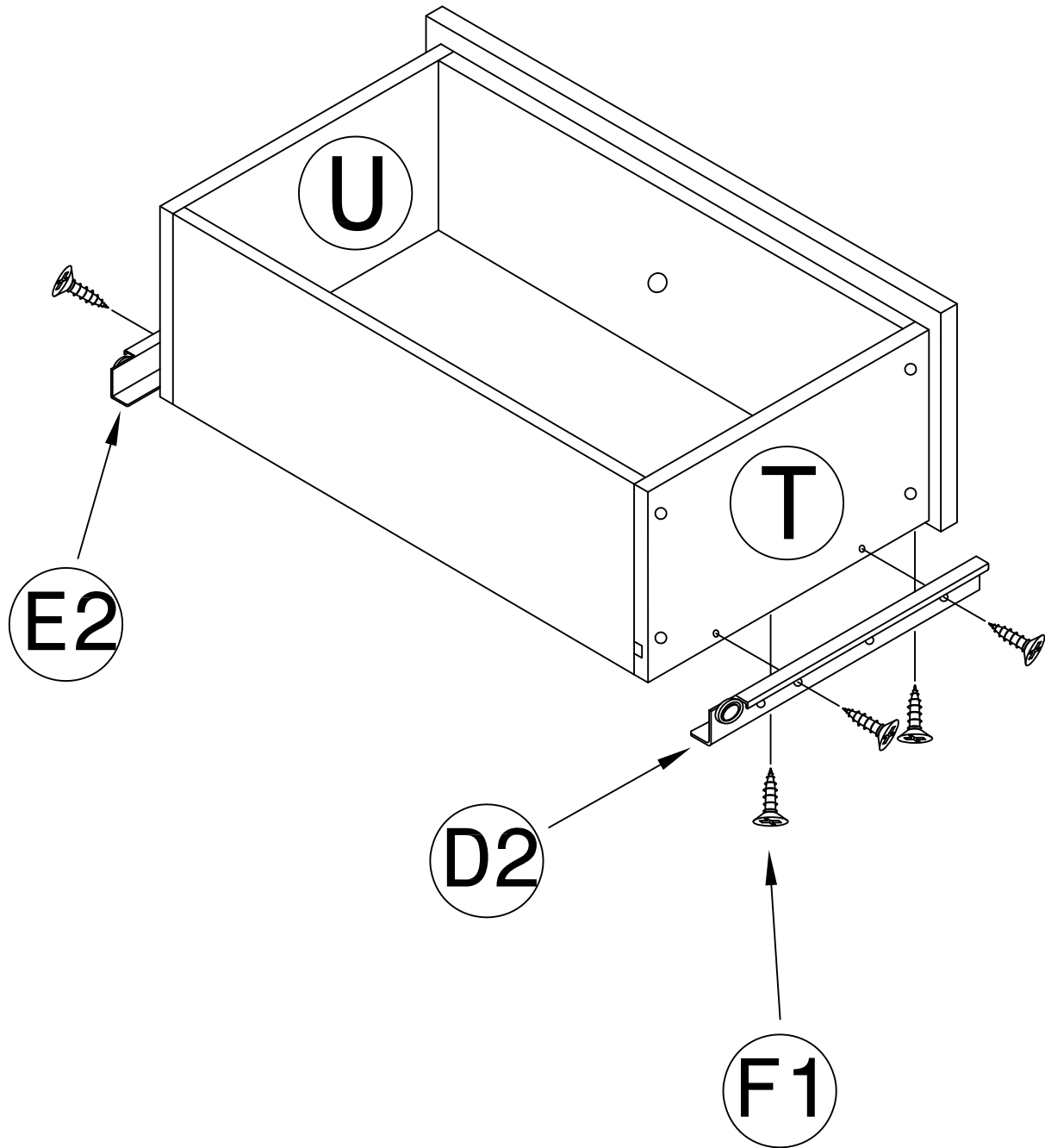
8) . ASSEMBLE THE OUTER SLIDES(A2/B2) .

- ATTACH OUTER SLIDES(A2/B2) TO RIGHT STAND PANEL(F) USING 9 SCREWS(F1) .



**9) .ASSEMBLE THE SMALL DRAWER.**

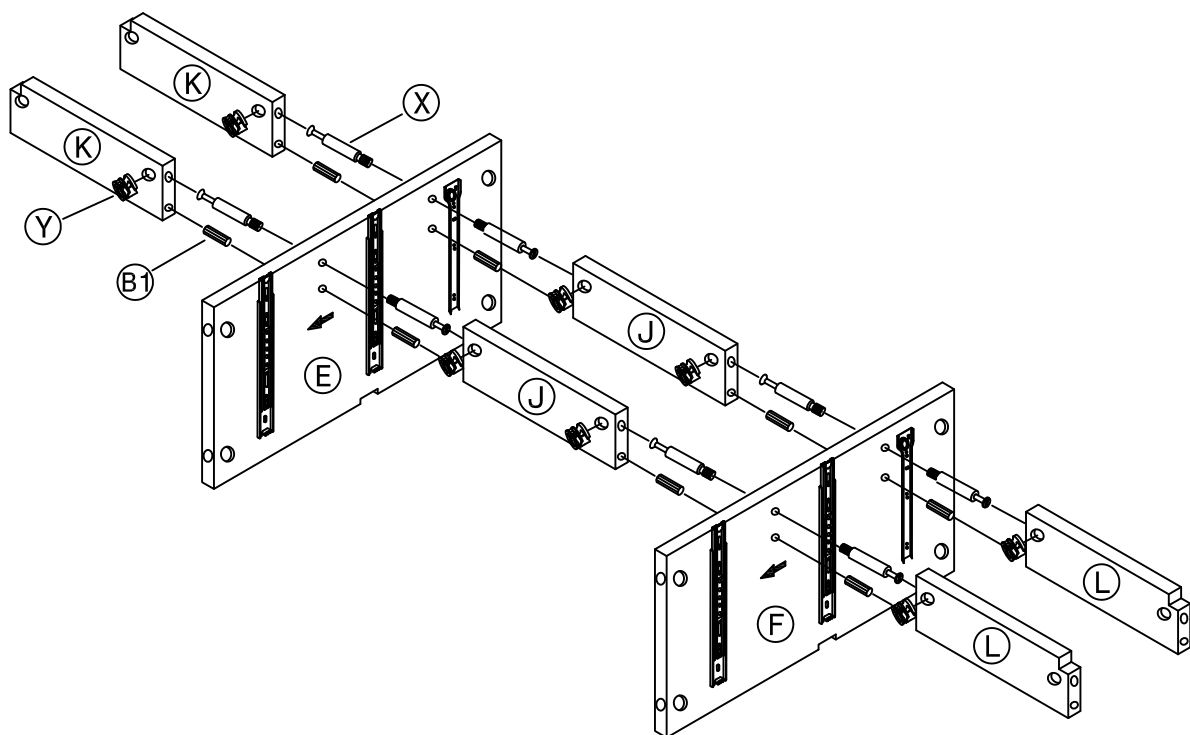
- ATTACH DRAWER PANEL SIDE(T/U) TO DRAWER PANEL FRONT(S) USING 4 SCREWS(A1).
- ATTACH HANDLE(I1) TO DRAWER PANEL FRONT(S) USING A SCREW(C1).
- INSERT THE DRAWER PANEL BOTTOM(W) INTO THE SLOTS IN THE SIDE DRAWER PANELS(T/U).
- ATTACH THE DRAWER PANEL BACK(V) TO DRAWER PANEL SIDE(T/U) USING 4 SCREWS(A1).



10). ASSEMBLE THE INNER SLIDES(E2/D2).

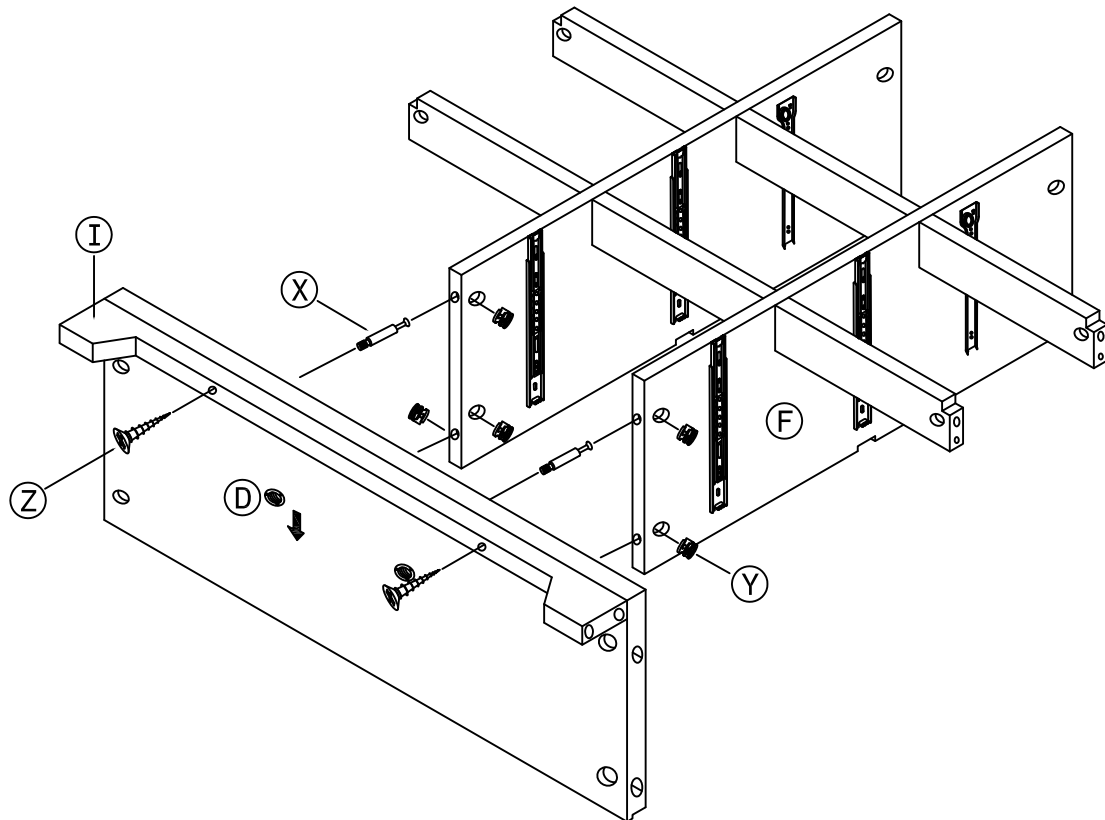
- ATTACH INNER SLIDES(E2/D2) TO DRAWER PANEL SIDE(T/U) USING 8 SCREWS(F1).





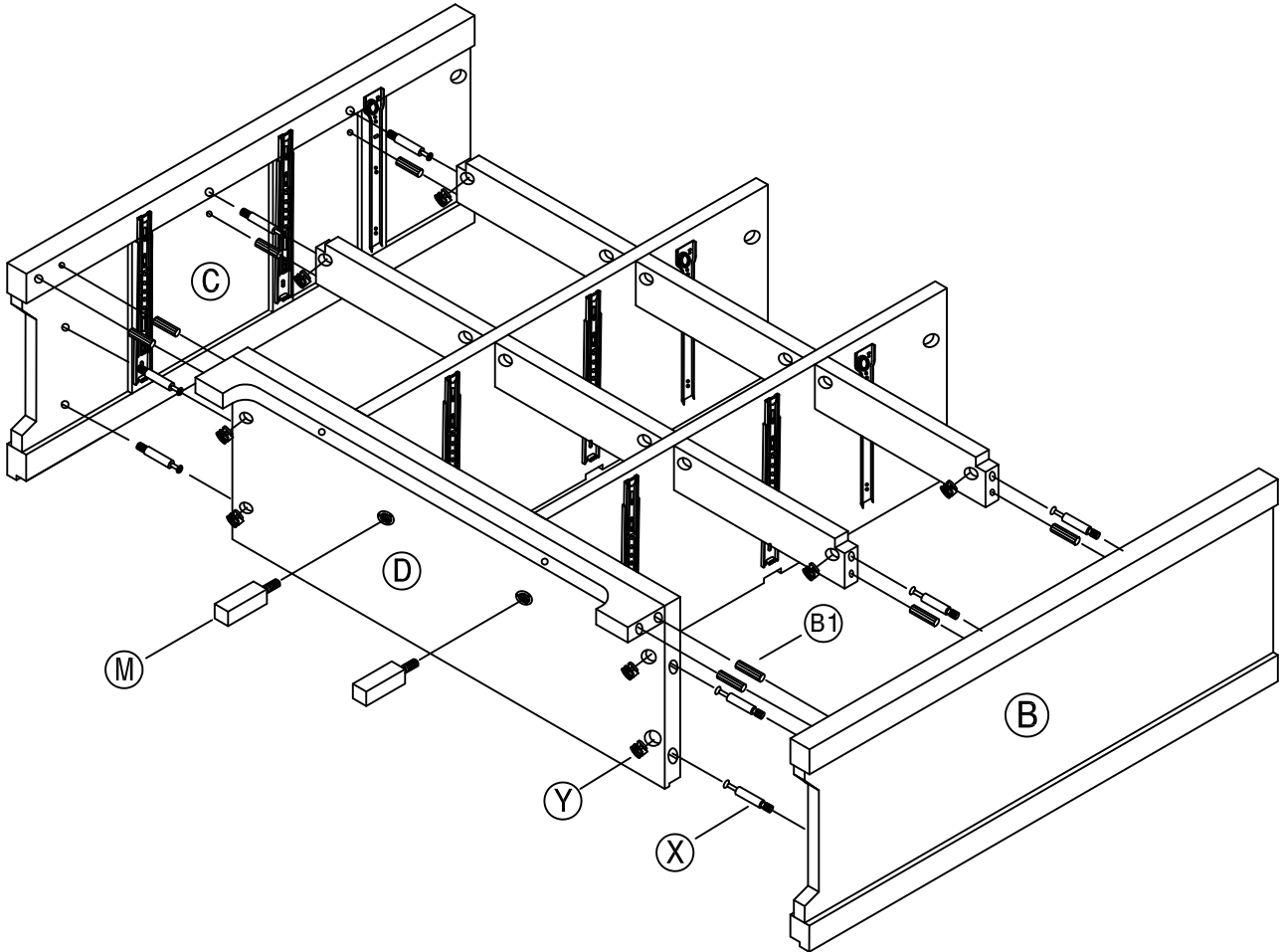
**11) . ASSEMBLE THE STAND PANEL(E/F) .**

- INSERT 8 DOWELS(B1) INTO THE HOLES IN THE ACROSS PANEL(K/L/J) .
- ROTATE THE 8 CAM-BOLTS(X) INTO THE HOLES IN THE STAND PANEL(E/F) .
- PLACE CAM-BOLTS(X) INTO THE HOLES IN THE PANEL(K/L/J) AND ATTACH USING 8 CAM-LOCKS(Y) .



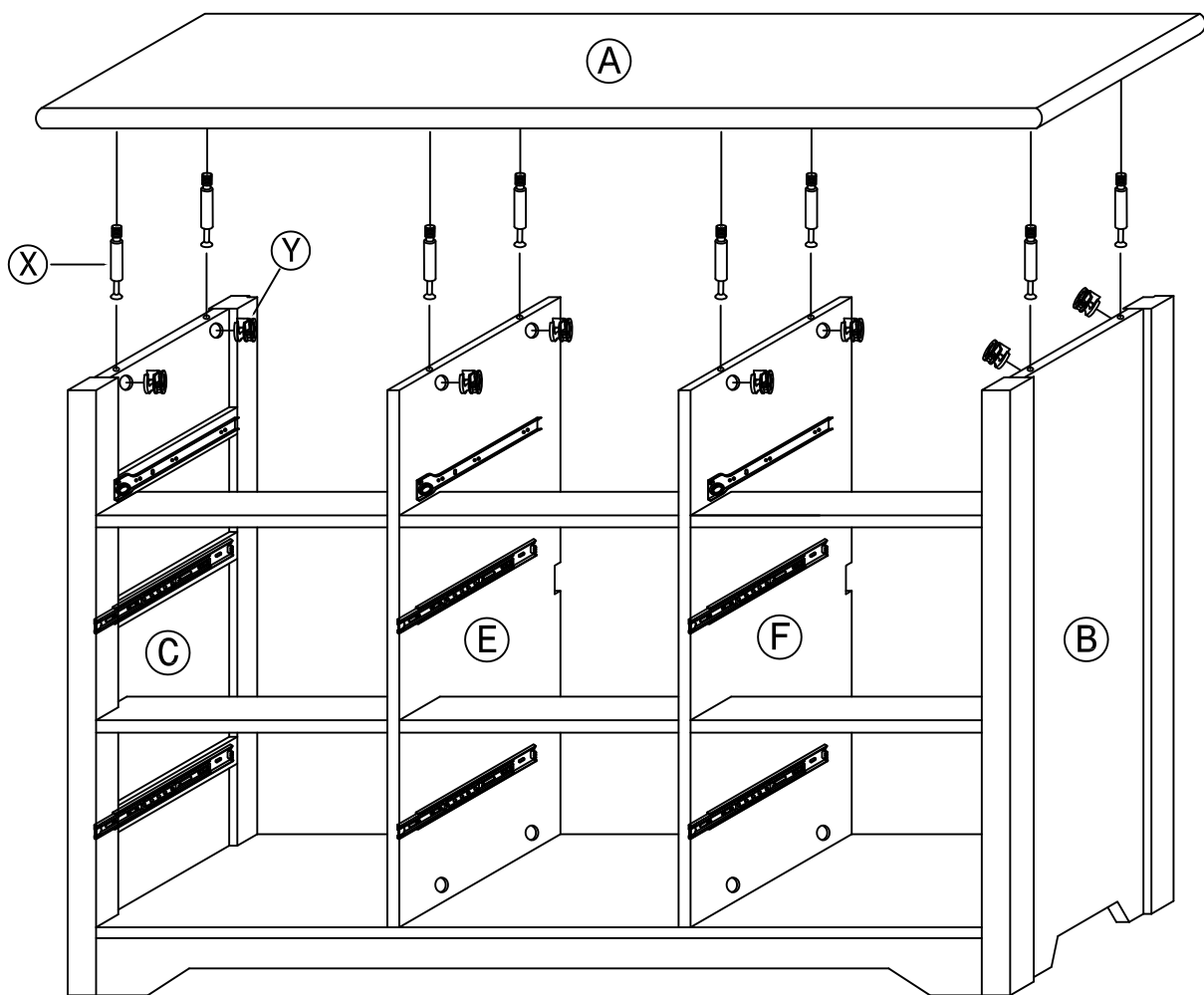
12 ) . ASSEMBLE BOTTOM PANEL(D) AND LOW PANEL(I) .

- ATTACH LOW PANEL(I) TO BOTTOM PANEL(D) USING 2 SCREWS(Z) .
- ROTATE THE 4 CAM-BOLTS(X) INTO THE HOLES IN THE BOTTOM PANEL(D) .
- PLACE THE CAM-BOLTS(X) INTO THE HOLES IN THE PANEL(E/F) AND ATTACH USING 4 CAM-LOCKS(Y) .



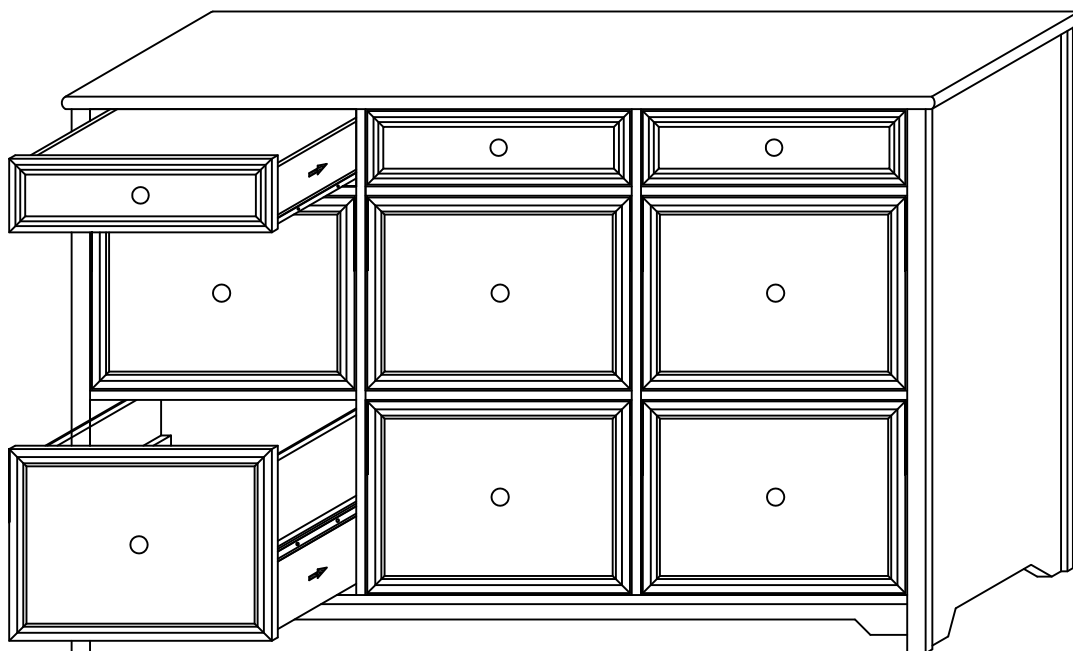
13 ) . ASSEMBLE THE SIDE PANEL (B/C) .

- INSERT THE 8 DOWELS(B1) INTO THE HOLES IN THE ACROSS PANEL(K/L) AND LOW PANEL(I) .
- ROTATE THE 8 CAM-BOLTS(X) INTO THE HOLES IN THE SIDE PANEL(B/C) .
- PLACE THE CAM-BOLTS(X) INTO THE HOLES IN THE PANEL(D/K/L) AND ATTACH USING 8 CAM-LOCKS(Y) .
- ROTATE 2 FEET(M) INTO THE HOLES IN THE BOTTOM PANEL(D) .



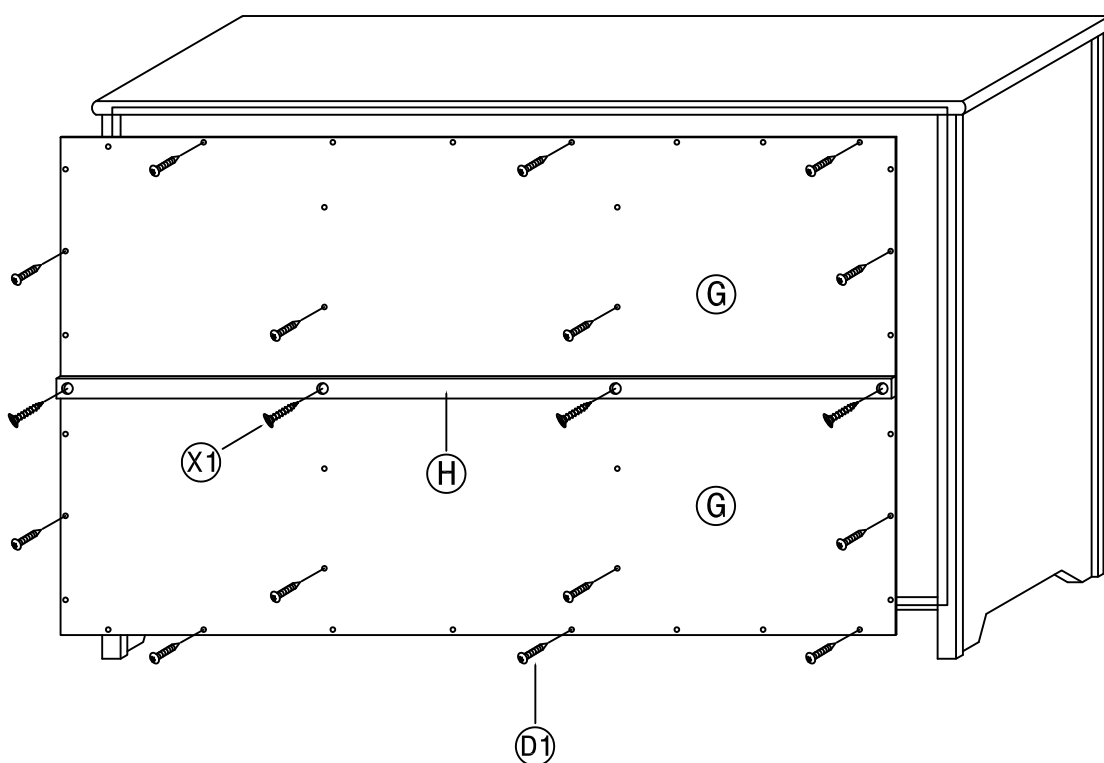
**14) . ASSEMBLE TOP PANEL (A) .**

- ROTATE THE 8 CAM-BOLTS(X) INTO THE HOLES IN THE TOP PANEL(A) .
- PLACE CAM-BOLTS(X) INTO THE HOLES IN THE PANEL(B/C/E/F) AND ATTACH USING 8 CAM-LOCKS(Y) .



**15 ) . ASSEMBLE THE DRAWERS.**

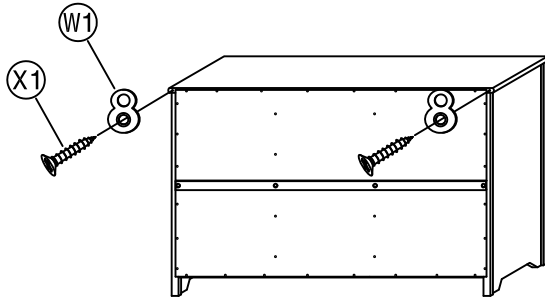
- SLIDE ALL DRAWERS INTO THE SIDE/STAND PANEL SLIDERS.



**16 ) . ASSEMBLE THE BACK PANEL(G) .**

- INSERT THE BACK PANELS(G) INTO THE SLOT IN THE REAR PANEL GUIDE(H) .
- ATTACH THE BACK PANELS(G) AND REAR PANEL GUIDE(H) USING SCREWS(D1/X1) .

- I ● ATTACH 2 HOOKS(W1) USING 2 SCREWS(X1) IN THE  
PREDRILLED HOLES OF REAR TOP PANEL.



- II ● DRILL TWO HOLES INTO WALL, PLEASE REFER TO TOP PANEL'S HOLE DISTANCE AND HEIGHT.  
● PUT 2 GECKOS(Y1) INTO THE HOLES IN THE WALL AND ROTATE 2 SCREWS(Z1) INTO THE  
GECKOS(Y1).

