



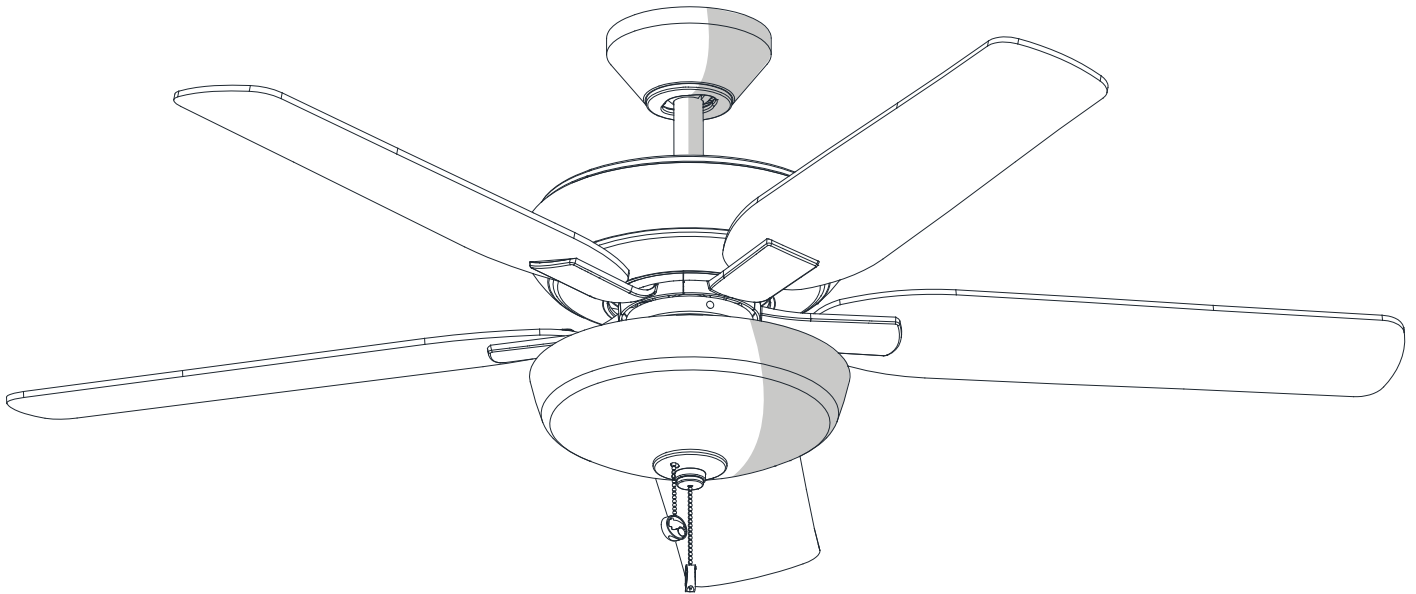
Item #1002 263 777, 1002 263 786

Model #57269, 57261

UL Model #52-COPY

USE AND CARE GUIDE

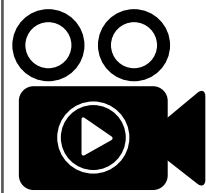
HOLLY SPRINGS 52-INCH CEILING FAN



Questions, problems, missing parts? Before returning to the store,
call Hampton Bay Customer Service
8 a.m. - 7 p.m., EST, Monday-Friday, 9 a.m. - 6 p.m., EST, Saturday

1-855-HD-HAMPTON

HAMPTONBAY.COM



To view an instructional video on how to install this product:

1. Go to www.homedepot.com and enter either the Item or Model number, found in the top right corner of the cover of this instruction manual, in the search field.
2. Click on your product from the list of search results and click on the video link in the "Product Overview" section.

THANK YOU

We appreciate the trust and confidence you have placed in Hampton Bay through the purchase of this ceiling fan. We strive to continually create quality products designed to enhance your home. Visit us online to see our full line of products available for your home improvement needs.

Thank you for choosing Hampton Bay!

Table of Contents

Table of Contents	2	Assembly	7
Safety Information	2	Operation	14
Warranty	3	Care and Cleaning	15
Pre-Installation	3	Troubleshooting	15
Installation	6		

Safety Information

READ AND SAVE THESE INSTRUCTIONS

1. To reduce the risk of electric shock, ensure the electricity has been turned off at the circuit breaker or fuse box before you begin.
2. All wiring must be in accordance with the National Electrical Code ANSI/NFPA 70-1999 and local electrical codes. Electrical installation should be performed by a qualified licensed electrician.
3. The outlet box and support structure must be securely mounted and capable of reliably supporting 35 lbs. (15.9 kg). Use only UL Listed outlet boxes marked "Acceptable for Fan Support of 35 lbs. (15.9 kg) or less."
4. The fan must be mounted with a minimum of 7 ft. (2.1 m) clearance from the trailing edge of the blades to the floor.
5. Do not operate the reversing switch while the fan blades are in motion. You must turn the fan off and stop the blades before you reverse the blade direction.
6. Do not place objects in the path of the blades.
7. To avoid personal injury or damage to the fan and other items, use caution when working around or cleaning the fan.
8. Electrical diagrams are for reference only. Light kits that are not packed with the fan must be UL-listed and marked suitable for use with the model fan you are installing. Switches must be UL General Use Switches. Refer to the instructions packaged with the light kits and switches for proper assembly.
9. After making electrical connections, spliced conductors should be turned upward and pushed carefully up into the outlet box. The wires should be spread apart with the grounded conductor and the equipment-grounding conductor on one side of the outlet box.
10. All setscrews must be checked and retightened where necessary before installation.



WARNING: To reduce the risk of personal injury, do not bend the blade brackets (also referred to as flanges) during assembly or after installation. Do not insert objects in the path of the blades.



WARNING: Remove the rubber motor stops on the bottom of the fan before installing the blades or testing the motor.



WARNING: To reduce the risk of fire or electric shock, do not use this fan with any solid-state speed control device.



WARNING: To avoid possible electrical shock, turn the electricity off at the main fuse box before wiring. If you feel you do not have enough electrical wiring knowledge or experience, contact a licensed electrician.



WARNING: Electrical diagrams are for reference only. Optional use of any light kit shall be UL-listed and marked suitable for use with this fan.



WARNING: To reduce the risk of fire, electric shock, or personal injury, mount to outlet box marked "Acceptable for fan support of 35 lbs. (15.9 kg) or less," and use the screws provided with the outlet box.

This equipment has been tested and found to comply with the limits for a Class B digital device, pursuant to Part 15 of the FCC Rules. These limits are designed to provide reasonable protection against harmful interference in a residential installation. This equipment generates, uses and can radiate radio frequency energy and, if not installed and used in accordance with the instructions, may cause harmful interference to radio communications. However, there is no guarantee that interference will not occur in a particular installation. If this equipment does cause harmful interference to radio or television reception, which can be determined by turning the equipment off and on, the user is encouraged to try to correct the interference by one or more of the following measures:

- Reorient or relocate the receiving antenna.
- Increase the separation between the equipment and receiver.
- Connect the equipment into an outlet on a circuit different from that to which the receiver is connected.
- Consult the dealer or an experienced radio/TV technician for help.

CAUTION:

Any changes or modifications not expressly approved by the grantee of this device could void the user's authority to operate the equipment.

This device complies with Part 15 of the FCC Rules. Operation is subject to the following two conditions: (1) This device may not cause harmful interference, and (2) this device must accept any interference received, including interference that may cause undesired operation.

Warranty

The supplier warrants the fan motor to be free from defects in workmanship and material present at time of shipment from the factory for a lifetime after the date of purchase by the original purchaser. The supplier also warrants that all other fan parts, excluding any glass or acrylic blades, to be free from defects in workmanship and material at the time of shipment from the factory for a period of one year after the date of purchase by the original purchaser. We agree to correct such defects without charge or at our option replace with a comparable or superior model if the product is returned. To obtain warranty service, you must present a copy of the receipt as proof of purchase. All costs of removing and reinstalling the product are your responsibility. Damage to any part, such as by accident, misuse, improper installation, or by affixing any accessories, is not covered by this warranty. Because of varying climatic conditions this warranty does not cover any changes in brass finish, including rusting, pitting, corroding, tarnishing, or peeling. Brass finishes of this type give their longest useful life when protected from varying weather conditions. A certain amount of "wobble" is normal and should not be considered a defect. Servicing performed by unauthorized persons shall render the warranty invalid. There is no other express warranty. Hampton Bay hereby disclaims any and all warranties, including but not limited to those of merchantability and fitness for a particular purpose to the extent permitted by law. The duration of any implied warranty which cannot be disclaimed is limited to the time period as specified in the express warranty. Some states do not allow a limitation on how long an implied warranty lasts, so the above limitation may not apply to you. The retailer shall not be liable for incidental, consequential, or special damages arising out of or in connection with product use or performance except as may otherwise be accorded by law. Some states do not allow the exclusion of incidental or consequential damages, so the above exclusion or limitation may not apply to you. This warranty gives specific legal rights, and you may also have other rights which vary from state to state. This warranty supersedes all prior warranties. Shipping costs for any return of product as part of a claim on the warranty must be paid by the customer.

Contact the Customer Service Team at 1-855-HD-HAMPTON or visit www.HamptonBay.com.

Pre-Installation

SPECIFICATIONS

Size	Speed	Volts	Amps	Watts	RPM	CFM	Net Weight	Gross Weight	Cube Feet
52 in.	Low	120	0.21	11	63	1717	19.40 lb (8.8 kg)	22.49 lb (10.2 kg)	2.05 cu.ft.
	Medium		0.35	28	105	2885			
	High		0.51	61	165	4356			



NOTE: These are approximate measures. They do not include the amps and wattage used by the light kit.



TOOLS REQUIRED



Phillips screwdriver



Flat blade screwdriver



Adjustable wrench



Electrical tape



Wire cutter / stripper



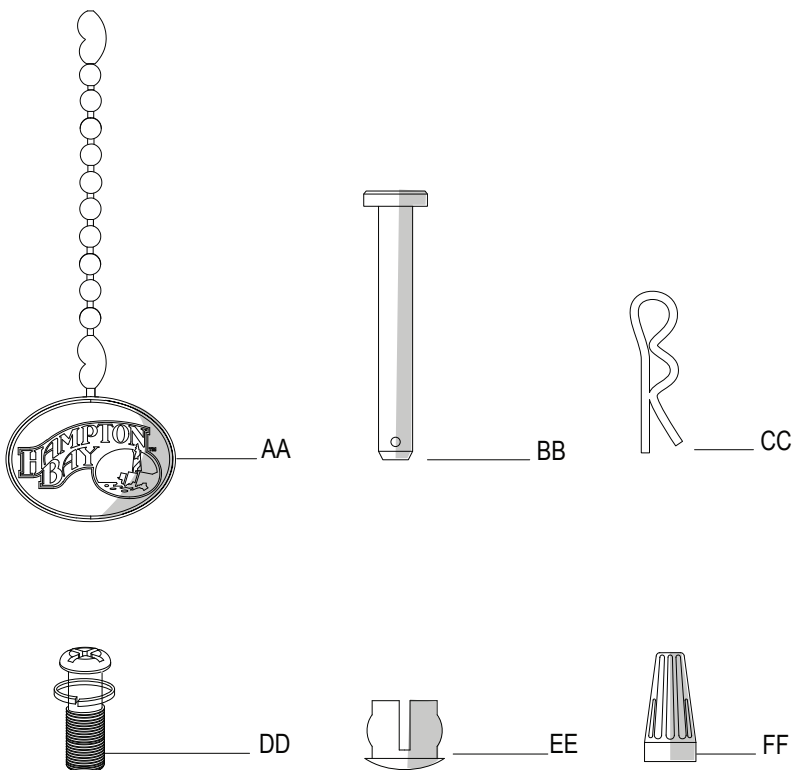
Step ladder

Pre-Installation (continued)

HARDWARE INCLUDED



NOTE: Hardware not shown to actual size.

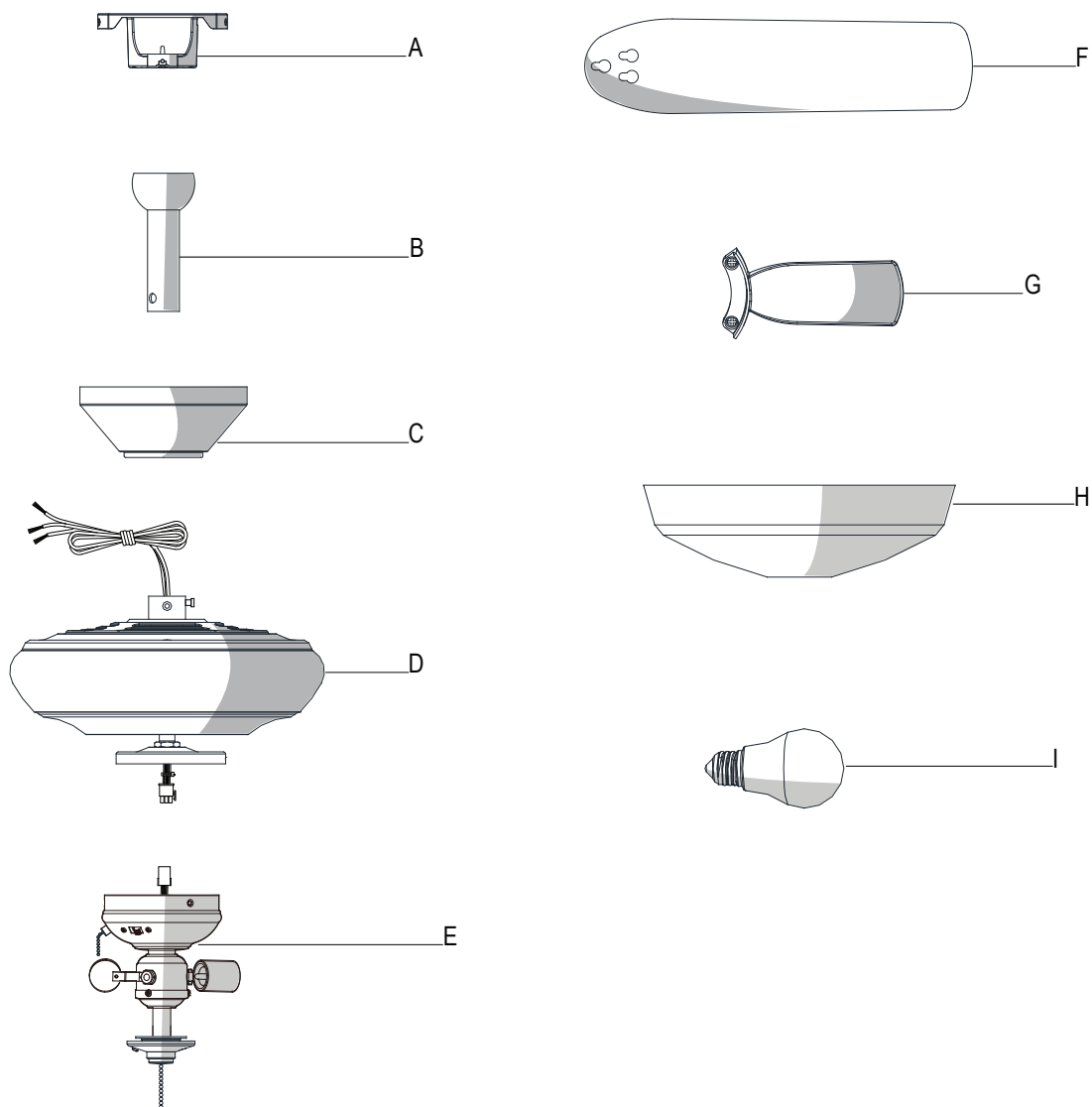


Part	Description	Quantity
AA	Pull chain	2
BB	Hanger pin	1
CC	Locking pin	1

Part	Description	Quantity
DD	Extra blade bracket screw	1
EE	Plastic plug (to be used for fan without light kit)	1
FF	Wire connecting nut	3

Pre-Installation (continued)

PACKAGE CONTENTS



Part	Description	Quantity
A	Slide-on mounting bracket (inside canopy)	1
B	Ball/downrod assembly	1
C	Canopy	1
D	Fan-motor assembly	1
E	Light kit fitter assembly	1

Part	Description	Quantity
F	Blade	5
G	Blade bracket (with pre-installed screws)	5
H	Glass bowl	1
I	LED bulbs (9.5-Watt Max.)	3



IMPORTANT: This product and/or components are governed by one or more of the following U.S. Patents: 5,947,436; 5,988,580; 6,010,110; 6,046,416; 6,210,117 and other patents pending.

Installation

MOUNTING OPTIONS



WARNING: To reduce the risk of fire, electric shock or personal injury, mount to an outlet box marked "Acceptable for fan support of 35 lbs. (15.9 kg) or less," and use the screws provided with the outlet box. An outlet box commonly used for the support of lighting fixtures may not be acceptable for fan support and may need to be replaced. If in doubt, consult a qualified electrician.

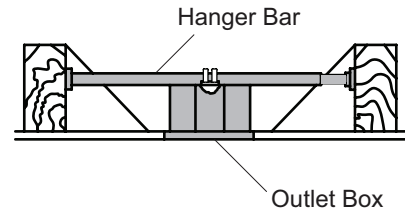
If your ceiling fan does not have an existing UL-listed mounting box, then install one using the following instructions:

- Disconnect the power by removing the fuses or turning off the circuit breakers.
- Secure the outlet box directly to the building structure. Use the appropriate fasteners and materials. The outlet box and its bracing must be able to fully support the weight of the moving fan (at least 35 lbs.). Do not use a plastic outlet box.

The illustrations below show three different ways to mount the outlet box.



NOTE: You may need a longer downrod to maintain proper blade clearance when installing on a steep, sloped ceiling. The maximum angle allowable is 30° away from horizontal.



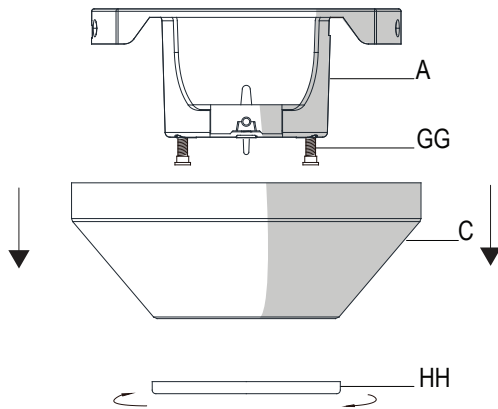
If the canopy (C) touches the ball/downrod assembly (B), then remove the decorative canopy bottom cover and turn the canopy (C) 180° before attaching the canopy (C) to the mounting plate.

To hang your fan where there is an existing fixture but no ceiling joist, you may need an installation hanger bar as shown above (available at any Home Depot store).

Assembly - Standard Ceiling Mount

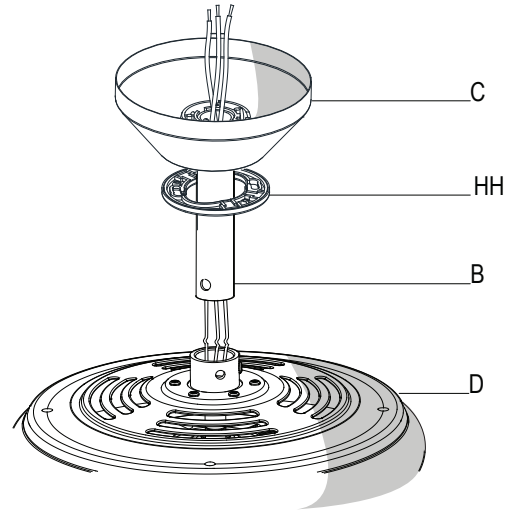
1 Preparing for standard mounting

- Remove the canopy bottom cover (HH) from the canopy (C) by turning the bottom cover counter-clockwise until it unlocks.
- Loosen the two canopy screws (GG) located in the bottom of the mounting bracket, and turn the canopy counter-clockwise to remove the mounting bracket (A) from the canopy (C).



2 Routing the wires

- Route the wires exiting the top of the fan motor assembly (D) through the center of the canopy bottom cover (HH).
- Make sure the opening of the canopy (C) is on top and insert the ball/downrod (B) through the canopy (C).
- Route the wires exiting the top of the fan motor assembly (D) through the downrod as shown.

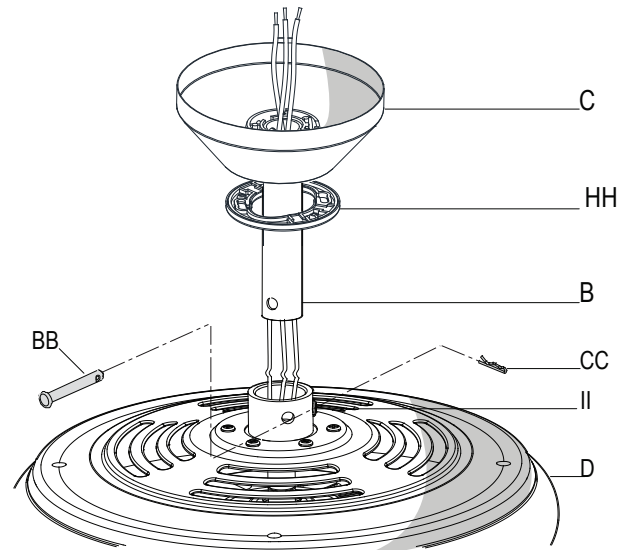


3 Assembling the fan



WARNING: Failure to properly install the locking pin (CC) could result in the fan becoming loose and possibly falling.

- Loosen, but do not remove, the setscrews (II) on the collar on top of the fan-motor assembly (D).
- Align the holes at the bottom of the ball/downrod assembly (B) with the holes in the collar on top of the fan-motor assembly (D).
- Carefully insert the hanger pin (BB) through the holes in the collar and ball/downrod assembly (B). Be careful not to jam the hanger pin (BB) against the wiring inside the ball/downrod assembly (B).
- Insert the locking pin (CC) through the hole near the end of the hanger pin (BB) until it snaps into its locked position.
- Re-tighten the setscrews (II) on the collar on top of the fan-motor assembly (D).



Assembly - Hanging the Fan

1 Attaching the fan to the electrical box

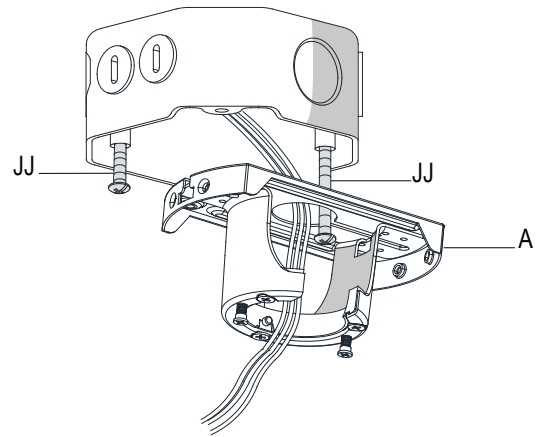


WARNING: To reduce the risk of fire, electric shock or personal injury, mount to an outlet box marked "Acceptable for fan support of 35 lbs. (15.9 kg) or less," and use the screws provided with the outlet box.



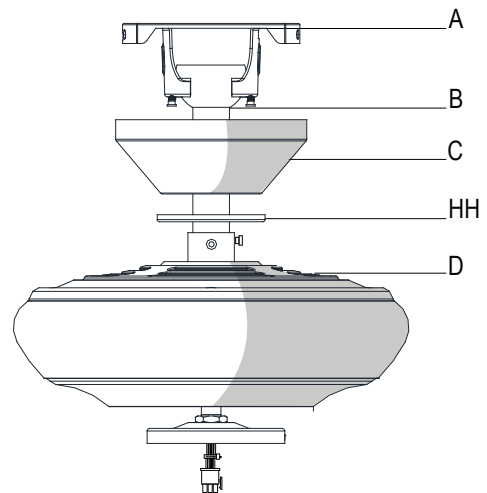
NOTE: The mounting bracket (A) is designed to slide into place on an outlet box with the outlet box screws (JJ).

- Pass the 120-Volt supply wires through the center hole in the slide-on mounting bracket (A).
- Install the slide-on mounting bracket (A) on the outlet box by sliding the slide-on mounting bracket (A) over the two screws (JJ) provided with the outlet box. If necessary, use leveling washers (not included) between the slide-on mounting bracket (A) and the outlet box. The flat side of the slide-on mounting bracket (A) should face toward the outlet box, as shown.
- Securely tighten the two mounting screws (JJ).



2 Hanging the fan

- Carefully lift the fan-motor assembly (D) up to the slide-on mounting bracket (A).
- Insert the ball portion of the ball/downrod assembly into the socket of the slide-on mounting bracket (A).
- Turn the ball/downrod assembly clockwise until it is seated with the tab of the slide-on mounting bracket (A) aligned with the slot in the ball.



Assembly - Hanging the Fan (continued)

3 Making the electrical connections



WARNING: Each wire nut supplied with this fan is designed to accept up to one 12-gauge house wire and two wires from the fan. If you have larger than 12-gauge house wiring or more than one house wire to connect to the fan wiring, consult an electrician for the proper size wire nuts to use.



WARNING: Remove the rubber motor stops on the bottom of the fan before installing the blades or testing the motor.

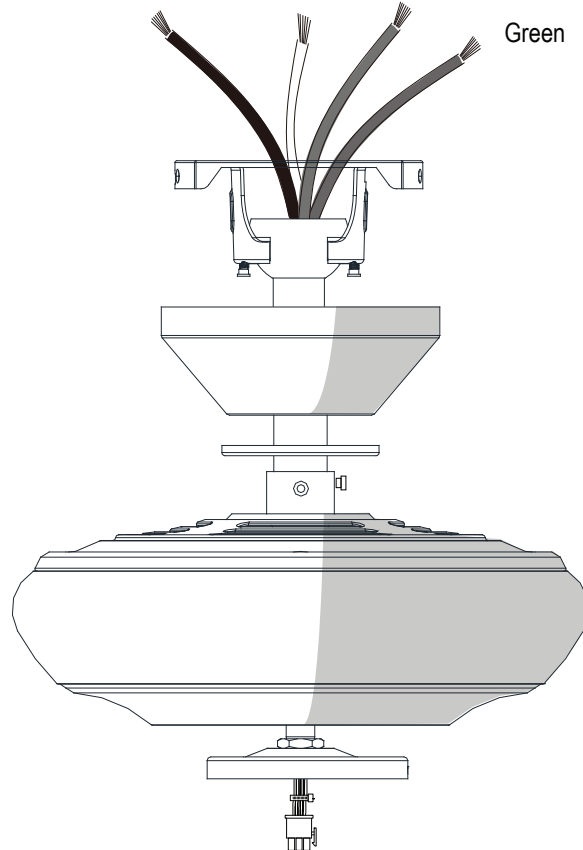
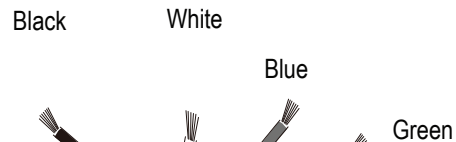
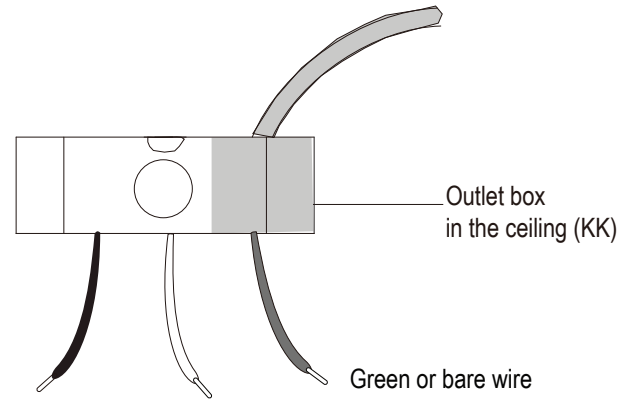


IMPORTANT: Use the plastic wire connectors (FF) supplied with your fan. Secure the connectors with electrical tape and ensure there are no loose strands or connections.



NOTE: The fan comes with 54 in. lead wires for use with an extended ball/downrod assembly. If using the 4.5 in. ball/downrod assembly (B) provided, you can cut the lead wires to your desired length (no shorter than 12 in.).

- The fan comes with 54 in. lead wires for use with an extended ball/downrod assembly. If using the 4.5 in. ball/downrod assembly (B) provided, you can cut the lead wires to your desired length (no shorter than 12 in.) This will make extra room in the canopy (C). If you do not wish to cut the wires, you will need to neatly wrap them.
- Connect the fan motor green wires to the household green or bare wire using a wire connecting nut (FF).
- Connect the fan motor white wire to the household white wire using a wire connecting nut (FF).
- Connect the fan motor black and blue wires to the household black wire using a wire connecting nut (FF).
- Secure each wire connecting nut (FF) using electrical tape.
- Turn the wire connecting nuts (FF) upward and push the wiring into the outlet box (KK).



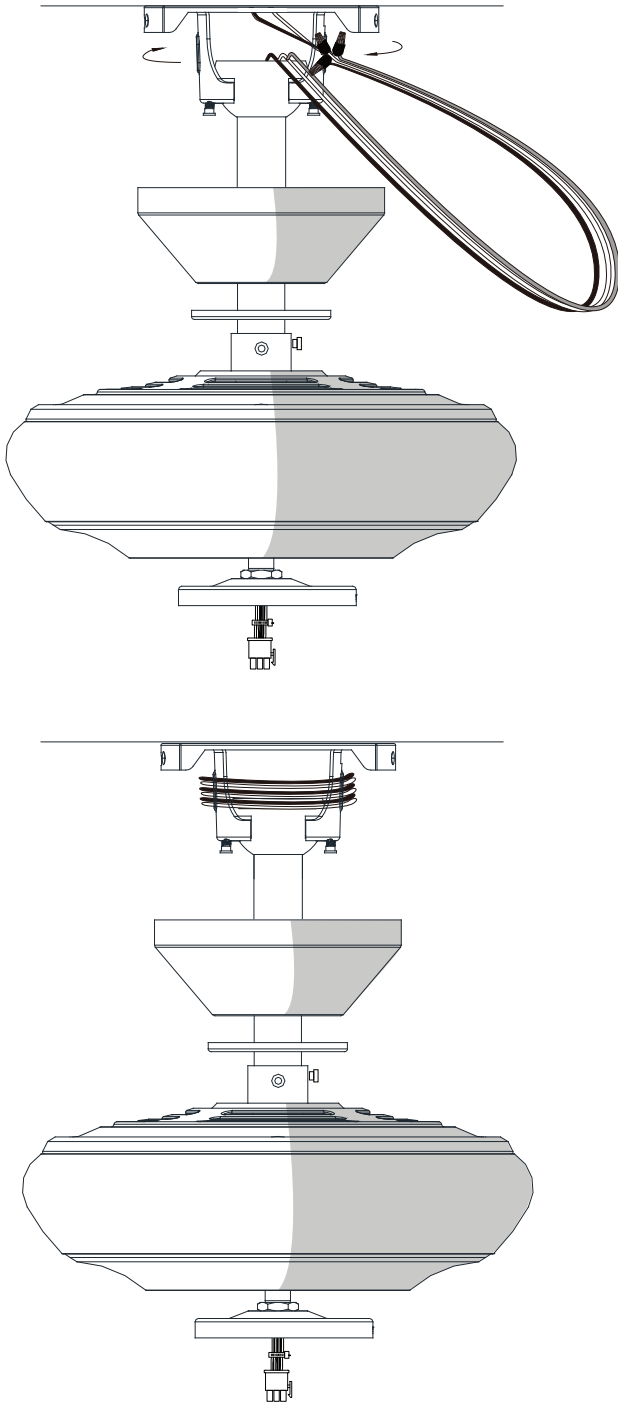
Assembly - Hanging the Fan (continued)

4 Wrapping the extra wire



NOTE: Follow this step **ONLY** if you did not cut the extra length off from the wires coming from the ceiling fan.

- Gently wrap the excess wire around the mounting bracket.
- Secure with electrical tape.

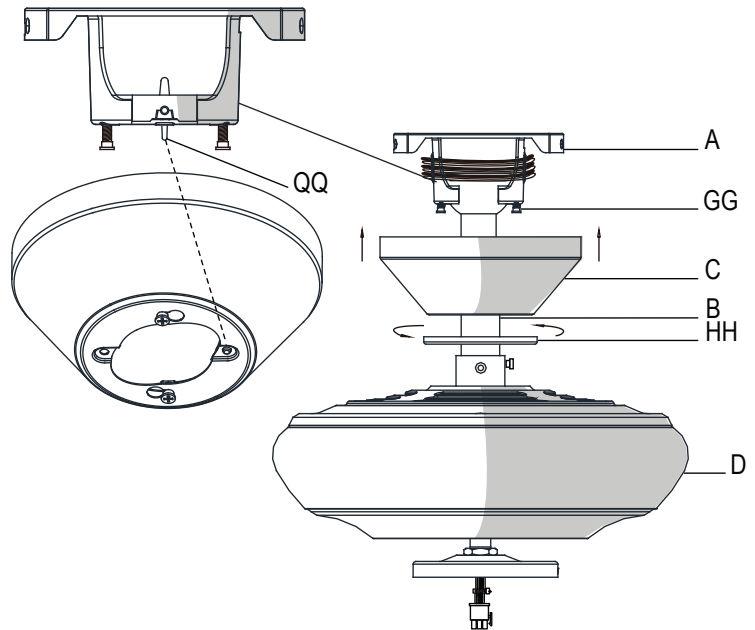


5 Mounting the fan-motor assembly (standard mount)



WARNING: When using the standard ball/downrod mounting, the tab in the ring at the bottom of the mounting bracket must rest in the groove of the hanger ball. Failure to properly seat the tab in the groove could cause damage to the wiring.

- Align the locking slots of canopy (C) with the two screws (GG) and alignment post (QQ) in the mounting bracket (A).
- Push up the canopy (C) and turn clockwise until the alignment post (QQ) engages the round hole and the screws (GG) engage to the key slots.
- Firmly tighten the two mounting screws (GG).
- Install the decorative bottom cover (HH) by aligning the covers slots with screws in the bottom of the canopy (C). Rotate the bottom cover clockwise to lock in place.



Assembly - Attaching the Fan Blades

1 Fastening the blade brackets to the motor

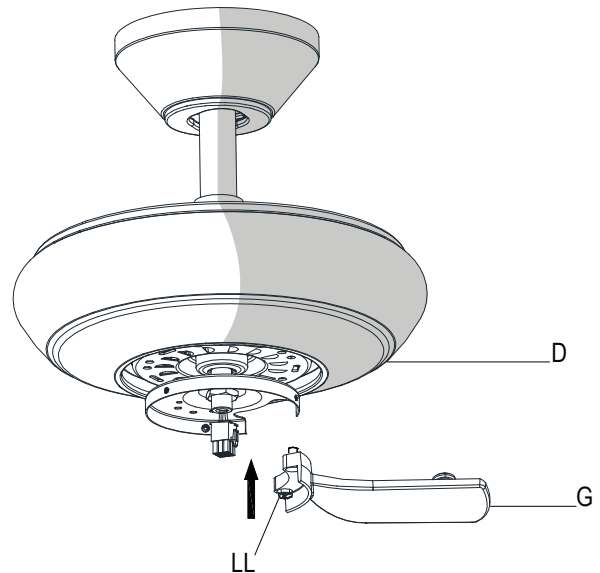


WARNING: Remove the rubber motor stops on the bottom of the fan before installing the blades or testing the motor.



NOTE: Your fan features revolutionary advancements for quick and easy blade installation, including an alignment post and captive blade bracket screws.

- Fasten the blade brackets (G) to the fan-motor assembly (D) by inserting the alignment post into the slot on the bottom of the motor and tightening the pre-installed blade bracket screws (LL).
- Repeat this step for the remaining blade assemblies.

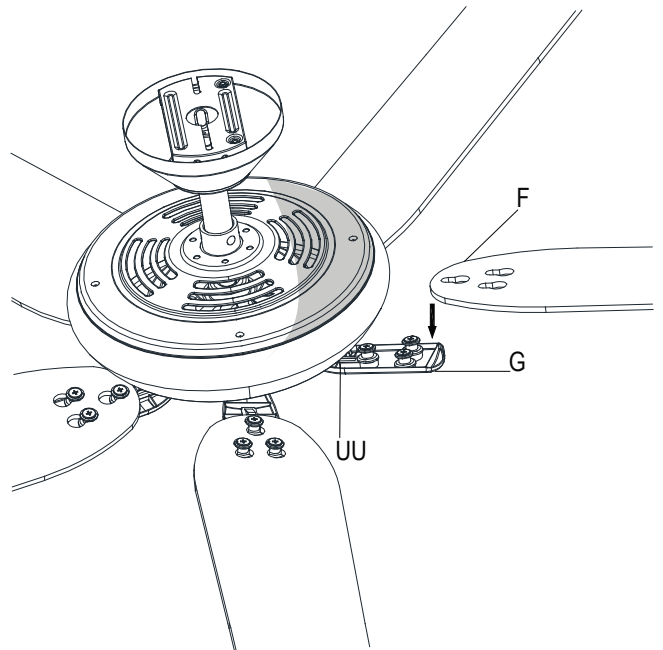


2 Attaching the blades to the blade brackets



NOTE: Your fan blades are reversible. Select the blade side finish which best accentuates your decor.

- Mount the fan blade (F) to the blade bracket (G) by aligning the three key-slot holes in the blade (F) with the three posts on the top of the blade bracket (G).
- Hold the blade (F) with both hands close to the blade bracket (G) down firmly. Ensure the key-slot holes are properly seated on the blade bracket (G) posts.
- While still holding the blade (F) down with both hands, firmly slide the blade (F) until it engages in the locking mechanism (UU). Make sure the locking mechanism (UU) at the rear of the blade bracket (G) springs upward and butts against the edge of the blade (F), indicating a secure connection.
- Visually inspect the top of the blade bracket (G) to ensure the locking mechanism is securely in place.
- Repeat this procedure for the remaining blades (F).



Assembly - Attaching the Lights

1 Attaching the light kit fitter assembly



IMPORTANT: It is critical to attach the switch cup using the quick connector. The fan will not operate unless the light kit is connected to the fan.

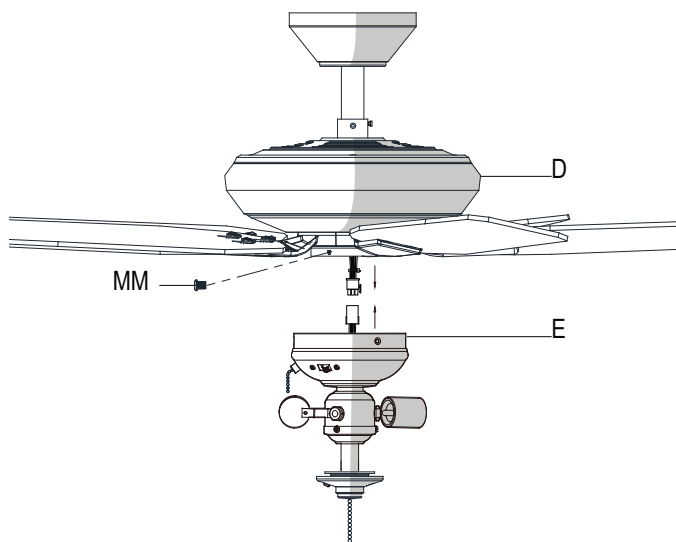


CAUTION: To reduce the risk of electric shock, disconnect the electrical supply circuit to the fan before installing the light fixture.



NOTE: Notice the location of the fan's slide switch. This is the switch used to change the fan's directional rotation. For more information on the operation of this switch, see *Operating Your Fan* on page 14.

- Remove and save the three light kit mounting screws (MM) on the black bracket below the fan-motor assembly (D).
- Connect the wires from the light kit fitter assembly (E) to the wires from the fan motor assembly (D) by connecting the molded adaptor plugs together. Carefully tuck all wires and splices into the switch cup.
- Align the three holes in the black bracket below fan motor assembly (D) with the three holes in the switch cup of the light kit fitter assembly (E). Position the light kit fitter assembly (E) and re-install the three screws (MM) that were removed in first step to secure the light kit fitter assembly (E).



2 Installing the bulbs and glass bowl

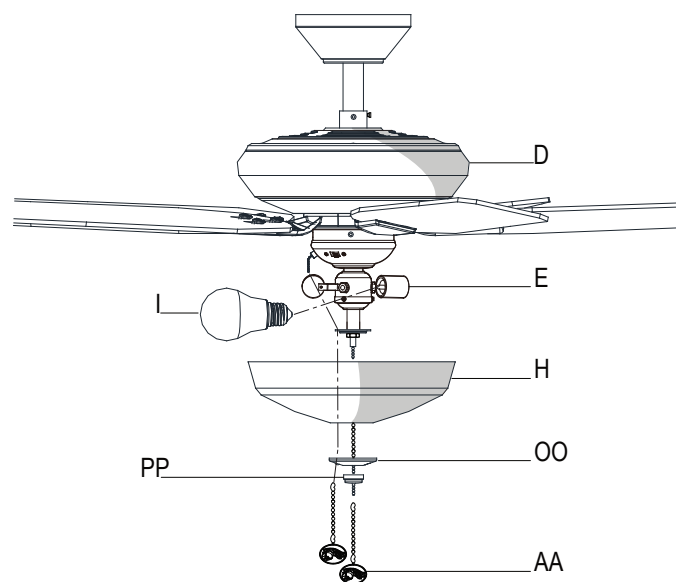


WARNING: Allow the glass bowl to cool completely before removing.



CAUTION: Make sure the power is off before attaching or removing the glass bowl.

- Remove the finial (PP) and the bottom cover (OO) from the threaded nipple of the light kit fitter assembly (E).
- With the power off, install the three LED bulbs (I) by screwing them into the light bulb sockets.
- Position the glass bowl (H), re-install the bottom cover (OO) over the threaded nipple, and direct the fan pull chain through the side hole of the bottom cover (OO).
- Re-install the finial (PP) over the threaded nipple and direct the light pull chain through the hole of the finial (PP), and tighten the finial (PP) securely.
- Attach the pull chain extensions (AA) provided to the light pull chain and fan pull chain.



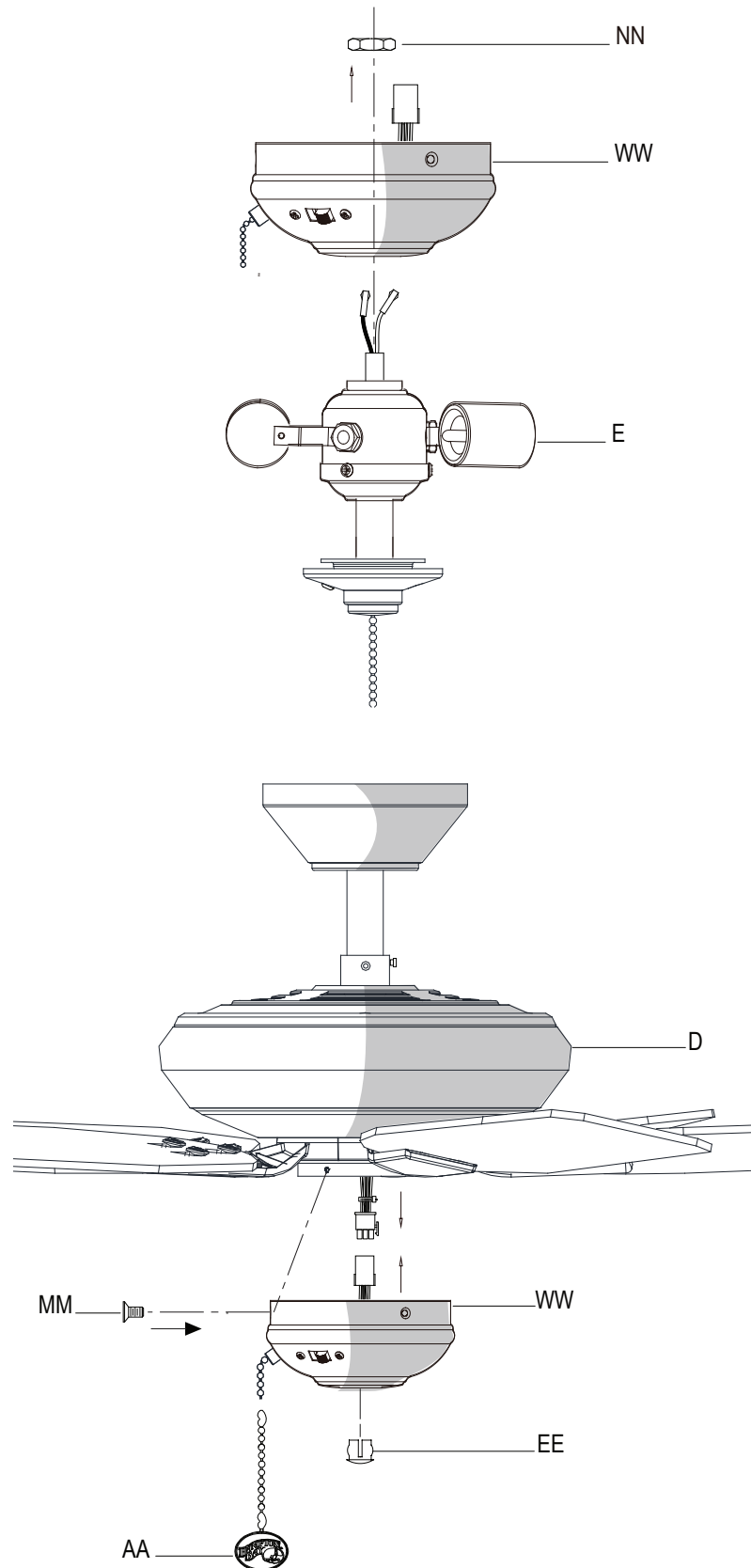
Assembly - Assembling the Fan Without the Light Kit

1 Assembling the fan without the light kit



IMPORTANT: It is critical to attach the switch cup using the quick connector. The fan will not operate unless the light kit is connected to the fan.

- ❑ Remove the three light kit mounting screws (MM) on the black bracket below the fan-motor assembly (D).
- ❑ In order to use the fan without the light kit, remove the switch cup (WW) from the top of the light kit fitter assembly (E) by removing the center hex nut (NN) inside the switch cup (WW), and then thread the switch cup (WW) off the threaded nipple on the top of the light kit fitter assembly (E).
- ❑ Press the plastic plug (EE) into the center hole of the switch cup (WW).
- ❑ Connect the quick connect couplers. (The fan will not start without this connection).
- ❑ Position the switch cup (WW) onto the black bracket and reinstall the light kit mounting screws (MM).



Operation

OPERATING YOUR FAN

Turn on the power and check the operation of the fan. The fan pull chain controls the fan speed as follows:

1 pull - High, 2 pulls - Medium, 3 pulls - Low, 4 pulls - off

The appropriate speed settings for warm or cool weather depends on factors such as the room size, ceiling height, and number of fans.

The slide switch (YY) controls the direction of the blades: forward (switch left) or reverse (switch right).

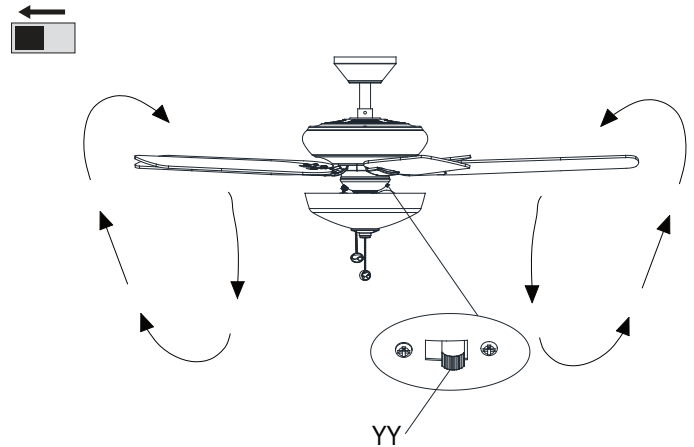


NOTE: Wait for the fan to stop before reversing the direction of the blade rotation.

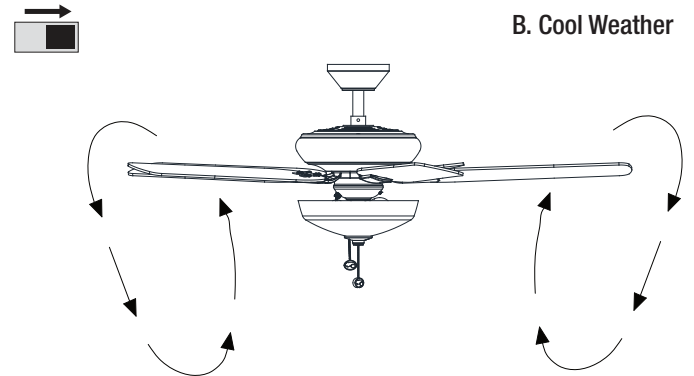
A. Warm weather - (Forward) A downward airflow creates a cooling effect. This allows you to set your air conditioner on a higher setting without affecting your comfort.

B. Cool weather - (Reverse) An upward airflow moves warm air off of the ceiling. This allows you to set your heating unit on a lower setting without affecting your comfort.

A. Warm Weather



B. Cool Weather



Care and Cleaning



WARNING: Make sure the power is off before cleaning your fan.

- Because of the fan's natural movement, some connections may become loose. Check the support connections, brackets, and blade attachments twice a year. Make sure they are secure. It is not necessary to remove the fan from the ceiling.
- Clean your fan periodically to help maintain its new appearance over the years. Do not use water when cleaning, as this could damage the motor or the wood, or possibly cause an electrical shock. Use only a soft brush or lint-free cloth to avoid scratching the finish. The plating is sealed with a lacquer to minimize discoloration or tarnishing.
- You can apply a light coat of furniture polish to the wood for additional protection and enhanced beauty. Cover small scratches with a light application of shoe polish.
- You do not need to oil your fan. The motor has permanently-lubricated sealed ball bearings.

Troubleshooting

Problem	Solution
The fan will not start.	<ul style="list-style-type: none"><input type="checkbox"/> Check the main and branch circuit fuses or breakers.<input type="checkbox"/> Check the line wire connections to the fan and switch wire connections in the switch housing.
The fan is noisy.	<ul style="list-style-type: none"><input type="checkbox"/> Ensure all motor housing screws are snug.<input type="checkbox"/> Ensure the screws that attach the fan blade bracket to the motor hub are tight.<input type="checkbox"/> Ensure the wire nut connections are not rattling against each other or the interior wall of the switch housing.<input type="checkbox"/> Allow a 24-hour "breaking in" period. Most noises associated with a new fan disappear during this time.<input type="checkbox"/> If you are using the Ceiling Fan light kit, ensure the screws securing the glassware are tight. Check that the light bulbs are also secure.<input type="checkbox"/> Ensure the canopy is a short distance from the ceiling. It should not touch the ceiling.<input type="checkbox"/> Ensure your outlet box is secure and rubber isolator pads were used between the mounting plate and outlet box.
The fan wobbles.	<ul style="list-style-type: none"><input type="checkbox"/> Check that all blade and blade arm screws are secure.<input type="checkbox"/> Most fan wobble problems are caused when blade levels are unequal. Check this level by selecting a point on the ceiling above the tip of one of the blades. Measure from a point on the center of each blade to the point on the ceiling. Measure this distance. Rotate the fan until the next blade is positioned for measurement. Repeat for each blade. Any measurement deviation should be within 1/8 in. Run the fan for ten minutes. If the fan continues to wobble please contact Customer Service and a balancing kit will be sent to you at no charge.



Questions, problems, missing parts? Before returning to the store,
call Hampton Bay Customer Service
8 a.m. - 7 p.m., EST, Monday-Friday, 9 a.m. - 6 p.m., EST Saturday

1-855-HD-HAMPTON

HAMPTONBAY.COM

Retain this manual for future use.



Artículos núm. 1002 263 777, 1002 263 786

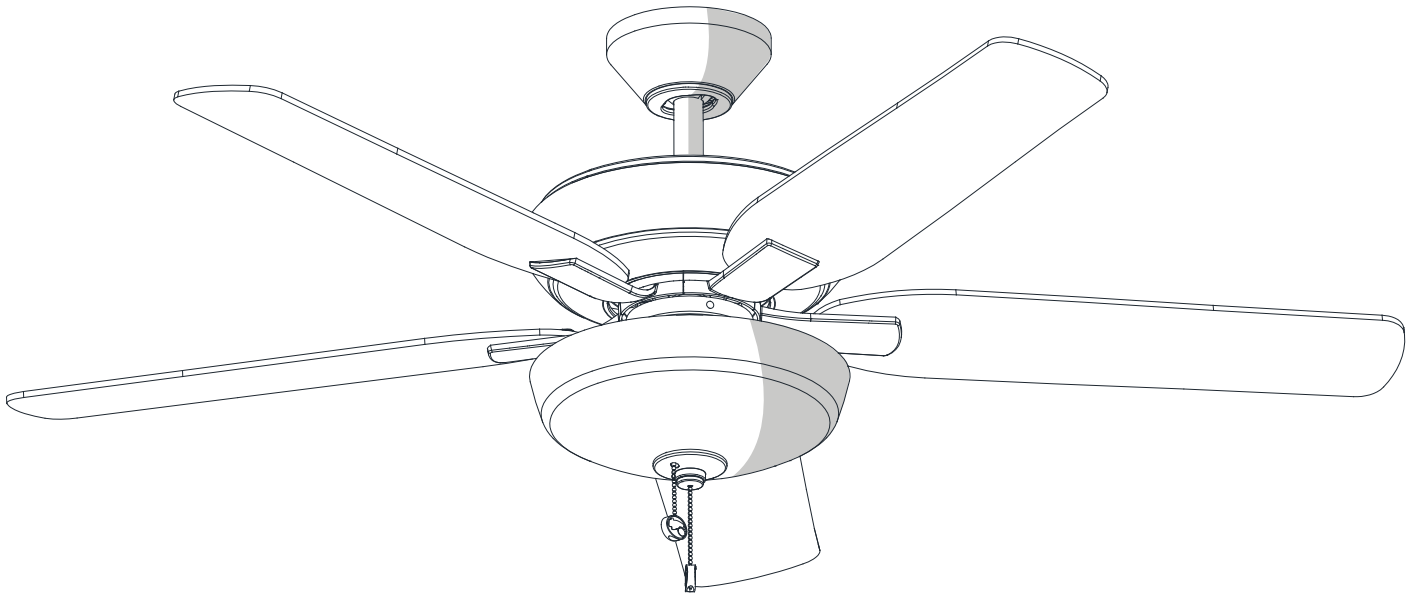
Modelos núm. 57269, 57261

Modelo aprobado por UL

núm. 52-COPY

GUÍA DE USO Y MANTENIMIENTO

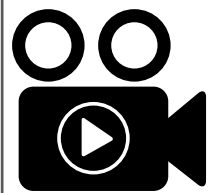
VENTILADOR DE TECHO HOLLY SPRINGS, DE 1.3 M



¿Preguntas, problemas o piezas faltantes? Antes de devolver a la tienda, llama al Servicio al Cliente de The Home Depot, de lunes a viernes, entre 8:00 a.m. y 7:00 p.m. (Este), y los sábados de 9 a.m. a 6 p.m. (Este).

01 855 HD HAMPTON

HAMPTONBAY.COM



Para ver un video instructivo sobre cómo instalar este producto:

1. Ir a www.homedepot.com e introduzca el artículo o el número de modelo, que se encuentra en la part superior esquina derecha de la portada de este manual de instrucciones, en el campo de búsqueda.
2. Haga clic en su producto de la lista de resultados de búsqueda y hacer clic en el enlace del video en la sección "Descripción del producto".

GRACIAS POR TU COMPRA

Apreciamos la confianza que has depositado en Hampton Bay al comprar este ventilador de techo. Nos esforzamos continuamente en crear productos de calidad diseñados para mejorar tu hogar. Visítanos por Internet para ver nuestra línea completa de productos disponibles con vistas a satisfacer las necesidades de mejoras de tu hogar. ¡Gracias por elegir Hampton Bay!

Tabla de contenido

Tabla de contenido	2	Ensamblaje.....	7
Información de seguridad.....	2	Funcionamiento	14
Garantía	3	Mantenimiento y limpieza.....	15
Preinstalación	3	Solución de problemas	15
Instalación.....	6		

Información de seguridad

LEE Y GUARDA ESTAS INSTRUCCIONES

1. Para disminuir el riesgo de descarga eléctrica, asegúrate de apagar la electricidad en el cortacircuitos o en la caja de fusibles antes de comenzar.
2. Todo el cableado tiene que cumplir con el Código Nacional de Electricidad ANSI/NFPA 70-1999 y con los códigos locales de electricidad. La instalación eléctrica debe ser hecha por un electricista certificado y calificado.
3. La caja eléctrica y la estructura de soporte tienen que montarse de forma segura para poder sostener de manera fiable 15.9 kg. Usa solo cajas eléctricas marcadas como aprobadas por UL "para sostener ventiladores de 15.9 kg o menos".
4. El ventilador tiene que montarse con separación mínima de 2.1 m entre el borde posterior de las aspas y el piso.
5. No muevas el interruptor de reversa mientras las aspas del ventilador estén en movimiento. Tienes que apagar el ventilador y esperar a que se detengan las aspas antes de ponerlas a girar en sentido contrario.
6. No coloques objetos en la trayectoria de las aspas.
7. Para evitar lesiones físicas o daños al ventilador y otros artículos, ten cuidado al limpiarlo o al trabajar cerca de él.
8. Los diagramas eléctricos son sólo para referencia. Los kits de luces no empaquetados con el ventilador tienen que estar aprobados por UL y marcados como apropiados para usar con el modelo de ventilador que estás instalando. Los interruptores tienen que estar clasificados por UL como de uso general. Consulta las instrucciones adjuntas a los kits de luces e interruptores para ensamblar bien.
9. Después de concluir las conexiones eléctricas, debes voltear los conductores empalmados hacia arriba y meterlos con cuidado en la caja eléctrica. Los cables deben estar separados con el cable a tierra y el conductor a tierra del equipo a un lado de la caja eléctrica.
10. Todos los tornillos de fijación deben ser verificados y ajustados donde sea necesario antes de la instalación.



ADVERTENCIA: Para reducir el riesgo de lesiones personales, no dobles los soportes de las aspas (también llamados "bridas") durante o después de la instalación. No coloques objetos en la trayectoria de las aspas.



ADVERTENCIA: Quita los tapones de goma del motor en la parte inferior del ventilador antes de instalar las aspas o verificar el motor.



ADVERTENCIA: Para reducir el riesgo de incendio o descarga eléctrica, no utilices este ventilador con ningún dispositivo de control de velocidad de estado sólido.



ADVERTENCIA: Para evitar una posible descarga eléctrica, desconecta la electricidad de la caja de fusibles principal antes de realizar el cableado. Si crees que no tienes suficiente conocimiento o experiencia sobre cableado eléctrico, contacta a un electricista certificado.



ADVERTENCIA: Los diagramas eléctricos son solo para referencia. Cualquier kit de luces opcional debe estar aprobado por UL y marcado como adecuado para usar con este ventilador.



ADVERTENCIA: Para reducir el riesgo de incendio, descarga eléctrica o lesiones personales, instala en una caja eléctrica clasificada como "apropiada para sostener ventiladores de 15.9 kg o menos" y usa los tornillos que vienen con ella.

Este equipo ha sido probado y se ha verificado que cumple con los límites para un dispositivo digital clase B, conforme a la sección 15 de las reglas de la FCC. Estos límites se han diseñado para proporcionar una protección razonable contra la interferencia perjudicial en una instalación residencial. Este equipo genera, utiliza y puede irradiar energía de radiofrecuencia y, si no se instala y se usa de acuerdo con las instrucciones, puede causar interferencia perjudicial a las comunicaciones de radio. Sin embargo, no se garantiza que no se producirán interferencias en una instalación en especial. Si este equipo genera una interferencia perjudicial para la recepción de radio o televisión, que se puede determinar apagando y encendiendo el equipo, se recomienda al usuario que intente corregir la interferencia con una o más de las siguientes medidas:

- Reoriente o reubique la antena de recepción.
- Aumente la separación entre el equipo y el receptor.
- Conecte el equipo a un tomacorriente de un circuito distinto al que usa el receptor.
- Solicite ayuda al concesionario o a un técnico con experiencia en radio/TV.

PRECAUCIÓN:

Los cambios o modificaciones sin aprobación expresa del responsable de este dispositivo podrían anular el derecho del usuario a operar el equipo.

Este dispositivo cumple con la Parte 15 de las Normas de la FCC. Su operación está sujeta a las dos condiciones siguientes: (1) este dispositivo no debe causar interferencia dañina, y (2) este dispositivo tiene que aceptar cualquier interferencia recibida, incluyendo aquella que pueda afectar su funcionamiento.

Garantía

El proveedor garantiza de por vida, a partir de la fecha en que el comprador original lo adquiere, que el motor del ventilador no presenta defectos de fabricación ni de material al momento en que es enviado desde la fábrica. El proveedor también garantiza por el período de un año, a partir de la fecha de compra por el comprador original, que las demás piezas del ventilador, sin incluir ninguna aspa de vidrio o acrílico, no presentarán ningún defecto de fabricación o de material en el momento de la salida de la fábrica. Acordamos reparar todos los defectos del tipo antes mencionado, sin cargo alguno o, a nuestra discreción, reemplazar el producto por un modelo de igual calidad o superior si el producto es devuelto. Para obtener un servicio de garantía, debe presentar una copia del recibo como comprobante de compra. Todos los costos de retiro y reinstalación del producto son su responsabilidad. Los daños a cualquiera de las piezas como resultado de accidentes, instalación o uso incorrectos, o debidos a la instalación de cualquier accesorio, no están cubiertos bajo esta garantía. Debido a que las condiciones climáticas pueden variar, esta garantía no cubre ningún cambio en el acabado en bronce, incluyendo óxido, perforación, corrosión, manchas o descascamiento. Los acabados en bronce de este tipo tienen una vida útil más prolongada cuando se protegen de las condiciones climáticas cambiantes. Es normal cierta "oscilación" y no se considerará una falla. Cualquier servicio técnico realizado por personas no autorizadas invalidará la garantía. No hay ninguna otra garantía expresa. Mediante la presente, Hampton Bay se exime de cualquier garantía, incluyendo pero sin limitarse a aquellas de comercialización e idoneidad para un fin particular, de acuerdo a lo contemplado por la ley. La duración de cualquier garantía implícita que no se pueda eximir está limitada al período de tiempo especificado en la garantía explícita. Algunos estados no permiten limitaciones en la duración de la garantía implícita, por consiguiente, la limitación anterior puede no aplicarse a su caso. El minorista no será responsable por daños directos, indirectos o especiales que resulten o deriven del uso o rendimiento del producto excepto en casos en que lo estipule la ley. Algunos estados no permiten la exclusión o limitación de daños directos o indirectos, por lo que la limitación o exclusión anterior podría no aplicarse a su caso. Esta garantía le otorga derechos legales específicos y es posible que también tenga otros derechos que varían de un estado a otro. Esta garantía sustituye todas las garantías anteriores. Los costos de envío de cualquier devolución de productos hecha como parte de una reclamación de garantía están a cargo del cliente.

Comuníquese con el Equipo de Servicio al Cliente al 1-855-HD-HAMPTON o visite www.HamptonBay.com

Preinstalación

ESPECIFICACIONES

Tamaño	Velocidad	Voltios	Amperes	Vatios	RPM	CFM	Peso neto	Peso bruto	Pies cúbicos
1.3 m	Baja	120	0.21	11	63	1717	19.40 lb (8.8 kg)	22.49 lb (10.2 kg)	2.05 pies ³
	Media		0.35	28	105	2885			
	Alta		0.51	61	165	4356			



NOTA: Estas medidas son aproximadas. No incluyen ni el amperaje ni el vataje consumido por el kit de luces.



HERRAMIENTAS NECESARIAS



Destornillador
Phillips



Destornillador
plano



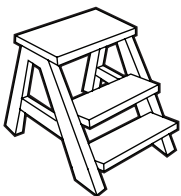
Llave
ajustable



Cinta de
electricista



Cortacables /
pelacables



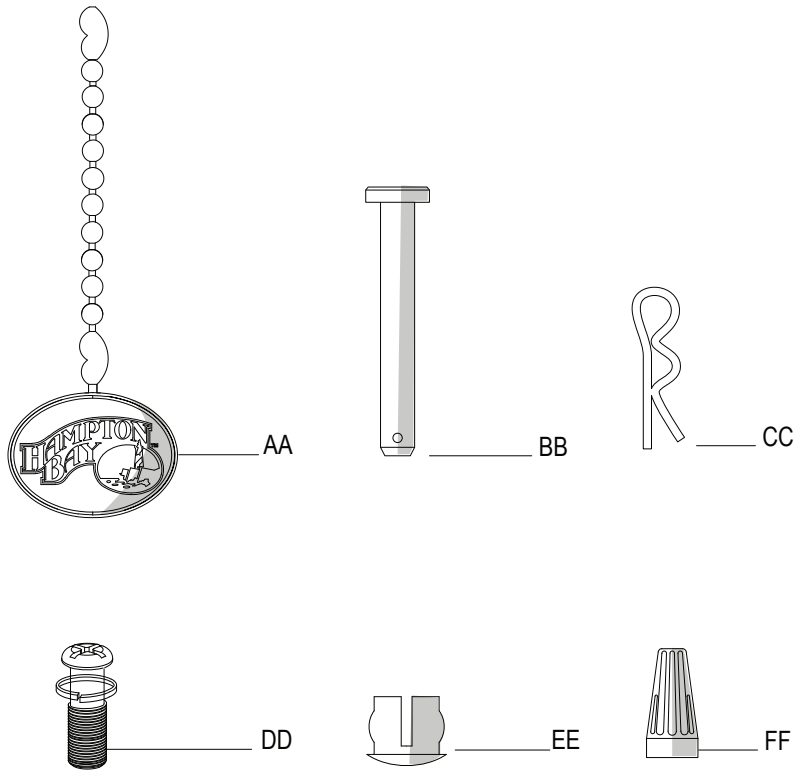
Escalera de tijera

Preinstalación (continuación)

HERRAJES INCLUIDOS



NOTA: Los herrajes no se muestran en tamaño real.

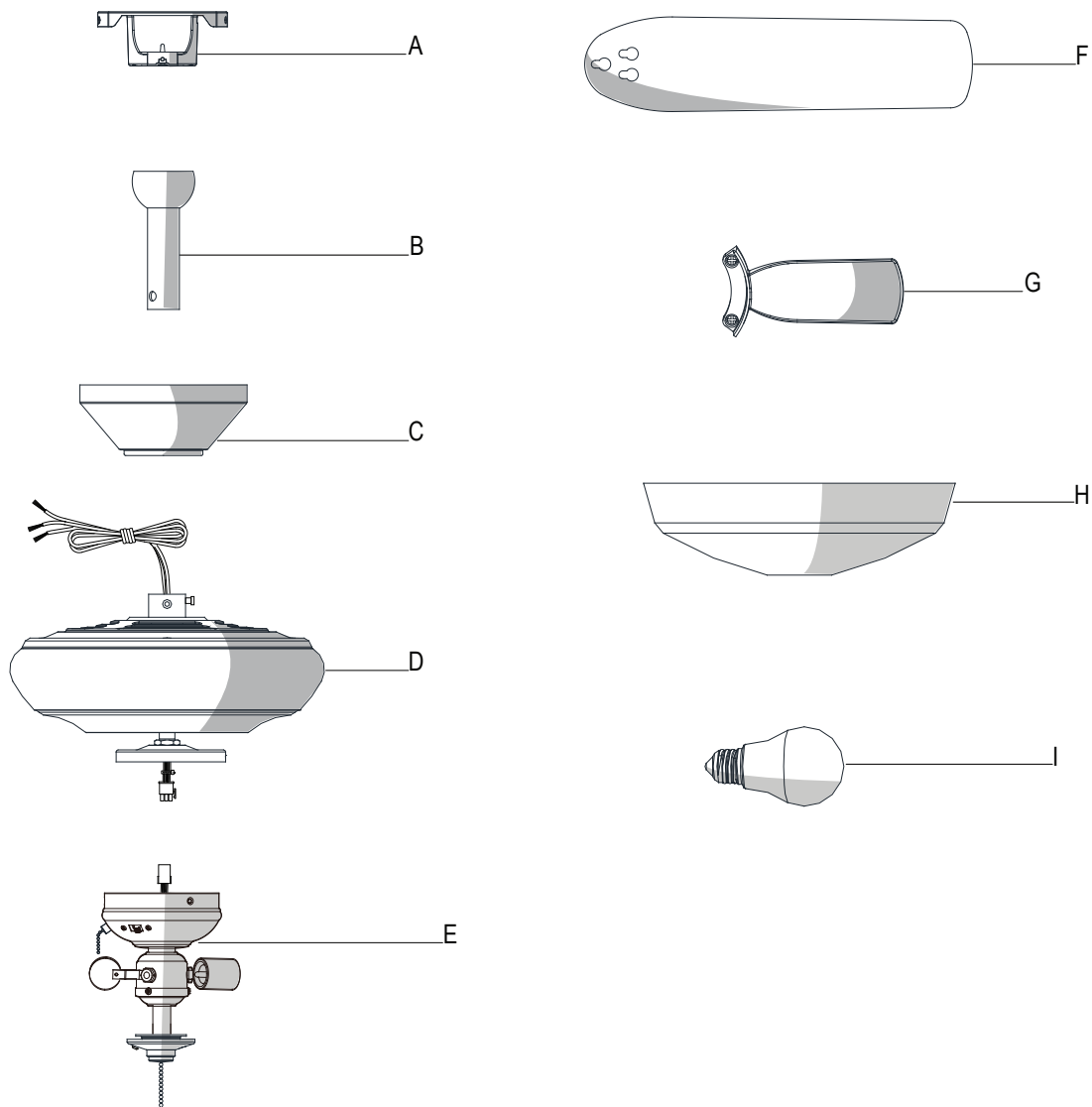


Pieza	Descripción	Cantidad
AA	Interruptor de cadena	2
BB	Pasador de soporte	1
CC	Pasador de cierre	1

Pieza	Descripción	Cantidad
DD	Tornillo adicional para soporte de aspas	1
EE	Enchufe de plástico (para utilizar con el ventilador sin kit de luces)	1
FF	Tuerca para conectar cables	3

Preinstalación (continuación)

CONTENIDO DEL PAQUETE



Pieza	Descripción	Cantidad
A	Soporte de montaje deslizante (dentro de la cubierta)	1
B	Conjunto de tubo bajante/bola	1
C	Cubierta	1
D	Conjunto del motor y el ventilador	1
E	Conjunto de soporte del kit de luces	1

Pieza	Descripción	Cantidad
F	Aspa	5
G	Soporte de aspa (con tornillos preinstalados)	5
H	Tazón de vidrio	1
I	Bombillas LED (máximo de 9.5 W)	3



IMPORTANTE: Este producto o sus componentes están protegidos por una o más de las siguientes patentes de los EE. UU.: 5,947,436; 5,988,580; 6,010,110; 6,046,416, 6,210,117 y otras patentes pendientes.

Instalación

OPCIONES DE MONTAJE

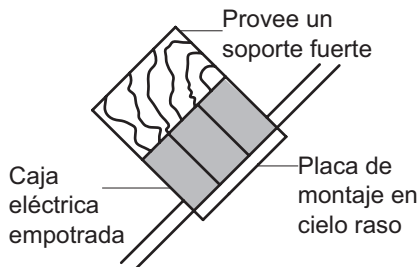
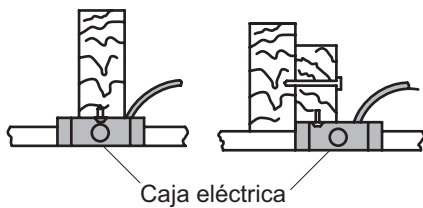
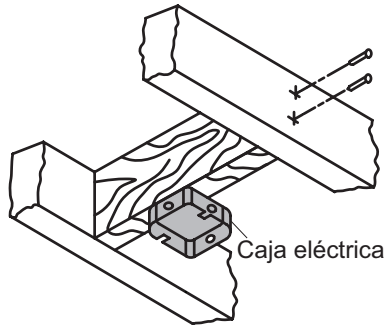


ADVERTENCIA: Para reducir el riesgo de incendio, descarga eléctrica o lesiones personales, instala en una caja eléctrica clasificada como "apropiada para sostener ventiladores de 15.9 kg o menos" y usa los tornillos de montaje que vienen con ella. Las cajas eléctricas utilizadas comúnmente para el soporte de lámparas pudieran no servir como soporte de ventilador y tal vez deban reemplazarse. En caso de duda, consulta a un electricista calificado.

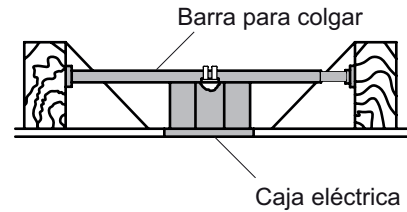
Si tu ventilador de techo no tiene una caja de montaje aprobada por UL, instala una siguiendo las instrucciones a continuación:

- Desconecta la energía retirando los fusibles o apagando los cortacircuitos.
- Asegura la caja eléctrica directamente a la estructura de la edificación. Usa sujetadores y materiales apropiados. La caja eléctrica y su soporte tienen que poder sostener el peso completo del ventilador en movimiento (al menos 15.9 kg). No uses una caja eléctrica de plástico.

Las ilustraciones a continuación muestran tres formas distintas de montar la caja eléctrica.



NOTA: Tal vez necesites un tubo bajante más largo para mantener la altura mínima adecuada de las aspas, al instalar el ventilador en un techo inclinado. El ángulo máximo permitido es 30° con respecto a la horizontal.



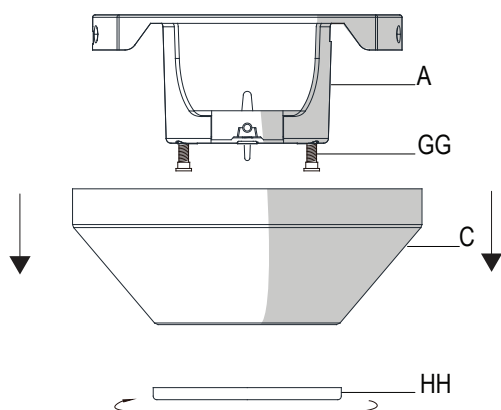
Si la cubierta (C) toca el conjunto del tubo bajante/bola (B), retira la tapa inferior decorativa de la cubierta y gira esta última 180° antes de fijarla a la placa de montaje.

Para colgar el ventilador donde haya una lámpara pero ninguna viga de techo, tal vez necesites una barra de instalación colgante como se muestra más arriba (disponible en cualquier tienda de The Home Depot).

Ensamblaje - Montaje estándar en el cielo raso

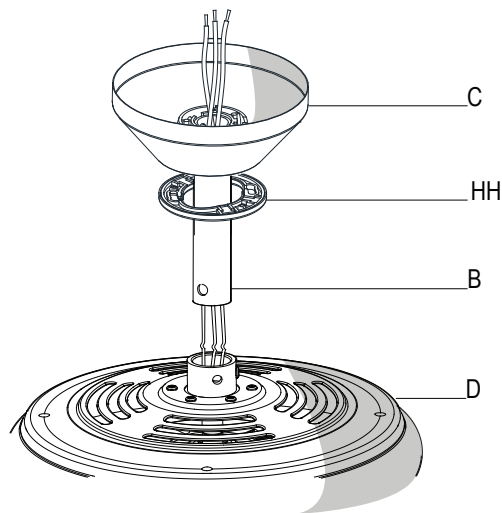
1 Preparación para montaje estándar

- Retira de la cubierta (C) su tapa inferior (HH) girando esta última hacia la izquierda hasta liberarla.
- Afloja los dos tornillos de la cubierta (GG) ubicados en la parte inferior del soporte de montaje y gira la cubierta hacia la izquierda para quitar su soporte de montaje (A) de la cubierta (C).



2 Disposición de los cables

- Inserta los cables que salen por la parte superior del conjunto del motor y el ventilador (D) a través del centro de la tapa inferior de la cubierta (HH).
- Asegúrate de que la abertura de la cubierta (C) esté sobre la parte superior e inserta el tubo bajante/bola (B) a través de aquella (C).
- Inserta los cables que salen por la parte superior del conjunto del motor y el ventilador (D) a través del tubo bajante, como se muestra.

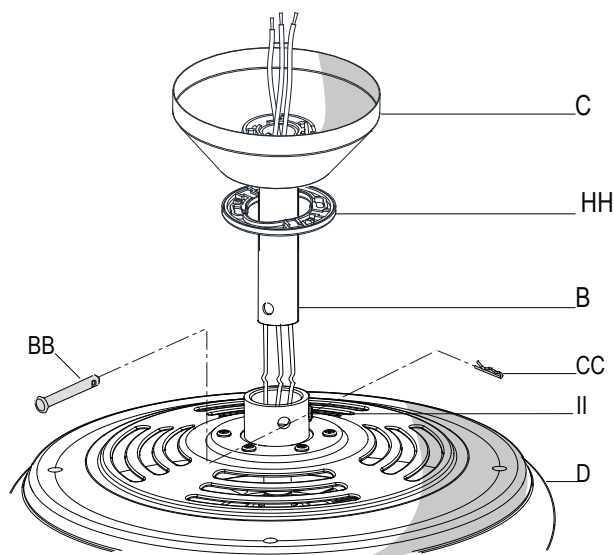


3 Cómo ensamblar el ventilador



ADVERTENCIA: Si no instalas bien el pasador de cierre (CC) es posible que el ventilador se afloje y caiga.

- Afloja, sin quitarlos, los tornillos (II) del collarín en la parte superior del conjunto del motor del ventilador (D).
- Alinea los orificios en la parte inferior del conjunto del tubo bajante/bola (B) con los orificios en el collarín de la parte superior del conjunto del motor del ventilador (D).
- Inserta con cuidado el pasador de soporte (BB) a través de los orificios del collarín y del conjunto del tubo bajante/bola (B). Ten cuidado de no forzar el pasador de soporte (BB) contra el cableado dentro del conjunto del tubo bajante/bola (B).
- Inserta el pasador de cierre (CC) en el orificio cercano al extremo del pasador de soporte (BB) hasta que quede encajado en su posición.
- Vuelve a apretar los tornillos (II) del collarín en la parte superior del conjunto del motor del ventilador (D).



Ensamblaje - Cómo colgar el ventilador

1 Cómo fijar el ventilador a la caja eléctrica

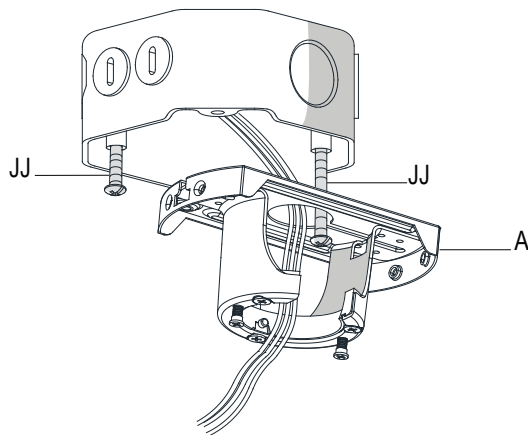


ADVERTENCIA: Para reducir el riesgo de incendio, descarga eléctrica o lesiones personales, instala en una caja eléctrica clasificada como "apropiada para sostener ventiladores de 15.9 kg o menos" y usa los tornillos de montaje que vienen con ella.



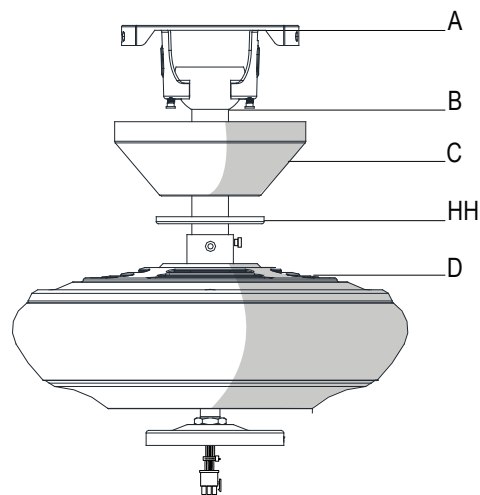
NOTA: El soporte de montaje (A) está diseñado para deslizarse en su lugar sobre una caja eléctrica con los tornillos de esta (JJ).

- Pasa los cables de suministro de 120 V a través del orificio central en el soporte de montaje deslizante (A).
- Instala el soporte de montaje deslizante (A) sobre la caja eléctrica deslizando el soporte (A) sobre los dos tornillos (JJ) suministrados con la caja. Si es necesario, usa arandelas niveladoras (no se incluyen) entre el soporte de montaje deslizante (A) y la caja eléctrica. El lado plano del soporte de montaje deslizante (A) debe mirar hacia la caja eléctrica, como se muestra.
- Ajusta firmemente los dos tornillos de montaje (JJ).



2 Cómo colgar el ventilador

- Con cuidado, alza el conjunto del motor y el ventilador (D) hasta el soporte de montaje deslizante (A).
- Inserta la bola del conjunto de tubo bajante/bola en el casquillo del soporte de montaje deslizante (A).
- Gira el conjunto de tubo bajante/bola hacia la derecha hasta que quede encajado con la pestaña del soporte de montaje deslizante (A) alineada con la ranura de la bola.



Ensamblaje - Cómo colgar el ventilador (continuación)

3 Cómo hacer las conexiones eléctricas



ADVERTENCIA: Cada tuerca para cable incluida con este ventilador está diseñada para sostener cables domésticos de calibre 12 como máximo y dos cables del ventilador. Si tu cableado doméstico tiene calibre mayor de 12 o más de un cable para conectar al cableado del ventilador, consulta a un electricista para saber el tamaño adecuado de las tuercas a usar para los cables.



ADVERTENCIA: Quita los tapones de goma del motor en la parte inferior del ventilador antes de instalar las aspas o verificar el motor.

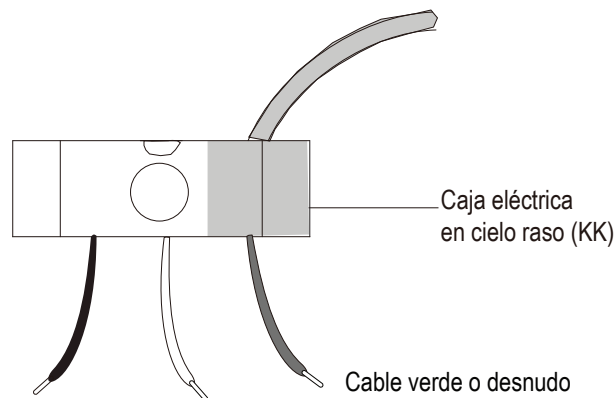


IMPORTANTE: Usa los conectores de cables plásticos (FF) incluidos con tu ventilador. Sujeta los conectores con cinta de electricista y asegúrate de que no haya conexiones ni cables sueltos.



NOTA: El ventilador viene con cables terminales de 1.37 m para usar con un conjunto extendido de tubo bajante/bola. Si usas el conjunto extendido de tubo bajante/bola (B) de 11.4 cm incluido, puedes recortar los cables terminales al largo deseado (no menos de 30.5 cm).

- El ventilador viene con cables terminales de 137 cm para usar con un conjunto extendido de tubo bajante/bola. Si usas el conjunto extendido de tubo bajante/bola (B) de 11.4 cm incluido, puedes recortar los cables terminales al largo deseado (no menos de 30.5 cm). Esto dejará más espacio en la cubierta (C). Si no quieres cortar los cables, deberás enrollarlos cuidadosamente.
- Conecta los cables verdes del motor del ventilador al cable verde o pelado del hogar usando una tuerca de conexión de cables (FF).
- Conecta el cable blanco del motor del ventilador al cable blanco del hogar usando una tuerca de conexión de cables (FF).
- Conecta los cables negro y azul del motor del ventilador al cable negro del hogar usando una tuerca de conexión de cables (FF).
- Asegura cada tuerca de conexión de cables (FF) con cinta de electricista.
- Gira las tuercas de conexión del cable (FF) hacia arriba y coloca el cableado dentro de la caja eléctrica (KK).

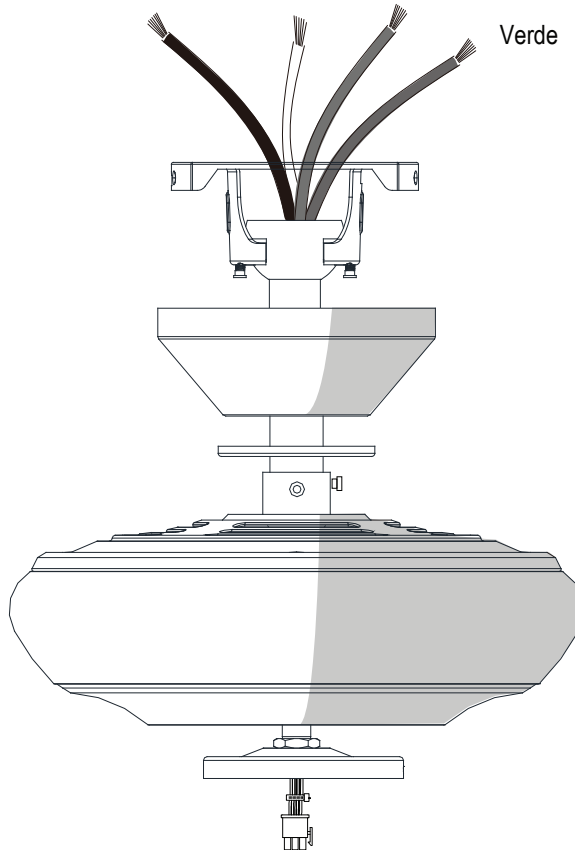


Negro

Blanco

Azul

Verde



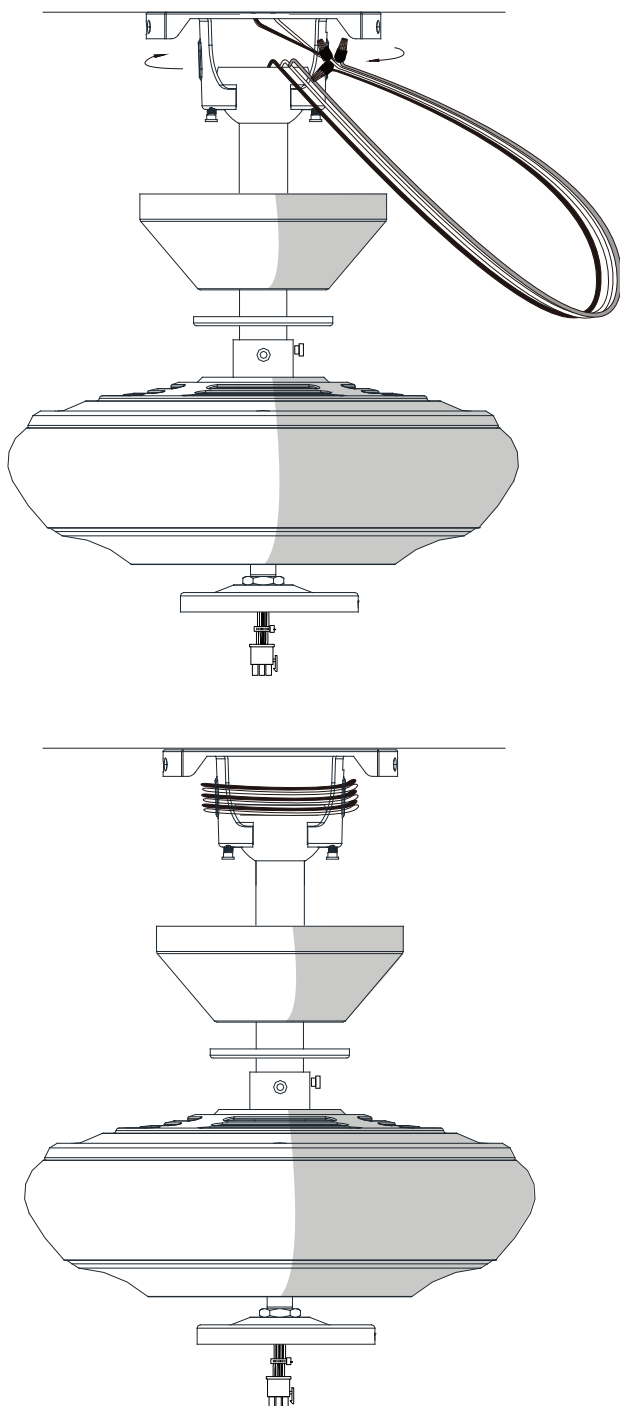
Ensamblaje - Cómo colgar el ventilador (continuación)

4 Cómo enroscar el cable sobrante



NOTA: Sigue estos pasos SOLO si no cortaste el cable sobrante del ventilador de techo.

- Con cuidado, enrolla el exceso de cable alrededor del soporte de montaje.
- Asegura con cinta de electricista.

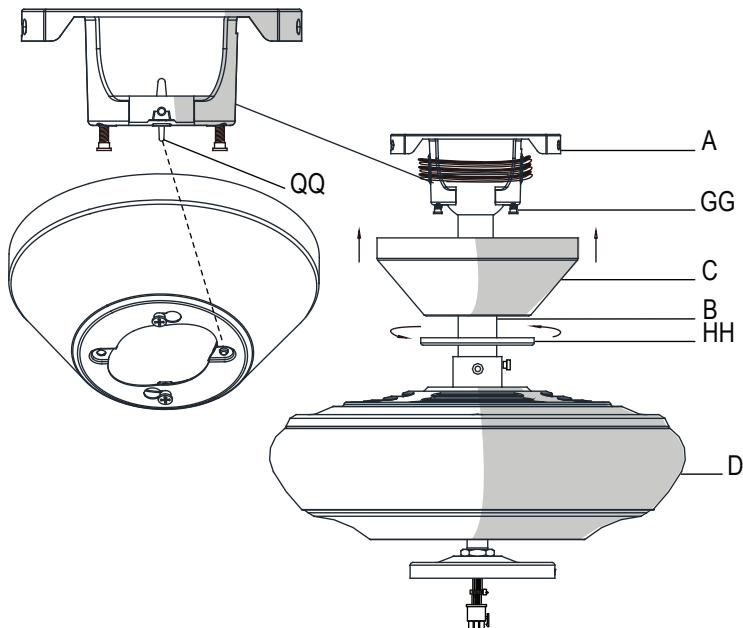


5 Cómo montar el conjunto del motor y el ventilador (montaje estándar)



ADVERTENCIA: Cuando uses el ensamblaje del tubo bajante/bola estándar, la pestaña en el aro en la parte inferior del soporte de montaje debe encajar en la ranura de la bola de soporte. Si la pestaña no se asienta correctamente en la ranura, se puede dañar el cableado.

- Alinea las ranuras de cierre de la cubierta (C) con los dos tornillos (GG) y el poste de alineación (QQ) del soporte de montaje (A).
- Empuja hacia arriba la cubierta (C) y gira hacia la derecha hasta que el poste de alineación (QQ) se enganche en el orificio redondo y los tornillos (GG) se enganchen en las ranuras tipo ojo de cerradura.
- Ajusta firmemente los dos tornillos de montaje (GG).
- Instala la tapa inferior decorativa (HH) alineando las ranuras de la tapa con los tornillos en la parte inferior de la cubierta (C). Gira la tapa inferior hacia la derecha para fijarla en su lugar.



Ensamblaje - Cómo fijar las aspas del ventilador

1 Cómo fijar los soportes de las aspas al motor

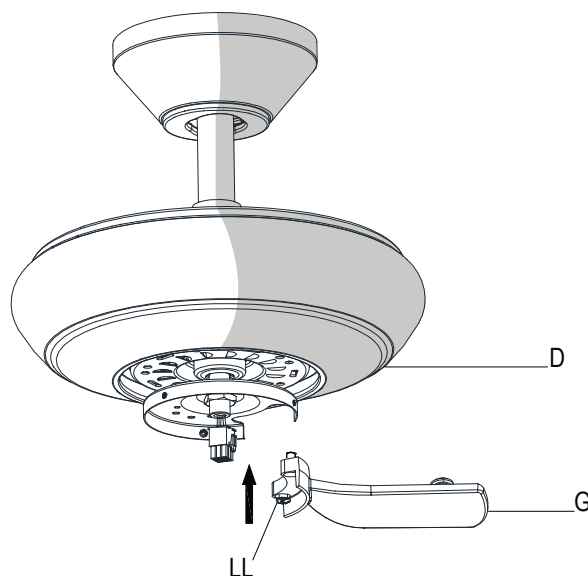


ADVERTENCIA: Quita los tapones de goma del motor en la parte inferior del ventilador antes de instalar las aspas o verificar el motor.



NOTA: Tu ventilador cuenta con avances novedosos para facilitar y acelerar la instalación de las aspas, incluyendo un poste de alineación y tornillos fijos para el soporte de aspa.

- Ajusta los soportes del aspa (G) al conjunto del motor y el ventilador (D) insertando el poste de alineación dentro de la ranura de la parte inferior del motor y ajustando los tornillos preinstalados del soporte de las aspas (LL).
- Repite este paso para ensamblar las aspas restantes.

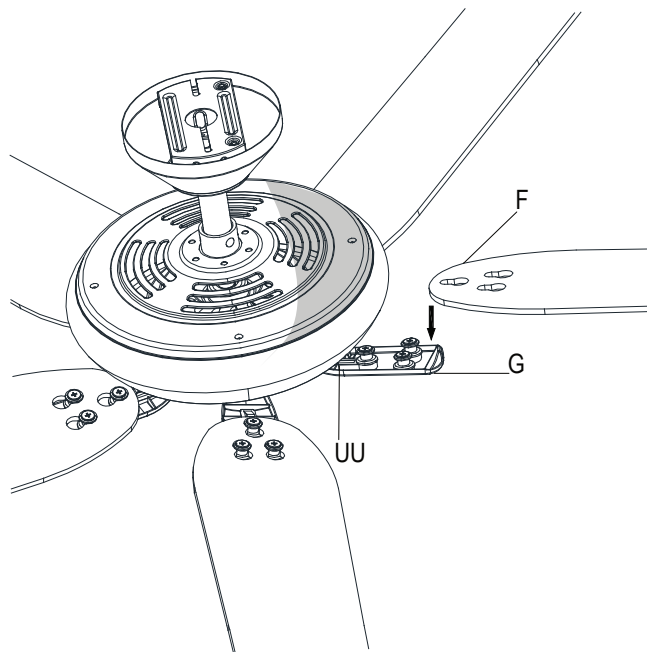


2 Cómo fijar las aspas a sus soportes



NOTA: Las aspas de tu ventilador son reversibles. Elige el acabado del aspa por el lado que mejor resalte tu decoración.

- Monta las aspas del ventilador (F) al soporte del aspa (G) alineando los tres orificios tipo ojo de cerradura en el aspa (F) con los tres postes de la parte superior de los soportes (G).
- Sostén el aspa (F) con ambas manos cerca del soporte del aspa (G) hacia abajo con firmeza. Asegúrate de que los orificios tipo ojo de cerradura estén correctamente apoyados sobre los postes del soporte del aspa (G).
- Mientras sujetas el aspa (F) con ambas manos, deslízala con firmeza hasta se acople al mecanismo de cierre (UU). Asegúrate de que el mecanismo de cierre (UU) en la parte posterior del soporte del aspa (G) se eleve y haga tope contra el borde del aspa (F) para indicar conexión segura.
- Revisa la parte superior del soporte del aspa (G) para garantizar que el mecanismo de cierre esté asegurado en su lugar.
- Repite este procedimiento para las aspas restantes (F).



Ensamblaje - Cómo instalar las lámparas

1 Cómo instalar el conjunto de soporte del kit de luces



IMPORTANTE: Es decisivo instalar la caja del interruptor usando el conector rápido. El ventilador funcionará sólo si el kit de luces está conectado a él.

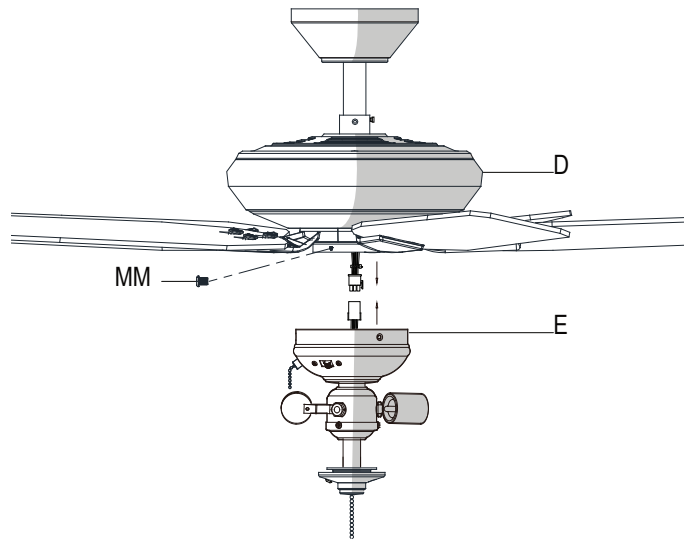


PRECAUCIÓN: Para disminuir el riesgo de descarga eléctrica, desconecta el circuito eléctrico del ventilador antes de instalar la lámpara.



NOTA: Marca la posición del interruptor deslizante del ventilador. Este es el interruptor utilizado para cambiar la dirección de rotación del ventilador. Para más información sobre el funcionamiento de este interruptor, consulta *Cómo usar tu ventilador* en la página 14.

- ❑ Quita y guarda los tres tornillos de montaje del kit de luces (MM) del soporte negro debajo del conjunto del motor y el ventilador (D).
- ❑ Conecta los cables del conjunto de soporte del kit de luces (E) a los cables del conjunto del motor y el ventilador (D), conectando juntos los enchufes con adaptadores moldeados. Coloca con cuidado todos los cables y empalmes dentro de la caja del interruptor.
- ❑ Alinea los tres orificios del soporte negro debajo del conjunto del motor y el ventilador (D) con los tres orificios de la caja del interruptor del conjunto de soporte del kit de luces (E). Coloca el conjunto de soporte del kit de luces (E) y vuelve a colocar los tres tornillos (MM) que fueron retirados en el primer paso para asegurar el conjunto del soporte del kit de luces (E).



2 Cómo instalar las bombillas y el tazón de vidrio

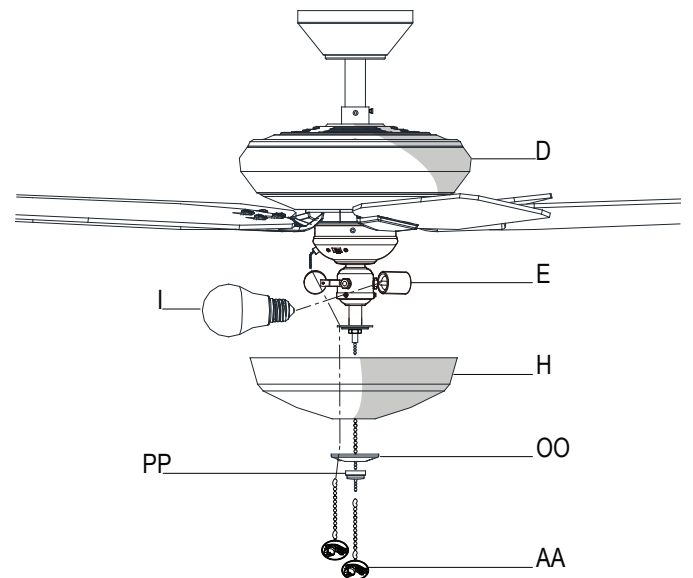


ADVERTENCIA: Espera que el tazón de vidrio se enfríe completamente antes de retirarlo.



PRECAUCIÓN: Asegúrate de que la corriente está cortada antes de montar o retirar el tazón de vidrio.

- ❑ Retira el remate (PP) y la cubierta inferior (OO) de la boquilla roscada del conjunto de soporte del kit de luces (E).
- ❑ Con la electricidad apagada, instala las tres bombillas LED (I) enroscándolas en los portabombillas.
- ❑ Coloca el tazón de vidrio (H), vuelve a colocar la cubierta inferior (OO) sobre la boquilla roscada y pasa el interruptor de cadena del ventilador a través del orificio lateral en la cubierta inferior (OO).
- ❑ Vuelve a colocar el remate (PP) sobre la boquilla roscada y pasa el interruptor de cadena de las luces a través del orificio del remate (PP) y ajusta bien este último (PP).
- ❑ Instala las extensiones de los interruptores de cadena (AA) suministradas a los interruptores de cadena de la lámpara y del ventilador.



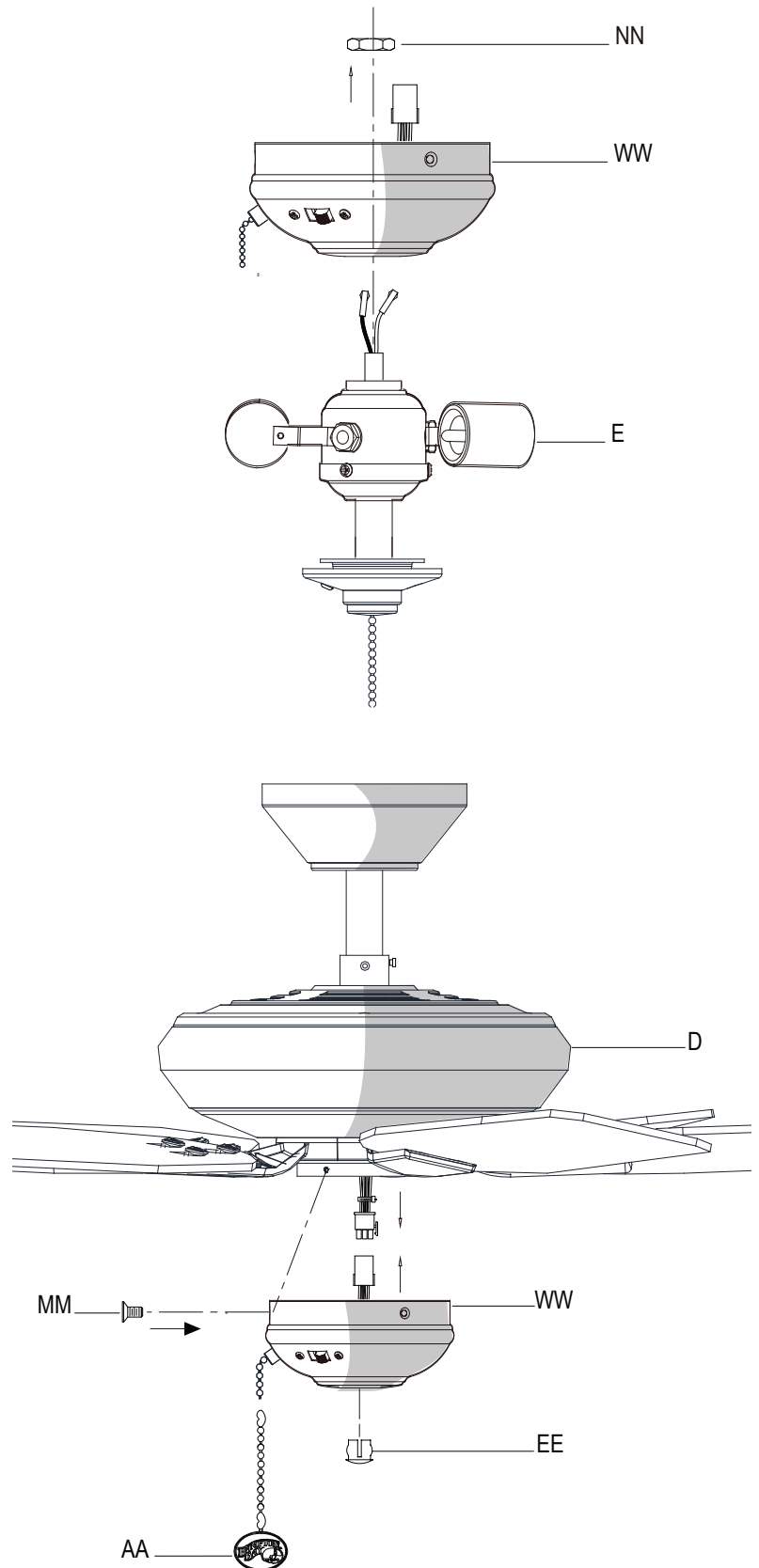
Ensamblaje - Cómo ensamblar el ventilador sin el kit de luces

1 Cómo ensamblar el ventilador sin el kit de luces



IMPORTANTE: Es decisivo instalar la caja del interruptor usando el conector rápido. El ventilador funcionará sólo si el kit de luces está conectado a él.

- ❑ Quita los tres tornillos de montaje del kit de luces (MM) del soporte negro debajo del conjunto del motor y el ventilador (D).
- ❑ Con el fin de utilizar el ventilador sin el kit de luces, retira la caja del interruptor (WW) ubicado en la parte superior del conjunto de soporte del kit de luces (E), quitando la tuerca hexagonal del centro (NN) dentro de la caja del interruptor (WW) y desenroscando esta (WW) de la boquilla roscada en la parte superior del conjunto de soporte del kit de luces (E).
- ❑ Empuja el tapón plástico (EE) (incluido) dentro del orificio central de la caja del interruptor (WW).
- ❑ Conecta los acopladores de conexión rápida. (El ventilador no funcionará sin esta conexión).
- ❑ Coloca la caja del interruptor (WW) en el soporte negro y vuelve a instalar los tornillos de montaje del kit de luces (MM).




CÓMO USAR TU VENTILADOR

Enciende la fuente de electricidad y verifica el funcionamiento del ventilador. El interruptor de cadena del ventilador controla las velocidades del ventilador de la siguiente manera:

1 vez: alta, 2 veces: media, 3 veces: baja y 4 veces: apagado.

Las configuraciones de velocidad apropiadas para clima cálido o frío dependen de factores como el tamaño de la habitación, la altura del techo y la cantidad de ventiladores.

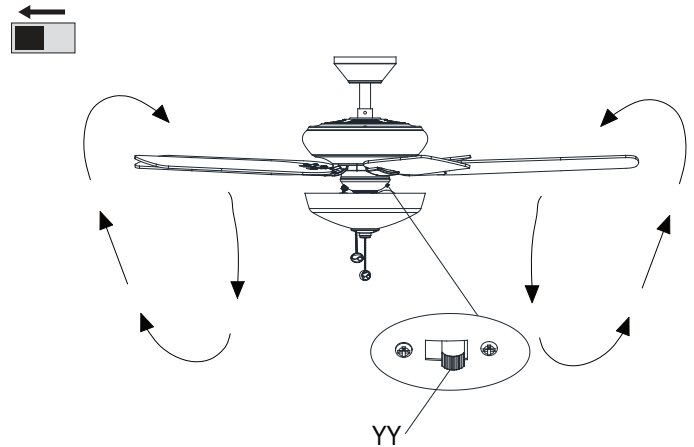
El interruptor deslizante controla (YY) el sentido de giro de las aspas: adelante (hacia la izquierda) o en reversa (hacia la derecha).

 **NOTA:** Espera a que se detenga el ventilador antes de invertir el sentido de giro de las aspas.

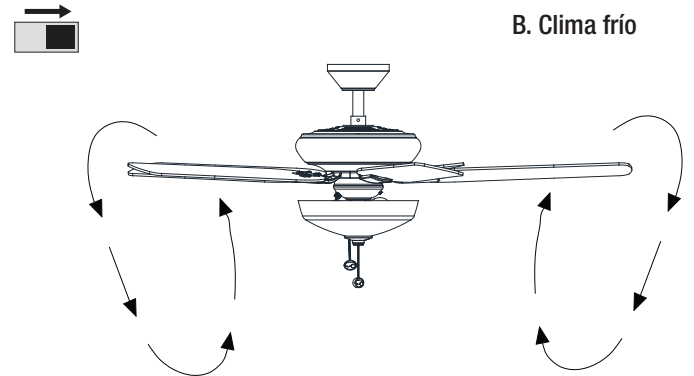
A. Clima cálido - (Hacia adelante) Un flujo de aire descendente surte un efecto refrescante. Esto te permite programar el aire acondicionado en configuración más alta sin afectar tu comodidad.

B. Clima frío - (Reversa) Un flujo de aire hacia arriba desplaza el aire cálido lejos del cielo raso. Esto te permite fijar la unidad de calefacción en configuración más baja sin afectar tu comodidad.

A. Clima cálido



B. Clima frío



Mantenimiento y limpieza



ADVERTENCIA: Asegúrate de que la corriente esté apagada antes de limpiar el ventilador.

- Debido al movimiento natural del ventilador, algunas conexiones pueden aflojarse. Revisa dos veces al año las conexiones de soporte, los soportes y los accesorios de las aspas. Comprueba que estén seguros. No es necesario desmontar el ventilador del techo.
- Limpia tu ventilador con frecuencia, para que luzca como nuevo al paso de los años. No uses agua al limpiar; esto puede dañar el motor o la madera e incluso provocar descargas eléctricas. Usa sólo un cepillo suave o un paño sin pelusas para evitar arañar el acabado. El revestimiento está sellado con laca para minimizar la decoloración u opacidad.
- Puedes aplicar a la madera una fina capa de pulimento para muebles y asegurar así mayor protección y belleza superior. Cubre los arañazos pequeños con una leve aplicación de lustrador para calzado.
- No necesitas lubricar el ventilador. El motor tiene cojinetes de bola sellados y permanentemente lubricados.

Solución de problemas

Problema	Solución
El ventilador no enciende.	<ul style="list-style-type: none"><input type="checkbox"/> Verifica fusibles o cortacircuitos principales y secundarios.<input type="checkbox"/> Verifica las conexiones de cables en línea con el ventilador y las conexiones de cables del interruptor en la caja de interruptores.
El ventilador hace ruido.	<ul style="list-style-type: none"><input type="checkbox"/> Asegura que todos los tornillos de la carcasa del motor estén ajustados.<input type="checkbox"/> Asegúrate de que los tornillos que unen el soporte de aspa al cuerpo del motor estén bien apretados.<input type="checkbox"/> Asegúrate de que las conexiones de tuerca de cable no choquen unas con otras ni con la pared interior de la caja del interruptor.<input type="checkbox"/> Deja que transcurra un período de “adaptación” de 24 horas. En ese período desaparecen la mayoría de los ruidos asociados a un ventilador nuevo.<input type="checkbox"/> Si usas el kit de luces de ventilador de techo, asegúrate de que los tornillos que sujetan el vidrio estén bien apretados. Verifica que las bombillas también estén aseguradas.<input type="checkbox"/> Asegúrate de que la cubierta esté a corta distancia del techo. No debe tocar el techo.<input type="checkbox"/> Asegura que la caja eléctrica quede bien ajustada y que se hayan instalado almohadillas aislantes de goma entre la placa de montaje y la caja eléctrica.
El ventilador oscila.	<ul style="list-style-type: none"><input type="checkbox"/> Verifica que todas las aspas y los tornillos de sus brazos estén bien ajustados.<input type="checkbox"/> La mayoría de los problemas de oscilación del ventilador se deben a que las aspas no están al mismo nivel. Verifica este nivel seleccionando un punto en el techo sobre la punta de una de las aspas. Mide desde un punto en el centro de cada aspa al punto en el cielo raso. Mide esta distancia. Gira el ventilador hasta que la siguiente aspa quede bien colocada para medir. Repite el procedimiento para cada aspa. Las desviaciones de la medición no deben pasar de 0.3 cm. Enciende el ventilador durante diez minutos. Si el ventilador continúa oscilando, comunícate con el servicio al cliente y te enviarán un kit de compensación de aspas, sin costo alguno.



¿Preguntas, problemas o piezas faltantes? Antes de devolver a la tienda,
llama al Servicio al Cliente de The Home Depot,
de lunes a viernes, entre 8:00 a.m. y 7:00 p.m. (Este), y los sábados de 9:00 a.m. a 6:00 p.m. (Este).

01 855 HD HAMPTON

HAMPTONBAY.COM

Conserva este manual para uso futuro.