

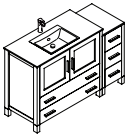


FVN62-3612-UNS TORINO

INSTALLATION GUIDE

CONTENTS:

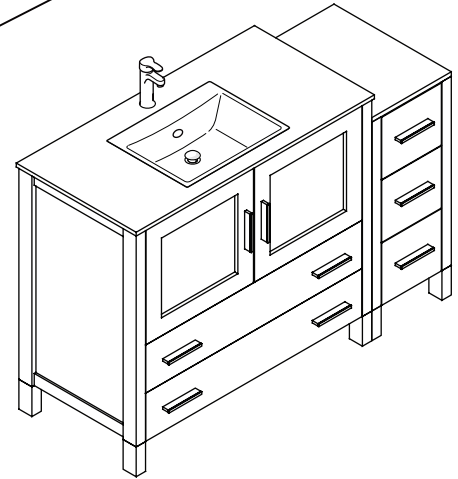
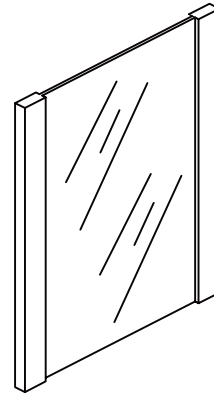
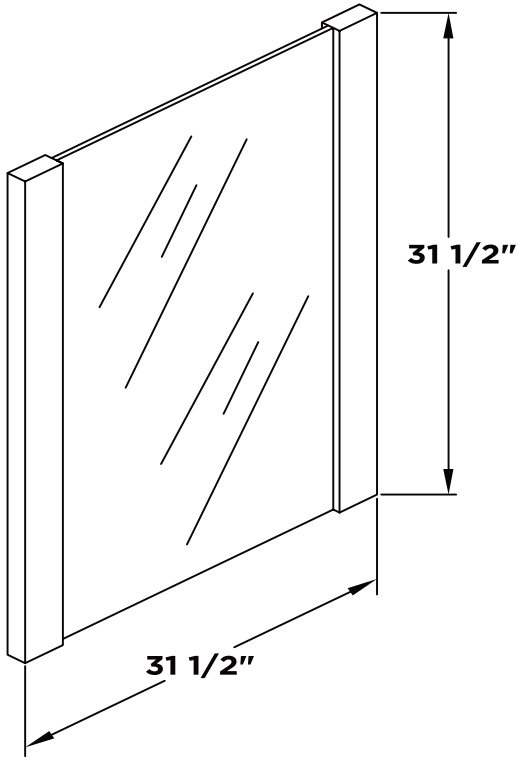
| | | |
|--------------|-------------------|--------|
| Cabinet..... | (FCB62-3612)..... | PAGE 3 |
| Sink..... | (FVS6236)..... | PAGE 4 |
| Mirror..... | (FMR6236)..... | PAGE 2 |



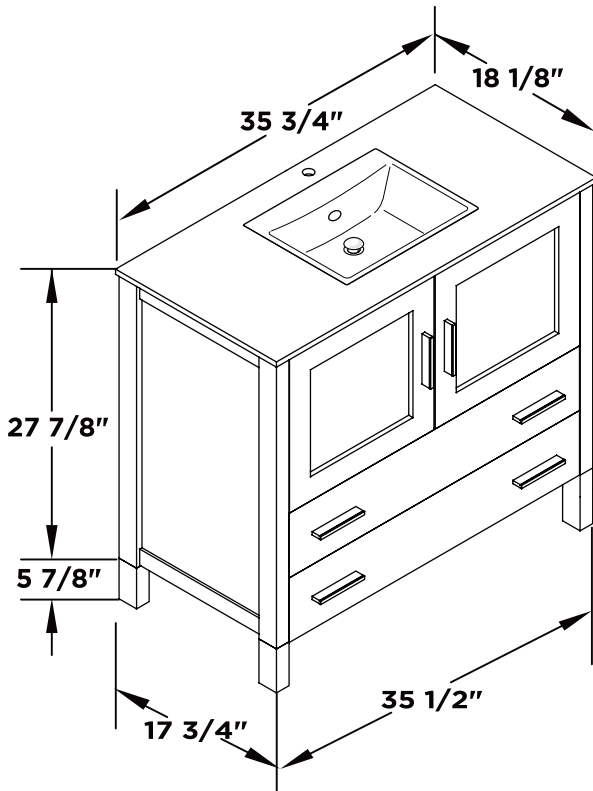
FVN62-3612-UNS
TORINO
INSTALLATION GUIDE



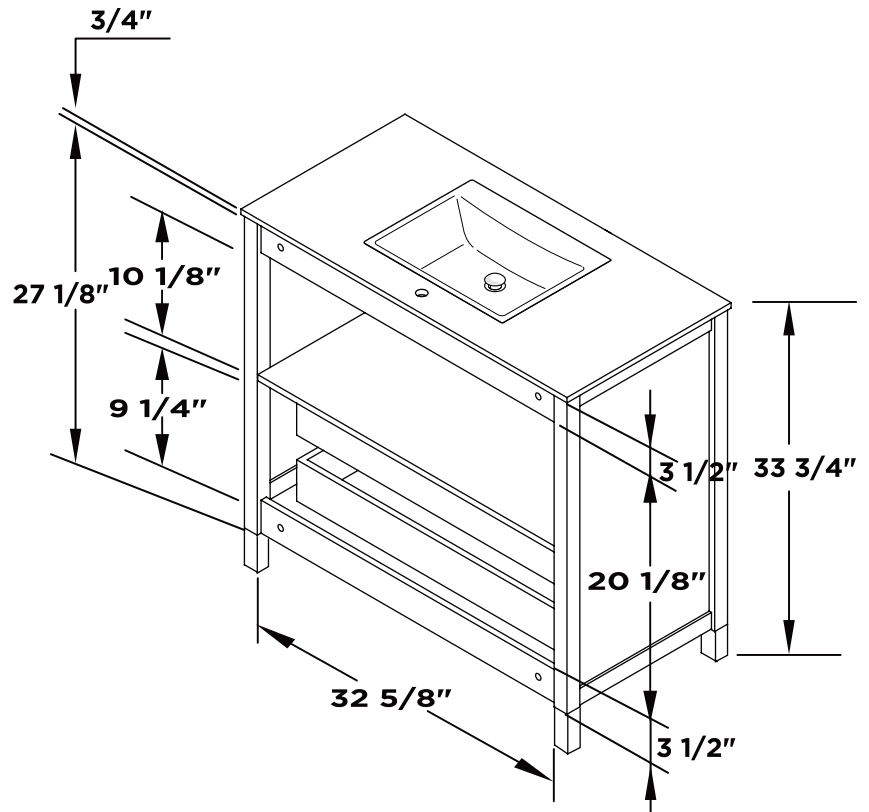
Mirror



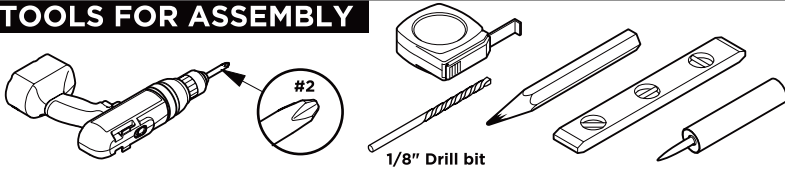
Vanity Front



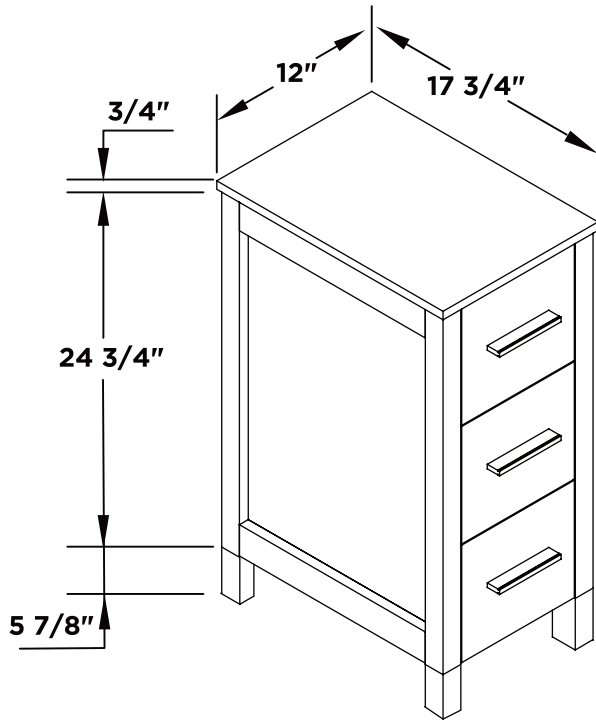
Vanity Back



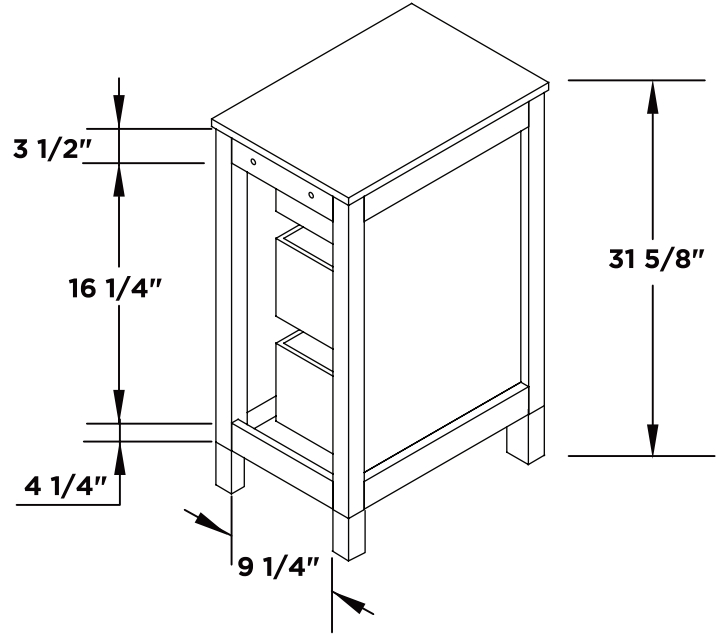
TOOLS FOR ASSEMBLY



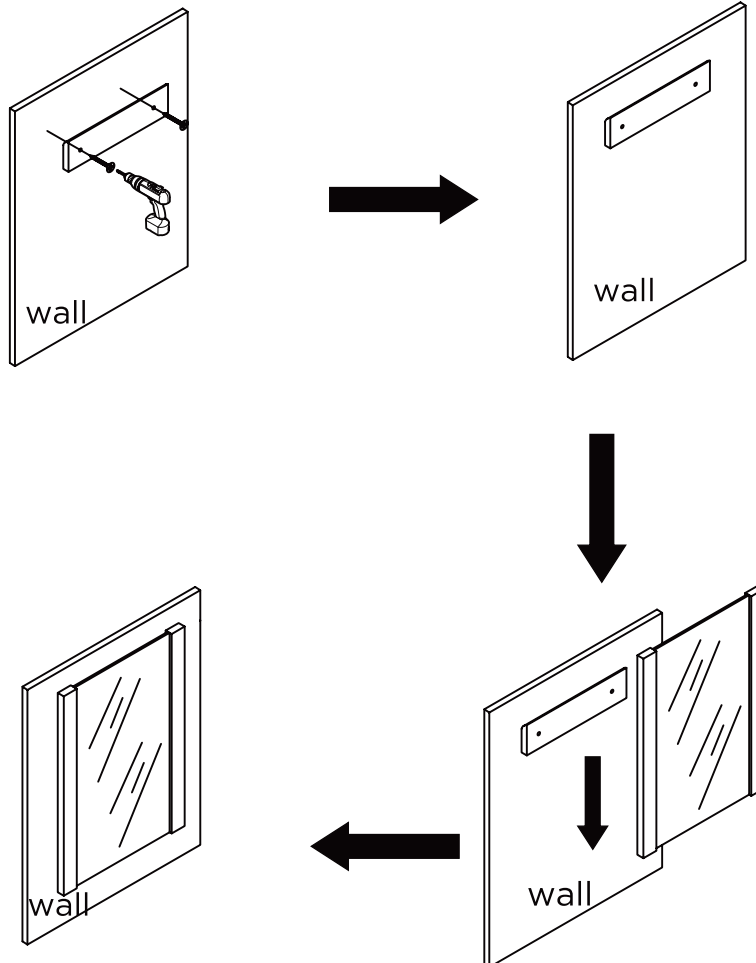
Side Cabinet Front



Side Cabinet Back

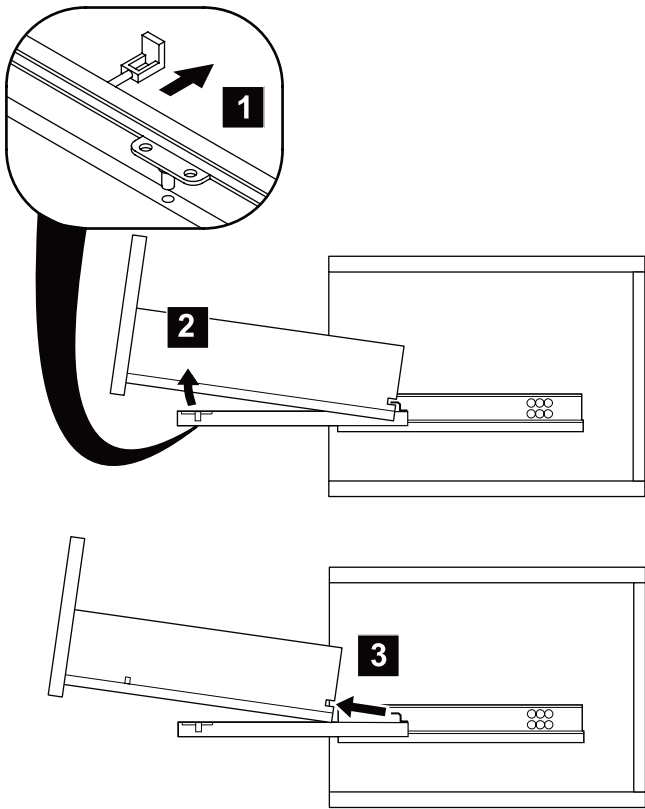


MIRROR INSTALLATION

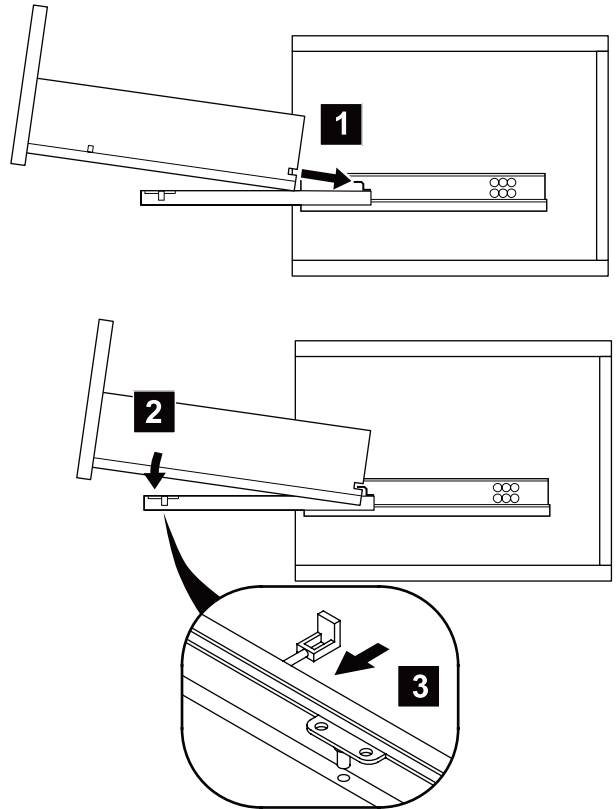


DRAWER REMOVAL & INSTALLATION

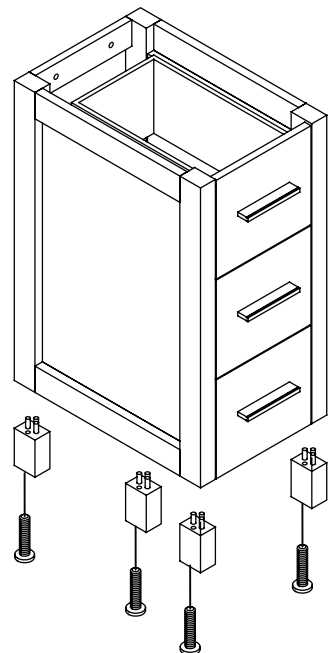
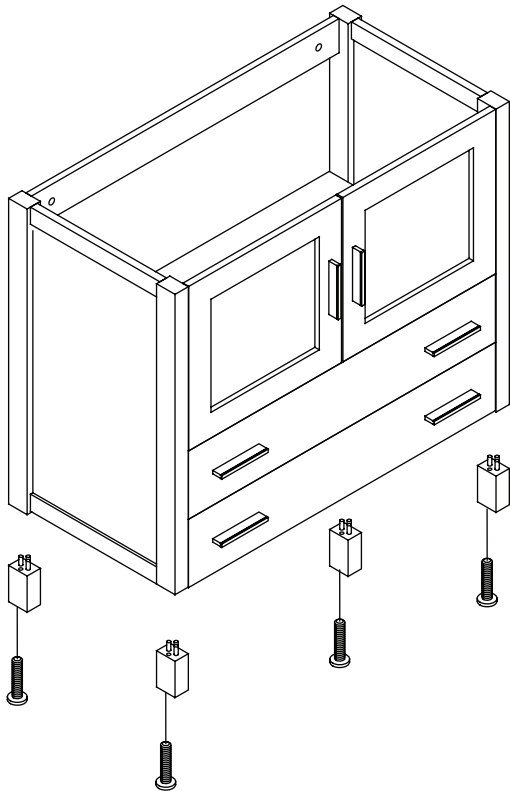
REMOVAL



INSTALLATION



1 Install leg



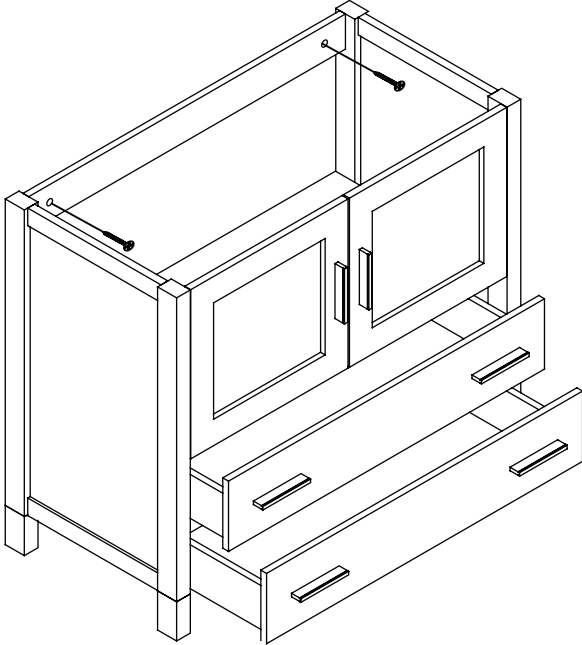
2

Remove side cabinet drawer

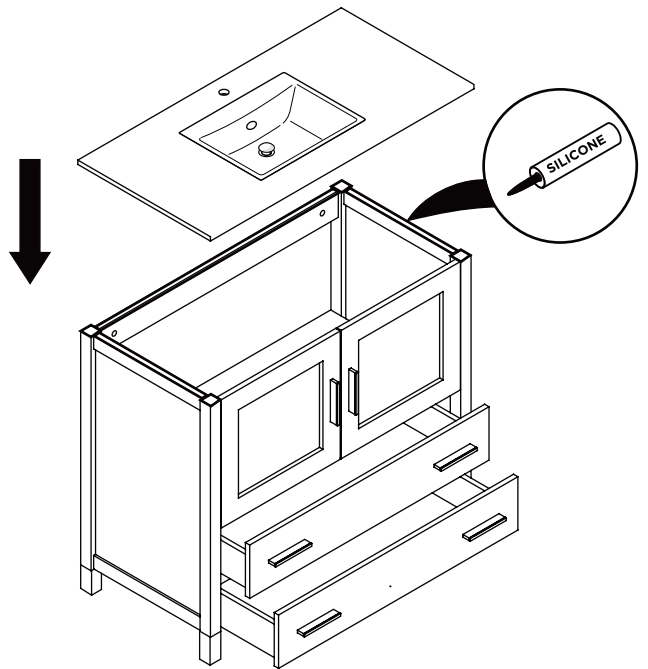
3

Install side cabinet

IMPORTANT: Consult an expert for the proper screws/bolts to use when attaching to various wall constructions. Screws provided do not attach to all wall construction types.

**4**

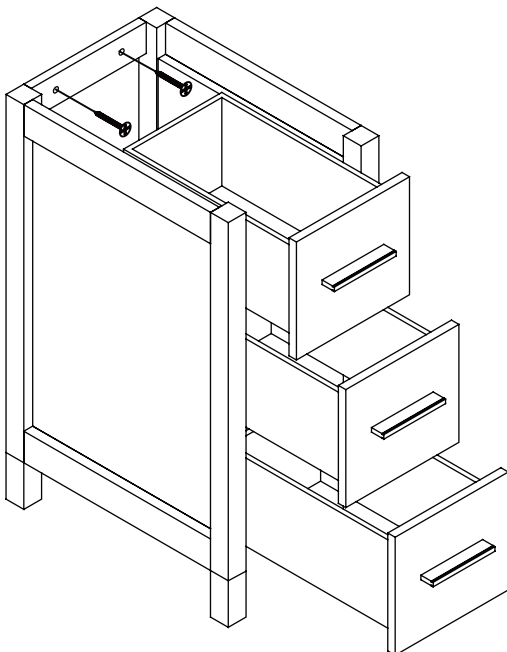
Install top panel

**5**

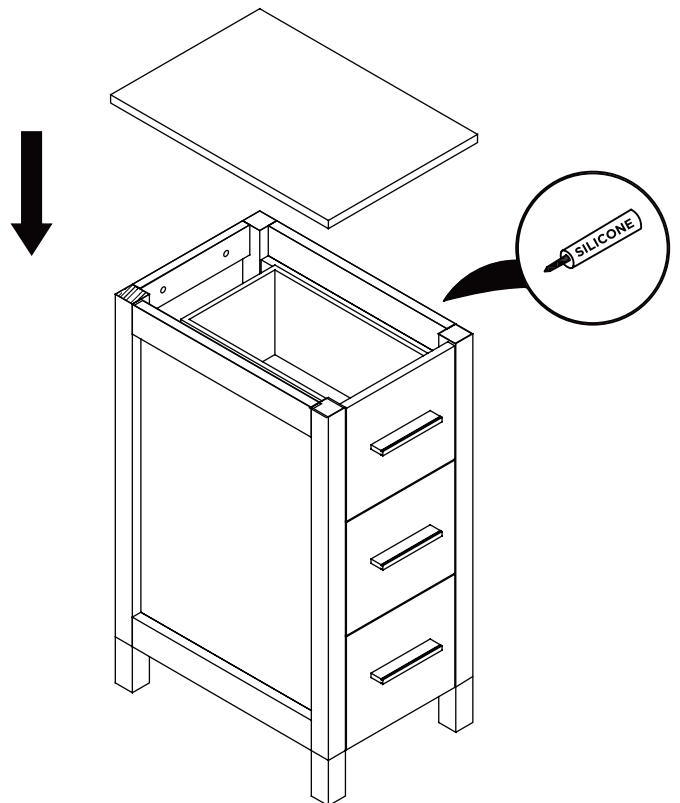
Remove side cabinet drawer

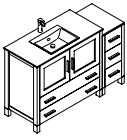
6

Install side cabinet

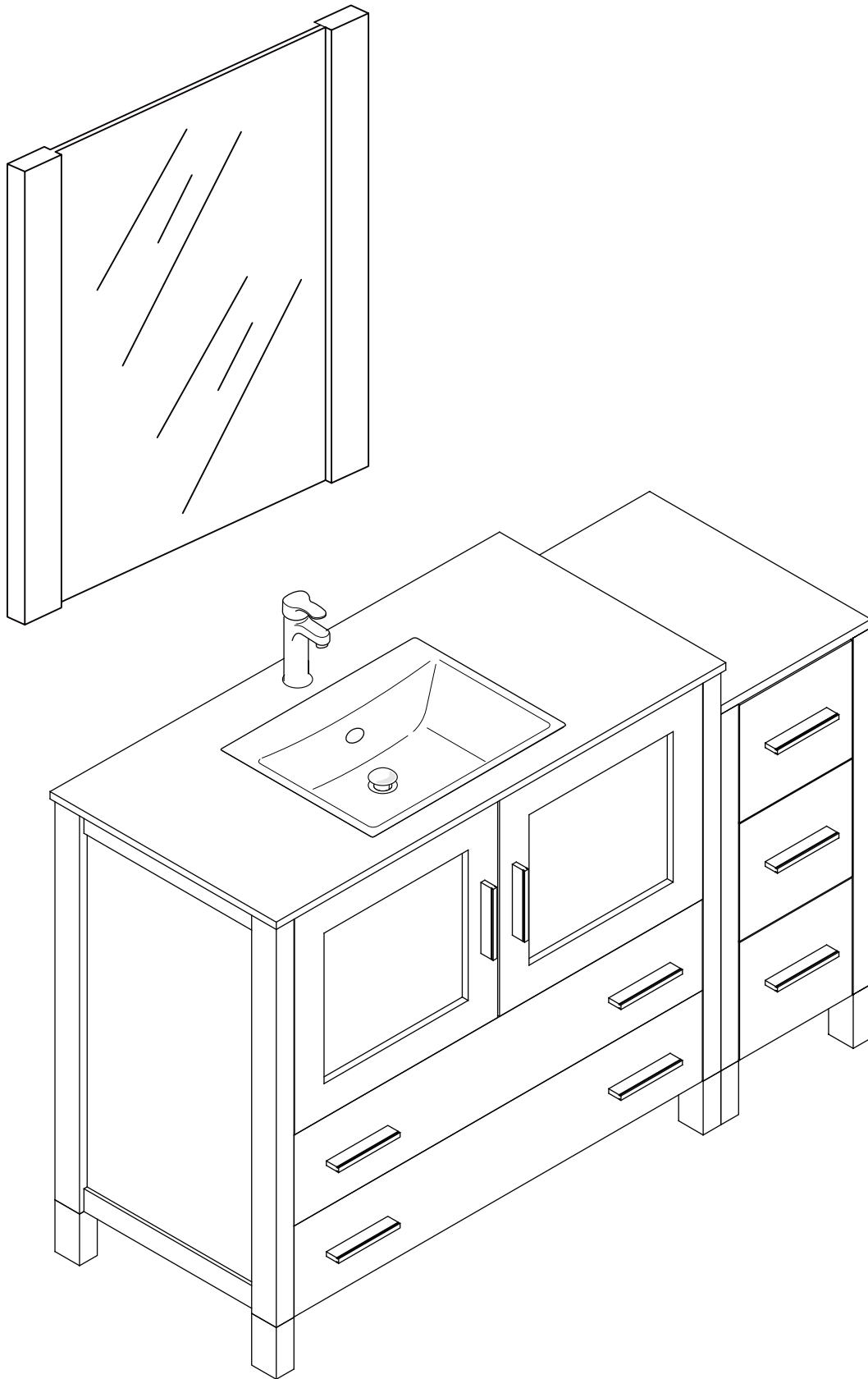
**7**

Install side cabinet top panel





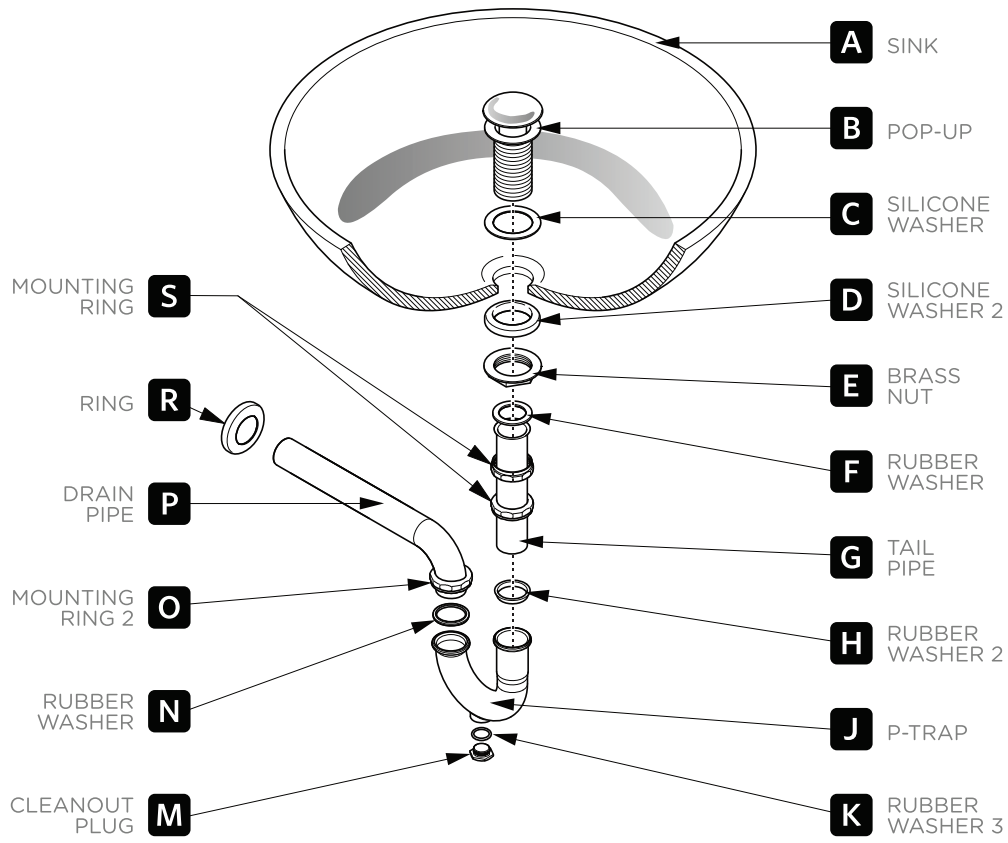
FVN62-3612-UNS TORINO INSTALLATION GUIDE



P-TRAP & POP-UP

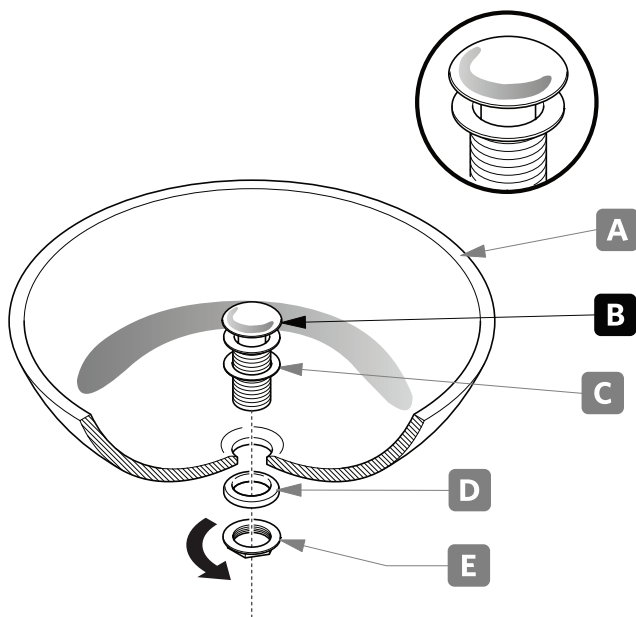
INSTALLATION INSTRUCTIONS

Your item may appear slightly different from the illustration.



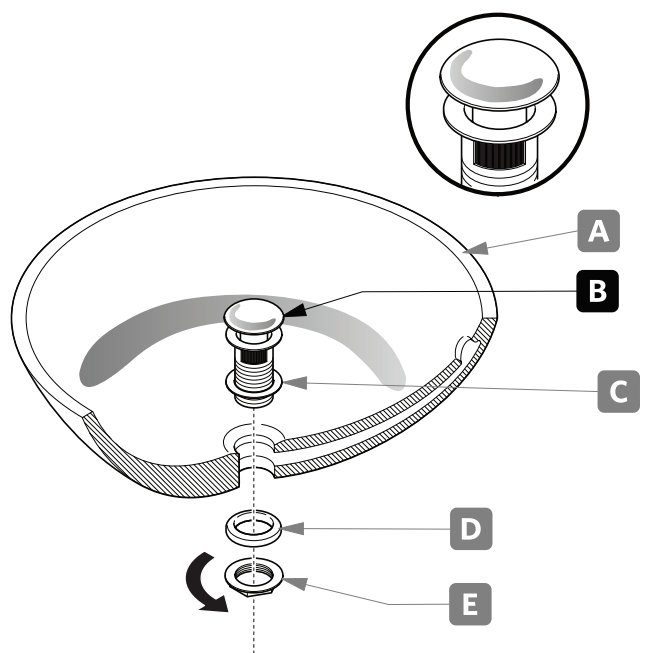
POP-UP INSTALLATION

FOR SINKS WITHOUT OVERFLOW



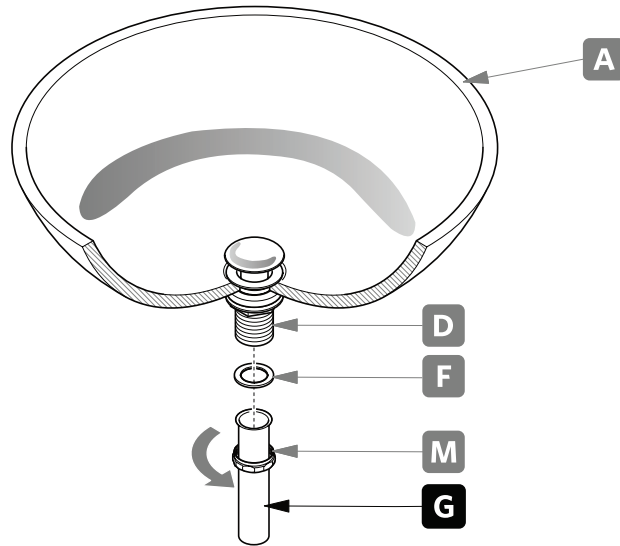
OR

FOR SINKS WITH OVERFLOW



P-TRAP INSTALLATION

1. Install tail pipe (**G**).



2. Install P-trap (**J**).

