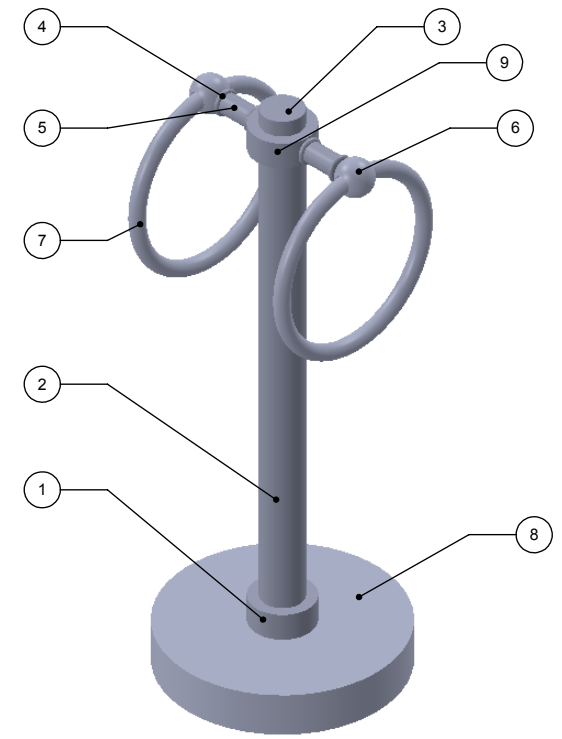


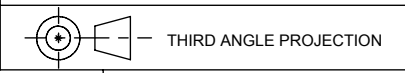
ITEM NO.	PART NUMBER	DESCRIPTION	QTY.
1	RGSM	HUB	1
2	TU12-2	TUBE UPRIGHT	1
3	Card-1	END LOCK	1
4	CRRD-12	Connector	4
5	TU12-0.75	TUBE SUPPORT	2
6	BLTSR-1	SPHERE HUB	2
7	TRMT-4	RING	2
8	BSRD-5.5	BASE	1
9	RGSML	HUB TOP	1



UNLESS OTHERWISE STATED

.X	±.3mm
.XX	±.15mm
.XXX	±.008mm

COPYRIGHT © Allied Brass 2017



DRAWN	7/7/2017	I.M
CHECKED	7/7/2017	P.D
APPROVED	7/7/2017	R.A

MATERIAL:	BRASS		FINISH	TBD
DESCRIPTION:		QUANTITY	TBD	
TOWEL HOLDER		DRAWING No.		REV
		953		0
SCALE	1:3	SHEET: 01	A4	