

## CARE AND MAINTENANCE

Store outdoor furniture indoors or cover well when not in use.

Remove wooden furniture from standing water. Dust regularly with small brush or vacuum





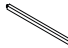



Spills should be taken care of immediately before they harden or stain with a slightly dampened sponge.

## NOTICE

- \* Please make sure that you have all parts indicated before you begin assembly of this item
- \* This item should be assembled on a soft surface to prevent scratching the finish during assembly
- \* This item may require periodic tightening

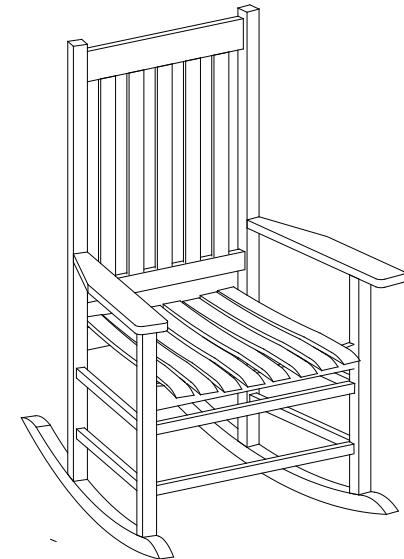
 **SAFAVIEH**  
O U T D O O R

## Part List and Hardware List

PIECE	DESCRIPTION	PICTURE	QUANTITY
A	Seat Frame		1X
B	Leg Frame		2X
C	Back frame		1X
D	Base plate		2X
E	Cross bar of leg		2X
H1	Screw -1	 7x70mm	10X
H2	Screw -2	 7x60mm	4X
H3	Allen key		1X

Model# PAT7002

Product Dimensions:26" W x 33.5" D x 44.5" H



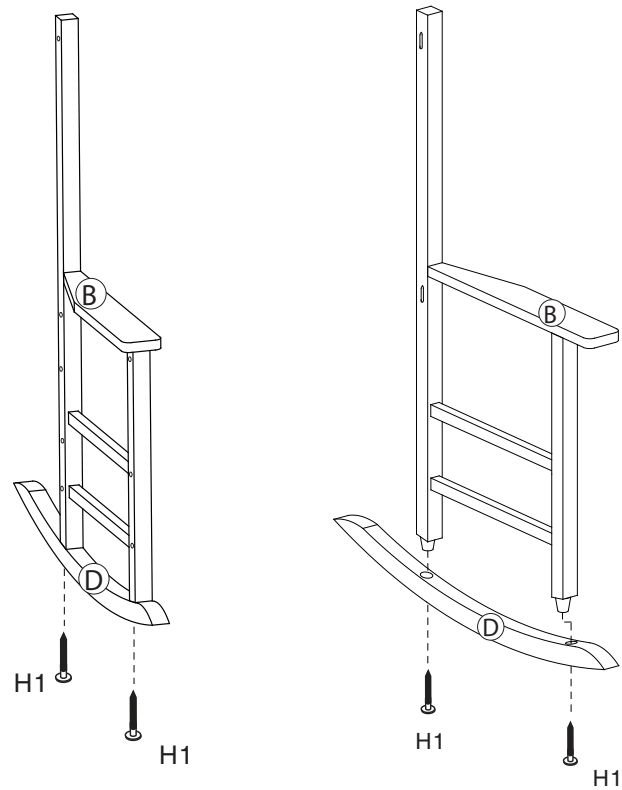
## PREPARATION

Before beginning assembly of product, make sure all parts are present. Compare parts with package contents list and hardware contents list. If any part is missing or damaged, do not attempt to assemble the product.

Estimated Assembly Time: 10 minutes.

Tools Required for Assembly (included): Allen Key

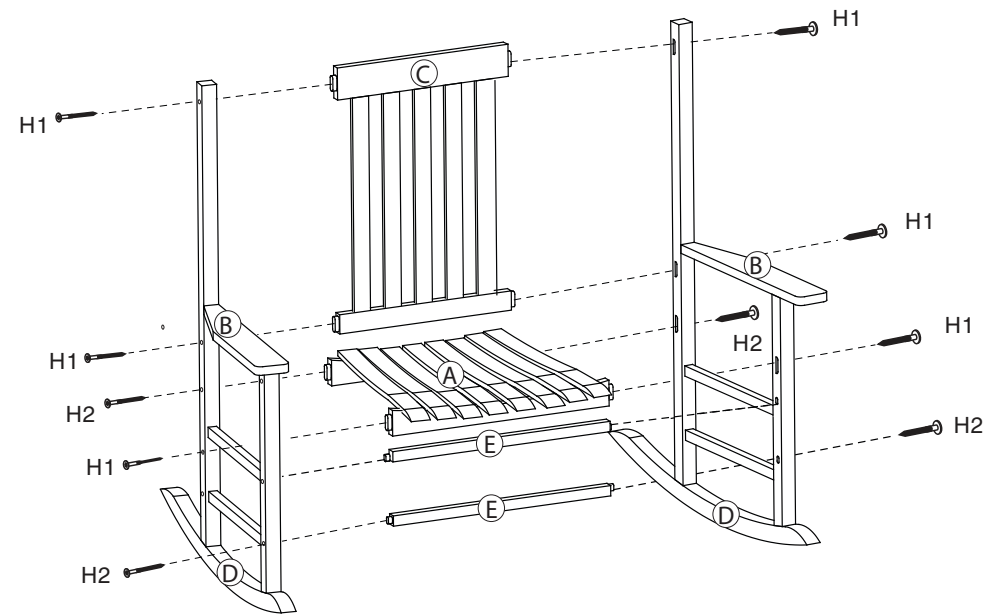
1



### Step 1

Assemble leg frame (B) with base plate (D) by screws(H1) and allen key (H3).

2



### Step 2

Allen back frame (C), seat frame (A) and 2 cross bars of leg to assembled leg frame (B) with base plate (D), use screws (H1) & (H2) and tighten with (H3)