

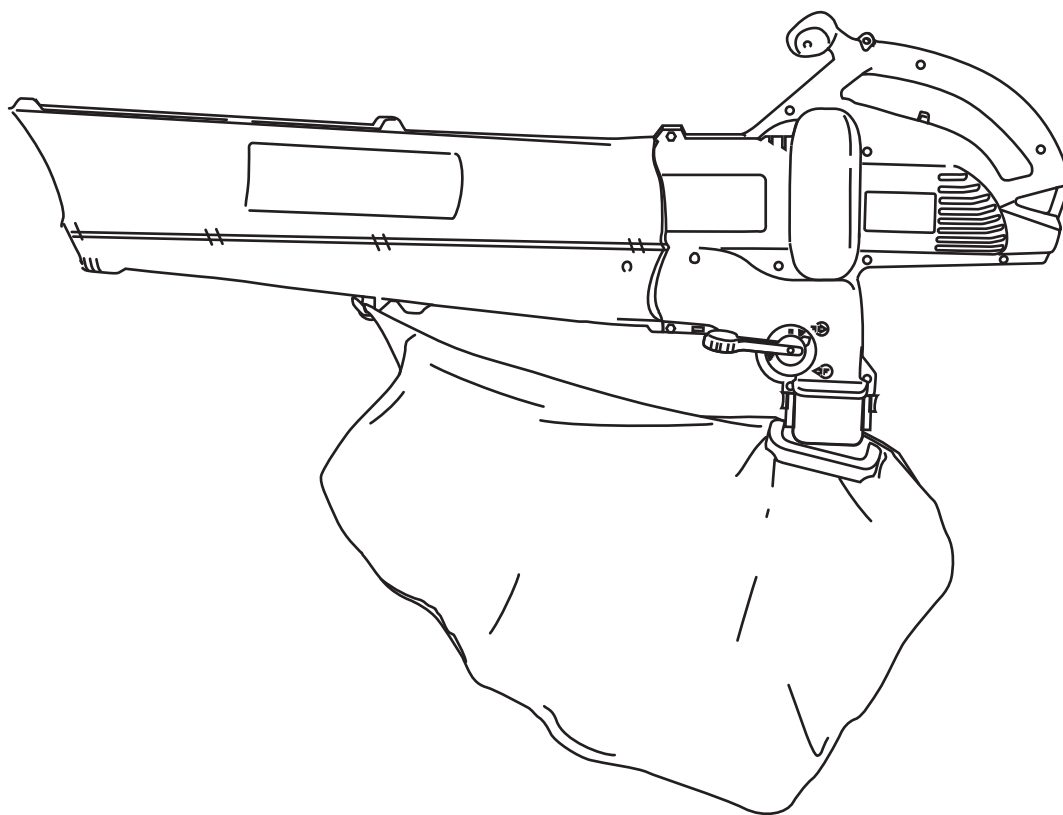
REMINGTON®

English

Operator's Manual

RM1300

Electric Mulching Blower/Vacuum



**SAVE THESE INSTRUCTIONS
DO NOT THROW AWAY**

INTRODUCTION

DO NOT RETURN THIS UNIT TO THE RETAILER. PROOF OF PURCHASE WILL BE REQUIRED FOR WARRANTY SERVICE.

For assistance regarding the assembly, controls, operation or maintenance of the unit, please call the Customer Support Department at **1-866-206-2707** in the United States or **1-877-696-5533** in Canada. Additional information about the unit can be found on our website at **www.remingtonpowertools.com**.

For service, please call the Customer Support Department to obtain a list of authorized service dealers near you. Service on this unit, both within and after the warranty period, should only be performed by an authorized and approved service dealer. When servicing, use only identical replacement parts.

Make sure you carefully read and understand this manual before starting or operating this equipment.

TABLE OF CONTENTS

Service Information	2
Rules for Safe Operation	2
Know Your Unit	6
Assembly Instructions	7
Operating Instructions	9
Maintenance and Repair Instructions	14
Specifications	15
Troubleshooting Chart	15
Warranty Information	18

All information, illustrations, and specifications in this manual are based on the latest product information available at the time of printing. We reserve the right to make changes at any time without notice.

Copyright© 2012 MTD SOUTHWEST INC, All Rights Reserved.

RULES FOR SAFE OPERATION

The purpose of safety symbols is to attract your attention to possible dangers. The safety symbols, and their explanations, deserve your careful attention and understanding. The safety warnings do not by themselves eliminate any danger. The instructions or warnings they give are not substitutes for proper accident prevention measures.

SYMBOL	MEANING
--------	---------



SAFETY ALERT: Indicates danger, warning or caution. Attention is required in order to avoid serious personal injury. May be used in conjunction with other symbols or pictographs.

NOTE: Advises you of information or instructions vital to the operation or maintenance of the equipment.

SYMBOL	MEANING
--------	---------



DANGER: Failure to obey a safety warning will result in serious injury to yourself or to others. Always follow the safety precautions to reduce the risk of fire, electric shock and personal injury.



WARNING: Failure to obey a safety warning can result in injury to yourself and others. Always follow the safety precautions to reduce the risk of fire, electric shock and personal injury.



CAUTION: Failure to obey a safety warning may result in property damage or personal injury to yourself or to others. Always follow the safety precautions to reduce the risk of fire, electric shock and personal injury.

RULES FOR SAFE OPERATION

• IMPORTANT SAFETY INSTRUCTIONS •



CALIFORNIA PROPOSITION 65

WARNING: Battery posts, terminals and certain finished components contain lead, lead compounds and chemicals known to the State of California to cause cancer and birth defects or other reproductive harm. Wash hands after handling.

READ ALL INSTRUCTIONS BEFORE OPERATING



WARNING: When using the unit, you must follow the safety rules. Please read these instructions before operating the unit in order to ensure the safety of the operator and any bystanders. Please keep these instructions for later use.

- Read the instructions carefully. Be familiar with the controls and proper use of the unit.
- Do not operate this unit when tired, ill or under the influence of alcohol, drugs or medication.
- Children and teens under the age of 15 must not use the unit, except for teens guided by an adult.
- Before each use, thoroughly inspect your unit for loose or damaged parts. Do not use until adjustments or repairs are made.
- All guards and safety attachments must be installed properly before operating the unit.
- Use the right tool. Use this unit only as described in this manual. Do not use for any job except that for which it is intended. Use only the manufacturer's recommended attachments.
- Inspect the area before starting the Blower/ Vacuum. Remove all debris and hard or sharp objects such as glass, wire, etc.



DANGER: When using electric gardening appliances, basic safety precautions should always be followed to reduce the risk of fire, electric shock and personal injury. Carefully read and understand the entire operator's manual before using your unit. Pay close attention to the operating instructions and safety warnings.

- Use the unit only in daylight or good artificial light.
- Keep all bystanders, especially children and pets, at least 50 feet (15 m) away from the unit while operating.

ELECTRICAL SAFETY WARNINGS

- Since the tool is double-insulated, a 2-wire extension cord (an extension cord without a ground) may be used. A 3-wire extension cord (an extension cord with a ground) that uses a NEMA type connector (parallel blade, U ground) is recommended. Extension cords are available from your local retailer. Use only round-jacketed extension cords approved for outdoor use.
- This tool is double-insulated. Repair or replace damaged cords.



WARNING: To reduce the risk of electrical shock, use only SW-A, SOW-A, STW-A, STOW-A, SJW-A, SJOW-A, SJTW-W or SJTOW-A cord types.

- To reduce the risk of electrical shock, this unit has a polarized plug (one blade is wider than the other). This unit will fit with a polarized plug in one way only. If the plug does not fit fully into the unit, reverse the plug. If it still does not fit, use a cord with the correct connection. Do not modify the unit in any way.

MINIMUM WIRE SIZE FOR EXTENSION CORDS FOR 120 VOLT APPLIANCES USING 0-12 AMPS*

Cord length (ft.)	25	50	100	150
Wire size (AWG)*	16	16	16	14

*The wire size (AWG) for appliances using 12 to 16 amps is 14 AWG for 25 feet, 12 AWG for 50 feet, and not recommended for 100 or 150 feet.

- **CORD SETS:** Make sure your cord set is in good condition, with a cord that is heavy enough to carry the current that your unit will draw. An undersized cord set will cause a drop in line voltage resulting in a loss of power, as well as overheating. The table shown above illustrates the correct size to use depending on the cord length and nameplate amperage rating. If in doubt, use the next heavier size line gauge. The smaller the gauge number, the heavier the cord. To prevent the cord from disconnecting from the unit, use the cord hook shown in the *Operating Instructions*.
- Ground Fault Circuit Interrupter (GFCI) protection should be provided on the circuit(s) or outlet(s) that will be used for the unit. Use receptacles with built-in GFCI protection for an extra measure of safety.

RULES FOR SAFE OPERATION

- A nameplate on your unit indicates the voltage used. Never connect the unit to an AC voltage that differs from this voltage.
- Inspect all extension cords and the unit power connection periodically. Look closely for deterioration, cuts or cracks in the insulation. Also inspect the connections for damage. Repair or replace the cords if any defects appear.
- Avoid dangerous environments. Never operate your unit in damp or wet conditions. Moisture is a shock hazard.
- Do not use the unit in the rain.
- Do not handle the plug or the unit with wet hands.

WHILE OPERATING

- Wear safety glasses or goggles that meet current ANSI standards and are marked as such. Also wear ear/hearing protection when operating this unit. Wear a face or dust mask if the operation is dusty.
- Wear heavy, long pants, boots and gloves. Do not wear loose clothing, jewelry, short pants, sandals or go barefoot. Long sleeve shirts are recommended. Secure hair above shoulder level.
- Avoid accidental starting. Do not carry around a unit that is plugged in with your finger on the trigger switch. Be sure the switch is in the off position when plugging in the unit.
- Do not set unit on any surface except a clean, hard area while motor is running. Debris such as gravel, sand, dust, grass, etc. could be picked up by the air intake and thrown out by the discharge opening, damaging unit, property, or causing serious injury to bystanders or operator.
- Use extra care when cleaning on stairs.
- Do not allow to be used as a toy. Close attention is necessary when used by or near children.
- Do not use to pick up flammable or combustible liquids, such as gasoline, or use in areas where they may be present.
- Do not overreach. Always keep proper footing and balance. Do not operate from unstable surfaces like ladders, trees, slopes or rooftops.
- Do not abuse the power cord. Do not pull or carry the unit by the cord, use the cord as a handle, close a door on the cord, or pull the cord around sharp edges or corners. Keep the cord away from heated surfaces, oil and sharp edges.
- Do not unplug by pulling on the cord. To unplug, grasp the plug, not the cord.
- Always remain alert. Use common sense.
- Do not leave the Blower/Vacuum plugged in when not in use, changing tubes, or while being serviced.
- Do not put any object into openings. Do not use with any opening blocked; keep free of dirt, debris and anything that may reduce the air flow.
- Keep hair, loose clothing, fingers, and all parts of body away from openings and moving parts.

- Use only original equipment manufacturer replacement parts when servicing this unit. These parts are available from your authorized service dealer. Do not use unauthorized parts, accessories, or attachments for this unit. Doing so could lead to serious injury to the user, or damage to the unit, and void your warranty.
- Do not force unit. It will do the job better and with less likelihood of injury at a rate for which it was designed.
- Never use the Blower/Vacuum without the blower/vacuum tube and vacuum bag attached.
- Turn off all controls before unplugging.
- Unplug the Blower/Vacuum before attempting to install or remove the blower/vacuum tube or vacuum bag. The unit must be unplugged, and the impeller blades stopped to avoid contact with the rotating blades.

WHILE OPERATING UNIT AS A BLOWER

- Never point the blower in the direction of people or pets, or in the direction of windows. Always direct the blowing debris away from people, animals, and windows. Use extra caution when blowing debris near solid objects such as trees, automobiles, walls, etc.

WHILE OPERATING UNIT AS A VACUUM

- Avoid situations that could catch the vacuum bag on fire. Do not operate near an open flame. Do not vacuum warm ash from fireplaces, barbecue pits, brush piles, etc. Do not vacuum discarded cigars or cigarettes unless the cinders are completely cool.
- The unit is designed to pickup dry material such as leaves, grass, small twigs, and bits of paper. Do not attempt to vacuum wet debris and/or standing water as this may result in damage to the blower/ vacuum. To avoid severe damage to the impeller, do not vacuum metal, broken glass, etc.

OTHER SAFETY WARNINGS

- Be sure to secure the unit while transporting.
- Store the unit in a dry area, locked up to prevent unauthorized use or damage, and stored in a high place out of the reach of children.
- Never douse or squirt the unit with water or any other liquid. Keep handles dry, clean and free from debris. Clean after each use. See the *Cleaning and Storage* instructions.
- Keep these instructions. Refer to them often and use them to instruct other users. If you loan someone this unit, also loan them these instructions.

SAVE THESE INSTRUCTIONS

RULES FOR SAFE OPERATION

SAFETY AND INTERNATIONAL SYMBOLS

This operator's manual describes safety and international symbols and pictographs that may appear on this product. Read the operator's manual for complete safety, assembly, operating and maintenance and repair information.

SYMBOL

MEANING

SYMBOL

MEANING



- **SAFETY ALERT SYMBOL**

Indicates danger, warning, or caution. May be used in conjunction with other symbols or pictographs.



- **DO NOT USE IN THE RAIN**

WARNING: Avoid dangerous environments. Never operate your unit in the rain, or in damp or wet conditions. Moisture is a shock hazard.



- **WARNING - READ OPERATOR'S MANUAL**

Read the Operator's Manual(s) and follow all warnings and safety instructions. Failure to do so can result in serious injury to the operator and/or bystanders.



- **BLOWERS - ROTATING IMPELLER BLADES CAN CAUSE SEVERE INJURY**

WARNING: Stop the motor and allow the impeller to stop before opening the vacuum door, installing or changing tubes or bag, or before cleaning or performing any maintenance.



- **WEAR EYE AND HEARING PROTECTION**

WARNING: Thrown objects and loud noise can cause severe eye injury and hearing loss. Wear eye protection meeting current ANSI standards and ear protection when operating this unit. Use a full face shield when needed.



- **BLOWER/VACUUM MODE CHANGE-OVER LEVER**

A - Vacuum mode
B - Blower mode



- **THROWN OBJECTS AND ROTATING CUTTER CAN CAUSE SEVERE INJURY**

WARNING: Keep clear of blower outlet. Never point the blower at yourself or others. Objects can be thrown from blower. Do not operate unit without proper attachments and guards in place.



- **KEEP BYSTANDERS AWAY**

WARNING: Keep all bystanders, especially children and pets, at least 50 feet (15 m.) from the operating area.



- **DOUBLE INSULATED**

Two systems of insulation are provided instead of grounding. There is no grounding provided and no means of grounding should be added to this unit.

KNOW YOUR UNIT

APPLICATION

As a blower:

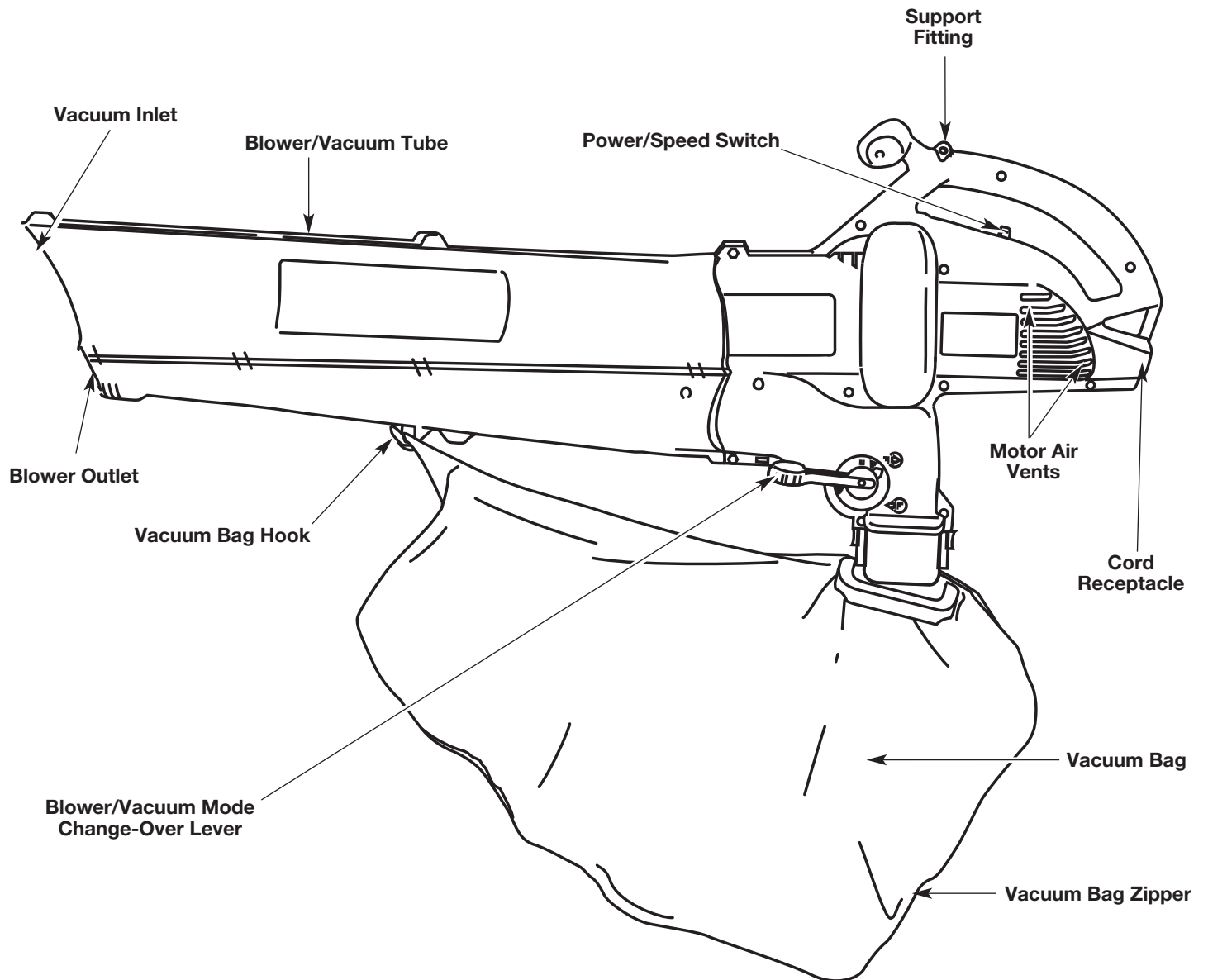
- Cleaning of yards, garages, driveways, porches, patios, around walls, fences, etc.

As a vacuum:

- Picking up leaves, light debris, etc.

ASSEMBLY TOOLS REQUIRED:

- Medium flat-head screwdriver or T-20 Torx® screwdriver



ASSEMBLY INSTRUCTIONS

ATTACHING AND REMOVING THE BLOWER/VACUUM TUBE



WARNING: To avoid serious personal injury, the blower/vacuum tube and vacuum bag must be used when operating this unit.

Attaching

NOTE: The blower/vacuum tube comes unassembled on this unit. Installation is required to provide safe and easy use for the operator.



WARNING: To prevent serious injury, make sure the unit is in the off position, it is unplugged, and the impellers have stopped before attaching or removing tubes.

1. Remove the screws and nuts provided from the hardware pack.
2. Insert the blower/vacuum tube all the way into the opening on the motor housing until the holes in the tabs on the blower/vacuum tube align with the screw holes in the housing (Fig. 1).
3. Insert the 2 (two) 8-32 x 3/4" slotted T20 Torx screws into the right side of the motor housing and the 2 (two) nuts into the left side of the motor housing (Fig. 1).

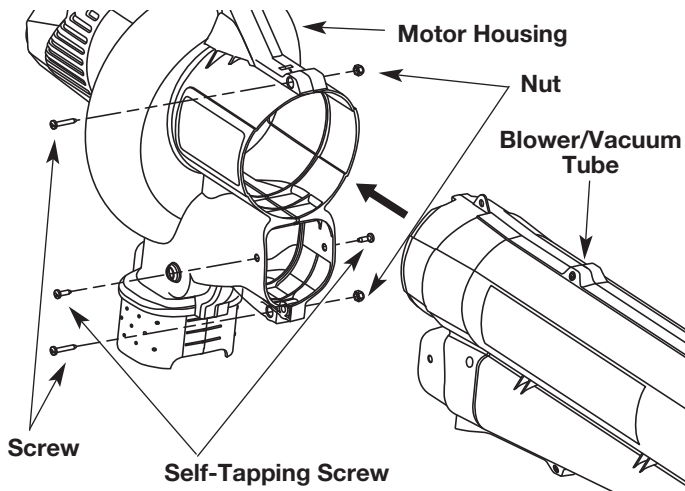


Fig. 1

4. Tighten the screws firmly. Do not over-tighten.
5. Install the 2 (two) remaining self-tapping 8-16 x 3/4" slotted T20 Torx screws into the holes on either side of the housing (Fig. 1). Tighten until snug, do not over-tighten.

Removing

NOTE: It may be necessary to remove the blower/vacuum tube to clear a blocked tube or impeller.



WARNING: To prevent serious injury, make sure the unit is in the off position, it is unplugged, and the impellers have stopped before attaching or removing tubes.

1. Remove the 2 (two) self-tapping screws from either side of the housing.
2. Remove the 2 (two) screws and nuts holding the blower/vacuum tube on the housing (Fig. 2).

NOTE: Keep the hardware in a safe place for future use.

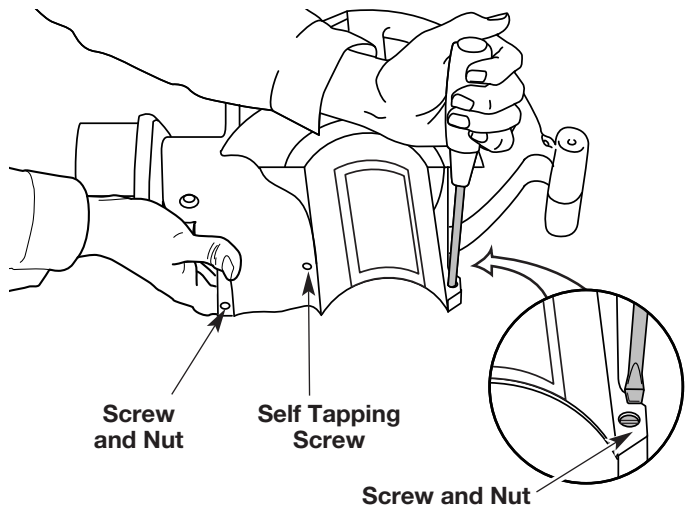


Fig. 2

3. Remove the blower/vacuum tube from the motor housing.
4. Replace blower/vacuum tube before use.

ASSEMBLY INSTRUCTIONS

ATTACHING AND REMOVING THE VACUUM BAG

Attaching

1. Attach the vacuum bag to the vacuum bag hook on the blower/vacuum tube (Fig. 3).

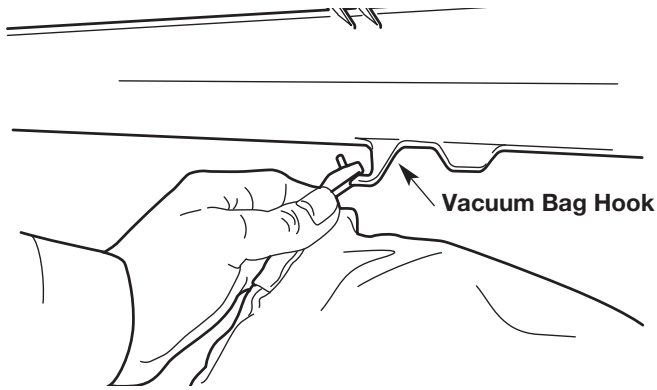


Fig. 3

2. Slide the vacuum bag tube over the debris exhaust tube on the housing. Push the tube until the latching tabs on both sides click into place, securing the bag on the unit (Fig. 4).

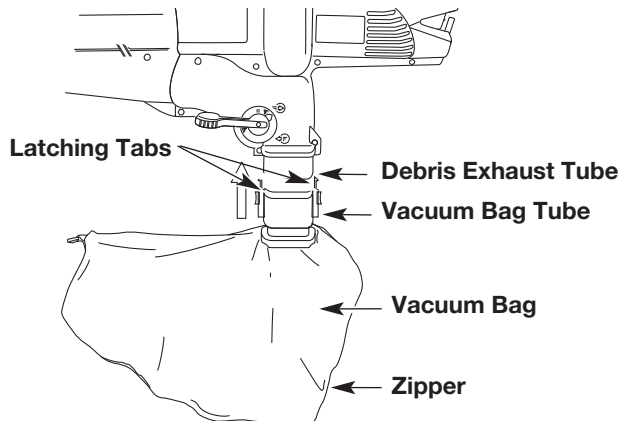


Fig. 4

Removing

1. Press the latching tabs on both sides of the vacuum bag tube and pull the vacuum bag down from the unit (Fig. 5).
2. Detach the vacuum bag from the vacuum bag hook.

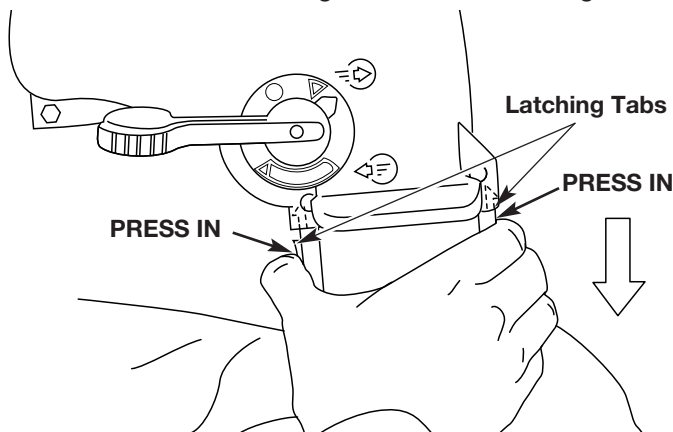


Fig. 5

INSTALLING THE SHOULDER HARNESS (Optional)

The shoulder strap is an optional accessory.

1. Push the strap through the center of the buckle.
2. Pull the strap over the cross bar and down through the slot in the buckle (Fig. 6).

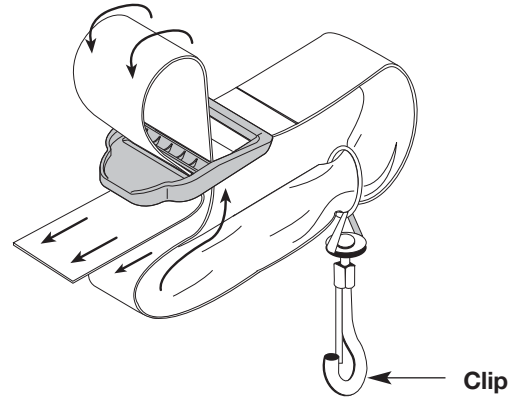


Fig. 6

3. Snap the clip on to the support fitting (Fig. 7).

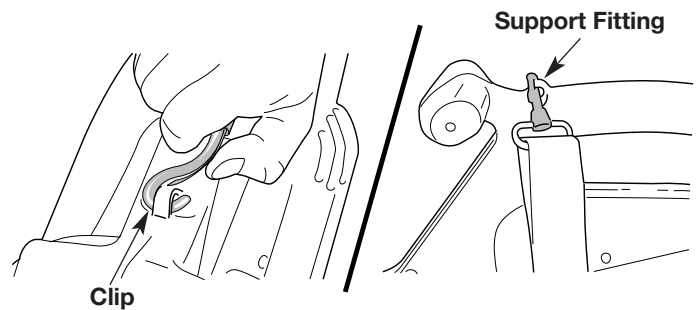


Fig. 7

4. While standing in the operating position adjust length to fit the operator's size. Pull tab to lengthen, pull strap to shorten (Fig 8).

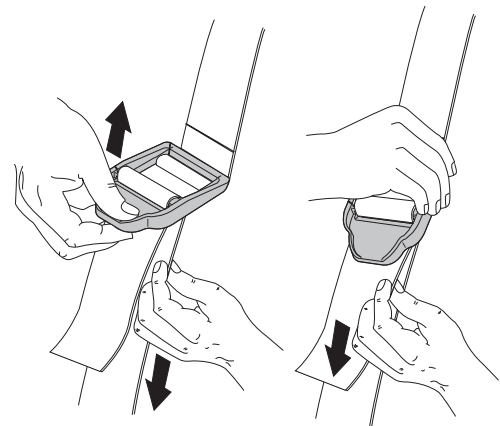


Fig. 8

OPERATING INSTRUCTIONS

CONNECTING THE POWER CORD

Use a minimum 25 foot (7.6 m) long, 16AWG, outdoor electrical cord when using this unit. Other sizes include:

MINIMUM WIRE SIZE FOR EXTENSION CORDS FOR 120 VOLT APPLIANCES USING 0-12 AMPS				
Cord length (ft.)	25	50	100	150
Wire size (AWG)	16	16	16	14



WARNING: To reduce the risk of electrical shock, this unit has a polarized plug (one blade is wider than the other) and will require the use of a polarized extension cord.

This unit plug will only fit into a polarized extension cord in one orientation. If the plug does not fully fit into the extension cord, reverse the plug. If the plug still does not fit, obtain a correct polarized extension cord.

A polarized extension cord will require the use of a polarized wall outlet. This plug will only fit into a polarized wall outlet in a specific orientation. If the plug does not fit fully into the wall outlet, reverse the plug. If the plug still does not fit, contact a qualified electrician to install the proper wall outlet. Do not change the unit plug, extension cord receptacle, or extension cord plug in any way.

1. Secure the extension cord to the motor housing as shown (Fig. 9). This prevents accidental removal of the electrical cord.

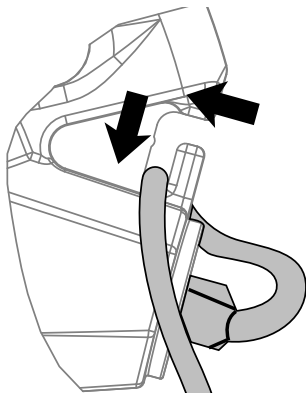


Fig. 9

2. Plug the female end of the electrical cord into the receptacle at the back of the unit (Fig. 10).

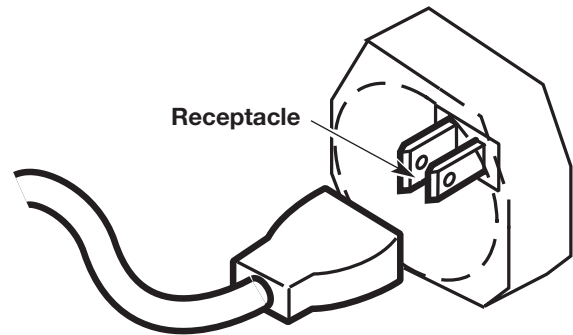


Fig. 10

STARTING/STOPPING INSTRUCTIONS

This unit is equipped with a three-way (OFF/ LOW/ HIGH) switch (Fig. 11):

- Slide the switch all the way down for **OFF**.
- Slide the switch up to the first click for **LOW**.
- Slide the switch up to the second click for **HIGH**.

Once the unit is plugged in, stand in the operating position (Fig. 12). Slide the power/speed switch to LOW or HIGH to start the unit. To stop the unit, slide the switch to OFF (Fig. 11).

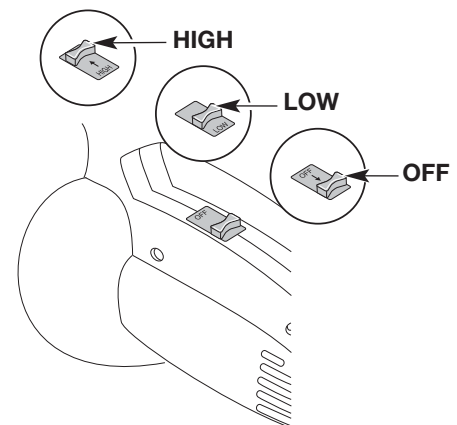


Fig. 11

OPERATING INSTRUCTIONS

HOLDING THE BLOWER/VACUUM

Before operating the unit, stand in the operating position. (Fig. 12). Check for the following:

- Operator is wearing proper clothing, such as boots, safety glasses or goggles, ear/hearing protection, gloves, long pants and long sleeve shirt



WARNING: To avoid serious personal injury, wear goggles or safety glasses at all times when operating this unit. Wear a face mask or dust mask in dusty locations.

- If the conditions are dusty, the operator is wearing a dust mask or face mask
- The unit is in good working condition
- The tubes and bag are in place and secure



WARNING: To prevent serious personal injury or damage to the unit, make sure blower tubes or vacuum tubes and the vacuum bag are in place before you operate the unit.

- The vacuum bag is installed and zipped closed (when used as a vacuum)

OPERATING TIPS

- Be sure the vacuum bag is zipped closed before operating the unit.
- Assure the unit is not directed at anybody or any loose debris before starting the unit.
- Verify that the unit is in good working condition. Make sure the tubes and guards are in place and secure.
- Always hold the unit with both hands when operating. Keep a firm grip on both the front and rear handle or grips.
- To reduce the risk of hearing loss associated with sound level(s), hearing protection is required.



Fig. 12

- Operate power equipment only at reasonable hours— not early in the morning or late at night when people might be disturbed. Comply with times listed in local ordinances. Usual recommendations are 9:00 am to 5:00 pm, Monday through Saturday.
- To reduce noise levels, limit the number of pieces of equipment used at any one time.
- To reduce noise levels, operate power blowers at the lowest possible speed to do the job.
- Use rakes and brooms to loosen debris before blowing.
- In dusty conditions, slightly dampen surfaces or use a mister attachment when water is available.
- Conserve water by using power blowers instead of hoses for many lawn and garden applications, including areas such as gutters, screens, patios, grills, porches, and gardens.
- Watch out for children, pets, open windows or freshly washed cars, and blow debris safely away.
- Clean up after using blowers and other equipment. Dispose of debris appropriately.

AIR VENTS

Never cover air vents. Keep them free from obstructions and debris. They must always remain clear for proper motor cooling (Fig. 13).

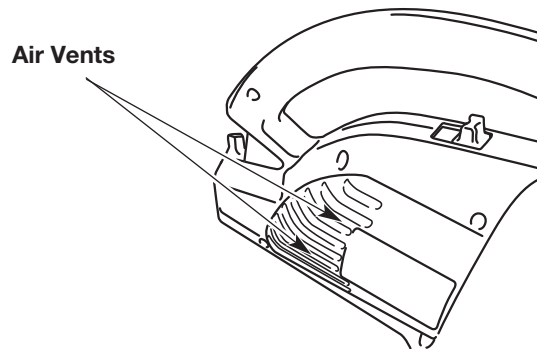


Fig. 13



WARNING: To avoid serious personal injury, do not wear loose fitting clothing or articles such as scarves, strings, chains, ties, etc. that could get drawn into the air vents. To make sure long hair does not get drawn into the air vents secure hair above shoulder level.

OPERATING INSTRUCTIONS

OPERATING AS A BLOWER

Converting to a Blower

1. Start the unit. See *Starting/Stopping Instructions*.
2. Set the blower/vacuum mode change-over lever to the up position (Blower Mode) (Fig. 14).

NOTE: Never use the unit with the lever in a position half way between either mode.

3. If you are using the optional shoulder harness, place it over your head and onto your shoulder and adjust it. Refer to *Installing the Shoulder Harness*.

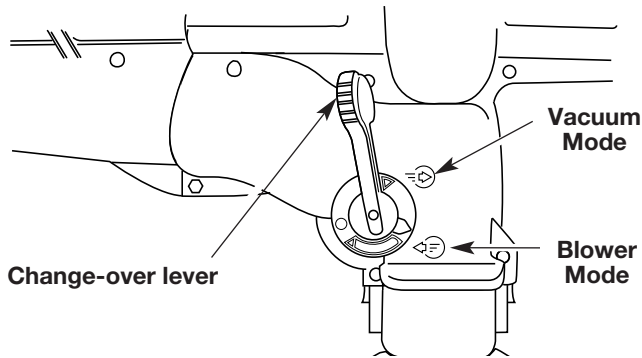


Fig. 14

Blower Operating Procedures

Hold the blower as shown in Figures 15, 16 and 17. Sweep from side to side with the nozzle several inches above the ground or floor. Slowly advance the unit, keeping the accumulated pile of debris in front of you.

Most dry blowing operations are better suited to low speeds, rather than high. High speed blowing is a better way to move heavier items like large debris or gravel.

1. Use the blower for trees, shrubs, flower beds and hard-to-clean areas (Fig. 15).
2. Use the unit around buildings and for other normal cleaning procedures (Fig. 16).
3. Use the blower around walls, overhangs, fences and screens (Fig. 17).



Fig. 15

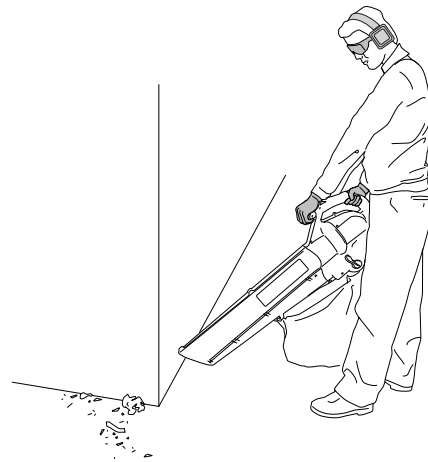


Fig. 16

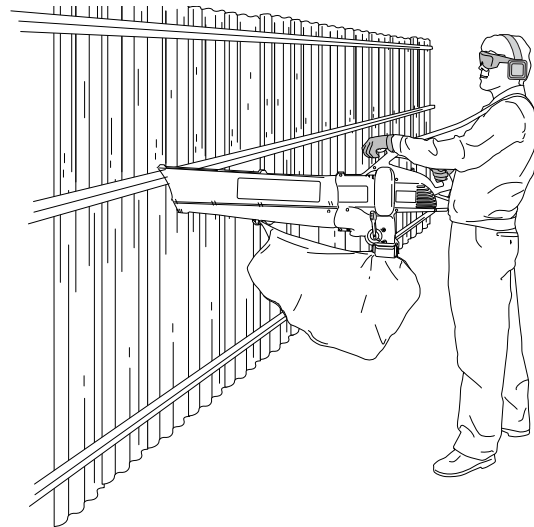


Fig. 17

OPERATING INSTRUCTIONS

OPERATING AS A VACUUM

Converting to Vacuum

1. Start the unit. See *Starting/Stopping Instructions*.
2. Set the blower/vacuum mode change-over lever to the down position (Vacuum Mode) (Fig. 18).

NOTE: Never use the unit with the lever in a position half way between either mode.

3. If you are using the optional shoulder harness, place it over your head and onto your shoulder and adjust it. Refer to *Installing the Shoulder Harness*.

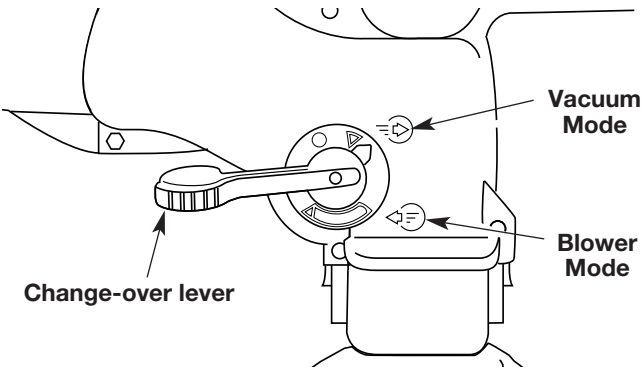


Fig. 18



Fig. 19



WARNING: To avoid serious personal injury, never unzip the vacuum bag without stopping the unit first.



WARNING: As a vacuum, the unit is designed to pick up dry material such as leaves, grass, small twigs and bits of paper. To avoid serious personal injury, do not attempt to vacuum wet debris and/or standing water as this may result in damage to the blower/vacuum. To avoid severe damage to the impeller, do not vacuum metal, broken glass or similar items.



WARNING: Avoid situations that could catch the vacuum bag on fire. Do not operate near an open flame. Do not vacuum warm ash from fireplaces, barbecue pits, brush piles, etc. Do not vacuum discarded cigars or cigarettes unless the cinders are completely cool.

NOTE: Empty the bag after each use to avoid deterioration and obstructing air flow, which will reduce the performance of the vacuum



WARNING: To prevent serious personal injury or damage to the unit, always install vacuum tubes, the vacuum bag and make sure the vacuum bag is completely zipped closed when operating this unit as a vacuum.

Vacuum Operation Procedures

Check for the following before operating the unit:

- Operator is wearing proper clothing, such as boots, safety glasses or goggles, ear/hearing protection, gloves, long pants and long sleeve shirt
- If the conditions are dusty, operator is equipped with a dust mask or face mask
- The unit is in good working condition-- the vacuum tubes and vacuum bag are in place and secure.
- The vacuum bag harness is in place and correctly adjusted

Use the unit for vacuuming up light debris like leaves and paper.

Hold the vacuum, tilting the suction tube slightly (2-4 in or 50-100 mm), and use a sweeping action to collect light debris (Fig. 19). The debris will flow into the vacuum bag. Items such as small leaves and small twigs will be mulched as they pass through the fan housing, allowing the vacuum bag to hold more debris.

When the bag is full, suction will noticeably decrease. Turn off the unit and allow the impeller to stop before you unzip the bag. Unzip the bag and empty the contents before continuing. Refer to *Emptying the Vacuum Bag*.

OPERATING INSTRUCTIONS

CLEARING A BLOCKED TUBE / IMPELLER



WARNING: To avoid serious personal injury, be sure the unit is off and unplugged before clearing the impeller.



WARNING: To avoid serious personal injury, always wear gloves to protect yourself from the impeller blades or other sharp objects.

1. Slide the Power/Speed switch down in the **OFF** position until the unit comes to a complete stop (Fig. 11).
2. Unplug the unit.
3. Remove the vacuum bag and then the blower/vacuum tube.
4. Carefully remove material blocking the tube or impeller. Inspect the blades to assure no damage has occurred. Rotate the impeller blades by hand to assure the blockage is completely cleared.
5. Reinstall the blower/vacuum tube and the vacuum bag.
6. Plug the unit back into the power supply.

EMPTYING THE VACUUM BAG



WARNING: To avoid serious personal injury, never unzip or remove the vacuum bag without first turning the unit off.

NOTE: Empty the bag after each use to avoid deterioration and obstructing air flow, which will reduce the performance of the vacuum.

1. Unplug the unit.
2. While pressing the latching tabs on both sides of the vacuum bag tube, pull the vacuum bag down off the unit (Fig. 20).



WARNING: Wear eye protection and a dust mask when emptying the vacuum bag.

3. Detach the vacuum bag from the vacuum bag hook.

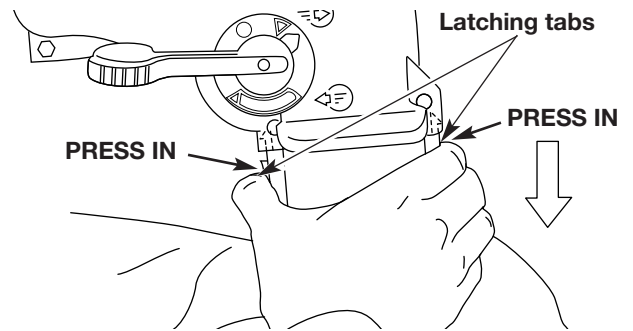


Fig. 20

4. Unzip the bag and empty the contents into a garbage bag or container.
5. Turn the bag inside out after initial emptying and vigorously shake out dust and debris.
6. Return the bag to outside in, zip the bag closed and reinstall vacuum bag.
7. Plug the unit back into the power supply.

MAINTENANCE AND REPAIR INSTRUCTIONS

SERVICING DOUBLE INSULATED UNITS

This unit is double-insulated. In a double-insulated unit, two systems of insulation are provided instead of grounding. There is no grounding provided and no means of grounding should be added to this unit.

Extreme care and knowledge of the system is required when servicing a double-insulated unit. Service should be performed by qualified service personnel only. Replacement parts for a double-insulated unit must be identical to the parts they replace. Refer any repair to an authorized service dealer. A double-insulated unit is marked with the words “double insulation” or “double insulated.”

CLEANING THE UNIT



WARNING: To avoid serious personal injury, always turn your unit off and unplug it before you clean or service it.

Use a small brush to clean off the outside of the unit. Do not use strong detergents. Household cleaners that contain aromatic oils such as pine and lemon, and solvents such as kerosene, can damage plastic housing or handle. Wipe off any moisture with a soft cloth.

CLEANING THE VACUUM BAG

1. Empty the bag after each use to avoid deterioration and obstructing air flow, which will reduce the performance of the vacuum.
2. Wearing eye protection and a dust mask, clean the bag as needed. Turn the bag inside out after initial emptying and vigorously shake out dust and debris.

3. Wash the bag once a year or more often if needed:
 - a. Remove the vacuum bag.
 - b. Turn bag inside out.
 - c. Hang it up.
 - d. Hose it down thoroughly.
 - e. Hang to dry.
 - f. Turn bag right-side out and reinstall.

STORAGE

- Store the unit locked up to prevent unauthorized use or damage.
- Store the unit in a dry, well-ventilated area.
- Store the unit out of the reach of children.

INSPECT EXTENSION CORDS

Inspect all extension cords periodically. Look closely for deterioration, cuts or cracks in the insulation. Inspect the connectors for damage. Replace cords if defective or damaged.

SPECIFICATIONS*

Motor Voltage.....	A.C., 120 Volts Electric
Motor Amperage.....	12 Amps
Blower Air Output	up to 150 mph (241.4 kmh)
Vacuum Air Flow	up to 350 cfm (9.9 cmm)
Mulching Ratio.....	up to 10:1
Operating Weight	10 lb (4.5 kg)
Vacuum Bag Capacity	0.75 bushels (26.4 L)

* All specifications are based on the latest product information available at the time of printing. We reserve the right to make changes at any time without notice.

TROUBLESHOOTING

UNIT WILL NOT BLOW OR VACUUM

CAUSE	ACTION
Bag full	Empty bag, as described in <i>Empty the Vacuum Bag</i>
Blocked tube	Clear the blockage as described in <i>Clearing a Blocked Tube/ Impeller</i>
Blocked impeller	Clear the blockage as described in <i>Clearing a Blocked Tube/ Impeller</i>
Damaged impeller	Take the unit to an authorized service dealer
Dirty bag	Clean the vacuum bag
Torn bag	Replace the vacuum bag
Bag unzipped	Zip up the vacuum bag
Unit unplugged	Plug into an extension cord

UNIT WILL NOT START

CAUSE	ACTION
Unit is unplugged	Check cord to make sure it is plugged into an electrical outlet
Power/Speed switch is in the OFF position	Slide switch to HIGH or LOW
GFCI in outlet has tripped (if used)	Reset GFCI

If further assistance is required, contact your authorized service dealer.

NOTES

NOTES

MANUFACTURER'S LIMITED WARRANTY FOR:

REMINGTON®

The limited warranty set forth below is given by Remington LLC (Remington) with respect to new merchandise purchased and used in the United States, its possessions and territories.

Remington warrants this product against defects in material and workmanship for a period of two (2) years commencing on the date of original purchase and will, at its option, repair or replace, free of charge, any part found to be defective in material or workmanship. This limited warranty shall only apply if this product has been operated and maintained in accordance with the Operator's Manual furnished with the product, and has not been subject to misuse, abuse, commercial use, neglect, accident, improper maintenance, alteration, vandalism, theft, fire, water or damage because of other peril or natural disaster. Damage resulting from the installation or use of any accessory or attachment not approved by Remington for use with the product(s) covered by this manual will void your warranty as to any resulting damage.

HOW TO OBTAIN SERVICE: Warranty service is available, WITH PROOF OF PURCHASE THROUGH YOUR LOCAL AUTHORIZED SERVICE DEALER. To locate the dealer in your area, visit our website at www.remingtonpowertools.com, check for a listing in the Yellow Pages, call **1-866-206-2707** or **1-877-696-5533** in Canada, or write to P.O. Box 361032, Cleveland, OH 44136. No product returned directly to the factory will be accepted unless prior written permission has been extended by the Customer Service Department of Remington.

This limited warranty does not provide coverage in the following cases:

- A. Tune-ups - Spark Plugs, Carburetor Adjustments, Filters
- B. Wear items - Bump Knobs, Outer Spools, Cutting Line, Inner Reels, Starter Pulley, Starter Ropes, Drive Belts, Saw Chains, Guide Bars, Cultivator Tines.
- C. Remington does not extend any warranty for products sold or exported outside of the United States of America, its possessions and territories, except those sold through Remington's authorized channels of export distribution.

Remington reserves the right to change or improve the design of any Remington Product without assuming any obligation to modify any product previously manufactured.

No implied warranty, including any implied warranty of merchantability or fitness for a particular purpose, applies after the applicable period of express written warranty above as to the parts as identified. No other express warranty or guaranty, whether written or oral, except as mentioned above, given by any person or entity, including a dealer or retailer, with respect to any product shall bind Remington. During the period of the Warranty, the exclusive remedy is repair or replacement of the product as set forth above. (Some states do not allow limitations on how long an implied warranty lasts, so the above limitation may not apply to you.)

The provisions as set forth in this Warranty provide the sole and exclusive remedy arising from the sales. Remington shall not be liable for incidental or consequential loss or damages including, without limitation, expenses incurred for substitute or replacement lawn care services, for transportation or for related expenses, or for rental expenses to temporarily replace a warranted product. (Some states do not allow limitations on how long an implied warranty lasts, so the above limitation may not apply to you.)

In no event shall recovery of any kind be greater than the amount of the purchase price of the product sold. Alteration of the safety features of the product shall void this Warranty. You assume the risk and liability for loss, damage, or injury to you and your property and/or to others and their property arising out of the use or misuse or inability to use the product.

This limited warranty shall not extend to anyone other than the original purchaser, original lessee or the person for whom it was purchased as a gift.

How State Law Relates to this Warranty: This warranty gives you specific legal rights, and you may also have other rights which vary from state to state.

To locate your nearest service dealer, dial **1-866-206-2707** in the United States or **1-877-696-5533** in Canada.

REMINGTON LLC
P.O. Box 361032
Cleveland, OH 44136

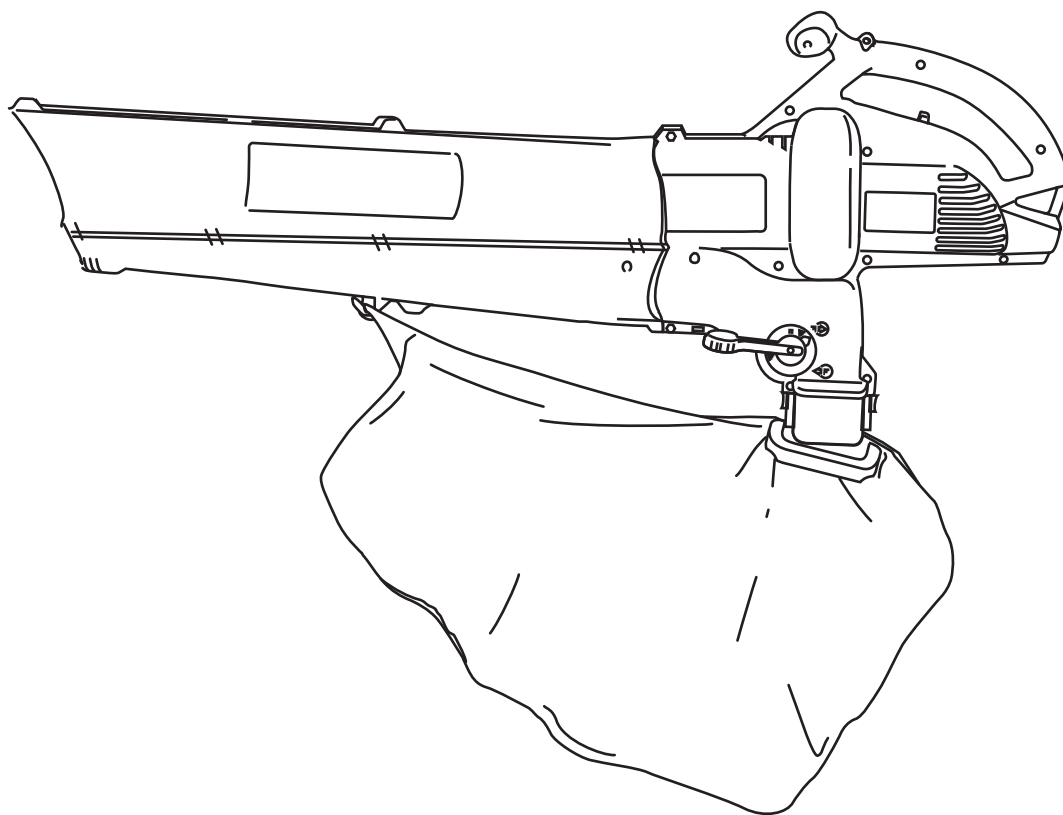
REMINGTON®

Manuel de l'utilisateur

RM1300

Souffleuse Aspirateur À Pailer Électrique

Français



**CONSERVEZ CES INSTRUCTIONS
À NE PAS JETER**

INTRODUCTION

NE RAMENEZ PAS CET APPAREIL CHEZ LE DÉTAILLANT. UNE PREUVE D'ACHAT SERA EXIGÉE POUR TOUTE PRISE EN CHARGE DANS LE CADRE DE LA GARANTIE.

Si vous éprouvez des difficultés à assembler ce produit ou si vous avez des questions sur les commandes, l'utilisation ou l'entretien de cet appareil, veuillez contacter le service à la clientèle en composant le **1-866-206-2707** aux États-Unis ou le **1-877-696-5533** au Canada. Des informations supplémentaires sont disponibles sur notre site web : **www.remingtonpowertools.com**.

Pour un entretien ou une réparation, veuillez appeler le service clientèle pour obtenir une liste complète des professionnels agréés près de chez vous. L'entretien de cet appareil doit être confié exclusivement à un professionnel agréé pendant et après la période de garantie. Utilisez uniquement des pièces de rechange identiques.

Prenez soin de lire et de bien comprendre ce manuel avant de démarrer ou de faire fonctionner cet équipement.

TABLE DES MATIÈRES

Service technique20
Consignes de sécurité20
Familiarisez-vous avec votre appareil24
Instructions de montage25
Mode d'emploi27
Entretien et réparations32
Caractéristiques33
Tableau de dépannage33
Garantie36

Toutes les informations, illustrations et spécifications contenues dans ce manuel tiennent compte des dernières informations techniques disponibles au moment de mettre sous presse. Nous nous réservons le droit d'y apporter des modifications à tout moment, sans préavis.




Copyright © 2012 MTD SOUTHWEST INC., Tous droits réservés.

CONSIGNES DE SÉCURITÉ

Les symboles de sécurité attirent votre attention sur des dangers potentiels. Ces symboles et leurs détails explicatifs méritent que vous les lisiez et compreniez bien. Les avertissements de sécurité ne peuvent éviter les dangers de par eux-mêmes. Les consignes ou mises en garde qu'ils donnent ne remplacent pas des mesures préventives appropriées contre les accidents.

SYMBOLE	SIGNIFICATION
	ALERTE DE SÉCURITÉ: indique un danger, un avertissement ou une mise en garde. Soyez vigilant afin d'éviter toute blessure grave. Ce symbole peut être combiné à d'autres symboles ou pictogrammes.

REMARQUE: donne des informations ou des instructions vitales pour le fonctionnement ou l'entretien de l'équipement.

SYMBOLE	SIGNIFICATION
	DANGER: le non-respect d'un avertissement peut causer dommages matériels ou blessures graves pour tous. Respectez les consignes de sécurité afin de réduire les risques d'incendie, d'électrocution et de blessures.
	AVERTISSEMENT: le non-respect d'un avertissement peut causer dommages matériels ou blessures graves pour tous. Respectez les consignes de sécurité afin de réduire les risques d'incendie, d'électrocution et de blessures.
	MISE EN GARDE: le non-respect d'un avertissement peut causer dommages matériels ou blessures graves pour tous. Respectez toujours les consignes de sécurité afin de réduire les risques d'incendie, d'électrocution et de blessures.

CONSIGNES DE SÉCURITÉ

• IMPORTANTES CONSIGNES DE SÉCURITÉ •



PROPOSITION DE LOI 65 DE CALIFORNIE

AVERTISSEMENT :

Les bornes de batterie, les cosses et certains composants finis contiennent du plomb, des éléments à base de plomb et des produits chimiques connus de l'État de Californie comme étant à l'origine de cancers, de malformations congénitales ou autres anomalies de la reproduction. Lavez-vous les mains après manipulation.

LIRE TOUTES LES INSTRUCTIONS AVANT UTILISATION



AVERTISSEMENT :

Suivez soigneusement les consignes de sécurité lorsque vous utilisez cet appareil. Dans l'intérêt de votre sécurité et de celle des personnes à proximité, prenez soin de lire ces instructions avant de faire fonctionner la machine. Veuillez garder les instructions en lieu sûr pour usage ultérieur.

- Lire les instructions attentivement. Se familiariser avec les commandes et l'utilisation correcte de cet outil.
- Ne pas utiliser l'outil si vous êtes fatigué, malade ou sous l'effet de l'alcool, de drogues ou de médicaments.
- Les enfants de moins de 15 ans ne doivent pas utiliser l'outil, exception faite des adolescents sous surveillance d'un adulte.
- Avant chaque utilisation, inspectez l'appareil pour vérifier qu'il ne comporte pas de pièces desserrées ou endommagées. Évitez de l'utiliser jusqu'à ce que les réglages ou réparations aient été effectués.
- Tous les accessoires de sécurité et protections doivent être correctement installés avant utilisation.
- Utilisez les outils appropriés. Utilisez l'appareil strictement selon les consignes du manuel. Ne l'utilisez pas pour des tâches autres que celles pour lesquelles il a été conçu. Utilisez les accessoires recommandés par le fabricant uniquement.
- Inspectez la zone de travail avant de démarrer l'appareil. Enlevez tous les débris et objets durs ou tranchants tel que verre, fils métalliques, etc.



DANGER: respectez toujours les consignes de sécurité durant l'utilisation d'appareils de jardinage électriques afin de réduire les risques d'incendie, d'électrocution et de blessures. Prenez soin de bien lire et comprendre tout le manuel de l'utilisateur avant d'utiliser la souffeuse/aspirateur. Faites particulièrement attention au mode d'emploi et aux avertissements de sécurité.

- Utilisez l'appareil en plein jour ou avec un bon éclairage.
- Éloignez tout spectateur, les enfants et les animaux domestiques en particulier, d'au moins 15 m (50 pieds) de l'appareil lorsque celui-ci est en marche.

AVERTISSEMENTS DE SÉCURITÉ ÉLECTRIQUE

- Comme cet outil comporte une isolation double, il est donc possible d'utiliser des rallonges à 2 conducteurs (rallonges sans terre). Cependant, il est tout à fait possible d'utiliser des rallonges à 3 conducteurs (rallonges avec fil de terre), qui comportent des fiches de type NEMA (fiches parallèles, fiche terre en forme de U). Ces rallonges sont disponibles auprès de votre revendeur local. Veuillez à n'utiliser que des rallonges à section circulaire, approuvées pour une utilisation extérieure.
- Cet outil comporte une isolation double. Tout cordon électrique endommagé doit être réparé ou remplacé.



AVERTISSEMENT: Pour réduire le risque de choc électrique, utilisez uniquement des rallonges électriques approuvées pour une utilisation extérieure., comme par exemple les rallonges à cordons de type SW-A, SOW-A, STW-A, STOW-A, SJW-A, SJOW-A, SJTW-W ou SJTOW.

- Pour réduire le risque de choc électrique, cet appareil est pourvu d'une fiche polarisée (une lame est plus large que l'autre). Cet appareil ne peut être inséré dans une prise polarisée que d'une seule manière. S'il n'est pas possible d'insérer entièrement la fiche dans la prise, essayez de brancher la fiche dans l'autre sens. Si malgré tout, il n'est pas possible d'insérer la fiche, remplacez le cordon par un cordon qui comporte les bonnes fiches. Ne modifiez cet appareil en aucun cas.

CALIBRE MINIMUM DES RALLONGES ALIMENTANT DES APPAREILS 120V, A COURANT DE CHARGE DE 0-12 AMPS*

Long. de cordon (pieds)	25	50	100	150
Calibre du cordon (AWG)*	16	16	16	14

*La grosseur du fil (AWG) pour l'ampérage de 12 à 16 ampères est de 14 AWG pour 25 pieds, de 12 AWG pour 50 pieds et n'est pas recommandé pour 100 ou 150 pieds.

CONSIGNES DE SÉCURITÉ

- **JEUX DE CORDONS:** Vérifiez que votre jeu de cordons est en bon état de fonctionnement. Si vous utilisez un jeu de cordons, assurez-vous de bien utiliser un cordon de calibre suffisant pour laisser passer le courant de charge de votre appareil. Un jeu de cordons à section trop faible risque de provoquer des chutes de tension de ligne, qui entraînent une perte de puissance et une surchauffe. Le tableau ci-dessus indique la taille adéquate à utiliser en fonction de la longueur de cordon et de l'intensité du courant électrique assignée sur la plaque signalétique. En cas de doute, utilisez la section de câble immédiatement supérieure. Un numéro de calibre faible correspond à une forte section de câble. Référez-vous à la *Mode D'emploi* pour réduire le risque de débranchement du cordon de l'appareil pendant le fonctionnement, du jeu de cordons.
- Le(s) circuit(s) électrique(s) ou la(les) prise(s) d'alimentation de cet outil de jardinage doit/doivent comporter une protection de type GFCI (qui coupe le circuit en cas de défaut de terre). Il existe des prises qui comportent une protection GFCI, et que l'on peut utiliser dans ce cas de figure.
- Votre appareil est pourvu d'une plaquette du constructeur, qui indique le type de tension à utiliser. N'alimentez jamais cet appareil avec une tension alternative différente de celle affichée.
- Procédez à une inspection périodique de vos rallonges électriques et de la fiche de raccord de votre appareil. Examinez plus particulièrement l'isolation qui ne doit pas présenter de traces de détérioration, de coupures ou de mise à nu. Inspectez également les raccords qui doivent être en bon état. Si les cordons paraissent endommagés, remplacez les ou réparez les.
- Évitez d'utiliser cet appareil dans des conditions dangereuses. Ne le faites jamais fonctionner en atmosphère humide ou mouillée. L'humidité constitue un danger réel de choc électrique.
- N'utilisez pas cet appareil sous la pluie.
- Ne touchez pas la fiche ou l'appareil lui-même si vos mains sont mouillées.

PENDANT L'UTILISATION

- Porter des lunettes de sécurité qui respectent les normes courantes de l'ANSI et qui en portent la mention. Portez une protection auditive/protecteurs auriculaires lorsque vous utilisez cet appareil. Portez un masque facial ou antipoussières si vous travaillez dans un lieu poussiéreux.
- Portez des pantalons épais et longs, des bottes et des gants. Ne marchez pas pieds nus et évitez les vêtements lâches, bijoux, pantalons courts et sandales. Des chemises à longues manches sont recommandées. Relevez les cheveux au-dessus des épaules.
- Évitez tout démarrage accidentel. Ne transportez pas l'appareil branché, le doigt sur l'interrupteur. Mettez ce dernier hors tension avant de brancher.
- L'outil doit toujours être posé sur une surface propre et ferme. Les matériaux tels que le gravier, le sable, la poussière, l'herbe, etc. peuvent être aspirés par l'admission d'air et projetés par la sortie de l'outil, ce qui peut endommager l'outil, causer des dégâts matériels et des blessures graves à l'utilisateur ou aux personnes se trouvant à proximité.
- Faites particulièrement attention lorsque vous nettoyez sur des escaliers.
- Ne laissez personne se servir de l'appareil comme un jouet. Faites particulièrement attention si des enfants l'utilisent ou se trouvent à proximité.
- Ne l'utilisez pas pour aspirer des liquides inflammables ou combustibles tels que l'essence et ne l'utilisez pas dans des lieux où ces liquides peuvent être présents.

- Ne vous étirez pas et n'utilisez pas l'appareil à partir de surfaces instables tel qu'échelles, arbres, pentes abruptes, toits, etc. Tenez-vous toujours fermement sur les pieds en position d'équilibre.
- Ne maltraitez pas le cordon. Ne tirez jamais l'appareil par le cordon et ne le débranchez pas en tirant sur le cordon. Protégez celui-ci de la chaleur, de l'huile et des bords tranchants.
- Débranchez en tirant sur la prise et non le cordon. Pour débrancher, saisissez la prise et non pas le cordon.
- Restez toujours en alerte. Faites preuve de bon sens.
- Ne laissez pas l'appareil branché s'il ne sert pas, pendant un entretien/changement d'accessoires.
- N'introduisez aucun objet dans les ouvertures. N'utilisez pas l'appareil si elles sont bouchées ; protégez-le des débris/matières bloquant le débit d'air.
- Gardez cheveux, vêtements lâches, doigts et parties du corps à l'écart des ouvertures/pièces mobiles.
- N'utilisez que des pièces de rechange d'origine du fabricant pour l'entretien de cet appareil. Elles sont disponibles auprès de votre concessionnaire agréé. L'utilisation de pièces ou accessoires autres que ceux de l'équipement original peut causer des blessures graves, endommager l'appareil et annuler sa garantie.
- Ne forcez pas l'appareil. Il posera moins de risques de blessures et fonctionnera mieux à la vitesse pour laquelle il a été conçu.
- N'utilisez jamais l'appareil sans son tube de souffeuse/aspirateur ni son sac d'aspirateur.
- Mettez toutes les commandes hors tension avant de débrancher.
- Débranchez l'appareil avant d'installer ou de retirer son tube ou son sac d'aspirateur. L'appareil doit être débranché et les lames de l'hélice arrêtées pour éviter de les toucher pendant leur rotation.

LORS DE L'UTILISATION EN SOUFFLEUSE

- Ne jamais diriger le tube de la souffeuse vers des personnes, animaux domestiques ou fenêtres. Toujours souffler les débris en direction opposée des personnes, animaux domestiques et fenêtres. Redoubler de prudence lors du travail à proximité d'objets massifs tels que des arbres, véhicules, murs, etc.

LORS DE L'UTILISATION EN ASPIRATEUR

- Éviter les situations où le sac d'aspirateur pourrait s'enflammer. Ne pas utiliser à proximité de flammes vives, Ne pas aspirer les cendres chaudes de cheminées, foyers, tas de broussailles, etc. Ne pas aspirer de mégots de cigarettes ou de cigares sans s'être assuré qu'ils sont complètement froids.
- Cet outil est conçu pour aspirer des matériaux secs, tels que des feuilles, de l'herbe, des brindilles et morceaux de papier. Ne pas essayer d'aspirer des matériaux mouillés ni de l'eau, ce qui pourrait endommager la souffeuse/aspirateur. Ne pas aspirer de morceaux de métal, de verre, etc., pour éviter d'endommager l'hélice.

AUTRES AVERTISSEMENTS DE SÉCURITÉ

- Assurez-vous de bien arrimer l'appareil lorsque vous le transportez.
- Remiser l'outil dans un endroit sec pouvant être verrouillé ou en hauteur afin d'empêcher des dommages ou un usage non autorisé. Garder l'outils hors de portée des enfants.
- Ne jamais immerger l'outil et ne jamais l'arroser avec de l'eau ou tout autre liquide. Garder les poignées sèches, propres et exemptes de débris. Nettoyer après chaque usage. Voir les sections *Nettoyage et Remisage*.

CONSIGNES DE SÉCURITÉ

- Conserver ces instructions. Les consulter fréquemment et les utiliser pour instruire d'autres utilisateurs. Si l'outil est prêté, il doit être accompagné de ces instructions.

CONSERVER CES INSTRUCTIONS

SYMBOLES DE SÉCURITÉ ET INTERNATIONAUX

Ce manuel de l'utilisateur décrit les symboles et pictogrammes de sécurité et internationaux pouvant apparaître sur ce produit. Consultez le manuel de l'utilisateur pour les informations concernant la sécurité, le montage, le fonctionnement, l'entretien et les réparations.

SYMBOLE

SIGNIFICATION



- **SYMBOLE ALERTE DE SÉCURITÉ**

Indique un danger, un avertissement ou une mise en garde. Ce symbole peut être combiné à d'autres symboles ou pictogrammes.



- **AVERTISSEMENT - LISEZ LE MANUEL DE L'UTILISATEUR**

Lisez le manuel de l'utilisateur et suivez tous les avertissements et consignes de sécurité. Vous pourriez à défaut entraîner des blessures graves pour vous ou d'autres personnes.



- **PORTEZ DES PROTECTIONS (YEUX ET OREILLES)**

AVERTISSEMENT:

les objets projetés et les bruits forts peuvent endommager la vue et l'ouïe. Porter une protection oculaire respectant les normes courantes de l'ANSI et une protection auditive lors du fonctionnement de cet appareil. Protégez-vous le visage avec un masque intégral au besoin.



- **LES OBJETS PROJETÉS ET LA TÊTE ROTATIVE PEUVENT CAUSER DES BLESSURES GRAVES**

AVERTISSEMENT:

Tenez-vous à l'écart de la sortie de souffleuse. Ne dirigez jamais la souffleuse vers vous ou vers les autres. La souffleuse peut projeter des objets. Ne faites pas fonctionner l'appareil sans les accessoires et protections nécessaires.

SYMBOLE

SIGNIFICATION



- **N'UTILISEZ PAS L'APPAREIL SOUS LA PLUIE**

AVERTISSEMENT:

évités les lieux dangereux. N'utilisez jamais l'appareil sous la pluie ou dans des conditions humides ou mouillées. L'humidité peut provoquer l'électrocution.



- **SOUFFLEUSES - LES LAMES ROTATIVES PEUVENT INFLIGER DES BLESSURES GRAVES**

AVERTISSEMENT:

arrêter le moteur et laisser l'hélice parvenir à l'arrêt complet avant d'installer ou de changer les tubes ou le sac et avant toute opération de nettoyage, d'entretien ou de réparation.



- **LEVIER DE BASCULE DES MODES SOUFFLEUSE/ASPIRATEUR**

A - Mode aspirateur
B - Mode souffleuse



- **ÉLOIGNEZ LES SPECTATEURS**

AVERTISSEMENT:

éloignez tout spectateur, les enfants et les animaux domestiques en particulier, d'au moins 15 m (50 pi) de la zone de coupe.



- **DOUBLE ISOLEMENT**

Les appareils à double isolement comportent deux systèmes d'isolement. Comme il se doit, aucun moyen de mise à la terre n'est fourni sur ce type d'appareil.

FAMILIARISEZ-VOUS AVEC L'APPAREIL

USAGE

Comme souffleur :

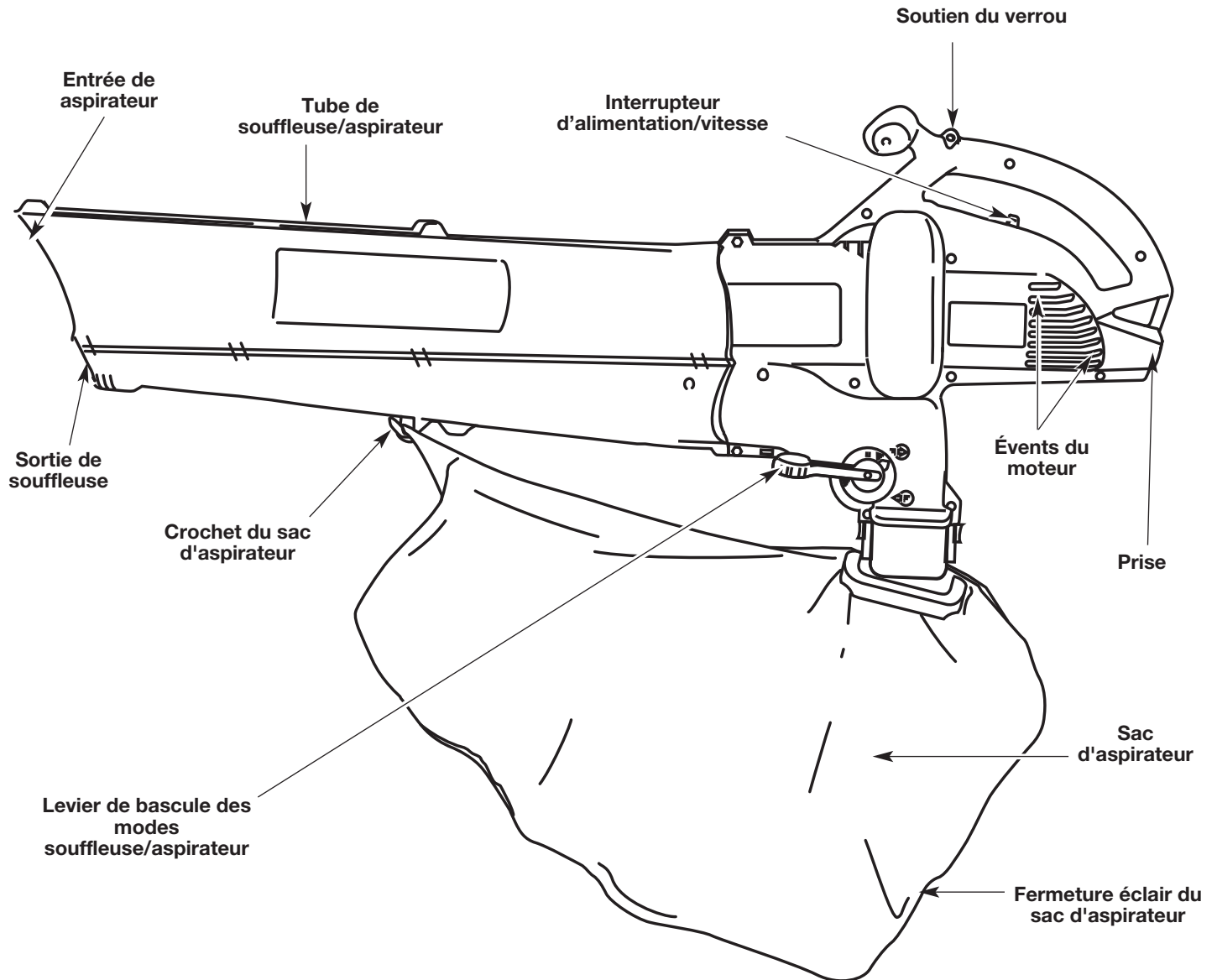
- Nettoyage de cours, garages, chemins, porches, terrasses, autour des murs, clôtures, etc.

Comme aspirateur :

- Ramassage de feuilles, de débris légers, etc.

OUTILS REQUIS POUR L'ASSEMBLAGE :

- Tournevis moyen plat ou tournevis T-20 Torx®



INSTRUCTIONS DE MONTAGE

FIXATION ET RETRAIT DU TUBE DE SOUFFLEUSE/ASPIRATEUR



AVERTISSEMENT: Pour éviter des blessures graves, veillez à ce que le tube et le sac soient installés sur l'appareil lors de son utilisation.

Fixation

REMARQUE : Le tube de souffleur/aspirateur est démonté lors de la livraison. Vous devez l'installer pour assurer une utilisation sécuritaire et facile.



AVERTISSEMENT: Pour éviter des blessures graves, stoppez le moteur et laissez l'hélice s'arrêter avant de fixer ou d'enlever les tubes.

1. Retirez les vis et écrous fournis avec l'ensemble de visserie.
2. Insérez complètement le tube de souffleur/aspirateur dans l'ouverture du carter jusqu'à ce que les trous des pattes du tube soient alignés avec ceux des vis du carter (Fig. 1).
3. Introduisez les 2 (deux) vis à filets interrompus 8-32 x 3/4" Torx T20 dans le côté droit du carter et les 2 (deux) écrous dans le côté gauche du carter (Fig. 1).

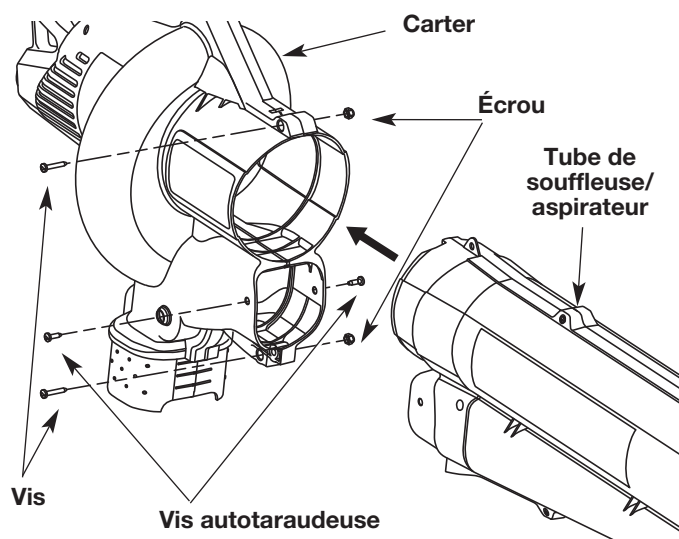


Fig. 1

4. Vissez bien. Évitez de trop serrer.
5. Insérez les 2 (deux) vis à filets interrompus autotaraudeuses 8-16 x 3/4" Torx T20 restantes dans les trous des deux côtés du carter (Fig. 1). Vissez bien sans trop serrer.

Retrait

REMARQUE : Il peut s'avérer nécessaire de retirer le tube de souffleur/aspirateur pour le dégager ou dégager l'hélice.



AVERTISSEMENT: Pour éviter des blessures graves, stoppez le moteur et laissez l'hélice s'arrêter avant de fixer ou d'enlever les tubes.

1. Retirez les 2 (deux) vis autotaraudeuses des deux côtés du carter.
2. Retirez les 2 (deux) vis et écrous qui retiennent le tube de souffleur/aspirateur sur le carter (Fig. 2).

REMARQUE : Rangez la visserie en lieu sûr pour un usage ultérieur

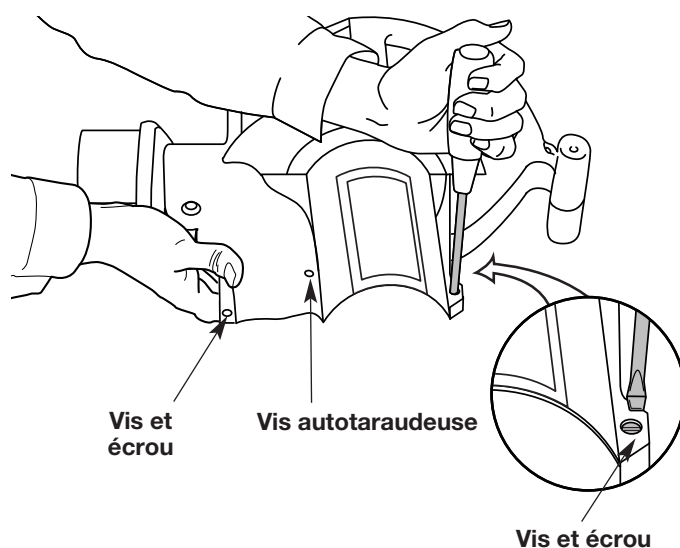


Fig. 2

3. Retirez le tube de souffleur/aspirateur du carter.
4. Remplacez le tube de souffleur/aspirateur avant utilisation.

INSTRUCTIONS DE MONTAGE

FIXATION ET RETRAIT DU SAC D'ASPIRATEUR

Fixation

1. Fixez le sac d'aspirateur à son crochet, sur le tube de souffleuse/aspirateur (Fig. 3).

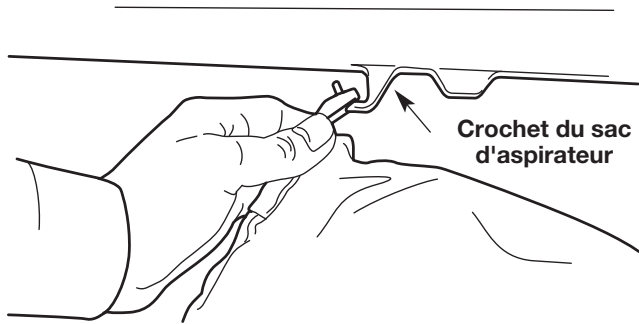


Fig. 3

2. Glissez le tube du sac sur le tube d'évacuation des débris, sur le carter. Poussez le tube jusqu'à ce que les pattes d'accrochage des deux côtés s'enfoncent avec un déclic, fixant ainsi le sac sur l'appareil (Fig. 4).

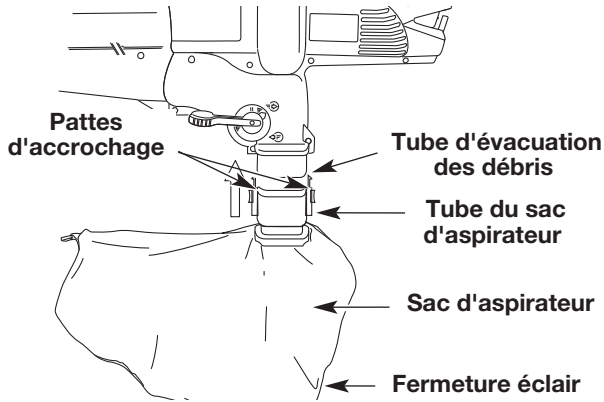


Fig. 4

Retrait

1. Appuyez sur les pattes d'accrochage des deux côtés du tube du sac et retirez le sac de l'appareil vers le bas (Fig. 5).
2. Détachez le sac d'aspirateur de son crochet.

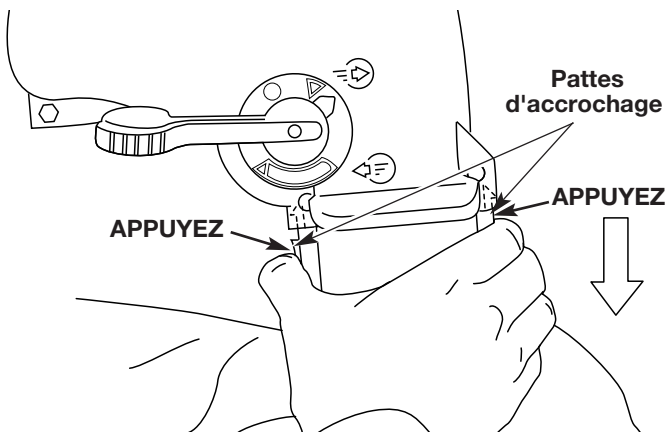


Fig. 5

INSTALLATION DU HARNAIS (en option)

Harnais est un accessoire facultatif.

1. Faites passer la bande au centre de la boucle.
2. Tirez la bande par-dessus la traverse et à travers la fente de la boucle (Fig. 6).

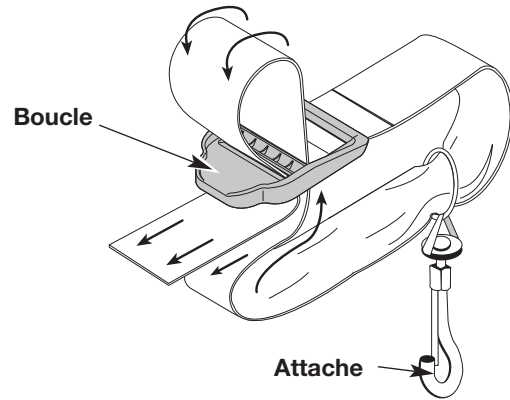


Fig. 6

3. Enfoncez d'un coup sec l'attache sur le raccord de soutien (Fig. 7).

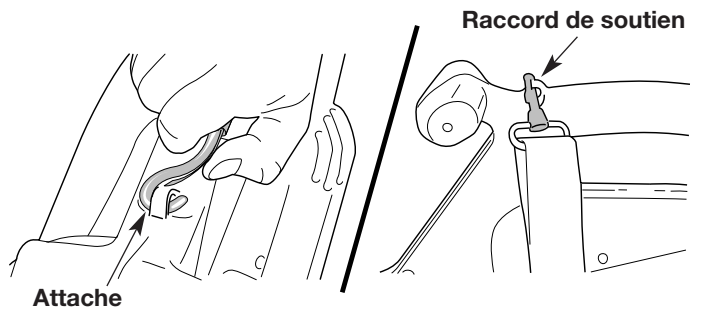


Fig. 7

4. Réglez la longueur en fonction de la taille de l'opérateur. Tirez la languette pour rallonger, ou tirez la bande pour raccourcir (Fig. 8).

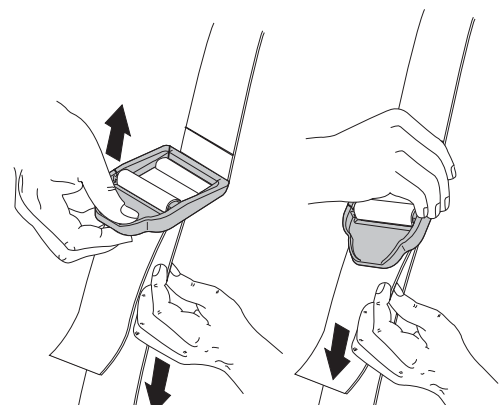


Fig. 8

MODE D'EMPLOI

CONNEXION DU CORDON D'ALIMENTATION

Employez une corde électrique extérieure (minimum 7,6 m ou 25 pieds de long, 16 AWG). D'autres tailles incluent::

CALIBRE MINIMUM DES RALLONGES ALIMENTANT DES APPAREILS 120V, A COURANT DE CHARGE DE 0-12 AMPS				
Long. de cordon (pieds)	25	50	100	150
Calibre du cordon (AWG)*	16	16	16	14



AVERTISSEMENT: Afin de diminuer les risques d'électrocution, cet appareil est doté d'une fiche polarisée (dont une lame est plus large que l'autre) et nécessite l'utilisation d'un fil de rallonge polarisé.

Cette fiche ne peut être insérée dans une rallonge polarisée que d'une façon. Si la fiche ne pénètre pas complètement dans le fil de rallonge, inversez-la. Si elle ne s'enfonce toujours pas, procurez-vous une rallonge polarisée appropriée.

Une telle rallonge nécessite une prise murale polarisée. Cette fiche ne peut être insérée dans une prise murale polarisée que d'une façon. Si la fiche ne pénètre pas complètement dans la prise, inversez-la. Si elle ne s'enfonce toujours pas, faites installer une prise murale appropriée par un électricien qualifié. Ne modifiez d'aucune façon la fiche de l'appareil, ni prise ou la fiche du fil de rallonge.

1. Fixez la rallonge au carter tel qu'indiqué (Fig. 9) pour éviter qu'elle ne soit retirée accidentellement.

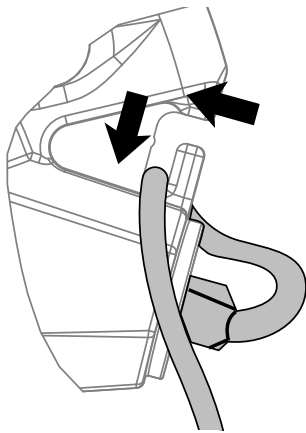


Fig. 9

2. Branchez l'extrémité femelle du cordon dans la prise située à l'arrière de l'appareil (Fig. 10).

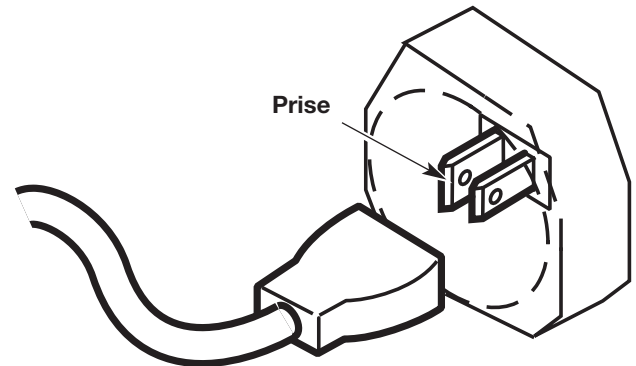


Fig. 10

INSTRUCTIONS DE DÉMARRAGE ET ARRÊT

Cet appareil est équipé d'un interrupteur à trois positions : ARRÊT/BAS/HAUT (Fig. 11).

- Glissez l'interrupteur complètement vers le bas pour le mettre sur **ARRÊT**.
- Glissez l'interrupteur vers le haut jusqu'au premier déclic pour le mettre sur **BAS**.
- Glissez l'interrupteur vers le haut jusqu'au deuxième déclic pour le mettre sur **HAUT**.

Une fois que l'appareil est branché, placez-vous en position de fonctionnement (Fig. 12). Mettez l'interrupteur marche/vitesse sur LOW (Faible) ou HIGH (Élevée) pour démarrer l'appareil. Pour arrêter l'appareil, mettez l'interrupteur sur la position OFF (Arrêt) (Fig. 11).

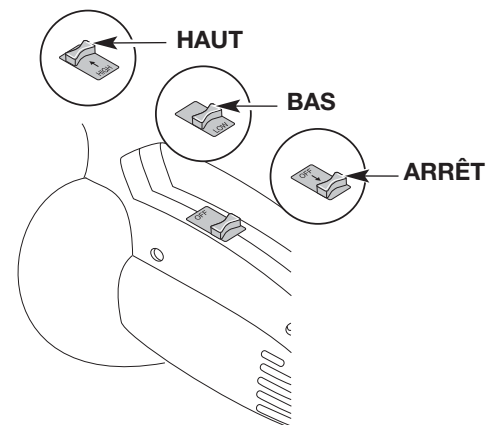


Fig. 11

MODE D'EMPLOI

TENUE DE LA SOUFFLEUSE/ASPIRATEUR

Avant d'utiliser l'outil, se tenir en position de travail (Fig. 12) et effectuer les vérifications suivantes :

- L'utilisateur doit porter une tenue appropriée, c'est-à-dire des chaussures de travail, des lunettes de sécurité, une protection auditive, des gants, des pantalons longs et une chemise à manches longues.



AVERTISSEMENT: pour éviter les risques de blessures, toujours porter des lunettes de sécurité lors de l'utilisation de cet outil. Porter un masque respiratoire dans les endroits poussiéreux.

- Si l'endroit est poussiéreux, porter un masque anti-poussière.
- S'assurer que l'outil est en bon état de marche.
- Vérifier que les tubes et protection sont en place et bien assujettis.



AVERTISSEMENT: pour éviter les risques de blessures à l'opérateur ou aux personnes présentes, ainsi que des dommages à l'outil, s'assurer que les tubes de souffeuse ou les tubes et le sac d'aspirateur sont en place (suivant le modèle) avant d'utiliser l'outil.

- Le sac d'aspiration est installé et fermé par une fermeture éclair (lorsque utilisé comme un aspirateur).

CONSEILS PRATIQUES

- Assurez-vous que la fermeture éclair du sac d'aspirateur est fermée avant d'utiliser l'appareil.
- Lors du démarrage, veiller à ne pas diriger l'outil vers des personnes ou des débris.
- S'assurer que l'outil est en bon état de marche. Vérifier que les tubes et protection sont en place et bien assujettis.
- Tenez toujours l'appareil des deux mains lorsqu'il est en marche. Agrippez fermement les poignées avant et arrière.



Fig. 12

- Utiliser une protection auditive pour éviter les risques de perte de l'ouïe causée par un niveau de bruit élevé.
- N'utiliser l'outil qu'à des heures raisonnables, c'est-à-dire pas trop tôt le matin ou tard le soir lorsque cela peut déranger les personnes vivant aux environs. Se conformer aux réglementations locales qui sont habituellement de 9 à 17 heures, du lundi au samedi.
- Pour réduire le niveau sonore, utiliser le moins possible d'outils motorisés en même temps.
- Pour réduire le niveau sonore utiliser la souffeuse au régime minimum permettant de s'acquitter de la tâche.
- Utiliser un râteau ou un balai pour séparer les débris avant de les souffler.
- Dans les endroits poussiéreux, humecter légèrement l'aire de travail ou utiliser un accessoire de pulvérisation si une source d'eau est disponible.
- Conserver l'eau en utilisant la souffeuse au lieu d'un tuyau d'arrosage pour le nettoyage des endroits tels que les gouttières, moustiquaires, patios, grills, porches et jardins.
- Prendre garde aux enfants, animaux domestiques, fenêtres ouvertes et véhicules fraîchement lavés, et souffler les débris à l'opposé de tels obstacles.
- Après utilisation d'une souffeuse ou d'autres outils motorisés, Nettoyer la zone de travail. Jeter les débris dans des poubelles.

ÉVÉNEMENTS

Ne couvrez jamais les événements. Protégez-les des obstructions et des débris. Ils doivent toujours être dégagés pour permettre au moteur de refroidir correctement (Fig. 13).

Événements

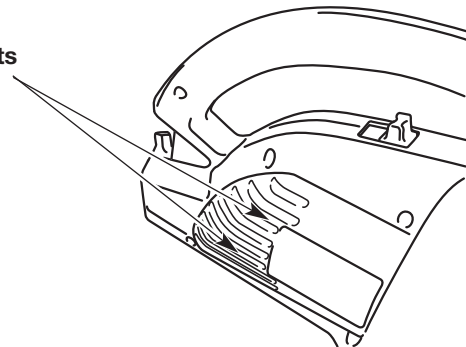


Fig. 13



AVERTISSEMENT: pour éviter des blessures, ne portez pas de vêtements lâches ni foulards, colliers, chaînes, cravates et autres articles similaires pouvant être aspirés par les événements. Relevez les cheveux au-dessus des épaules pour éviter qu'ils ne soient pas aspirés par les événements.

UTILISATION DE LA SOUFFLEUSE

Convenir en Souffleuse

1. Démarrez l'appareil. Voir *Instructions de démarrage et d'arrêt*.
2. Relevez le levier de bascule des modes souffleur/aspirateur (mode souffleur) (Fig. 14).

REMARQUE : N'utilisez jamais l'appareil avec le levier sur la position du milieu.

3. Si vous utilisez le harnais d'épaule en option, passez-le par dessus votre tête et ajustez-le sur votre épaule. Consultez la section *Installation du harnais d'épaule*.

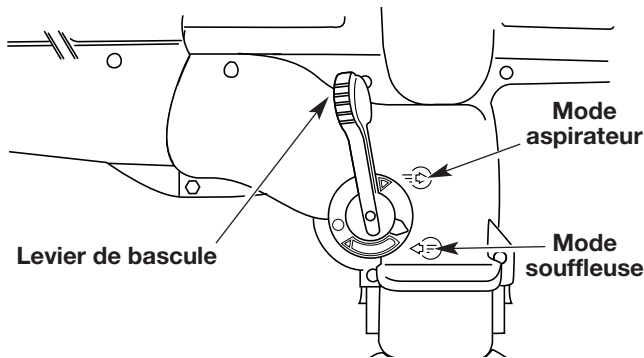


Fig. 14

Utilisation Comme Souffleur

Tenez la souffleur tel qu'illustré sur les Figures 15, 16 et 17. Balayez d'un côté vers l'autre, en tenant la buse à plusieurs centimètres du sol. Avancez lentement en vous maintenant face à la pile de débris.

La basse vitesse convient mieux pour souffler les débris secs alors que la haute vitesse est préférable pour déplacer des objets plus lourds comme des débris ou du gravier de grosse dimension.

1. Utilisez la souffleur autour des arbres, des arbustes, des massifs de fleurs et des zones difficiles à nettoyer (Fig. 15).
2. Utilisez la souffleur pour nettoyer autour des bâtiments et pour le nettoyage normal (Fig. 16).
3. Utilisez la souffleur pour nettoyer les murs, les surplombs et les écrans (Fig. 17).



Fig. 15

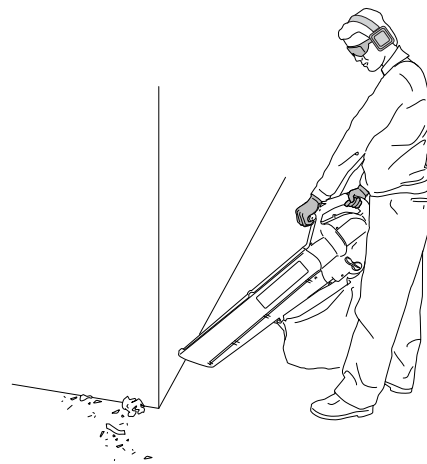


Fig. 16

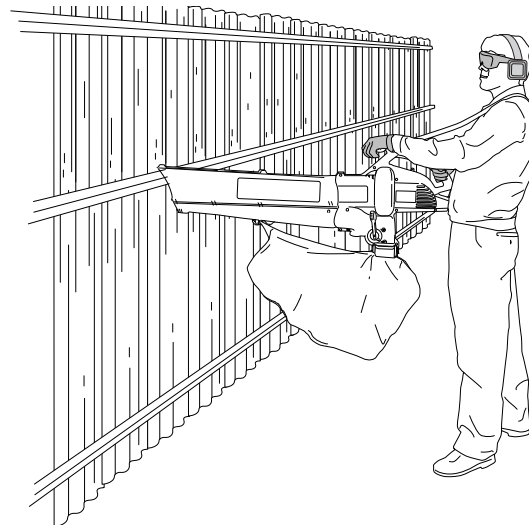


Fig. 17

MODE D'EMPLOI

UTILISATION COMME ASPIRATEUR

Convertir en Aspirateur

1. Démarrez l'appareil. Voir *Instructions de démarrage et d'arrêt*.
2. Rabaissez le levier de bascule des modes souffleuse/aspirateur (mode aspirateur) (Fig. 18).

REMARQUE : N'utilisez jamais l'appareil avec le levier sur la position du milieu.

3. Si vous utilisez le harnais d'épaule en option, passez-le par dessus votre tête et ajustez-le sur votre épaule. Consultez la section *Installation du harnais d'épaule*.

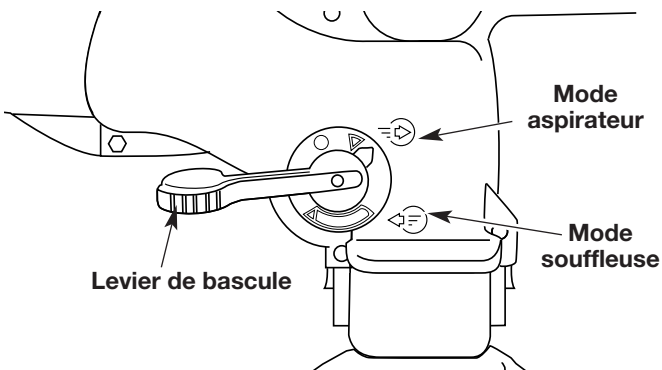


Fig. 18



Fig. 19

AVERTISSEMENT: Afin d'éviter des blessures graves, n'ouvrez jamais le sac avant d'éteindre l'appareil.

AVERTISSEMENT: En tant qu'aspirateur, l'appareil est conçu pour ramasser des matériaux secs comme des feuilles, de l'herbe, des brindilles et des morceaux de papier. Pour éviter des blessures graves, n'essayez pas d'aspirer des débris humides et/ou de l'eau stagnante car cela peut endommager la souffleuse/aspirateur. Pour éviter d'endommager sérieusement l'hélice, n'aspirez pas de métal, de verre brisé, etc.

AVERTISSEMENT: Évitez les situations pouvant mettre le feu au sac d'aspirateur. Ne faites pas marcher près d'une flamme vive. N'aspirez pas les cendres chaudes des foyers à bois ou de barbecue, des tas de broussailles, etc. ni les cigares ou cigarettes à moins que les cendriers soient complètement refroidis.

REMARQUE : Videz le sac après chaque utilisation pour éviter toute détérioration et ne pas restreindre le débit d'air, ce qui affaiblirait les performances de l'aspirateur.



AVERTISSEMENT: Pour éviter des blessures graves et ne pas endommager l'appareil utilisé comme aspirateur, installez toujours les tubes et le sac d'aspirateur, et assurez-vous que la fermeture éclair du sac est fermée.

Utilisation de L'aspirateur

Vérifiez les points suivants :

- L'opérateur porte des vêtements appropriés : bottes, lunettes de sécurité, protège-oreilles, gants, pantalons et chemises à manches longues.
- L'opérateur porte un masque facial ou antipoussières dans les lieux poussiéreux.
- L'appareil est en bon état de fonctionnement. Les tubes et le sac d'aspirateur sont solidement fixés.
- Le harnais du sac d'aspirateur est installé et bien réglé.

Utilisez l'appareil pour aspirer des débris légers, des feuilles, du papier etc.

Tenez l'aspirateur en inclinant (50-100 mm, 2-4 po) un peu le tube de succion, et aspirez les débris légers d'un mouvement de balayage (Fig. 19). Ceci permet aux débris de s'engouffrer dans le sac de l'aspirateur. Les petites feuilles et brindilles sont déchiquetées dans le boîtier du ventilateur pour accroître la capacité du sac.

Lorsque le sac est plein, l'aspiration faiblit de façon notable. Éteignez l'appareil et laissez l'hélice s'arrêter avant d'ouvrir le sac. Ouvrez la fermeture éclair et videz le contenu du sac avant de continuer. Voir *Vider le sac d'aspirateur*.

MODE D'EMPLOI

DÉGAGEMENT D'UN(E) TUBE/ HÉLICE BLOQUÉ(E)



AVERTISSEMENT: Pour éviter des blessures graves, éteignez l'appareil avant tout nettoyage ou entretien.



AVERTISSEMENT: Pour éviter des blessures graves, portez toujours des gants pour vous protéger des lames de l'hélice ou d'autres objets tranchants.

1. Appuyez sur Interrupteur d'alimentation/vitesse et maintenez-la en position **ARRÊT** jusqu'à ce que le moteur s'arrête complètement (Fig. 11).
2. Débranchez l'appareil.
3. Retirez le tube de la soufflante/aspirateur et le sac de l'aspirateur.
4. Enlevez soigneusement tout matériau bloquant le tube ou l'hélice. Inspectez les lames pour vous assurer qu'elles ne sont pas endommagées. Tournez les lames de l'hélice à la main pour vous assurer qu'elles ne sont plus bloquées.
5. Réinstallez le sac d'aspirateur et le tube de soufflante/aspirateur.
6. Rebranchez l'appareil sur le circuit d'alimentation.

VIDER LE SAC D'ASPIRATEUR



AVERTISSEMENT: Afin d'éviter des blessures graves, n'ouvrez et ne retirez jamais le sac avant d'éteindre l'appareil.

REMARQUE : Videz le sac après chaque utilisation pour éviter toute détérioration et ne pas restreindre le débit d'air, ce qui affaiblirait les performances de l'aspirateur.

1. Débranchez l'appareil.
2. Appuyez sur les pattes d'accrochage des deux côtés du tube du sac et retirez le sac de l'appareil vers le bas (Fig. 20).



AVERTISSEMENT: Portez un protecteur oculaire et un masque antipoussières pour vider le sac.

3. Détachez le sac d'aspirateur de son crochet.

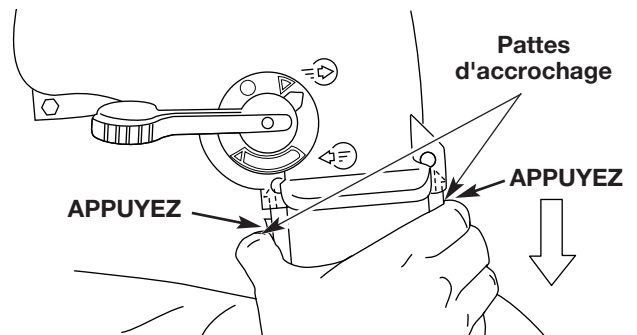


Fig. 20

4. Ouvrez la fermeture éclair et videz le contenu du sac dans un sac de poubelle ou un récipient.
5. Retournez le sac à l'envers après l'avoir vidé pour la première fois et secouez-le vigoureusement pour éliminer poussière et débris.
6. Retournez le sac à l'endroit, fermez la fermeture éclair et remettez le sac en place.
7. Rebranchez l'appareil sur le circuit d'alimentation.

ENTRETIEN ET RÉPARATIONS

ENTRETIEN D'APPAREILS À DOUBLE ISOLEMENT

Cet appareil possède un double isolement. Au lieu d'une mise à la terre, les appareils à double isolement comportent deux systèmes d'isolement. Comme il se doit, aucun moyen de mise à la terre n'est fourni sur ce type d'appareil.

L'entretien de ces appareils exige soins minutieux et compétence technique, et doit être effectué par un personnel qualifié uniquement. Les pièces de rechange doivent être identiques aux pièces remplacées. Confiez toute réparation à un concessionnaire agréé. Un appareil à double isolement porte l'indication « double insulation » ou « double insulated ».

NETTOYAGE DE L'APPAREIL



Nettoyez les événements avec une petite brosse ou un aspirateur équipé d'une petite brosse. N'employez pas de détergents concentrés sur le boîtier ou les pièces en plastique. Ils peuvent être endommagés par certains nettoyants ménagers contenant des huiles aromatiques tel que le pin et le citron, et par des solvants tel que le kérosène ou l'acétone. L'humidité peut aussi provoquer l'électrocution. Essuyez toute trace d'humidité à l'aide d'un tissu doux.

NETTOYAGE DU SAC D'ASPIRATEUR

1. Videz le sac après chaque utilisation pour éviter toute détérioration et ne pas restreindre le débit d'air, ce qui affaiblirait les performances de l'aspirateur.
2. Portez un protecteur oculaire et un masque antipoussières pour nettoyer le sac. Retournez le sac à l'envers après l'avoir vidé pour la première fois et secouez-le vigoureusement pour éliminer poussière et débris.

3. Lavez le sac une fois par an ou plus selon le besoin :
 - a. Retirez le sac d'aspirateur.
 - b. Retournez-le à l'envers.
 - c. Suspendez-le.
 - d. Rincez-le abondamment avec un tuyau en lavant de l'extérieur vers l'intérieur.
 - e. Suspendez-le et laissez sécher.
 - f. Retournez le sac à l'endroit et remettez-le en place.

ENTREPOSAGE

- Rangez l'appareil dans un endroit sec, élevé ou verrouillé, hors de portée des enfants.
- Rangez l'appareil dans un lieu verrouillé pour éviter toute utilisation ou accident indésirable.
- Rangez l'appareil dans un lieu sec et bien aéré.

INSPECTION DES FILS DE RALLONGE

Inspectez régulièrement les rallonges. Soyez à l'affût de signes de détérioration, de coupures ou de fissures dans l'isolation. Vérifiez que les connexions ne sont pas endommagées. Remplacez les cordons défectueux ou endommagés.

CARACTÉRISTIQUES*

Type de moteur.....	électrique, 120 volts c.a.
Intensité du moteur.....	12 A
Sortie d'air de la souffleuse	241,4 km/h (150 m/h) max.
Débit d'air de l'aspirateur.....	9,9 m ³ /min (350 pi ³ /min) max.
Rapport de paillage.....	10:1 max.
Poids en fonctionnement	4,5 kg (10 lb)
Capacité du sac d'aspirateur.....	26,4 l (0,75 boisseaux)

* L'ensemble des spécifications est basé sur les toutes dernières informations disponibles sur le produit à l'impression de ce manuel. Nous nous réservons le droit d'apporter des modifications à tout moment sans avis préalable.

DÉPANNAGE

L'APPAREIL NE SOUFFLE/N'ASPIRE PAS

CAUSE

Sac plein
Tube bouché

Hélice bouchée

Hélice endommagée
Sac sale
Sac déchiré
Sac ouvert
Débranché

SOLUTION

Videz le sac, voir *Vider le sac d'aspirateur*
Dégagez le tube, voir *Dégagement d'un(e) tube/hélice bloqué(e)*
Dégagez le tube, voir *Dégagement d'un(e) tube/hélice bloqué(e)*
Confiez l'appareil à un concessionnaire agréé
Nettoyez le sac
Remplacez le sac
Fermez la fermeture éclair
Branchez dans une rallonge

MOTEUR REFUSE DE DÉMARRER

CAUSE

L'appareil est débranché

Le commutateur de Marche/Arrêt/Vitesse est sur la position ARRÊT.
La protection GFCI de la prise a sauté (si elle est utilisée)

SOLUTION

Vérifiez le cordon est bien branché dans une prise électrique
Mettez le commutateur sur la position Grande (High) ou Petite (Low)
Réinitialisez la protection GFCI

Pour toute assistance, contacter le concessionnaire agréé.

REMARQUES

REMARQUES

GARANTIE LIMITÉE DU FABRICANT POUR:

REMINGTON®

La garantie limitée énoncée ci-après est accordée par Remington LLC et concerne les marchandises neuves achetées et utilisées aux États-Unis, ses possessions et territoires.

Remington LLC garantit ce produit contre tout vice de matière ou de façon pendant une période de deux (2) ans à compter de la date d'achat initiale et elle se réserve le choix de réparer ou de remplacer, à titre gratuit, toute pièce présentant un vice de matière ou de façon. Cette garantie limitée ne s'appliquera que dans la mesure où le produit aura été utilisé et entretenu conformément au Manuel de l'utilisateur fourni avec le produit et n'aura pas fait l'objet d'un usage inadéquat, abusif, commercial ou négligent, d'un accident, d'un entretien inadéquat, d'une modification, de vandalisme, d'un vol, d'un incendie, de dégâts d'eau ou d'un endommagement résultant d'un autre péril ou d'un désastre naturel. Les dommages résultants de l'installation ou de l'utilisation de tout accessoire ou équipement non approuvé par Remington pour une utilisation avec le(s) produit(s) couvert(s) par le présent manuel annuleront la garantie en ce qui concerne les dommages qui en résulteraient éventuellement.

POUR L'OBTENTION DU SERVICE DE GARANTIE : le service au titre de la garantie est disponible, SUR PRÉSENTATION D'UNE PREUVE D'ACHAT, AUPRÈS DU DISTRIBUTEUR AGRÉÉ LOCAL. Pour trouver un distributeur dans votre région, visitez notre site Web

www.remingtonpowertools.com, consultez les Pages Jaunes, appelez le **1-866-206-2707** aux États-Unis ou le **1-877-696-5533** au Canada, ou écrivez à l'adresse Remington LLC, PO Box 361032, Cleveland, OH 44136. Aucun produit retourné à l'usine sans permission écrite préalable du service après-vente de Remington ne sera accepté.

La garantie limitée n'offre aucune couverture dans les cas suivants :

- A. Mises au point : bougies, réglages de carburateur, filtres
- B. Éléments pouvant s'user : boutons de butée, bobines extérieures, fil de coupe, moulins intérieurs, poulie du démarreur, cordons de démarrage, courroies d'entraînement, chaînes de scie, guide barres, couteaux de motobineuse.
- C. Remington LLC n'accorde aucune garantie pour les produits vendus ou exportés des États-Unis d'Amérique, de leurs possessions et territoires, exception faite en ce qui concerne les produits vendus par l'intermédiaire de ses canaux agréés de distribution à l'exportation.

Remington LLC se réserve le droit de modifier ou d'améliorer la conception de ses produits sans pour autant assumer l'obligation de modifier tout produit d'une fabrication plus ancienne.

Aucune garantie implicite, y compris toute garantie de valeur marchande ou d'adaptation à une fin particulière, ne s'applique après la période applicable de garantie expresse écrite ci-dessus concernant les pièces qui sont identifiées. Aucune autre garantie ou caution expresse, écrite ou orale, à l'exception de celle mentionnée ci-dessus, accordée par toute personne ou entité, y compris tout distributeur ou détaillant, concernant tout produit n'engagera la responsabilité de Remington LLC. Pendant la période de garantie, le recours exclusif est la réparation ou le remplacement du produit dans les conditions énoncées ci-dessus. (Certains états ne permettent pas la limitation de la garantie implicite, il est donc possible que la limitation ci-dessus ne s'applique pas à vous.)

Les clauses énoncées dans la présente Garantie constituent le recours unique et exclusif inhérent aux ventes. Remington LLC ne sera en aucun cas tenue pour responsable de tout dommage indirect ou consécutif ou de dommages comprenant, entre autres, les dépenses encourues du fait du recours à des services de remplacement ou de substitution pour l'entretien des pelouses, le transport ou des frais connexes, ou les frais entraînés par une location destinée à remplacer provisoirement un produit sous garantie. (Certains états ne permettent pas la limitation de la garantie implicite, il est donc possible que la limitation ci-dessus ne s'applique pas à vous.)

Aucun recouvrement, quel qu'il soit, ne sera d'un montant supérieur au prix du produit vendu. Toute modification des dispositifs de sécurité du produit annulera la présente Garantie. Vous assumez tout risque et toute responsabilité résultant de la perte, de l'endommagement ou du préjudice que vous et votre propriété et/ou d'autres et leur propriété pourront encourir d'un fait de l'utilisation normale, de la mauvaise utilisation ou de l'incapacité d'utiliser le produit.

La présente garantie limitée n'est accordée qu'à l'acheteur initial, au preneur initial ou à la personne à laquelle le produit a été offert.

Le Droit des États vis à vis de la présente garantie : la présente garantie vous confère certains droits juridiques et vous pouvez bénéficier d'autres droits lesquels varient d'un état à l'autre.

Pour obtenir l'adresse du distributeur réparateur le plus proche, composez le : **1-866-206-2707** aux États-Unis ou le **1-877-696-5533** au Canada.

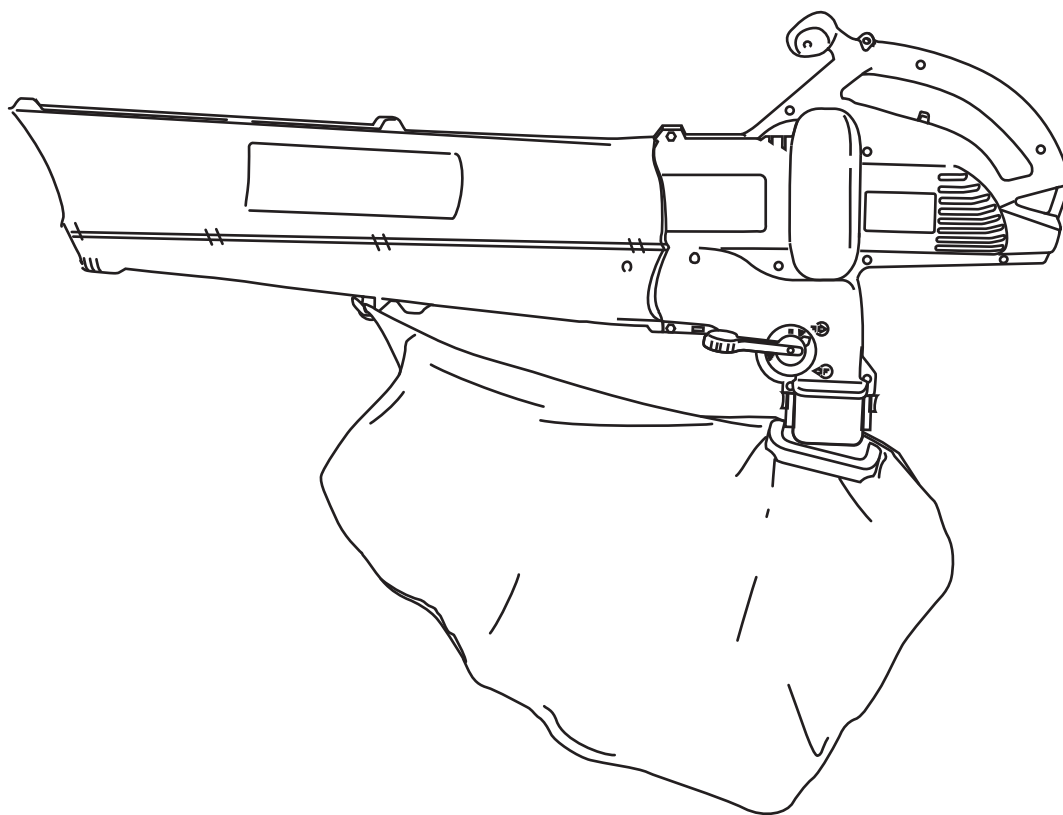
REMINGTON LLC
P.O. Box 361032
Cleveland, OH 44136

REMINGTON®

Manual del Operador

RM1300

Soplador / Aspirador Triturador Electrico



Español

**CONSERVE ESTAS INSTRUCCIONES
NO LO DESECHE**

INTRODUCCION

NO DEVUELVA ESTA UNIDAD AL VENDEDOR. PARA SOLICITAR SERVICIO POR GARANTÍA, DEBERÁ PRESENTAR EL COMPROBANTE DE COMPRA.

Para solicitar asistencia en relación con el ensamblaje, los controles, la operación o el mantenimiento de la unidad, llame al Departamento de Atención al Cliente al **1-866-206-2707** en Estados Unidos o el **1-877-696-5533** en Canadá. Puede encontrar más información sobre la unidad en nuestro sitio Web en **www.remingtonpowertools.com**.

Con vista a recibir servicios, llame al Departamento de Atención al Cliente para que le faciliten una lista de los distribuidores de servicio autorizados cercanos a usted. El servicio a esta unidad, tanto durante como después del período cubierto por la garantía, debe ser llevado a cabo solamente por un distribuidor de servicio autorizado y aprobado. Cuando vaya a dar mantenimiento al equipo, utilice solo piezas de repuesto idénticas.

Antes de arrancar u operar este equipo, asegúrese de leer y comprender bien este manual.

INDICE DE CONTENIDOS

Llamadas a apoyo al cliente	38
Normas para una operación segura	38
Conozca su unidad	43
Instrucciones de ensamble	44
Instrucciones de operación	46
Instrucciones de mantenimiento y reparación . . .	51
Especificaciones	52
Cuadro de solución de problemas	52
Garantía	56

Toda la información, las ilustraciones y las especificaciones contenidas en este manual se basan en la información más reciente disponible en el momento de impresión del manual. Nos reservamos el derecho de hacer cambios en cualquier momento sin aviso previo.

Copyright © 2012 MTD SOUTHWEST INC. Todos los derechos reservados.

NORMAS PARA UNA OPERACION SEGURA

Los símbolos de seguridad se utilizan para llamar su atención sobre posibles peligros. Los símbolos de seguridad y sus explicaciones merecen toda su atención y comprensión. Los símbolos de seguridad no eliminan ningún peligro por sí mismos. Las instrucciones o advertencias que ofrecen no substituyen las medidas adecuadas de prevención de accidentes.

SIMBOLO	SIGNIFICADO
---------	-------------



ALERTA DE SEGURIDAD:

Indica peligro, advertencia o precaución. Debe prestar atención para evitar sufrir graves lesiones personales. Puede ser utilizado junto con otros símbolos o figuras.

NOTA: Le ofrece información o instrucciones que son esenciales para la operación o mantenimiento del equipo.

SIMBOLO	SIGNIFICADO
	PELIGRO: El no obedecer una advertencia de seguridad puede conducir a que usted u otras personas sufran graves lesiones. Siga siempre las precauciones de seguridad para reducir el riesgo de incendio, descarga eléctrica y lesiones personales.
	ADVERTENCIA: El no seguir una advertencia de seguridad puede conducir a que usted u otras personas sufran lesiones. Siga siempre las precauciones de seguridad para reducir el riesgo de incendio, descarga eléctrica y lesiones personales.
	PRECAUCION: El no seguir una advertencia de seguridad puede conducir a daño patrimonial o a que usted u otras personas sufran lesiones personales. Siga siempre las precauciones de seguridad para reducir el riesgo de incendio, descarga eléctrica y lesiones personales.

NORMAS PARA UNA OPERACION SEGURA

• IMPORTANTE INFORMACION DE SEGURIDAD •



PROPOSICIÓN 65 DEL ESTADO DE CALIFORNIA

ADVERTENCIA: Los bornes y terminales de las baterías, así como determinados productos terminados contienen plomo, compuestos de plomo y otros productos químicos de los que el estado de California tiene conocimiento provocan cáncer, malformaciones congénitas u otros daños al sistema reproductor. Lávese las manos después de manipularlo.

LEA TODAS LAS INSTRUCCIONES ANTES DE LA OPERACIÓN



ADVERTENCIA: Se debe seguir las siguientes reglas de seguridad cuando use la unidad. Por favor lea estas instrucciones para su propia seguridad y las de los espectadores, antes de hacer funcionar la unidad. Por favor mantenga estas instrucciones en un lugar seguro para uso futuro.

- Lea todas las instrucciones con cuidado. Conozca bien los controles y el uso correcto de la unidad.
- No opere esta unidad si está cansado, enfermo, o bajo los efectos del alcohol, drogas o medicamentos.
- Los niños y los adolescentes menores de 15 años no deben operar las unidades, excepto por los adolescentes guiados por un adulto.
- Antes de cada uso, inspeccione bien su soplador / aspirador para verificar que no existan partes flojas ni dañadas. No use la unidad hasta haber realizado los ajustes o reparaciones.
- Todas las protecciones y accesorios de seguridad deben estar bien instalados antes de usar la unidad.
- Use la herramienta adecuada. Use esta unidad sólo del modo que se describe en este manual. No la utilice para ninguna tarea excepto para la que fue diseñada. Use sólo los accesorios recomendados por el fabricante.
- Inspeccione el área antes de arrancar el soplador / aspirador. Retire todo el escombros y los objetos duros o afilados como vidrio, alambre, etc.



ADVERTENCIA: Cuando use artefactos eléctricos de jardinería, siempre debe tomar precauciones básicas de seguridad para reducir el riesgo de incendio, de descarga eléctrica y de lesiones personales. Lea con cuidado y comprenda todo el manual del operador antes de usar su soplador / aspirador. Preste mucha atención a las instrucciones de operación y a las advertencias de seguridad.

- Use la unidad sólo con luz de día o con buena luz artificial.
- Mantenga a todos los espectadores, en especial niños y animales domésticos, a una distancia de por lo menos 15 m (50 pies) de la unidad durante la operación.

ADVERTENCIAS DE SEGURIDAD ELECTRICA

- Puede utilizar un cable de extensión de 2 alambres (o sea, sin alambre de tierra), ya que la herramienta tiene doble aislación. Sin embargo, puede usarse también un cable de extensión de 3 alambres (un cable de extensión con alambre de tierra) que utilice un conector tipo NEMA (patillas paralelas, tierra en "U"). Puede adquirir cables de extensión en su comercio local. Utilice únicamente cables de extensión de camisa cilíndrica aprobados para uso al aire libre.
- Esta herramienta tiene doble aislación. Repare o sustituya los cables dañados.



ADVERTENCIA: Para reducir el riesgo de choque eléctrico, utilice únicamente cables de extensión aprobados para uso al aire libre, por ejemplo un cable tipo SW-A, SOW-A, STW-A, STOW-A, SJW-A, SJOW-A, SJTW-W, o SJTOW-A.

- Para reducir el riesgo de choques eléctricos, esta unidad tiene un enchufe polarizado (una patilla es más ancha que la otra). Esta unidad calza en un enchufe polarizado de una sola manera. Si el enchufe no calza totalmente en la unidad, inviértalo. Si tampoco calza así, utilice un cable con la conexión correcta. No modifique el cable ni la unidad de manera alguna.

TAMAÑO MINIMO DE ALAMBRE PARA LOS CABLES DE EXTENSION PARA APARATOS DE 120 VOLTIOS QUE UTILIZAN 0-6 AMPERIOS*

Long. de cable (pies)	25	50	100	150
Cal. del alambre (AWG)*	16	16	16	14

*El calibre del cable (AWG) para la capacidad nominal en amperios de 12 a 16 amperios es de 14 AWG para 25 pies, 12 AWG para 50 pies y no se recomienda para 100 o 150 pies.

NORMAS PARA UNA OPERACION SEGURA

- **CABLES DE EXTENSION:** Verifique que el cable esté en buenas condiciones. Cuando utilice un cable de extensión, verifique que el mismo sea lo suficientemente pesado para conducir la corriente consumida por la unidad. Si utiliza un cable demasiado liviano, esto ocasionará una caída de voltaje de la línea, y en consecuencia una pérdida de potencia y un sobrecalentamiento. La tabla que aparece arriba muestra cuál es el calibre correcto a usar, de acuerdo con la longitud del cable y el amperaje nominal que aparece en la placa de datos de la máquina. Si está en duda, utilice el siguiente tamaño más pesado. Cuanto menor es el calibre, más pesado es el cable. Para reducir la posibilidad de que la unidad se desconecte del cable de extensión durante el uso, vea la *Instrucciones de Operación*.
- Debe proveerse protección de interrupción de circuito accionada por corriente de pérdida a tierra (GFCI) para el/los circuito(s) o toma(s) que se utilizarán para esta unidad. Existen receptáculos disponibles que tienen protección GFCI incorporada y pueden ser utilizados para esta medida de seguridad.
- La placa de datos de la unidad indica qué voltaje utiliza la misma. Nunca conecte la unidad a un voltaje de corriente alterna diferente.
- Inspeccione periódicamente todos los cables de extensión y la conexión de la unidad a la corriente. Revise el cable con cuidado para ver si hay deterioros, cortes, o grietas en la aislación. Inspeccione también las conexiones para ver si han sufrido daños. Si observa algún defecto, repare o reemplace los cables.
- Evite los ambientes peligrosos. Nunca utilice la unidad en ambientes húmedos o mojados. La humedad crea peligro de choque eléctrico.
- No utilice la unidad bajo la lluvia.
- No toque el enchufe o la unidad con las manos mojadas.

DURANTE LA OPERACION

- Lleve puestas gafas o lentes de seguridad que cumplan las normas actuales ANSI y estén marcados como tales. Use protección para sus oídos y audición cuando opere esta unidad. Use una pantalla facial o una máscara para polvo si la operación levanta polvo.
- Use pantalones gruesos y largos, botas, guantes y camisa de manga larga. No use ropa holgada, alhajas, pantalones cortos, sandalias ni esté descalzo. Se recomienda usar camisas de mangas largas. Sostenga su cabello sobre el nivel de sus hombros.
- Evite los arranques accidentales. No transporte la unidad enchufada con su dedo en el interruptor. Verifique que el interruptor esté apagado cuando enchufe la unidad.
- No ponga la unidad sobre ninguna superficie excepto sobre una superficie que esté limpia y que sea sólida, cuando el motor esté prendido. Los desechos tales como la grava, arena, polvo, césped, etc., pueden ser absorbidos por la toma de aire y ser lanzados por la abertura de descarga, causándole daños a la unidad, propiedad o causándole lesiones graves a los espectadores o al operario.
- Tenga mucho cuidado cuando limpie en escaleras.
- No permita que la unidad sea utilizada como un juguete. Es necesario prestar mucha atención cuando la use cerca o al lado de niños.
- No use la unidad para recoger líquidos inflamables o combustibles, como gasolina, ni la use en áreas donde dichos líquidos puedan estar presentes.
- No se extienda demasiado ni use la unidad desde superficies inestables como escaleras, árboles, inclinaciones escarpadas, techos, etc. Mantenga una posición y equilibrios adecuados en todo momento.
- No abuse del cable. No transporte nunca la unidad llevándola del cable ni desenchufe la unidad del receptáculo tirando del cable. Mantenga el cable lejos del calor, aceite y bordes afilados.
- No desenchufe la unidad tirando del cable. Para desenchufar, tome el enchufe, no el cable.
- Permanezca siempre alerta. Use su sentido común.
- No deje el Soplador / Aspirador enchufado mientras no lo use, mientras cambie los accesorios ni mientras realice el servicio.
- No coloque ningún objeto en las aberturas. No use la unidad con ninguna abertura bloqueada; mantenga la unidad libre de suciedad, escombros y nada que pueda reducir el flujo de aire.
- Mantenga su cabello, la ropa holgada, los dedos y todas las partes de su cuerpo lejos de las aberturas y las partes móviles.
- Use sólo piezas y accesorios de repuesto fabricante del equipo original para esta unidad. Estas piezas están disponibles en su distribuidor autorizado. No use piezas, accesorios ni auxiliares que no hayan sido diseñados para esta unidad. Su uso puede conducir a que el usuario sufra graves lesiones o al daño de la unidad y a la invalidación de su garantía.
- No fuerce la unidad. Realizará una mejor labor con menos posibilidad de lesiones si se utiliza a la velocidad para la que fue diseñada.
- No use nunca el Soplador / Aspirador sin el tubo del soplador / aspirador y la bolsa del aspirador conectados.
- Apague todos los controles antes de desenchufar.
- Desenchufe el Soplador / Aspirador antes de intentar instalar o retirar el tubo del soplador / aspirador o la bolsa del aspirador. La unidad debe estar desenchufada, y las cuchillas del impulsor deben estar quietas para evitar el contacto con las cuchillas giratorias.

NORMAS PARA UNA OPERACION SEGURA

MIENTRAS OPERA COMO SOPLADORA

- Nunca apunte la sopladora hacia a la gente, mascotas o ventanas. Dirija siempre el soplado de desechos lejos de la gente, animales y ventanas. Tenga mucho cuidado cuando sople desechos cerca de objetos sólidos como árboles, automóviles, paredes, etc.

MIENTRAS OPERA COMO ASPIRADORA

- Evite situaciones que puedan prenderle fuego a la bolsa de recolección. No la haga funcionar cerca de una llama abierta. No aspire cenizas tibias de chimeneas, hoyos para asado, montones de maleza, etc. No aspire cigarros o cigarrillos descartados a menos que las cenizas estén completamente frías.
- La unidad está diseñada para recoger material seco tal como hojas, césped, ramitas y pedazos de papel. No intente aspirar desechos mojados o agua estancada ya que eso puede ocasionarle daños a la sopladora / aspiradora. Para evitarle daños graves al rotor, no aspire metales, vidrios rotos, etc.

OTRAS ADVERTENCIAS DE SEGURIDAD

- Asegúrese de sujetar la unidad mientras la transporta.
- Guarde la unidad en un lugar seco, bien sea bajo llave o suficientemente alto para que evite el uso no autorizado o daños. Manténgala fuera del alcance de los niños.
- Nunca remoje o chorree la unidad con agua o cualquier otro líquido. Mantenga los mangos secos, limpios y libres de escombros. Límpiela después de cada uso, vea las *Instrucciones de Limpieza y Almacenamiento*.
- Conserve estas instrucciones. Consúltelas con frecuencia y úselas para instruir a otros usuarios. Si le presta esta unidad a otras personas, también incluya las instrucciones.

**CONSERVE ESTAS
INSTRUCCIONES**

NORMAS PARA UNA OPERACIÓN SEGURA

SIMBOLOS DE SEGURIDAD E INTERNACIONALES

Este manual del operador describe los símbolos y figuras de seguridad e internacionales que pueden aparecer en este producto. Lea el manual del operador para obtener información completa acerca de la seguridad, ensamble, operación y mantenimiento y reparación.

SIMBOLO

SIGNIFICADO



• SIMBOLO DE ALERTA DE SEGURIDAD

Indica peligro, advertencia o precaución. Puede ser utilizado junto con otros símbolos o figuras.



• ADVERTENCIA - LEA EL MANUAL DEL OPERADOR

Lea el manual del operador y siga todas las advertencias e instrucciones de seguridad. De no hacerlo, el operador y/o los espectadores pueden sufrir graves lesiones.



• USE PROTECCION OCULAR Y AUDITIVA

ADVERTENCIA: Los objetos arrojados por la unidad y el ruido fuerte pueden causar graves lesiones oculares y pérdida auditiva. Al operar esta unidad, use protección para los ojos que cumpla con la normas ANSI y protección para los oídos. Use una careta completa cuando la necesite.



• LOS OBJETOS DESPEDIDOS Y LA CUCHILLA ROTATIVA PUEDEN CAUSAR GRAVES LESIONES

ADVERTENCIA: Manténgase alejado de la salida del soplador. Nunca dirija el soplador hacia usted mismo ni hacia los demás. Los objetos pueden salir despedidos del soplador. No opere esta unidad sin los accesorios y protecciones adecuados en su lugar.

SIMBOLO

SIGNIFICADO



• NO USE LA UNIDAD BAJO LA LLUVIA

ADVERTENCIA: Evite los ambientes peligrosos. No opere nunca su unidad bajo la lluvia, ni en condiciones de humedad. La humedad presenta un riesgo de descarga eléctrica.

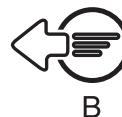


• LAS SOPLADORAS- CUCHILLAS GIRATORIAS DEL ROTOR PUEDEN CAUSAR LESIONES GRAVES

ADVERTENCIA: Pare el motor y permita que el rotor se detenga antes de instalar o cambiar tubos o la bolsa, o antes de limpiar o hacerle cualquier mantenimiento.



A



B

• PALANCA DE CAMBIO DE MODO DEL SOPLADOR / ASPIRADOR

A - Modo de aspirador
B - Modo de soplador



• MANTENGA ALEJADOS A LOS ESPECTADORES

ADVERTENCIA: Mantenga a todos los espectadores, en especial a niños y animales domésticos a por lo menos 15 m (50 pies) del área de corte.



• AISLAMIENTO DOBLE

Existen dos sistemas de aislamiento en vez de conexión a tierra. No se proporciona ningún medio de conexión a tierra en una unidad de aislamiento doble, ni deben agregarse medios de conexión a tierra a esta unidad.

CONOZCA SU UNIDAD

APLICACIÓN

Como soplador:

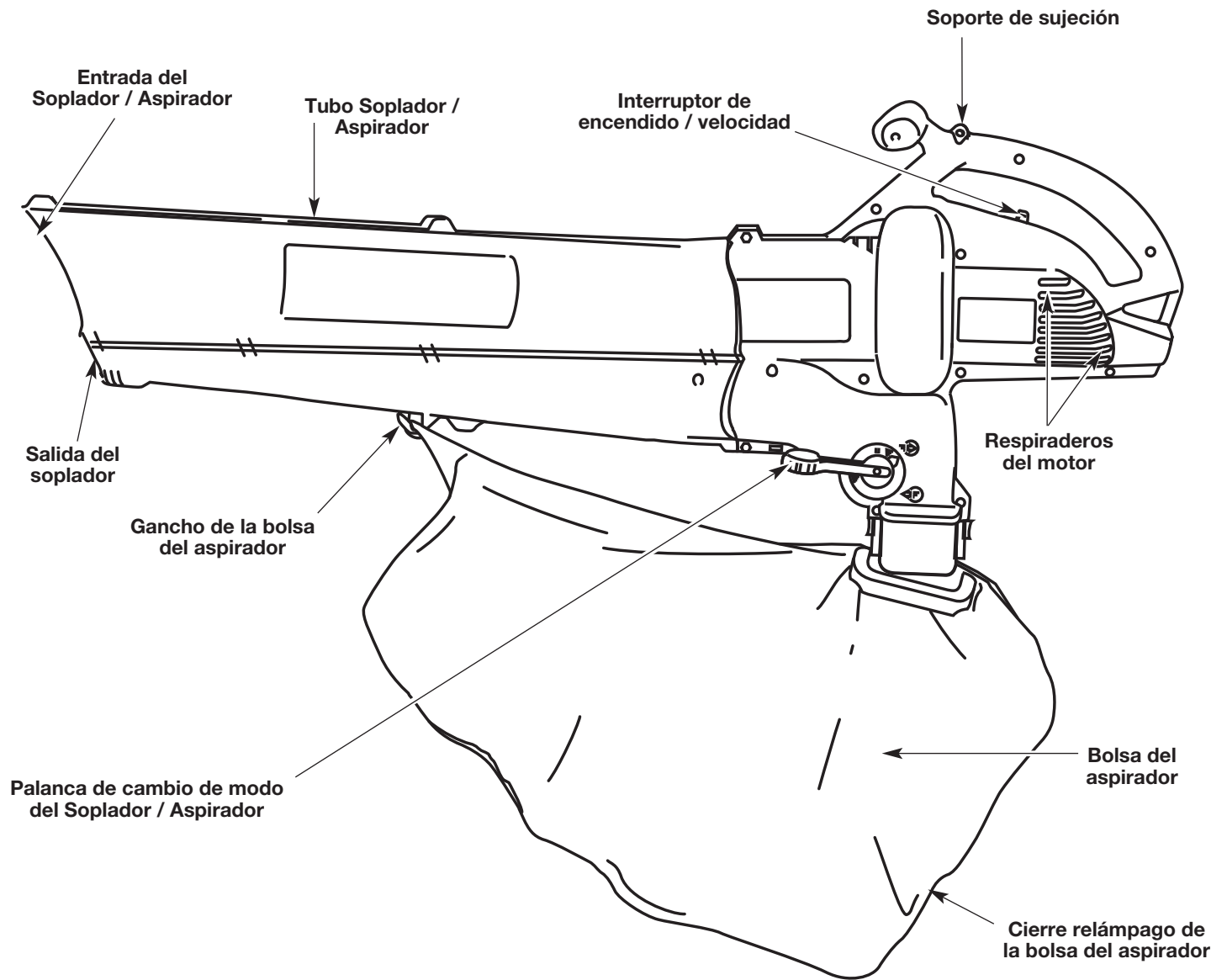
- Limpieza de jardines, cocheras, entradas de automóviles, pórticos, patios, alrededor de paredes, cercos, etc.

Como aspirador:

- Recoger hojas, escombros livianos, etc.

HERRAMIENTAS NECESARIAS PARA EL ENSAMBLAJE:

- Destornillador de hoja plana mediano o destornillador Torx® T-20



INSTRUCCIONES DE ENSAMBLE

CONEXIÓN Y REMOCIÓN DEL TUBO DEL SOPLADOR / ASPIRADOR



ADVERTENCIA: Para evitar graves lesiones personales, debe usar el tubo del soplador / aspirador y la bolsa del aspirador cuando opere esta unidad.

Conexión

NOTA: El tubo del soplador / aspirador no viene ensamblado en esta unidad. Se requiere su instalación para ofrecer un uso fácil y seguro al operador.



ADVERTENCIA: Para evitar graves lesiones personales, apague el motor y espere que el propulsor se detenga antes de conectar o retirar los tubos.

1. Saque los tornillos y las tuercas incluidos en la bolsa de piezas.
2. Inserte el tubo del soplador / aspirador hasta el fondo de la abertura del bastidor del motor, hasta que los orificios de las orejetas del tubo del soplador / aspirador se alineen con los orificios de los tornillos del bastidor (Fig. 1).
3. Inserte los 2 (dos) tornillos ranurados 8-32 x 3/4 pulg. T20 Torx en el lado derecho del bastidor del motor y las 2 (dos) tuercas en el lado izquierdo del bastidor del motor (Fig. 1).

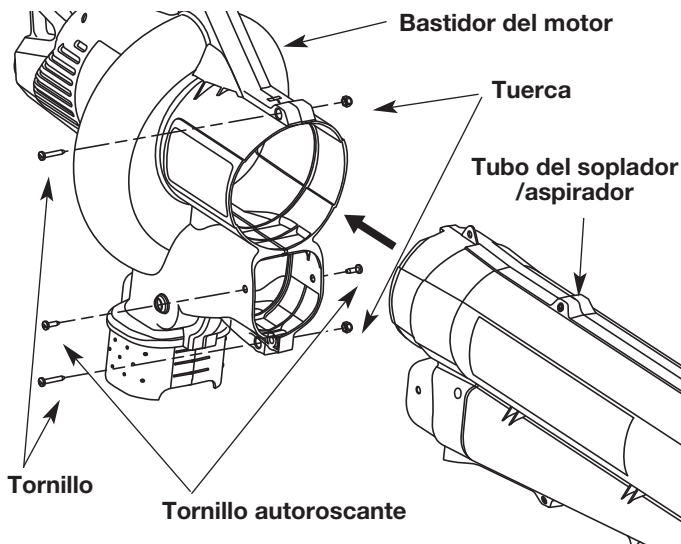


Fig. 1

4. Ajuste los tornillos con firmeza. No los ajuste demasiado.
5. Instale los 2 (dos) tornillos autoroscantes ranurados 20,3 cm - 16 x 1,9 cm (8-16 x 3/4") T20 Torx restantes en los orificios de cualquiera de los lados del bastidor (Fig. 1). Ajuste hasta que no quede huelgo, no los ajuste demasiado.

Remoción

NOTA: Es posible que deba retirar el tubo del soplador / aspirador para desbrozar un tubo o propulsor que estén obstruidos.



ADVERTENCIA: Para evitar graves lesiones personales, apague el motor y espere que el propulsor se detenga antes de conectar o retirar tubos.

1. Saque los 2 (dos) tornillos autoroscantes de cualquiera de los lados del bastidor.
2. Saque los 2 (dos) tornillos y tuercas que sostienen el tubo del soplador / aspirador en el bastidor (Fig. 2).

NOTA: Guarde las piezas en un lugar seguro para su uso futuro.

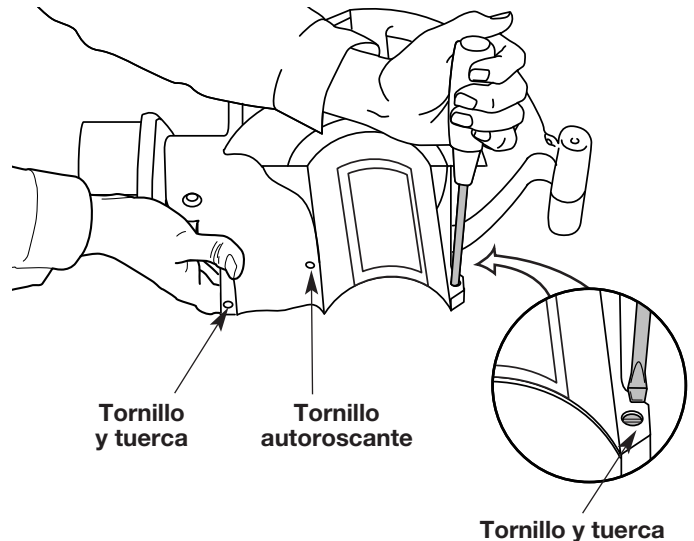


Fig. 2

3. Saque el tubo del soplador / aspirador del bastidor del motor.
4. Vuelva a colocar el tubo del soplador / aspirador antes de usar la unidad.

INSTRUCCIONES DE ENSAMBLE

CONEXIÓN Y REMOCIÓN DE LA BOLSA DEL ASPIRADOR

Conexión

1. Conecte la bolsa del aspirador al gancho de la bolsa del aspirador del tubo del soplador/aspirador (Fig. 3).

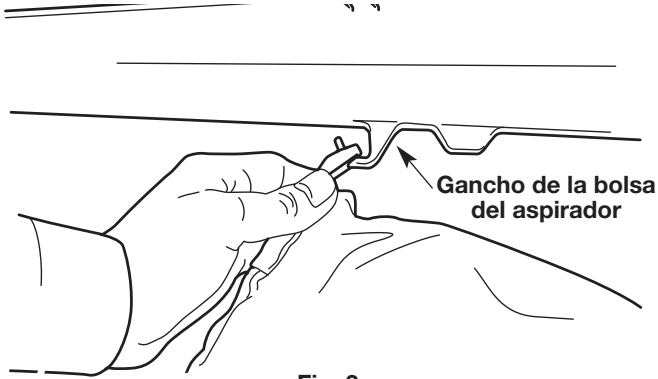


Fig. 3

2. Deslice el tubo de la bolsa del aspirador sobre el tubo de salida de escombros del bastidor. Empuje el tubo hasta que las lengüetas de sujeción de ambos lados se traben en su lugar, asegurando la bolsa en la unidad (Fig. 4).

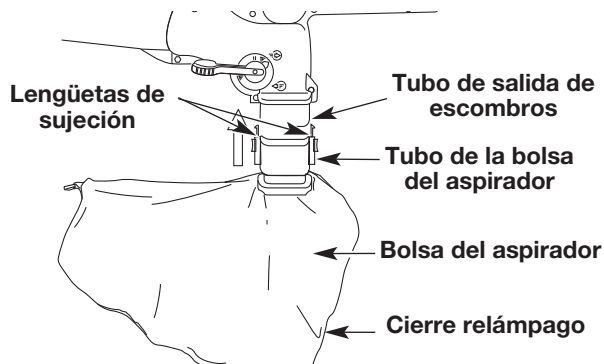


Fig. 4

Remoción

1. Presione las lengüetas de sujeción a ambos lados del tubo de la bolsa del aspirador y tire de la bolsa del aspirador hacia abajo de la unidad (Fig. 5).
2. Desenganche la bolsa del aspirador del gancho de la bolsa del aspirador.

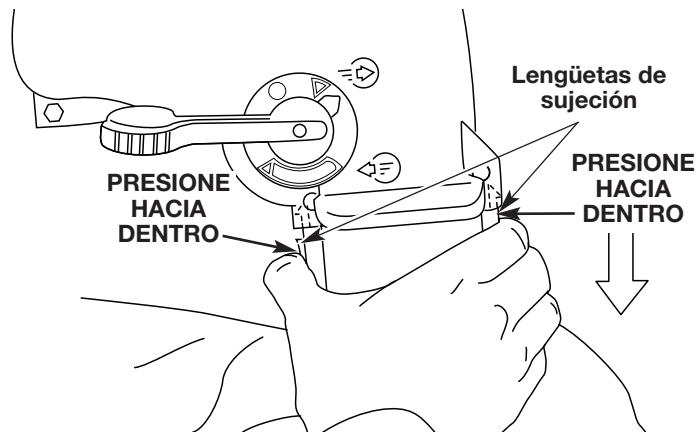


Fig. 5

INSTALACION DEL ARNES (Opcional)

La correa de hombro es un accesorio opcional.

1. Pase la correa por el centro de la hebilla.
2. Pase la correa sobre la barra transversal y hacia abajo por la ranura de la hebilla (Fig. 6).

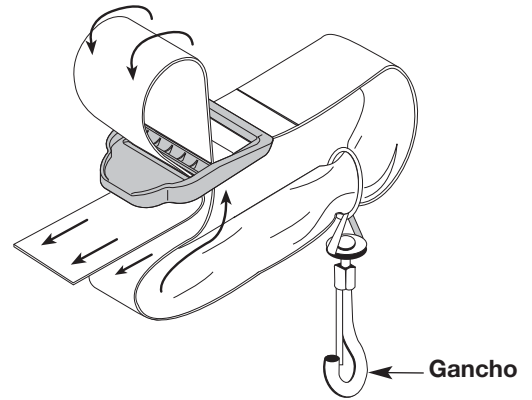


Fig. 6

3. Enganche el broche en el montaje de apoyo (Fig. 7).

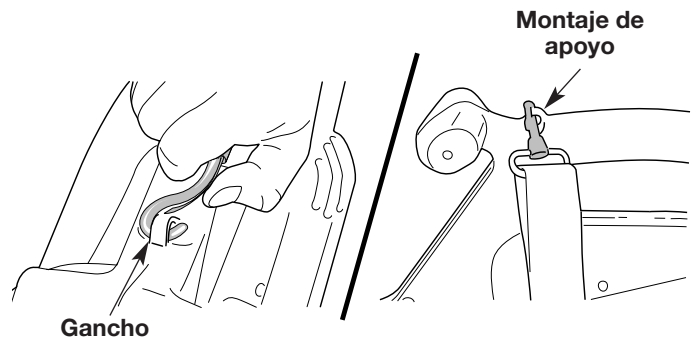


Fig. 7

4. Ajuste la longitud a la medida del operador. Tire de la lengüeta para alargarla, tire de la correa para acortarla (Fig. 8).

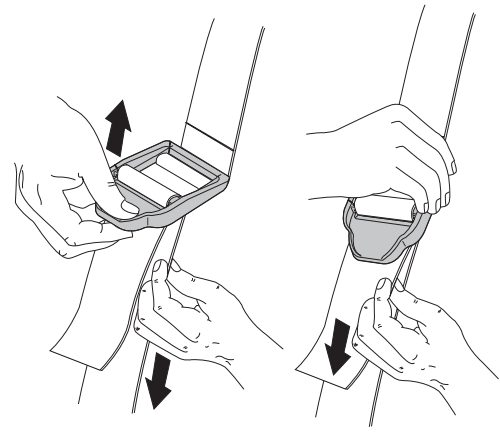


Fig. 8

INSTRUCCIONES DE OPERACION

CONEXION DEL CABLE DE ENERGIA

Utilice una cuerda eléctrica al aire libre (mínimo 7,6 m o 25 pies de largo, 16AWG). Otros tamaños incluyen:

TAMAÑO MINIMO DE ALAMBRE PARA LOS CABLES DE EXTENSION PARA APARATOS DE 120 VOLTIOS QUE UTILIZAN 0-6 AMPERIOS*				
Long. de cable (pies)	25	50	100	150
Cal. del alambre (AWG)*	16	16	16	14



ADVERTENCIA: Para reducir el riesgo de descarga eléctrica, esta unidad cuenta con un enchufe polarizado (una patilla es más ancha que la otra) y requiere el uso de un cable de extensión polarizado.

Esta unidad calzará en un cable de extensión polarizado en una sola dirección. Si el enchufe no calza por completo en el cable de extensión, invierta el enchufe. Si el enchufe aún no calza, obtenga un cable de extensión polarizado adecuado.

Un cable de extensión polarizado requiere el uso de un toma de pared polarizado. Este enchufe calzará en un toma de pared polarizado en una sola dirección. Si el enchufe no calza por completo en el toma de la pared, invierta el enchufe. Si el enchufe aún no calza, comuníquese con un electricista calificado para que instale un toma de pared adecuado. No cambie el enchufe de la unidad, ni el receptáculo del cable de extensión ni el enchufe del cable de extensión de ningún modo.

1. Asegure el cable de extensión al bastidor del motor según se indica (Fig. 9) para evitar la remoción accidental del cable de electricidad.

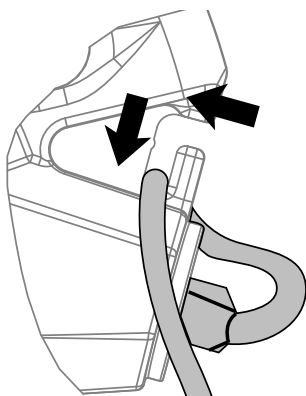


Fig. 9

2. Enchufe el extremo hembra del cable de electricidad en el receptáculo de la parte posterior de la unidad (Fig. 10).

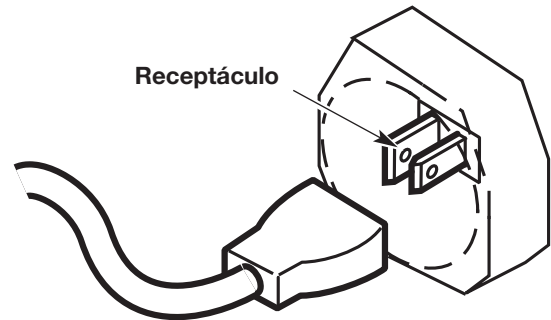


Fig. 10

INSTRUCCIONES DE ARRANQUE Y APAGADO

Esta unidad está equipada con un interruptor de tres puntos para APAGADO/BAJO/ALTO (OFF/LOW/HIGH) (Fig. 11).

- Deslice el interruptor totalmente hacia abajo para **APAGADO (OFF)**.
- Deslice el interruptor hasta el primer punto para **BAJO (LOW)**.
- Deslice el interruptor hacia arriba hasta el segundo punto para **ALTO (HIGH)**.

Una vez que la unidad esté conectada, párese en la posición de funcionamiento (Fig. 12). Deslice el interruptor de encendido/velocidad de BAJO a ALTO para arrancar la unidad. Para detener la unidad, deslice el interruptor a APAGADO (OFF) (Fig. 11).

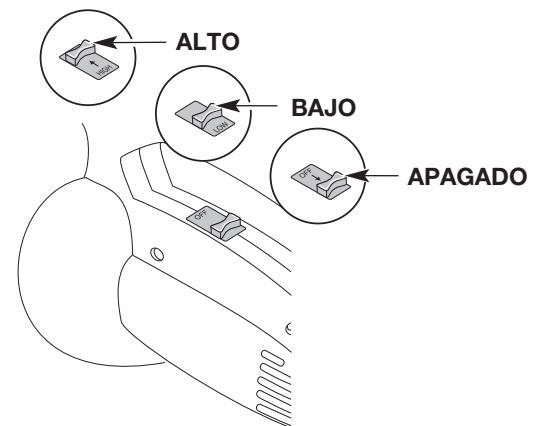


Fig. 11

INSTRUCCIONES DE OPERACION

SOSTENIMIENTO DE LA SOPLADORA/ASPIRADORA

Antes de operar esta unidad, párese en la posición de operación (Fig. 12). Verifique lo siguiente:

- El operador está vestido con la ropa apropiada tal como botas, gafas de protección, protección auditiva, guantes, pantalones largos y camisa de manga larga.



ADVERTENCIA: Para evitar lesiones personales graves, póngase gafas de seguridad en todo momento cuando maneje esta unidad. Póngase una máscara o máscara para polvo en sitios que sean polvorientos.

- Si las condiciones son polvorientas, el operador lleva puesta una máscara.
- La unidad se encuentra en buen estado de funcionamiento.
- Los tubos y protectores están puestos y asegurados en su lugar.



ADVERTENCIA: Dependiendo del modelo, asegúrese que los tubos de soplado o de succión y la bolsa de recolección estén en su lugar antes de operar la unidad, para evitar causarse lesiones personales graves o causárselas a otras personas, u ocasionarle daños a la unidad.

- La bolsa de la aspiradora se instala y cierra con cremallera (cuando se usa como aspiradora).

CONSEJOS ÚTILES SOBRE LA OPERACIÓN

- Verifique que el cierre relámpago de la bolsa esté cerrado antes de operar la unidad.
- Asegúrese que la unidad no apunte hacia desechos sueltos o personas antes de ponerla en marcha.
- Compruebe que la unidad se encuentre en buen estado de funcionamiento. Verifique que los tubos y protectores estén puestos y asegurados en su lugar.



Fig. 12

- Sostenga siempre la unidad con las dos manos mientras la use. Mantenga un agarre firme en las manijas o mangos anteriores y posteriores.
- Se requiere el uso de protección auditiva para reducir el riesgo de pérdida auditiva asociada con los niveles de sonido.
- Opere el equipo solamente durante horas razonables — no muy temprano en las mañanas ni muy tarde en las noches, cuando la gente se pueda molestar. Acate las horas detalladas en las ordenanzas locales. La recomendación usual es de 9:00 am a 5:00 pm, de lunes a sábado.
- Limite el número de equipos que se usen simultáneamente, para reducir los niveles de ruido.
- Opere las sopladoras motorizadas a la menor velocidad posible, para hacer el trabajo y reducir los niveles de ruido.
- Use rastrillos y escobas para esparcir los desechos antes de soplarlos.
- Remoje ligeramente las superficies o use un aditamento para rociar cuando haya agua disponible y se encuentre bajo condiciones polvorientas.
- Conserve agua mediante el uso de sopladoras motorizadas en vez de usar mangueras para muchas de las aplicaciones de prados y ajardinado, incluyendo áreas tales como canales, mallas, patios, parrillas, pórticos y jardines.
- Tenga cuidado con los niños, animales domésticos, ventanas abiertas y automóviles recién lavados, y sople los desechos en forma segura.
- Limpie después de usar las sopladoras y otros equipos. Deposite los desechos en recipientes para la basura.

RESPIRADEROS

No cubra nunca los respiraderos. Manténgalos libres de obstrucciones y escombros. Deben permanecer siempre libres para el enfriamiento adecuado del motor (Fig. 13).

Respiraderos

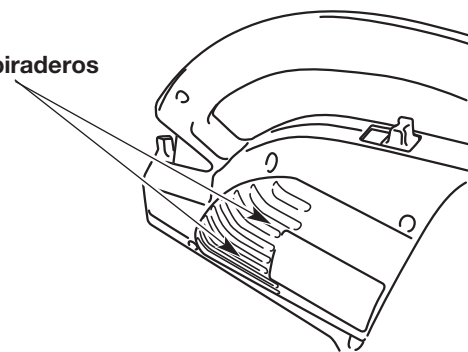


Fig. 13



ADVERTENCIA: Para evitar lesiones personales graves, no use ropa holgada ni artículos como bufandas, cuerdas, cadenas, corbatas, etc. que puedan ser absorbidos por los respiraderos. Para asegurar que el cabello largo no sea absorbido por el respiradero, recoja su cabello sobre el nivel de sus hombros.

INSTRUCCIONES DE OPERACION

OPERACIÓN DE LA UNIDAD COMO SOPLADOR

El Convertir a un Soplador

1. Arranque la unidad. Lea las *Instrucciones de arranque y apagado*.
2. Coloque la palanca de cambio de modo del soplador / aspirador en la posición hacia arriba (Modo de soplador) (Fig. 14).

NOTA: No use nunca la unidad con la palanca en la posición intermedia.

3. Si está utilizando el arnés opcional para el hombro, páselo sobre la cabeza, colóquelo sobre el hombro y ajústelo. Vea la sección *Instalación del Arnés para el Hombro*.

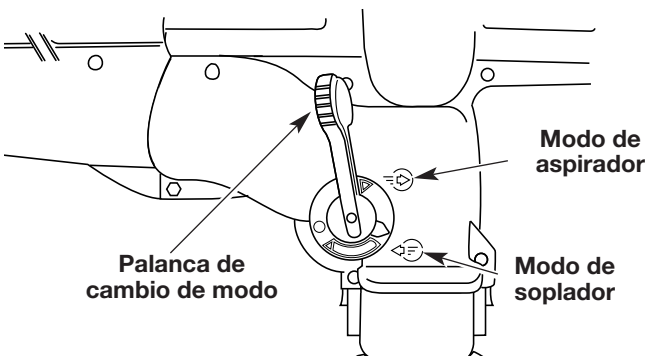


Fig. 14

Procedimiento de Operación Para la Sopladora

Sostenga el soplador según se ilustra en las Figs. 15, 16 y 17. Barra de lado a lado con la boquilla a varias pulgadas sobre el suelo o el piso. Avance lentamente, manteniendo una pila de escombros acumulado frente a usted.

La mayoría de las operaciones de soplado de aire se realizan mejor a una velocidad baja que alta, mientras que la velocidad alta es mejor para mover elementos más pesados como escombros pesados y grava.

- 1 Use la sopladora para árboles, arbustos, macizos de flores y zonas de limpieza difícil (Fig. 15).
2. Use la unidad alrededor de edificios y para otras limpiezas normales (Fig. 16).
3. Use la sopladora para paredes, salientes, cercas y mallas (Fig. 17).



Fig. 15

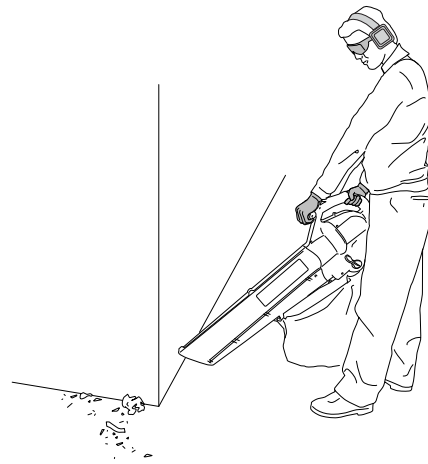


Fig. 16

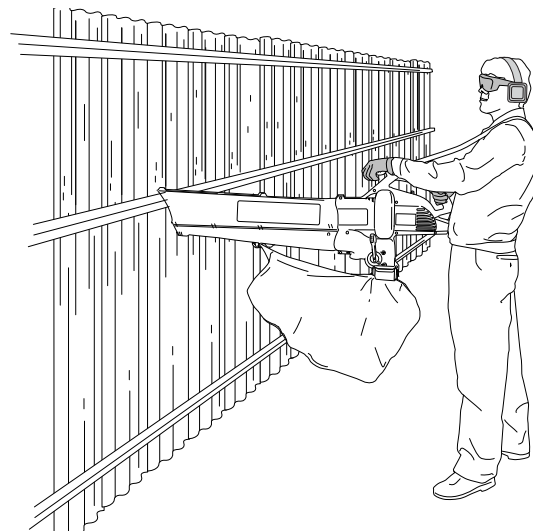


Fig. 17

INSTRUCCIONES DE OPERACION

OPERACIÓN DE LA UNIDAD COMO ASPIRADOR

El Convertir a un Aspirador

1. Arranque la unidad. Lea las *Instrucciones de arranque y apagado*.
2. Coloque la palanca de cambio de modo del soplador/ aspirador en la posición hacia abajo (modo de aspirador) (Fig. 18).

NOTA: No use nunca la unidad con la palanca en la posición intermedia.

3. Si está utilizando el arnés opcional para el hombro, páselo sobre la cabeza, colóquelo sobre el hombro y ajústelo. Vea la sección *Instalación del Arnés para el Hombro*.

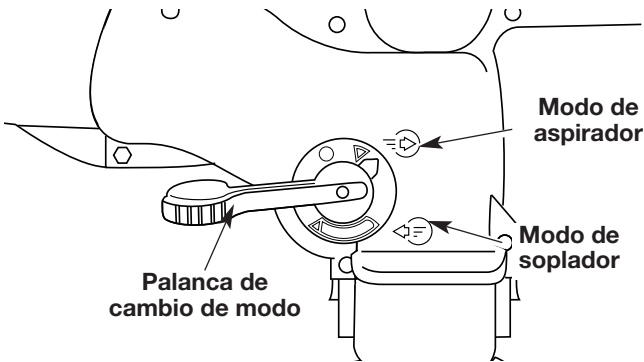


Fig. 18



ADVERTENCIA: Para evitar graves lesiones personales y el daño de la unidad, instale siempre los tubos de aspiración, la bolsa del aspirador y verifique que el cierre relámpago de la bolsa del aspirador esté completamente cerrado cuando opere esta unidad como un aspirador.

Operación Como Aspirador

Antes de operar la unidad, verifique lo siguiente:

- El operador viste ropa adecuada, como botas, lentes o gafas de protección, protección para los oídos y audición, guantes, pantalones largos y camisa de manga larga.
- Si el trabajo levanta polvo, se utiliza una máscara para polvo o una máscara facial.
- La unidad está en buenas condiciones de funcionamiento. Los tubos de aspiración y la bolsa del aspirador están colocados en su lugar y asegurados.
- El arnés de la bolsa del aspirador está colocado en su lugar y bien ajustado.

Use la unidad para aspirar escombros chicos, hojas, papel, etc.

Sostenga el aspirador, inclinando ligeramente (50-100 mm, 2-4 pulg.) el tubo de aspiración, y use un movimiento de barrido para recoger el escombros chico (Fig. 19). El escombros fluirán dentro de la bolsa del aspirador. Los objetos como las hojas pequeñas y las ramas pequeñas serán trituradas a medida que pasan a través del bastidor del ventilador, permitiendo que la bolsa del aspirador cargue más escombros.

Cuando la bolsa está llena, la aspiración disminuirá en forma notable. Apague la unidad y espere que el propulsor se detenga antes de abrir el cierre relámpago de la bolsa. Abra el cierre relámpago de la bolsa y vacíe su contenido antes de continuar. Lea *Vaciado de la Bolsa del Aspirador*.



Fig. 19



ADVERTENCIA: Para evitar graves lesiones personales, nunca abra el cierre relámpago de la bolsa sin detener primero la unidad.



ADVERTENCIA: Como aspirador, la unidad está diseñada para recoger material seco como hojas, césped, ramas pequeñas y trocitos de papel. Para evitar graves lesiones personales, no intente aspirar residuos húmedos ni agua estancada, ya que esto puede causar el daño del Soplador / Aspirador. Para evitar graves daños en el propulsor, no aspire metal, vidrios rotos, etc.



ADVERTENCIA: Evite situaciones que puedan causar que la bolsa del aspirador se prenda fuego. No opere la unidad cerca de una llama. No aspire cenizas calientes de hogares, fosos de parrillas, pilas de maleza, etc. No aspire cigarrillos ni cigarrillos desechados a menos que las cenizas estén completamente frías.

NOTA: Vacíe la bolsa después de cada uso para evitar el deterioro y obstrucción de la circulación de aire, lo cual reducirá el rendimiento del aspirador.

INSTRUCCIONES DE OPERACION

DESBROCE DE UN TUBO / PROPULSOR OBSTRUIDO



ADVERTENCIA: Para evitar graves lesiones personales, use siempre guantes para protegerse contra las cuchillas del propulsor o contra otros objetos afilados.



ADVERTENCIA: Para evitar graves lesiones personales, verifique que la unidad esté apagada antes de limpiarla o realizar cualquier tipo de mantenimiento en ella.

1. Oprima y sostenga el Interruptor de encendido / velocidad en la posición de apagado (OFF) hasta que el motor se apague por completo (Fig. 11).
2. Desenchufe la unidad.
3. Quite el tubo del soplador/aspirador y la bolsa del aspirador.
4. Saque con cuidado el material que está obstruyendo el tubo o el propulsor. Inspeccione las cuchillas para verificar que no hayan ocurrido daños. Gire las cuchillas del propulsor a mano para asegurar que haya desbrozado la obstrucción por completo.
5. Vuelva a instalar la bolsa del aspirador y el tubo del soplador / aspirador.
6. Vuelva a enchufar la unidad en la fuente de corriente.

VACIADO DE LA BOLSA DEL ASPIRADOR



ADVERTENCIA: Para evitar graves lesiones personales, nunca abra el cierre relámpago ni saque la bolsa del aspirador sin antes apagar la unidad.

NOTA: Vacíe la bolsa del aspirador luego de cada uso para evitar el deterioro y la obstrucción de la circulación de aire, lo cual reducirá el rendimiento del aspirador.

1. Desenchufe la unidad.
2. Mientras presiona las lengüetas de sujeción a ambos lados del tubo de la bolsa del aspirador, saque la bolsa del aspirador hacia abajo de la unidad (Fig. 20).



ADVERTENCIA: Use siempre protección ocular y una máscara para protegerlo contra el polvo cuando vacíe la bolsa del aspirador.

3. Desconecte la bolsa del aspirador del gancho de la bolsa del aspirador.

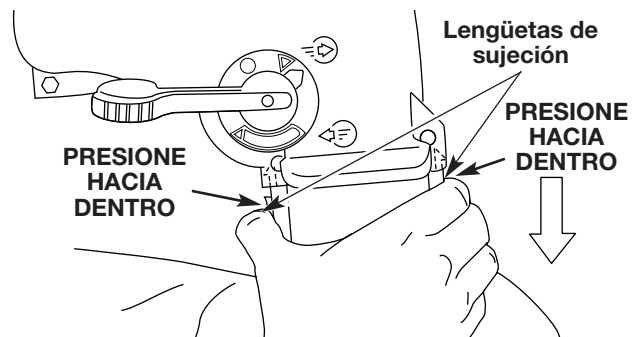


Fig. 20

4. Abra el cierre relámpago de la bolsa y vacíe su contenido en una bolsa o recipiente de basura.
5. Dé vuelta la bolsa hacia fuera luego del vaciado inicial y agite con fuerza para eliminar el polvo y el escombros.
6. Dé vuelta la bolsa con el lado exterior hacia fuera, suba el cierre relámpago y vuelva a instalar la bolsa del aspirador.
7. Vuelva a enchufar la unidad en la fuente de corriente.

INSTRUCCIONES DE MANTENIMIENTO Y REPARACION

SERVICIO DE LAS UNIDADES CON AISLAMIENTO DOBLE

Esta unidad cuenta con un aislamiento doble. En una unidad con aislamiento doble, existen dos sistemas de aislamiento en vez de conexión a tierra. No se proporciona ningún medio de conexión a tierra en una unidad de aislamiento doble, ni deben agregarse medios de conexión a tierra a esta unidad.

El servicio de una unidad con aislamiento doble requiere mucho cuidado y conocimiento del sistema, y debe ser realizado únicamente por personal de servicio calificado. Las piezas de repuesto para una unidad con aislamiento doble deben ser idénticas a las piezas que reponen. Solicite todas las reparaciones a un proveedor de servicio autorizado. Una unidad de aislamiento doble está indicada con las palabras “double insulation” o “double insulated.”

LIMPIEZA DE LA UNIDAD



ADVERTENCIA: Para evitar graves lesiones personales, apague siempre su unidad y espere que se enfríe antes de limpiarlo o realizar cualquier tipo de mantenimiento.

Use un cepillo pequeño para limpiar la parte exterior de la unidad. No use detergentes fuertes. Los limpiadores domésticos que contienen aceites aromáticos como pino y limón, y con solventes como el queroseno pueden dañar el bastidor de plástico y la manija. Seque toda la humedad con un paño suave.

LIMPIEZA DE LA BOLSA DEL ASPIRADOR

1. Vacíe la bolsa luego de cada uso para evitar el deterioro y la obstrucción del flujo de aire, lo cual reducirá el rendimiento del aspirador.
2. Limpie la bolsa según sea necesario usando protección ocular y máscara para el polvo. Dé vuelta la bolsa con el interior hacia afuera luego del vaciado inicial y sacuda la bolsa vigorosamente para desprender el polvo y el escombros.

3. Lave la bolsa una vez por año o con más frecuencia si es necesario:
 - a. Retire la bolsa del aspirador.
 - b. Dé vuelta la bolsa con el interior hacia afuera.
 - c. Cuelgue la bolsa.
 - d. Limpie con una manguera por completo, lavando desde afuera hacia adentro.
 - e. Cuélguela para secarla.
 - f. Vuelva a dar vuelta la bolsa con el lado exterior hacia afuera y vuelva a instalarla.

ALMACENAMIENTO

- Guarde la unidad en un lugar seco y alto o bajo llave, fuera del alcance de los niños.
- Guarde la unidad bajo llave para evitar el uso no autorizado o el daño de la unidad.
- Guarde la unidad en un área seca y bien ventilada.

INSPECCION DE LOS CABLES DE EXTENSION

Inspeccione todos los cables de extensión con frecuencia. Observe bien si no existe deterioro, cortes o grietas en el aislamiento. Inspeccione si hay daños en los conectores. Cambie los cables si están defectuosos o dañados.

ESPECIFICACIONES*

Tipo de motor	Eléctrico CA 120 voltios
Amperaje del motor	12 Amperios
Salida de aire del soplador	hasta 241.4 km/h (150 millas/hora)
Flujo de aire del aspirador.....	hasta 9.9 m ³ /m (350 pies ³ /m)
Proporción de triturado	hasta 10:1
Peso operativo	4.5 kg (10 libras)
Capacidad de la bolsa del aspirador.....	26.4 L (0.75 fanegas)

* Todas las especificaciones se basan en la información del producto más reciente disponible en el momento de la impresión. Nos reservamos el derecho de hacer cambios en cualquier momento, sin previo aviso.

RESOLUCION DE PROBLEMAS

LA UNIDAD NO SOPLA O NO ASPIRA

CAUSA

- La bolsa está llena
- El tubo está bloqueado
- El impulsor está bloqueado
- El impulsor está dañado
- La bolsa está sucia
- La bolsa está desgarrada
- El cierre relámpago está abierto
- La unidad no está enchufada

ACCION

- Vacíe la bolsa, lea *Vaciado de la Bolsa del Aspirador*
- Desbroce la obstrucción, lea *Desbroce de un tubo / impulsor bloqueado*
- Desbroce la obstrucción, lea *Desbroce de un tubo / impulsor bloqueado*
- Lleve la unidad a un proveedor de servicio autorizado
- Limpie la bolsa
- Cambie la bolsa
- Cierre la bolsa con el cierre relámpago
- Enchufe en un cable de extensión

EL MOTOR NO ARRANCA

CAUSA

- La unidad está desenchufada
- El interruptor de Corriente/Velocidad está en la posición OFF (APAGADO)
- Se activó el GFCI del tomacorrientes (de usarse)

ACCION

- Verifique que el cable esté enchufado en un tomacorrientes
- Deslice el interruptor a ALTA o BAJA
- Restablecer GFCI

Si necesita asistencia adicional, comuníquese con su proveedor de servicio autorizado.

NOTAS

GARANTÍA LIMITADA DEL FABRICANTE PARA:

REMINGTON®

Remington LLC concede la garantía limitada establecida debajo para mercancías nuevas que sean compradas y usadas en los Estados Unidos, sus posesiones y territorios.

Remington LLC garantiza este producto contra defectos en el material y la mano de obra durante un período de dos (2) años, a partir de la fecha de compra original y a su entera discreción, arreglará o substituirá sin costo alguno cualquier pieza cuyo material o mano de obra se considere defectuoso. Esta garantía limitada se deberá aplicar únicamente si este producto ha sido manejado y mantenido de acuerdo al Manual del Operario incluido con el producto y, si no ha sido sometido a mal uso, abuso, uso comercial, negligencia, accidente, mantenimiento inapropiado, alteración, vandalismo, hurto, fuego, agua o daños debidos a otros riesgos o desastre natural. Los daños ocasionados por la instalación o el uso de cualquier accesorio o aditamento que no esté aprobado por Remington y que sea usado con el (los) producto(s) contemplados en este manual, anularán la garantía con respecto a cualquier daño resultante.

CÓMO OBTENER SERVICIO: El servicio de garantía está disponible A TRAVÉS DE SU DISTRIBUIDOR DE SERVICIO LOCAL AUTORIZADO, AL PRESENTAR EL COMPROBANTE DE COMPRA. Para localizar al distribuidor en su área, visite nuestro sitio en Internet en www.remingtonpowertools.com, busque el aviso clasificado en las Páginas Amarillas, llame al **1-866-206-2707** en EE.UU. o al **1-877-696-5533** en Canada, o escriba a Remington LLC, PO Box 361032, Cleveland, OH 44136. No se aceptará ningún producto que sea enviado directamente a la fábrica, a menos que haya recibido autorización previa por escrito por parte del Departamento de Servicio al Consumidor de Remington.

Esta garantía limitada no ofrece cobertura en los siguientes casos:

- A. Sincronizaciones - bujías, ajustes de carburadores, filtros.
- B. Artículos de desgaste, perillas percusivas, carretes externos, línea de corte, carretes internos, polea de arranque, cuerdas de arranque, correas motoras, vio cadenas, guía bares, dientes de cultivadora.
- C. Remington no le ofrece ninguna garantía a los productos que sean vendidos o exportados fuera de los Estados Unidos de América, sus posesiones y territorios, excepto aquellos que se vendan a través de los canales de distribución para exportación autorizados por Remington.

Remington se reserva el derecho a cambiar o mejorar el diseño de cualquier producto Remington, sin adoptar ninguna obligación para modificar cualquier producto fabricado con anterioridad.

Ninguna garantía implícita es aplicable después del período de aplicabilidad de la garantía expresa escrita con anterioridad, incluyendo cualquier garantía implícita de comerciabilidad o idoneidad para un propósito particular con respecto a las piezas identificadas. Exceptuando lo mencionado anteriormente, ninguna otra garantía expresa bien sea escrita o verbal con respecto a cualquier producto que sea concedida por cualquier persona o entidad, incluyendo al distribuidor o minorista, deberá comprometer a Remington LLC durante el período de la Garantía, el remedio exclusivo es el arreglo o la sustitución del producto según lo establecido anteriormente. (Algunos estados no permiten limitaciones en cuanto al período de duración de una garantía implícita, de manera que puede que la limitación anterior no sea aplicable en su caso.)

Las estipulaciones establecidas en esta Garantía ofrecen la solución única y exclusiva que resulte de las ventas. Remington no deberá ser responsable de pérdidas o daños incidentales o consecuentes que incluyan, sin limitación, gastos incurridos debido a la sustitución de servicios de mantenimiento de prados, transporte o gastos relacionados, o gastos de alquiler para reemplazar temporalmente un producto bajo garantía. (Algunos estados no permiten limitaciones en cuanto al período de duración de una garantía implícita, de manera que puede que la limitación anterior no sea aplicable en su caso.)

Ningún tipo de recuperación deberá ser superior al precio de compra del producto vendido, en ningún caso. La alteración de las características de seguridad del producto deberá anular esta Garantía. Usted adopta el riesgo y la obligación de la pérdida, daño o lesión en su persona o a su propiedad y/o la de otras personas y sus propiedades, que se origine a raíz del uso o mal uso, o la incompetencia para usar el producto.

Esta garantía limitada no deberá cubrir a ninguna otra persona distinta al comprador original, arrendatario original, o la persona para la cual se compró en calidad de regalo.

Relación de las leyes estatales con esta Garantía: Esta garantía le confiere derechos legales específicos, y puede que usted también tenga otros derechos, los cuales varían en cada estado.

Para localizar al distribuidor de servicio local más cercano, marque el número **1-866-206-2707** en EE.UU. o al **1-877-696-5533** en Canada.

REMINGTON LLC
P.O. Box 361032
Cleveland, OH 44136