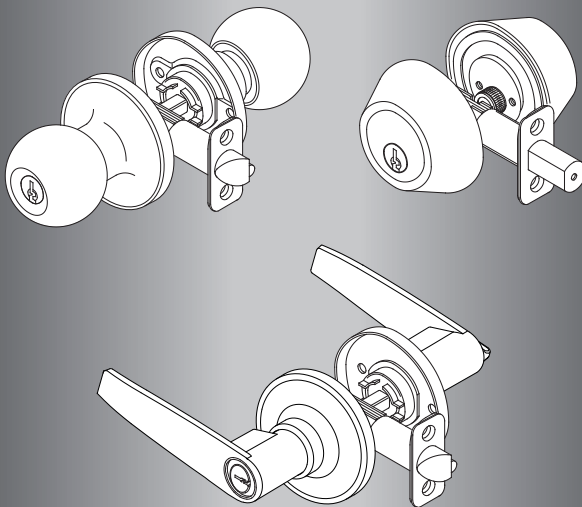


DEFIANT®



REKEYING INSTRUCTION

KNOB SET

LEVER SET

DEADBOLT

important :

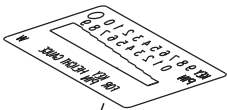
Before rekeying any lock, please read this manual carefully to observe instructions and retain the manual for future reference.

TABLE OF CONTENTS

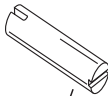
1. Rekeying kit	P.2
2. Lockset Components	
2.1 Tubular Lockset	
2.1.1 Knobset	P.3
2.1.2 Leverset	P.4
2.2 Deadbolt	
2.2.1 Single Cylinder Deadbolt	P.5
2.2.2 Double Cylinder Deadbolt	P.6
3. Lockset Disassembly, Rekeying, Assembly	
3.1 Tubular Lockset	P.7-16
3.2 Deadbolt	P.17-22

1. REKEYING KIT

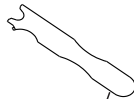
This Rekeying Kit contains assorted pins, springs, C-clip and tools needed for servicing tubular lockset, deadbolt, cylindrical lockset and handleset.



Pin Tumbler
Key Gauge



Plug
Follower



Spanner
Tool

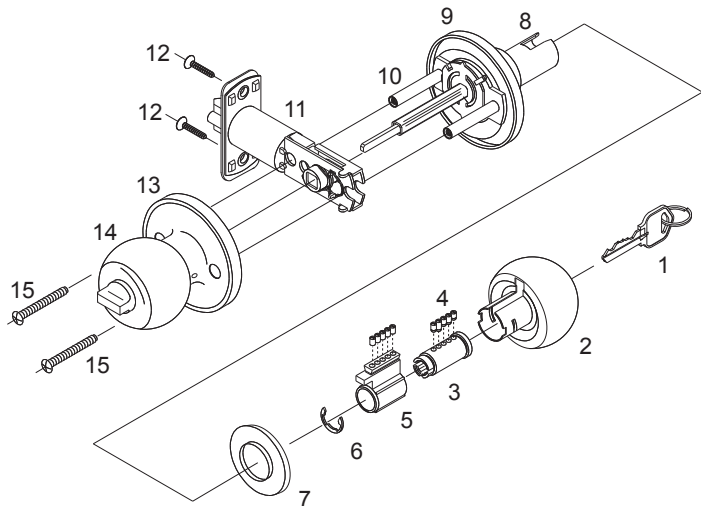


Catch Tool

2. LOCKSET COMPONENTS

2.1 Tubular lockset

2.1.1 knobset



(1) Key

(2) Outside Knob

(3) Plug

(4) Bottom Pin

(5) Cylinder Housing

(6) C-clip

(7) Outside Knob Rear Cap

(8) Knob Shaft

(9) Outside Rose Unit

(10) Spindle

(11) Latch

(12) Wood Screw

(13) Inside Rose

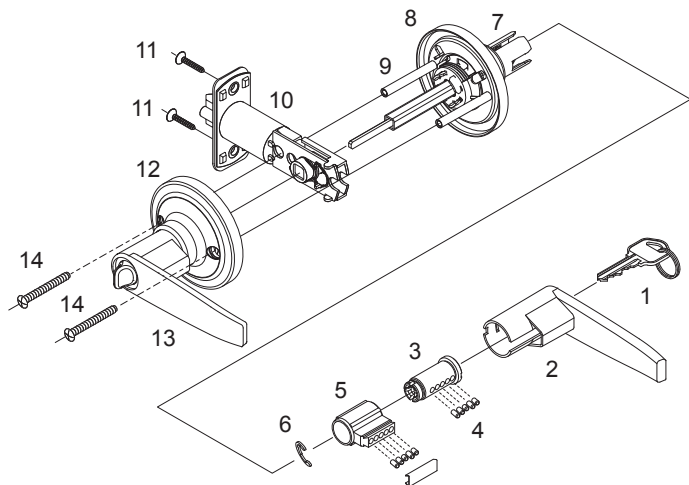
(14) Inside Knob

(15) Mounting Screw

2. LOCKSET COMPONENTS

2.1 Tubular lockset

2.1.2 Leverset



(1) Key

(2) Outside Lever

(3) Plug

(4) Bottom Pin

(5) Cylinder Housing

(6) C-clip

(7) Lever Shaft

(8) Outside Rose unit

(9) Spindle

(10) Latch

(11) Wood Screw

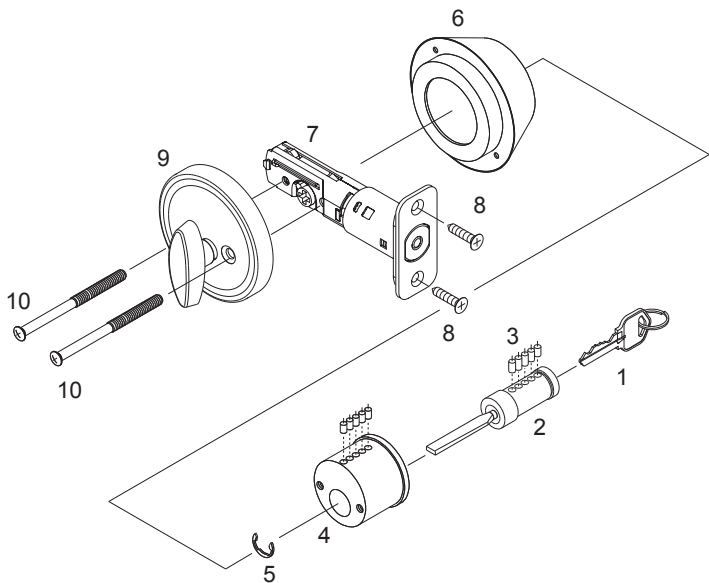
(12) Inside Rose

(13) Inside Lever

(14) Mounting Screw

2.2 Deadbolt

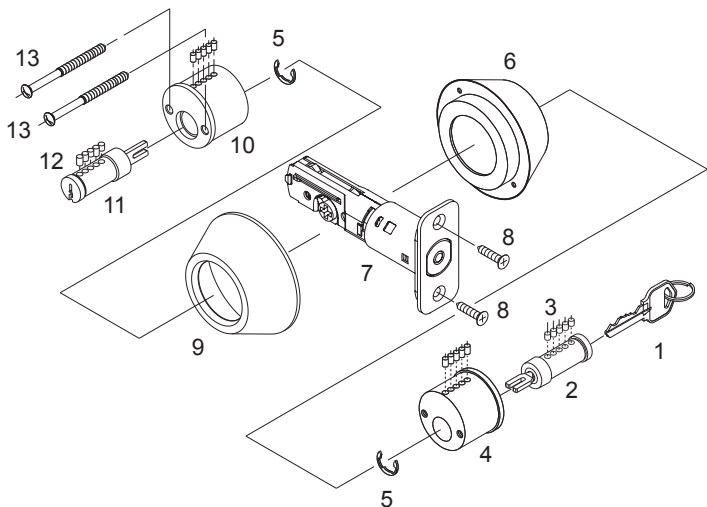
2.2.1 Single Cylinder Deadbolt



- (1) Key
- (2) Plug
- (3) Bottom Pin
- (4) Cylinder Housing
- (5) C-clip

- (6) Outside Cylinder Guard
- (7) Deadbolt Latch
- (8) Wood Screw
- (9) Inside Trim
- (10) Mounting Screw

2.2.2 Double Cylinder Deadbolt



- (1) Key
- (2) Plug
- (3) Bottom Pin
- (4) Outside Cylinder Housing
- (5) C-clip
- (6) Outside Cylinder Guard
- (7) Deadbolt Latch

- (8) Wood Screw
- (9) Inside Cylinder Guard
- (10) Inside Cylinder Housing
- (11) Plug
- (12) Bottom Pin
- (13) Mounting Screw

3. LOCKSET DISASSEMBLY, REKEYING, ASSEMBLY

3.1 Tubular Lockset

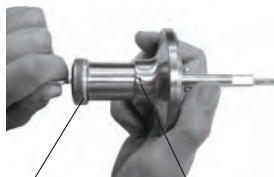
1. Insert key. Turn key to unlock.

2. Turn key to unlock, and pull out the key.



outside knob knob catch hole

2. Turn key to unlock, and pull out the key.



outside lever lever catch hole

3. Use knob catch tool to depress knob catch in order to pop the knob off the shaft.



Knob Catch Tool

3. Use lever catch tool to depress lever catch in order to pop the lever off the shaft.



lever catch hole

4. Pull the knob/lever from the shaft.

Summary:
Turn, Pop and Pull removes
the knob/lever.



5. Use spanner tool or needle nose pliers to remove the outside knob rear cap from the knob.

Only for knobset



Outside Knob rear cap

6. Pull out the key and then remove cylinder plug assembly with needle nose pliers.

(Note: Do not pull the key before pressing the plug with forefinger to avoid dropping the plug.)



cylinder assembly

or



cylinder assembly

7. Insert the key again into the plug.



8. Use end of spanner tool to push off the C-clip.



Spanner Tool



C-clip

9. Remove C-clip with prong of spanner.



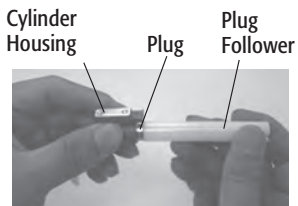
C-clip

10. Turn key 45° - 90° left or right.



Key

11. Insert plug follower to push plug out of cylinder housing. (Note: 2 slots on plug follower head should always be kept horizontal before you insert the follower.)



Keep slots on follower head horizontal



- Caution:**
Do not pull the plug follower from cylinder housing. Maintain contact between plug and follower until the plug is removed, otherwise top pins and springs will fall out.



Cylinder Housing

12. Pull out key from plug and remove bottom pins out of pin holes.

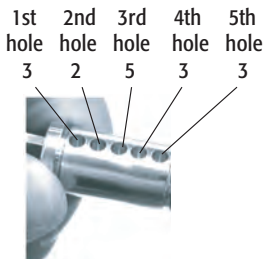


Key Bottom Pin Pin Hole

13. Insert new key.
Read the number stamped on key bow, for example, 32533.

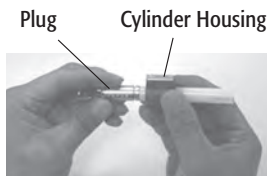


14. Pick a bottom pin #3 from keying kit box and load it into 1st hole next to key head, load a bottom pin #2 into 2nd hole, bottom pin #5 into 3rd hole, bottom pin #3 into 4th hole and bottom pin #3 into 5th hole.



15. Make sure all pins are flush with surface of plug with key inserted.
Rotate plug with the help of the key so that the top of the pins conforms to the contour of the plug.

16. Turn key 45° - 90° and insert plug back into cylinder housing.
(Slots on follower end should always be kept horizontal to avoid pins from being trapped)



17. Push plug follower out using the plug only.
Maintain contact between plug and follower at all times.



18. Snap C-clip back on the plug.
Secure C-clip firmly in place by using needle nose pliers.



19. Operate key to check if plug rotates smoothly against cylinder housing without interference.

20. Pull out key.



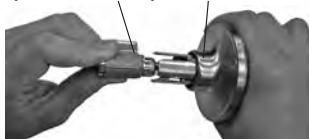
21. Push cylinder assembly into outside knob.

Cylinder Assembly Knob



or

Cylinder Assembly lever



22. Push outside knob rear cap to fit onto knob shank.

Outside Knob Rear Cap



Slot of Knob Shank

23. Align the slot of the knob/lever with slot in the shaft before reattaching knob/lever the shaft. Then push the outside knob/lever over the shaft all the way until the knob/lever is held in place by the knob/lever catch.

the rollback of knob



Slot of Knob Shank

or

the rollback of lever



slot of lever shank

While depressing the catch, push knob further onto shaft and remove catch tool to secure knob.)



24. Turn knob to check if lock functions properly.



or



25. Insert the key again to check if key functions properly.

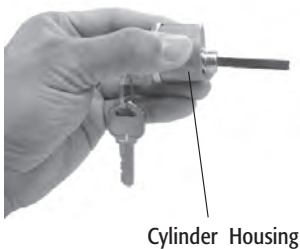


or



3.2 Deadbolt

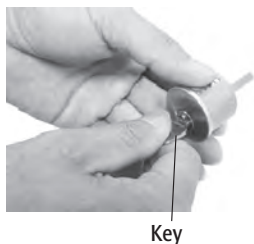
1. Disassemble deadbolt, remove cylinder from cylinder guard, insert the key.



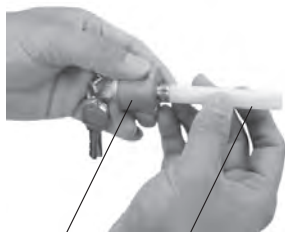
2. Remove the C-clip with the spanner tool.



3. Turn key 45° - 90°



4. Insert plug follower to push plug out of cylinder housing.
(Note: 2 slots on follower should always be kept horizontal before you insert the follower.)



Cylinder
Housing

Plug Follower

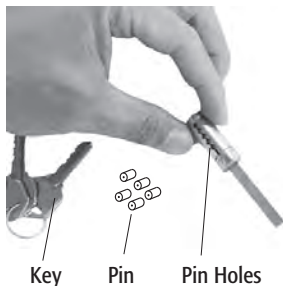


Plug

Caution:

Do not pull the plug follower from cylinder housing.
Maintain contact between plug and follower until the plug
is removed, otherwise top pins and springs will fall out.

5. Pull out key and remove bottom pins out of pin holes.

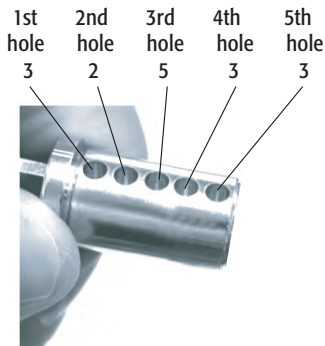


6. Insert new key.
Read the number stamped on key bow, for example, 32533.

Key number is stamped on key bow

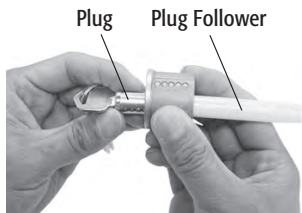


7. Pick a bottom pin #3 from keying kit box and load it into 1st hole next to key head, load a bottom pin #2 into 2nd hole, bottom pin #5 into 3rd hole, bottom pin #3 into 4th hole and bottom pin #3 into 5th hole.



8. Make sure all pins are flush with surface of the keyway with the key inserted.
The flat part of the pins will be on top.

9. Turn key 45° - 90° insert plug back into cylinder housing.
(Slots on follower end should always be kept horizontal to avoid pins from being trapped)



10. Push plug follower out using the plug only. Maintain contact between plug and follower at all times.



Try new key to see if plug rotates smoothly without interference.



R32-10K017
11/10-00

DEFIANT®

Help Line Toll-Free **1.877.663.LOCK**