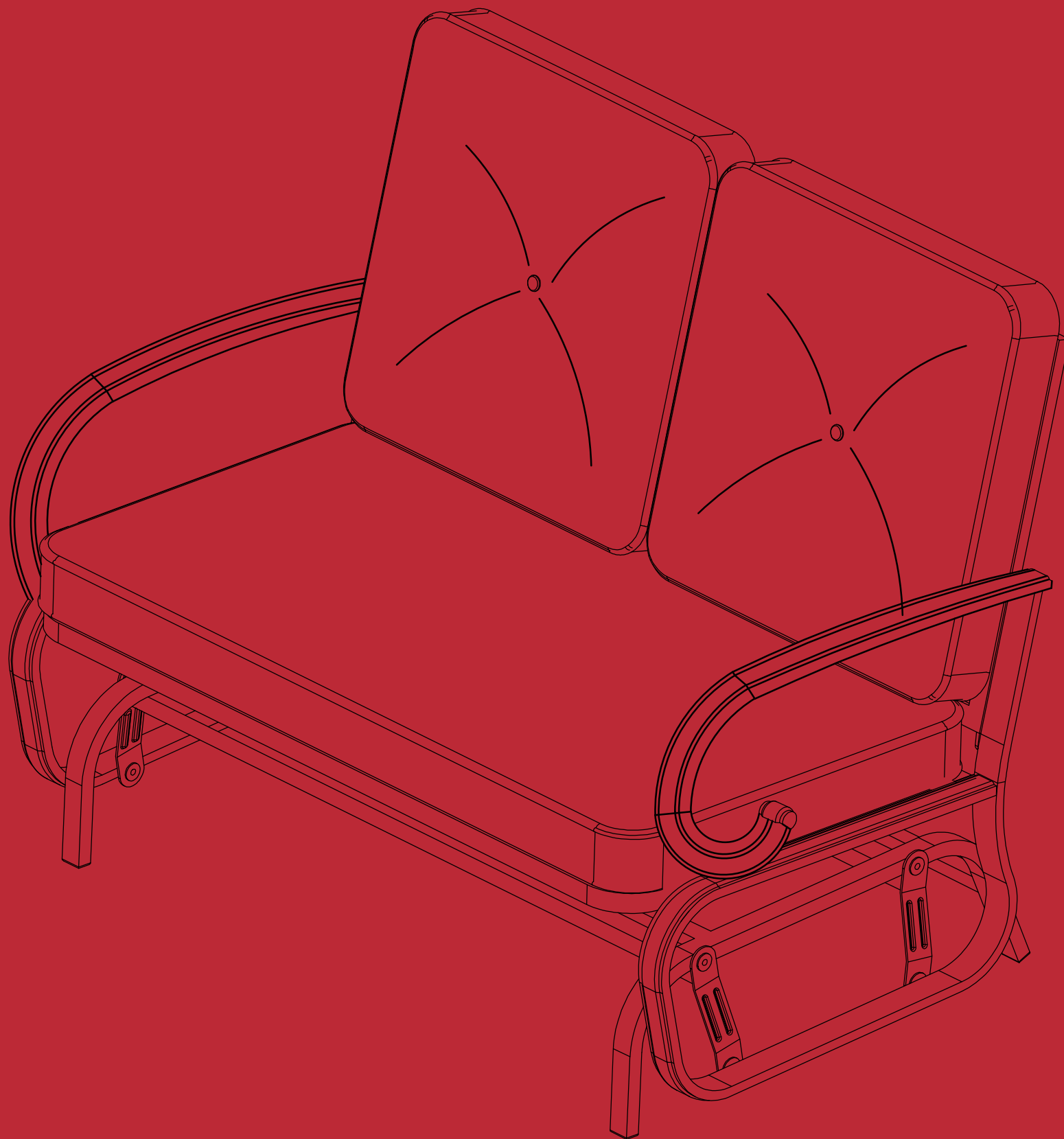




COSTWAY

WHERE THERE IS COSTWAY THERE IS HOME



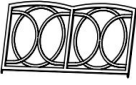
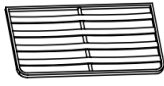












USER'S MANUAL

GLIDER CHAIR

HW51783

PRODUCT ASSEMBLY**ASSEMBLE ON A FLAT, PROTECTED SURFACE.**

PART LIST	FIGURE	QUANTITY	DESCRIPTION
A		1 PC	RIGHT ARM
B		1 PC	LEFT ARM
C		1 PC	BACK
D		1 PC	SEAT
E		1 PC	BASE
F		2 PCS	GLIDER
G		6 + 1 PCS	SHORT BOLT (M6*18)
H		2 + 1 PCS	LONG BOLT (M6*40)
I		8 + 1 PCS	MEDIUM BOLT (M6*30)
J		8 + 1 PCS	FLAT WASHER
K		16 + 1 PCS	FLAT WASHER
L		1 PC	ALLEN WRENCH
M		1 PC	SEAT CUSHION
N		2 PCS	BACK CUSHION

DO NOT fully tighten all screws until assembly is completed

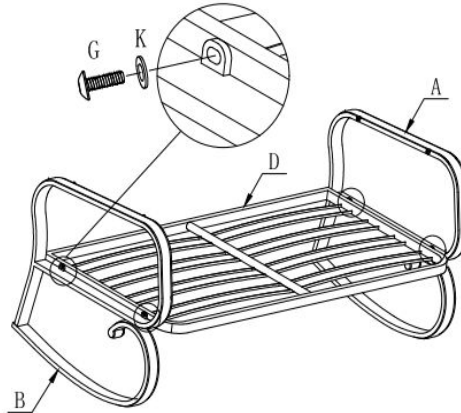
PRODUCT ASSEMBLY

STEP 1

A. PLACE RIGHT ARM (A) UPSIDE DOWN ON A FLAT, PROTECTED SURFACE.

B. ATTACH SEAT (D) TO RIGHT ARM (A) WITH FLAT WASHER (K) AND SHORT BOLT (G) USING ALLEN WRENCH (L). DO NOT TIGHTEN COMPLETELY.

C. ATTACH LEFT ARM (B) TO SEAT (D) WITH FLAT WASHER (K) AND SHORT BOLT (G) USING ALLEN WRENCH (L). DO NOT TIGHTEN COMPLETELY.

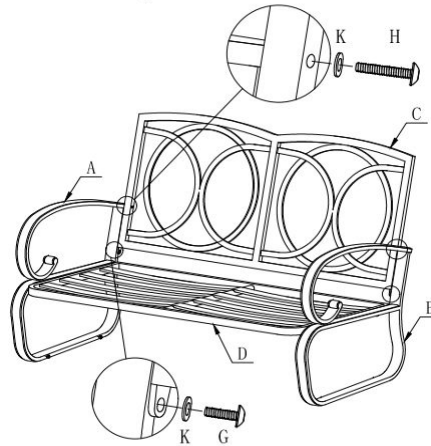


STEP 2

A. TURN SEAT ASSEMBLY TO UPRIGHT POSITION.

B. CONNECT BACK (C) TO RIGHT ARM (A) AND LEFT ARM (B) WITH FLAT WASHER (K) AND MEDIUM BOLT (H) USING ALLEN WRENCH (L). DO NOT TIGHTEN COMPLETELY.

C. CONNECT BACK (C) TO SEAT (D) WITH FLAT WASHER (K) AND SHORT BOLT (G) USING ALLEN WRENCH (L). DO NOT TIGHTEN COMPLETELY.

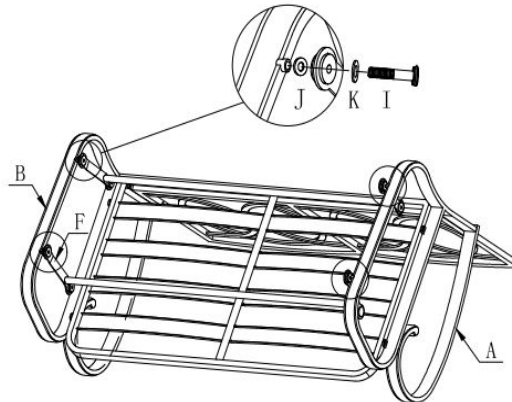


STEP 3

A. GENTLY TIP CHAIR FORWARD TO FLOOR.

B. ATTACH LONG ARM OF GLIDER SUPPORT GLIDER (F) TO BOTTOM OF RIGHT ARM (A) WITH FLAT WASHER (J), FLAT WASHER (K) AND LONG BOLT (I) USING WRENCH (L). DO NOT TIGHTEN COMPLETELY.

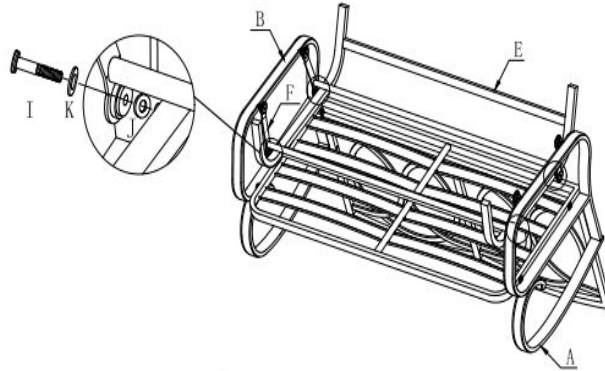
C. REPEAT TO ATTACH GLIDER (F) TO LEFT ARM (B), DO NOT TIGHTEN COMPLETELY.



PRODUCT ASSEMBLY

STEP 4

A. ATTACH BASE (E) TO SHORT ARM OF GLIDER SUPPORT ON GLIDER (F) WITH FLAT WASHER (K), FLAT WASHER (J) AND LONG BOLT (I) USING ALLEN WRENCH (L).

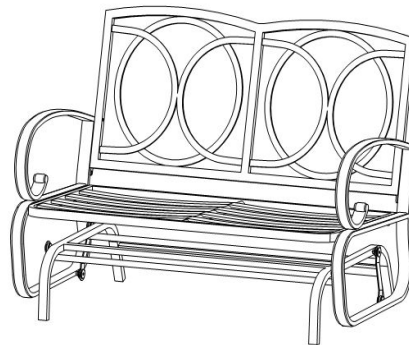


STEP 5

A. TURN GLIDER TO UPRIGHT POSITION SO THAT IT STANDS SQUARELY ON THE FLOOR.

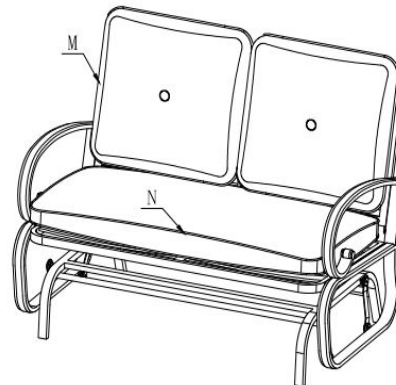
B. TIGHTEN ALL BOLTS SECURELY USING ALLEN WRENCH (L).

C. RETAIN ALLEN WRENCH (L) FOR USE TO TIGHTEN BOLTS PERIODICALLY OR AS NEEDED.



STEP 6

A. PUT SEAT CUSHION (N) WITH BANDAGE TIES ON THE SEAT, THEN PUT ON THE BACK CUSHIONS.



WEIGHT LIMIT
500 LBS

CARE AND CLEANING

IN ORDER TO PROLONG THE LIFE OF YOUR GLIDER, PLEASE STORE IN DRY SHELTERED PLACE WHEN NOT IN USE OR DURING INCLEMENT WEATHER.



TIPS:

**Your suggestions and comments for Costway are really important to us!
We sincerely solicit you to go back to our shop and leave a good rating in just a simple click. It would be quite encouraging if you could kindly do so like below:**

★★★★★ Great products so far

February 24, 2018

Great product so far. Fast delivery, easy setup, and working without any issues.

**With your inspiring rating, Costway will be more consistent to offer you
EASY SHOPPING EXPERIENCE, GOOD PRODUCTS and EFFICIENT SERVICE!**

