

VAPOR LIGHT

SPEC SHEET



Catalog No. : VPR14-4K-WM-GR

Type : VAPOR LIGHT

Project Name :

Location :

Qty :

Date :

High-efficiency fixture replaces a 120-Watt metal halide incandescent bulb with only a 14-Watt LED or 91% less energy, easily saving \$90 per year compared to incandescent bulbs. Heavy-duty, corrosion resistant and vapor tight die-cast aluminum construction with commercial-grade powder coat paint delivers a long-lasting and durable look. Included threaded cage provides additional protection against vandalism and harsh weather.

APPLICATIONS

The vapor tight fixture shields against dust, moisture and flammable vapor from entering into the light fixture reducing risks of fire in hazardous locations. It is ideal for garages, work-stations, barns, industrial areas, construction zones, car washes, sheds and storage areas, cold-storage and bridges and tunnels.

PRODUCT PERFORMANCE AT A GLANCE

SYSTEM WATTAGE	LED WATTAGE	LUMENS	LPW	CRI	REPLACES (MH)
14W	13W	1389 lm	107 lm/w	≥70	120W

HOUSING

Die-cast aluminum back plate, junction box, and heat sink sealed with a thermal impact-resistant frosted polycarbonate globe and a die-cast threaded cage guard secured with stainless steel hardware.

IP RATING & LISTINGS

UL/cUL listed to the UL 1598 standard, suitable for Wet Locations.

Suitable for use in ambient from -30° to 40°C (-22° to 104°F).

Product is DesignLights Consortium® qualified, cULus, and FCC Certified

OPTICS

Type-V light distribution provides a circular-shaped even and wide light coverage.

MOUNTING

Built in junction box with 5" mounting flanges and 1/2" NPT for threaded conduit on the sides.

FINISH

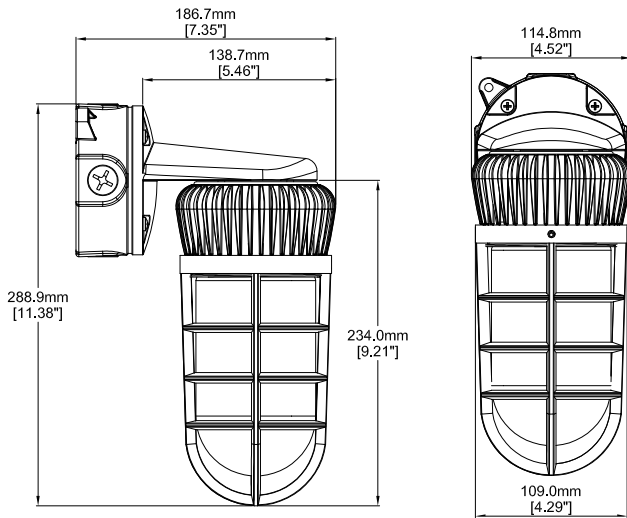
Shot blasted aluminium finish (As casted appearance).

WARRANTY

Fixture is covered by a 5-year limited warranty.

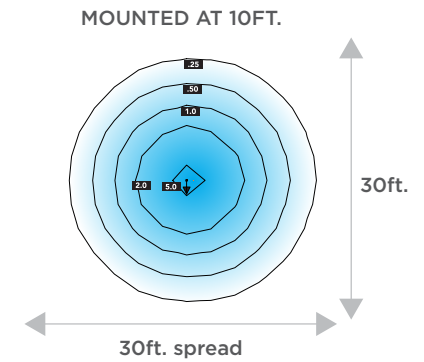
See probrite.com/warranty for details.

PRODUCT LINE DRAWING



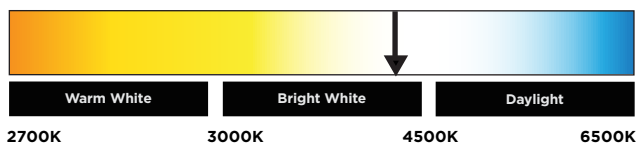
SUGGESTED MOUNTING HEIGHT:
8-15 FT. (2.4-4.6M)

2D PHOTOMETRIC VIEW



PRODUCT SPECIFICATIONS

Product Dimensions	: 11.38" x 7.35" x 4.52
Weight	: 3.97lbs
Lumens	: 1389
System Wattage	: 14w
LED Wattage	: 13w
Efficacy	: 107
CRI	: 70
Replaces (MH)	: 120w
Mounting	: Wall mount
Frequency	: 50-60Hz
THD (Total Harmonic Distortion)	: <20%
PF (Power Factor)	: >0.9
Ambient Operating Temperature	: (-30) °C/40
Input Voltage	: 120-277V
LED Chip	: Cited LED COB CLU028
Photocell	: No
Driver	: Non-dimming
Standard Lifetime	: L70 >50,000hrs
Standard Warranty	: 5yrs
Water Proofing Grade	: Suitable for Wet location
CCT	: 4000K
Certifications	: DLC, UL/cUL



APPLICATION

