

TROUBLESHOOTING:

	Possible Cause	Corrective Action
Light will not turn on.	1. Power is off.	1. Make sure power supply is on.
	2. Faulty switch.	2. Test or replace switch.
	3. Faulty wire connection.	3. Check wiring.
Fuse blows or circuit breaker trips when light is turned on.	1. Crossed wires or power wire is grounding out.	1. Check wire connections.

PRODUCT MAINTENANCE:

1. To clean the outside of the fixture, use a dry or slightly dampened clean cloth (use clean water, never a solvent) to wipe the surface of the fixture.
2. To clean the inside of the fixture, first disconnect power to the fixture by turning off the circuit breaker or by removing the fuse at the fuse box. Next, use a dry or slightly dampened clean cloth (use clean water, never a solvent) to wipe the interior surface of the fixture.
3. Do not use any cleaners with chemicals, solvents or harsh abrasives. Use only a dry soft cloth to dust or wipe carefully.

LIMITED WARRANTY

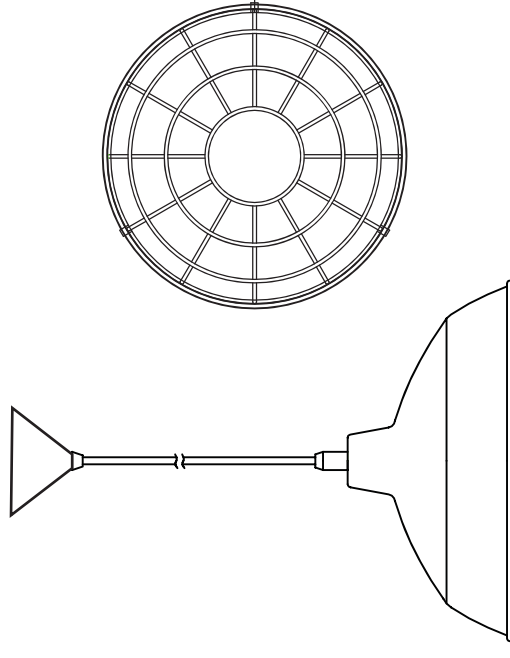
The manufacturer warrants this lighting fixture to be free from defects in materials and workmanship for a period of two (2) years from date of purchase. This warranty applies only to the original consumer purchaser and only to products used in normal use and service. If this product is found to be defective, the manufacturer's only obligation, and your exclusive remedy, is the repair or replacement of the product at the manufacturer's discretion, provided that the product has not been damaged through misuse, abuse, accident, modifications, alterations, neglect or mishandling. This warranty shall not apply to any product that is found to have been improperly installed, set-up, or used in any way not in accordance with the instructions supplied with the product. This warranty shall not apply to a failure of the product as a result of an accident, misuse, abuse, negligence, alteration, or faulty installation, or any other failure not relating to faulty material or workmanship. This warranty shall not apply to the finish on any portion of the product, such as surface and/or weathering, as this is considered normal wear and tear. The manufacturer does not warrant and specially disclaims any warranty, whether expressed or implied, of fitness for a particular purpose, other than the warranty contained herein. The manufacturer specifically disclaims any liability and shall not be liable for any consequential or incidental loss or damage, including but not limited to any labor/expense costs involved in the replacement or repair of said product.

ELIGHT

23 watt CFL Utility Pendant Light

Model 8151

INSTALLATION MANUAL



Thank you for purchasing this eLIGHT CFL Pendant Light Fixture.
This product has been manufactured with the highest standards of safety and quality.

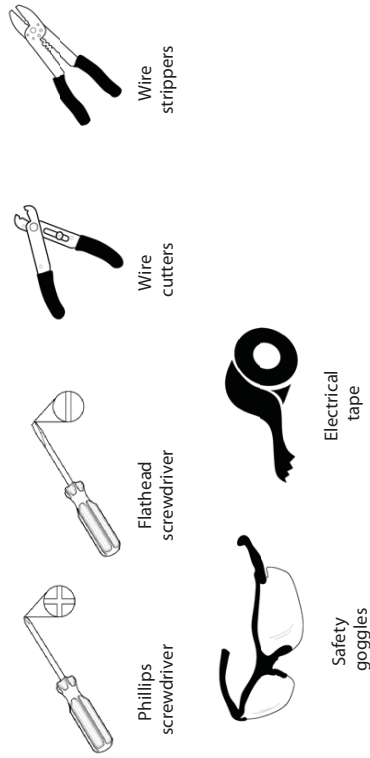
FEATURES:

1. Easy to install.
2. Powder coated white pendant light fixture with chrome wire guard.
3. For energy savings this fixture has been engineered to safely use a Self Ballasted Compact Fluorescent Lamp in place of an incandescent lamp

CAUTION:

1. Before starting installation of this fixture or removal of a previous fixture, disconnect the power by turning off the circuit breaker or by removing the fuse at the fuse box.
2. CONSULT A QUALIFIED ELECTRICIAN IF YOU HAVE ANY ELECTRICAL QUESTIONS.
3. Keep your receipt and these instructions for Proof of Purchase.

TOOLS REQUIRED FOR INSTALLATION AND ASSEMBLY
(not included):



INSTALLATION INSTRUCTIONS:

1. Pull the power supply wires out from the Ceiling Outlet Box. Attach the Black Supply Wire to the Black Fixture Wire and the White Supply Wire to the White Fixture Wire. Using a small screwdriver, tighten the wires securely into quick connector box. Tape the Supply Ground.
Note: if you have electrical questions, consult your local electrical code for approved grounding methods.
2. Carefully, tuck all the wires and wire connections into the Outlet Box. Slide the Fixture Pan over the Outlet Box and then slide the decorative up the cord and tighten securely.
3. Installation is complete. Turn on power at the circuit breaker or fuse box. Turn the light switch on to activate the fixture.

