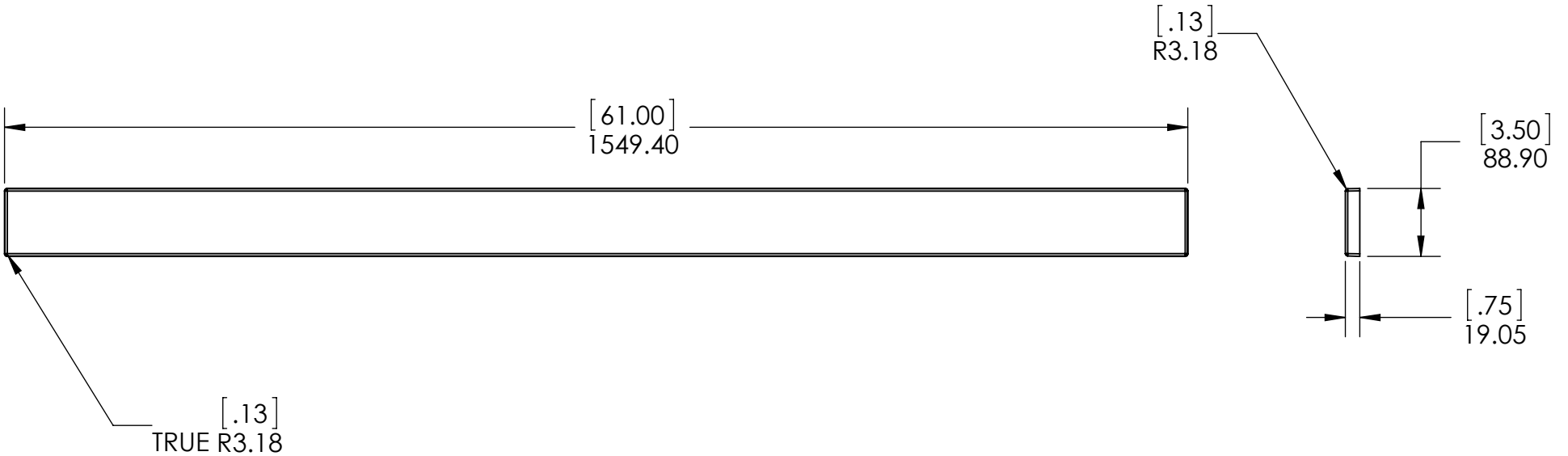


|       |             |          |
|-------|-------------|----------|
| Rev # | Approved by | Change   |
| 0     | R. Rubio    | Released |



**PROPRIETARY AND CONFIDENTIAL**  
 THE INFORMATION CONTAINED IN THIS DRAWING IS THE  
 SOLE PROPERTY OF WOODCRAFTERS. ANY  
 REPRODUCTION IN PART OR AS A WHOLE WITHOUT THE  
 WRITTEN PERMISSION OF WOODCRAFTERS IS PROHIBITED.

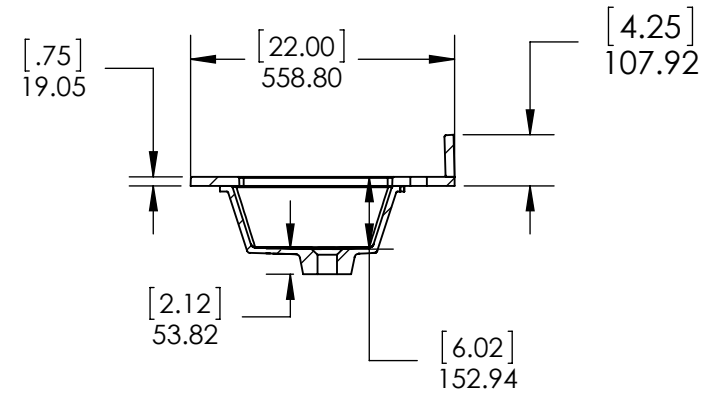
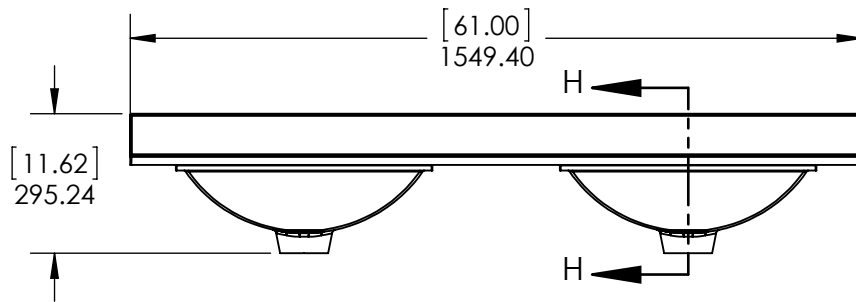
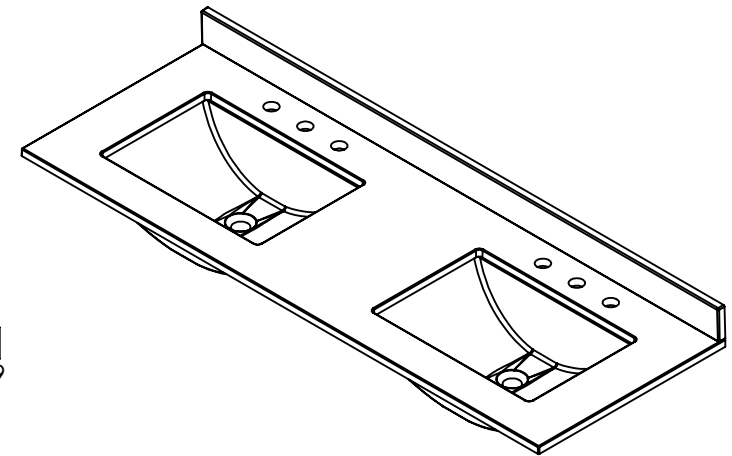
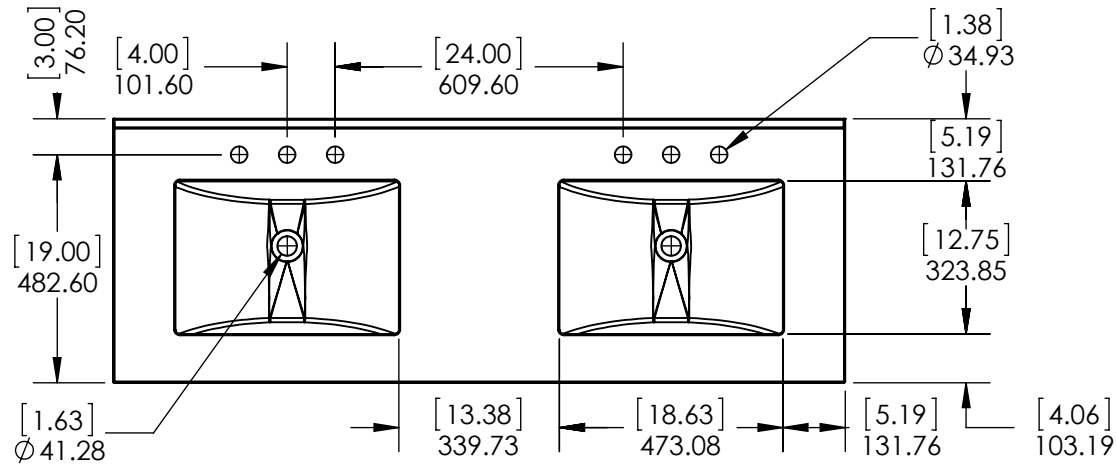
UNLESS OTHERWISE SPECIFIED  
 DIMENSIONS ARE IN MM.  
 AND (INCHES)  
 TOLERANCES ARE  
 + 0.125 [3.175] - 0.125 [-3.175]  
 SCALE: 1: 8

|           | NAME        | DATE     |
|-----------|-------------|----------|
| DRAWN     | J.Martinez  | 08/12/16 |
| CHECKED   | E. Sandoval | 08/12/16 |
| ENG APPR. | R. Rubio    | 08/12/16 |
| MFG APPR. | C. Leal     | 08/12/16 |

**Wood Crafters**

SIZE DWG. NO. SHEET 1 OF 2  
**A** Backsplash 61x3.5 REV: **0**

| Rev # | Approved by | Change          |
|-------|-------------|-----------------|
| 0     | R. Rubio    | Released        |
| 1     | R. Rubio    | New Model Added |



**PROPRIETARY AND CONFIDENTIAL**  
 THE INFORMATION CONTAINED IN THIS DRAWING IS THE SOLE PROPERTY OF WOODCRAFTERS. ANY REPRODUCTION IN PART OR AS A WHOLE WITHOUT THE WRITTEN PERMISSION OF WOODCRAFTERS IS PROHIBITED.

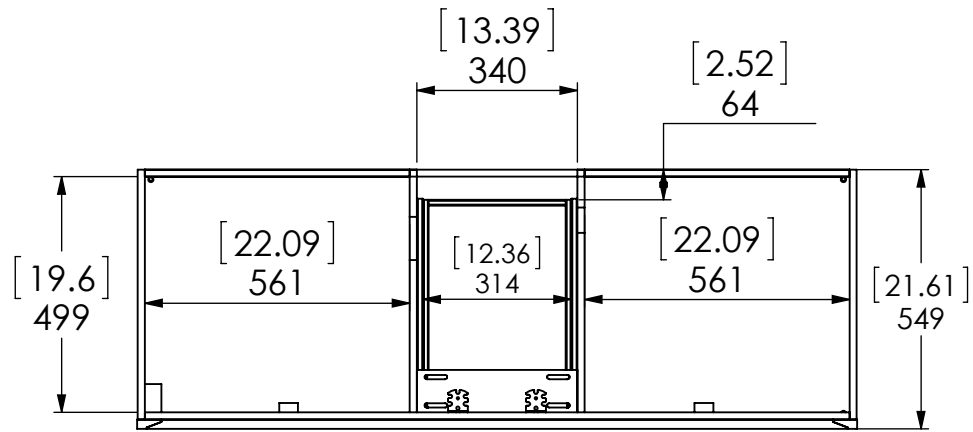
UNLESS OTHERWISE SPECIFIED  
 DIMENSIONS ARE IN MM.  
 AND (INCHES)  
 TOLERANCES ARE  
 +0.125 [3.175] -0.125 [-3.175]  
 SCALE:1:16

|           | NAME     | DATE     |
|-----------|----------|----------|
| DRAWN     | O. Razo  | 09/18/17 |
| CHECKED   | R. Rubio | 09/18/17 |
| ENG APPR. | R. Rubio | 09/18/17 |
| MFG APPR. | C. Leal  | 09/18/17 |

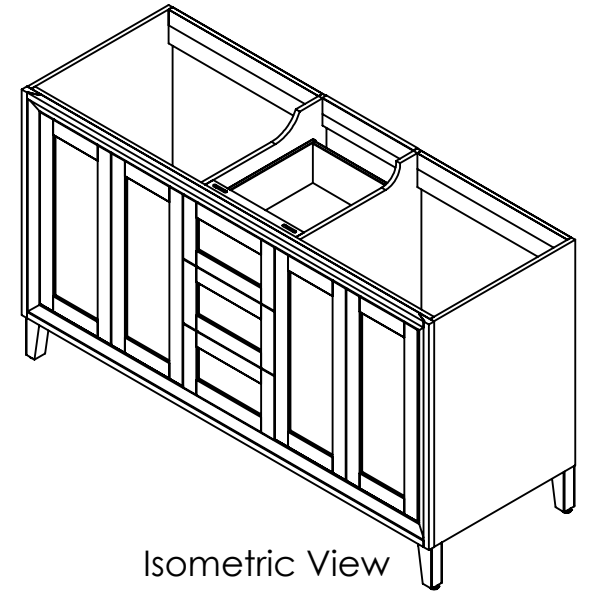
**Wood Crafters**

SIZE DWG. NO. **A** Shark Tank 61x22 Rect

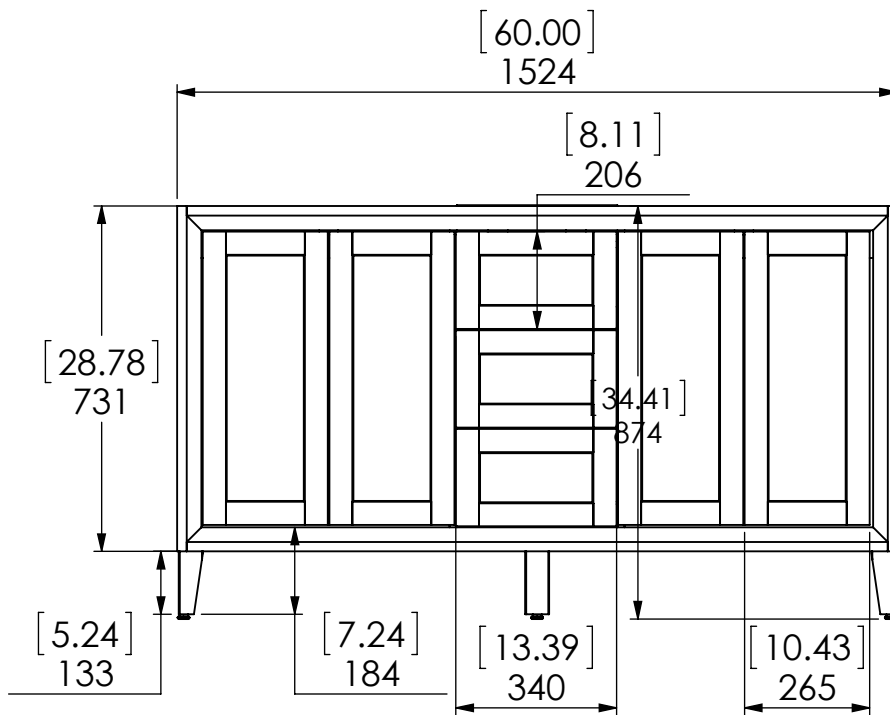
SHEET 1 OF 2 REV. **1**



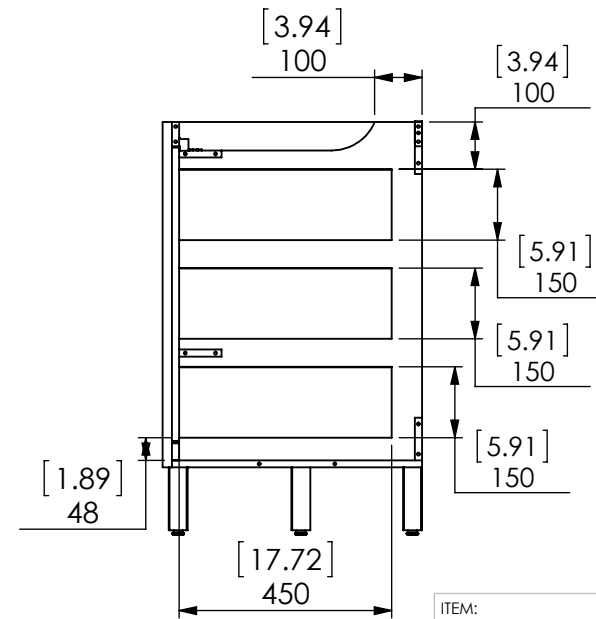
Top View



Isometric View



Front View



Side View



ITEM: **AU60-BL/GP** REV **A**

NAME: **Austell Vanity 60in**

|              |     |          |           |                             |
|--------------|-----|----------|-----------|-----------------------------|
| DWR          | ARB | 04/12/18 | MATERIAL: | <b>Plywood 15mm</b>         |
| REV          | R&D | 04/12/18 |           |                             |
| APP          | ING | 04/12/18 |           |                             |
| ESCALA: 1:20 |     |          | MODEL:    | <b>Austell Vanity 60 in</b> |