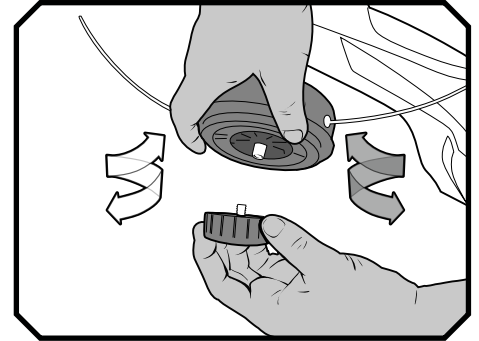
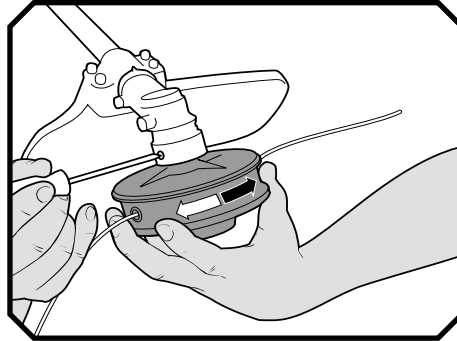




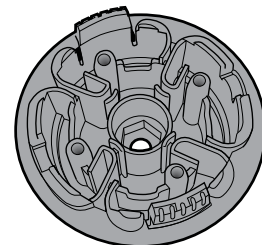
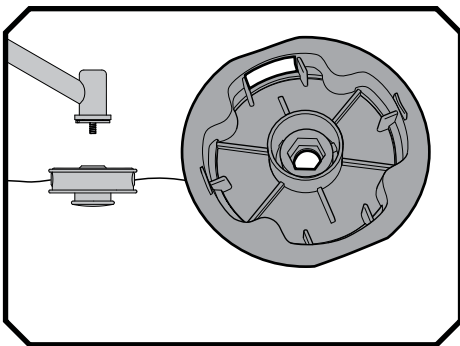
AERO-FLEX® UNIVERSAL TRIMMER UPGRADE KIT

CONVERSION, ASSEMBLY, SAFE USE, & METHODS

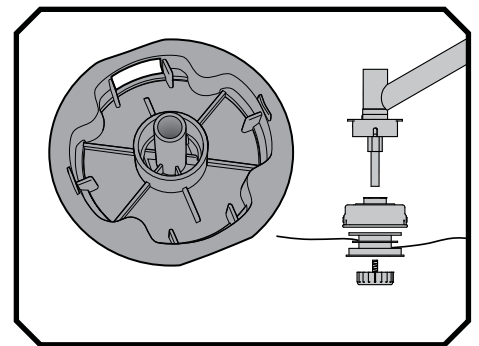
- 1** Remove existing head, may be a right or left thread. This will tell you which type of fastener to use. (step 3)



- 2** Select the proper receiver head. Short or long arbor, based on trimmer type.



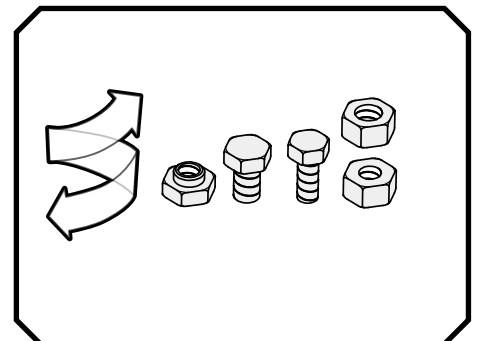
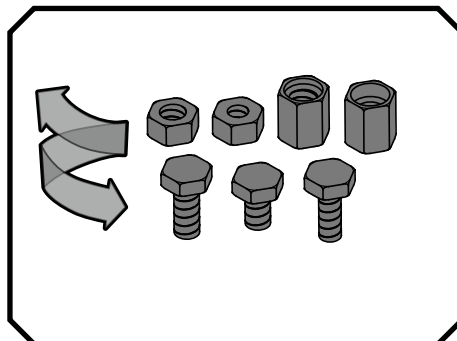
(Line blade cap)

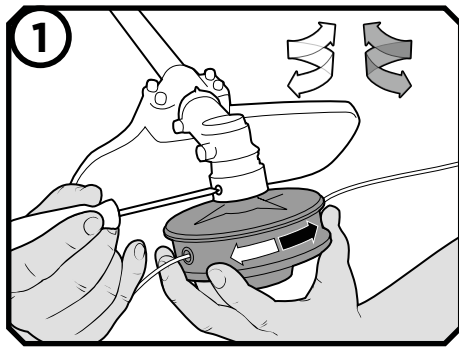


Short arbor trimmers: refer to page 2

Long arbor trimmers: refer to page 3

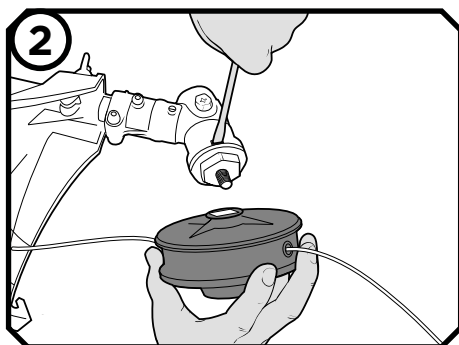
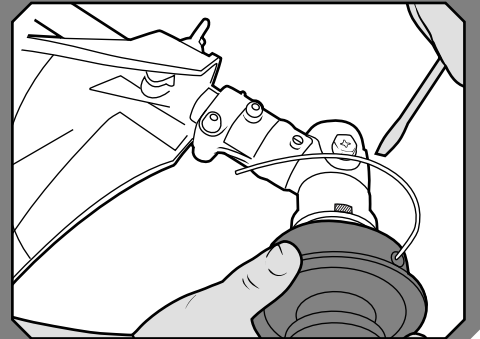
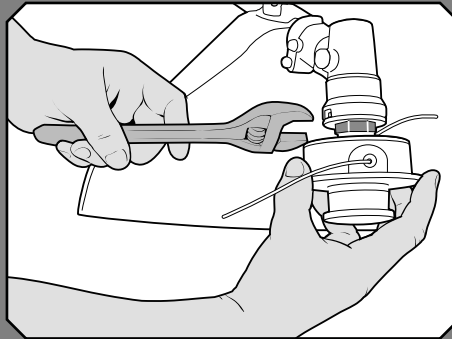
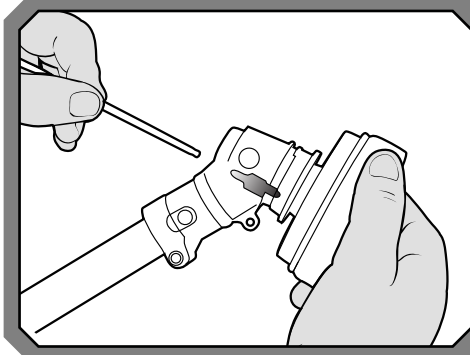
- 3** Choose a fastener that fits your trimmer arbor and threads in the correct direction. Black hardware tightens left, and silver tightens right.



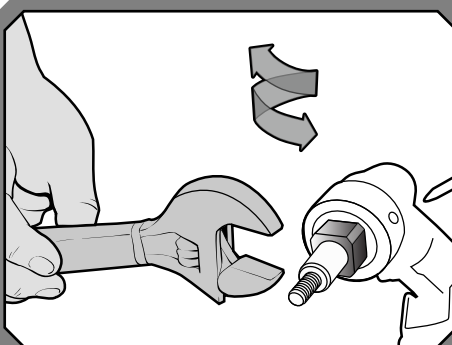


Lock the shaft and remove the original head.

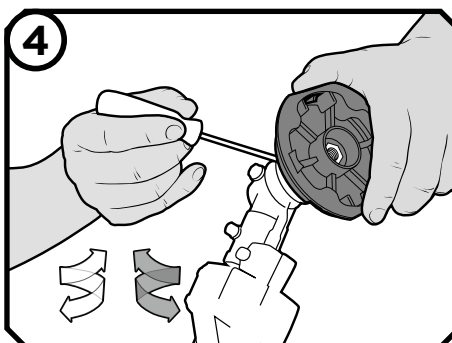
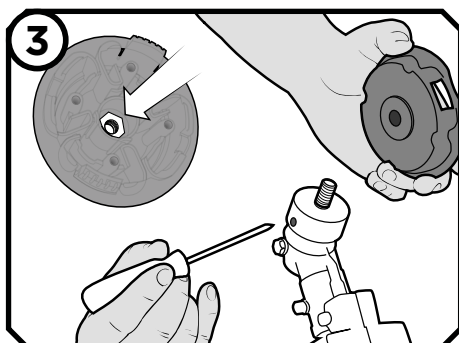
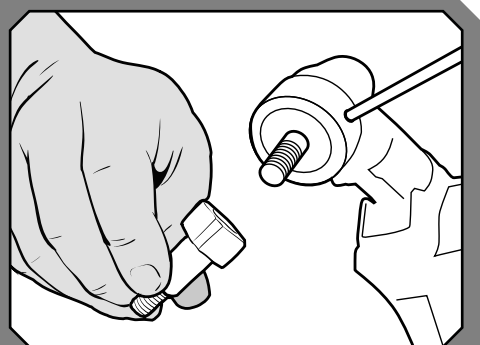
Alternate ways to lock the shaft:



Short arbor heads remove in one piece.

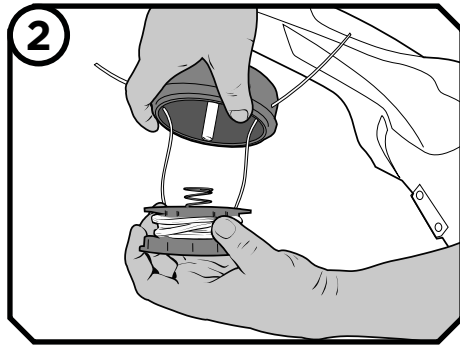
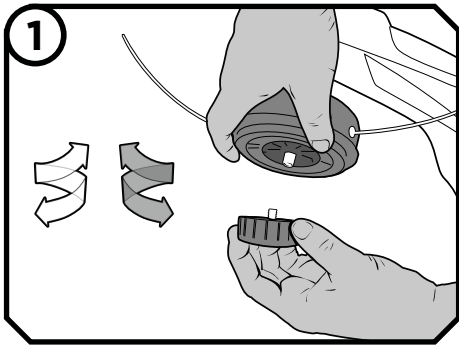


Remove any arbor adapter if found.

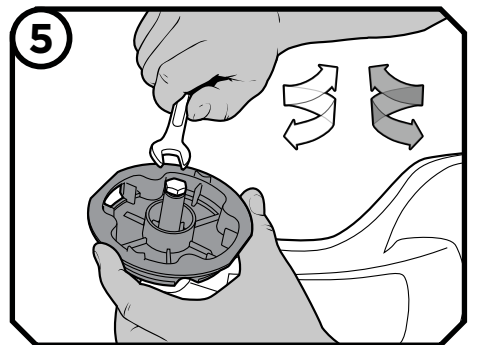
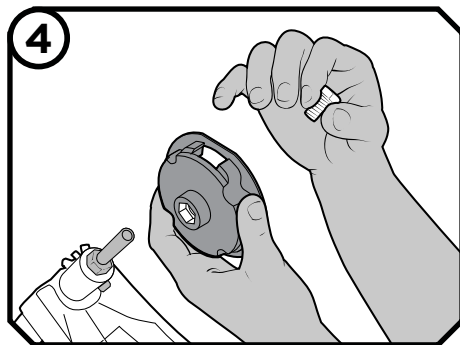
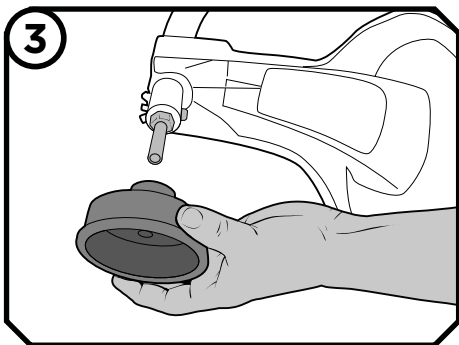
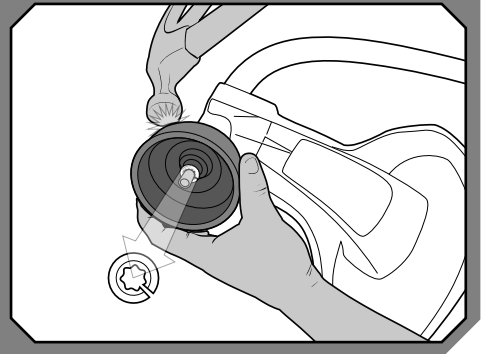
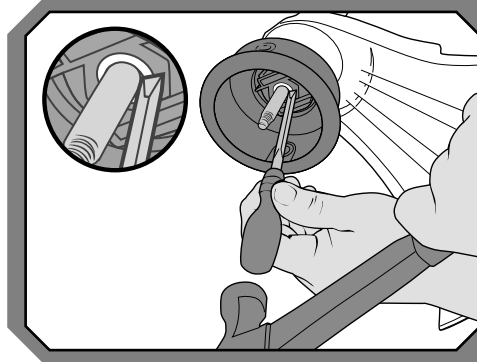


Ensure the correct fastener is in the receiver head's nut pocket and tighten onto the arbor.

LONG ARBOR CONVERSION

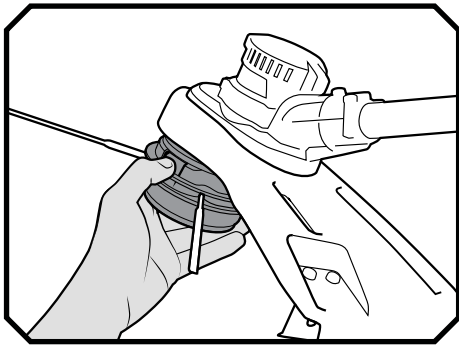


If there is a retaining washer, split it with a sharp chisel and knock it out.

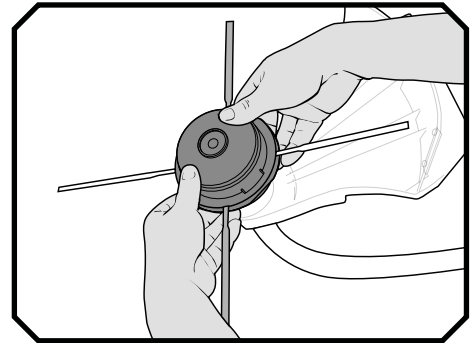
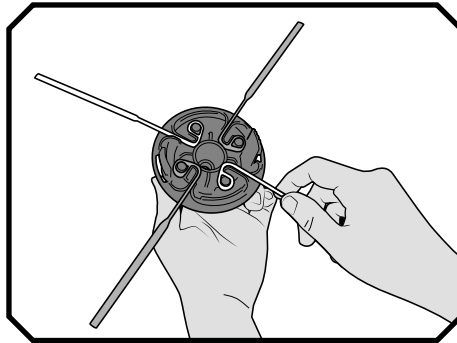
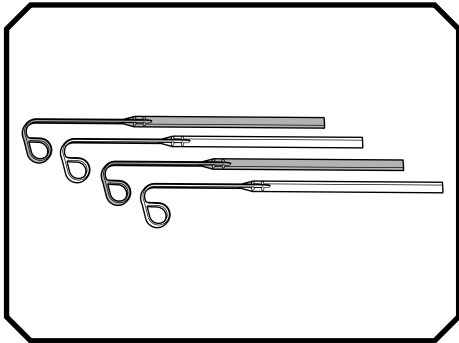


Secure with 40-60 ft-lbs of torque.

REPLACING CAP AND LINE BLADES



Remove cap: squeeze the finger tabs and pull (screwdriver in slot if needed.)



Alternately assemble two orange and two yellow line blades.

SAFE OPERATION



WARNING ALERT



Read/follow instructions



Flying debris & blade contact



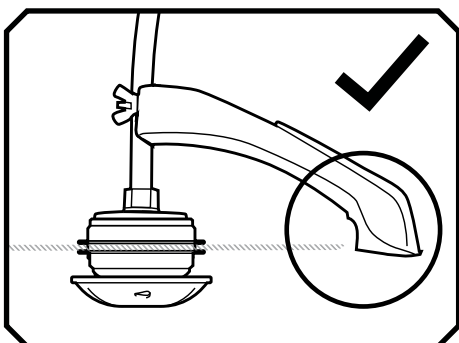
Protect eyes and ears



Protect bystanders

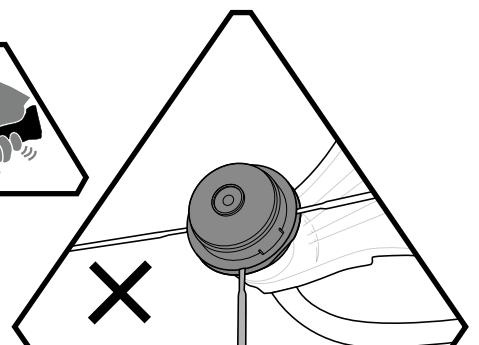
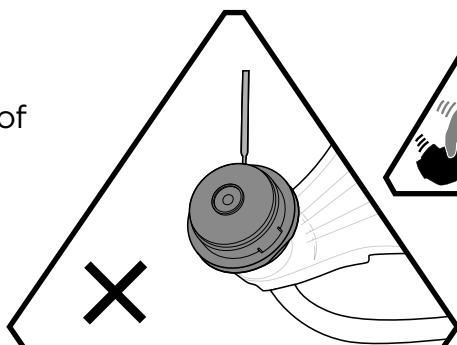


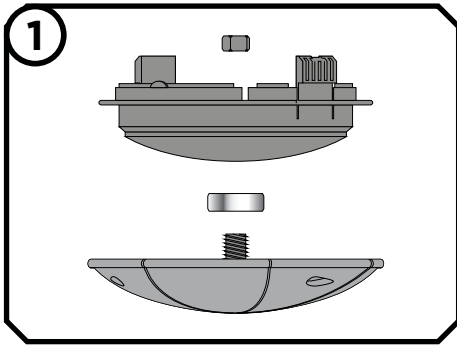
Do not use without a shield



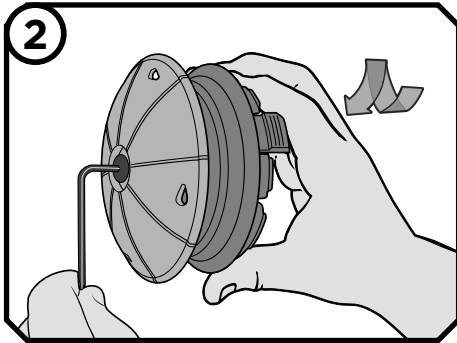
To reduce thrown objects, ensure proper shield alignment.

Never install an uneven number of line blades.

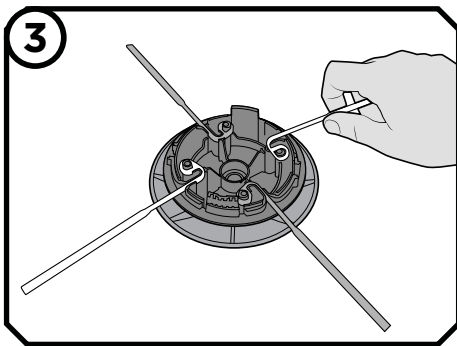




If you have a GC™ Glider to fit onto your Aero-Flex® Universal Upgrade Kit, adding it is a breeze.



With bearing and bolt, install Glider to nut in cap pocket with hex allen wrench. Hand tighten to 40 ft-lbs counter-clockwise.



Replace the line blades and snap cap back into the receiver.

