

Parts Catalog

42in Bagger Zero-Turn-Radius Riding Mower

Model No. 79397—Serial No. 400000000 and Up



Ordering Replacement Parts

To order replacement parts, please supply the part number, the quantity, and the description of each part desired.

Understanding Reference Numbers

Each identified part in an illustration has a reference number. The reference number for a part also appears in the parts list, along with other information about the part.

This catalog uses two special reference number formats, one to indicate parts in a service assembly and another to indicate the quantity of a given part in an illustration.

Service Assembly Reference Numbers

Parts in service assemblies have reference numbers in the form a:b. The a represents the reference number of the entire service assembly and the b represents a sequential number unique to each part within the service assembly.

For example, a wheel assembly might be identified by reference number 6, the tire by 6:1, the valve by 6:2, and the wheel by 6:3. When you order the assembly identified by reference number 6, you receive all parts identified by reference numbers 6:1, 6:2, and 6:3. However, you may also order any part individually. Reference numbers of this type appear in illustration and in parts lists.

Reference Numbers Indicating Quantity

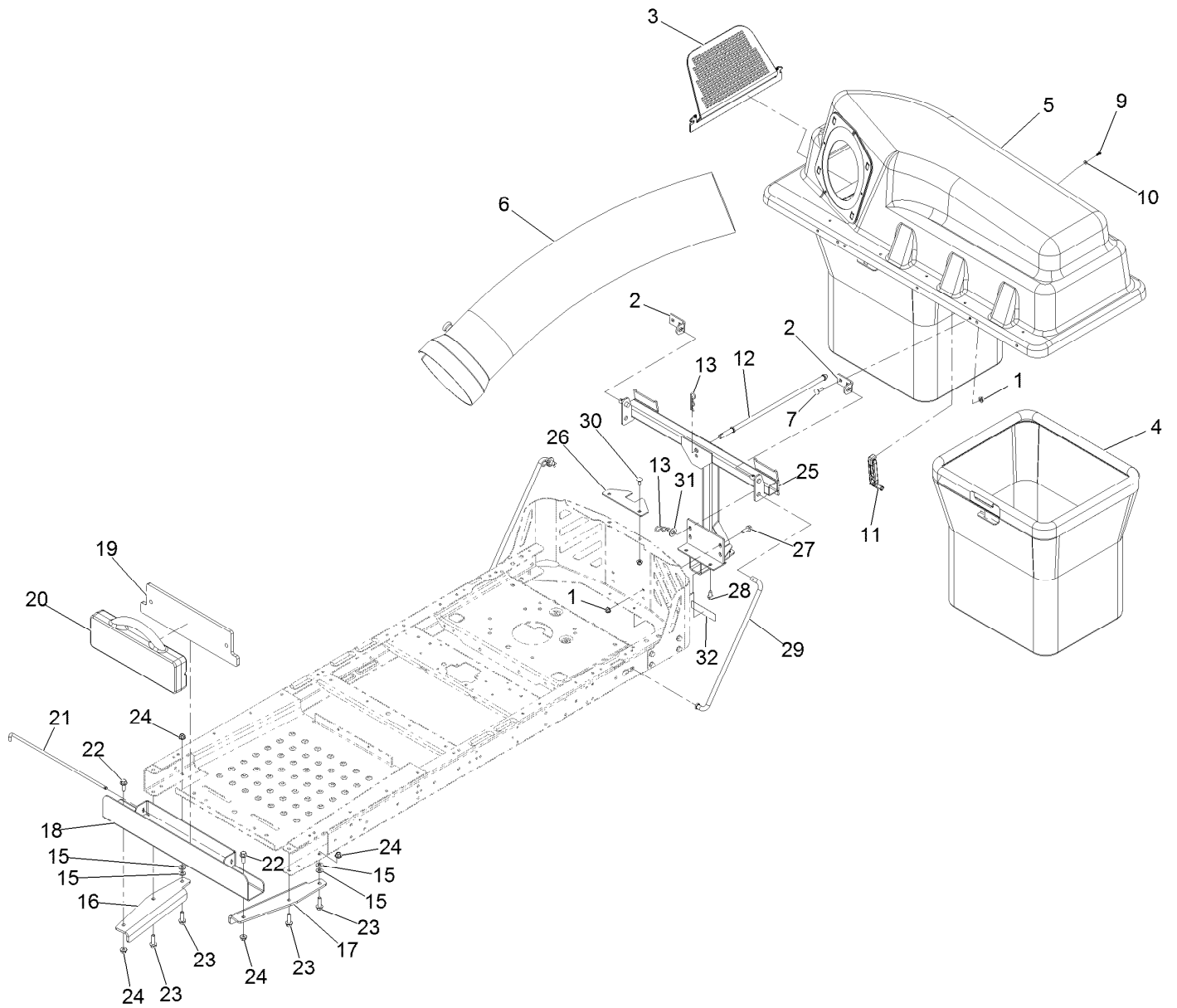
In an illustration, if a reference number indicates more than one part, the reference number has the form nX y. The n represents the quantity of the part, the X is the multiplication symbol, and the y represents the reference number.

For example, in an illustration, the reference number 2X 37 means that two of the parts identified by reference number 37 are indicated.

Contents

Bagger Assembly	4
Bag Assembly	6
Bagger Top Assembly No. 131-8654	8
Bagger Boot Assembly	10
Bagger Boot Assembly No. 137-5035	12

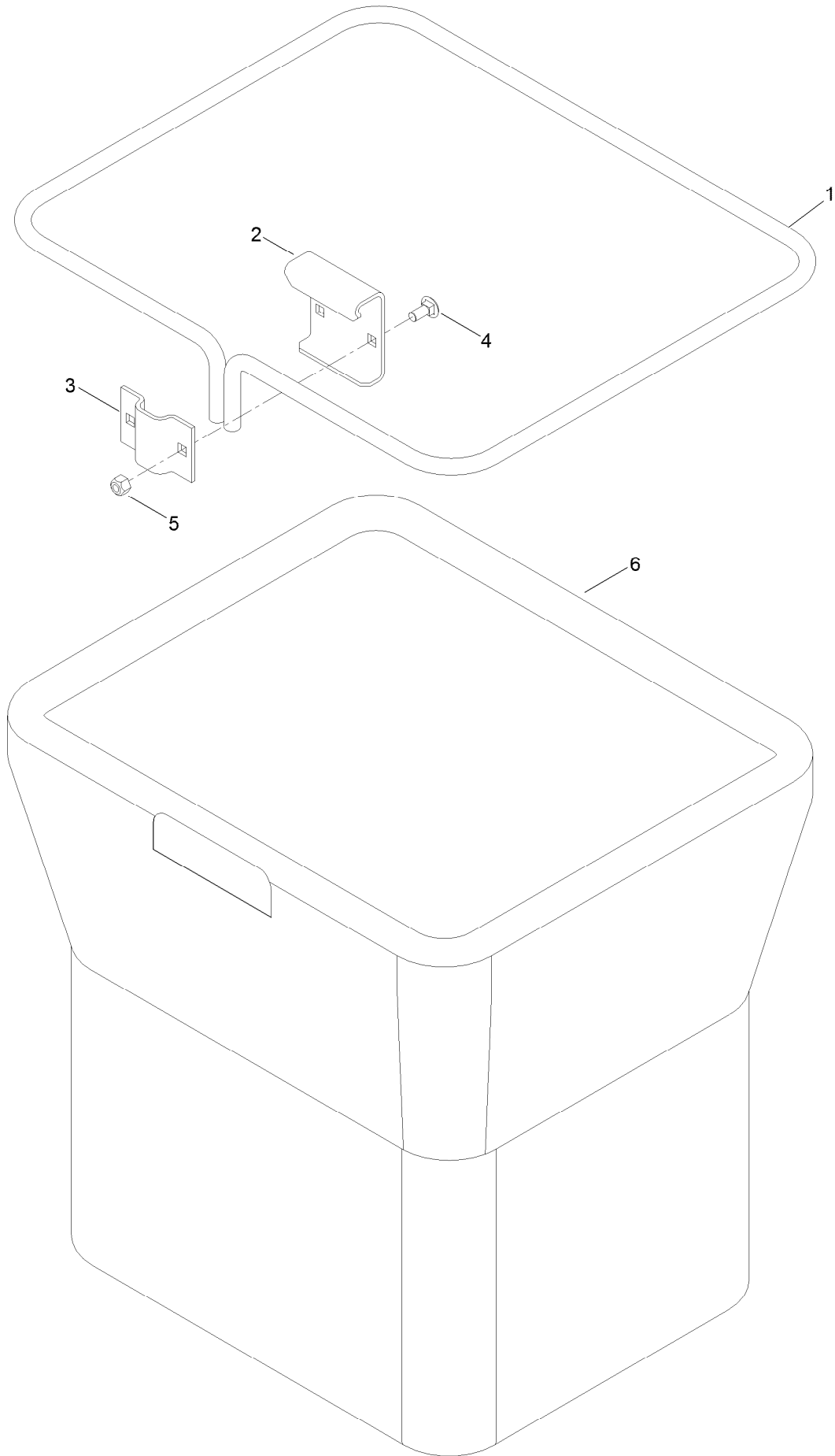
Bagger Assembly



Bagger Assembly (continued)

<i>Ref.</i>	<i>Part Number</i>	<i>Qty.</i>	<i>Description</i>	<i>Ref.</i>	<i>Part Number</i>	<i>Qty.</i>	<i>Description</i>
1	104-8300	8	Nut-HF, NI	18	120-5491-03	1	Channel-Weight, Bagger
2	112-3987	2	Bracket-Pivot, Hopper	19	120-5495-03	1	Plate
3	112-3993	1	Screen-Bagger	20	109-9742-05	1	Weight-35 Pound
4	112-3994	2	Bag ASM	21	109-9759	1	Pin-Weight
5	131-8654	1	Bagger Top ASM	22	3234-42	2	Screw-HHF
6	112-3995	1	Tube-Bagger	23	119-4061	4	Screw-HHF
7	3230-2	4	Bolt-CARR	24	104-8301	4	Nut-HF, NI
9	132-6919	2	Screw-Plastite	25	133-4320-03	1	Frame ASM-Pivot [black]
10	3256-77	2	Washer-Flat	26	131-3967-03	1	Bracket-Stabilizer
11	116-4992	1	Latch-Rubber	27	3234-29	2	Screw-HHF
12	131-4189	1	Rod-Hood, Down (Hold)	28	32144-70	2	Screw-HWHTF
13	3290-355	3	Pin-Hair	29	119-8853	2	Rod-Support
15	3256-24	4	Washer-Flat	30	3230-1	2	Bolt-CARR
16	120-5502-03	1	Bracket-Bagger Weight, RH	31	3256-26	2	Washer-Flat
17	120-5497-03	1	Bracket-Bagger Weight, LH	32	131-4036	1	Decal

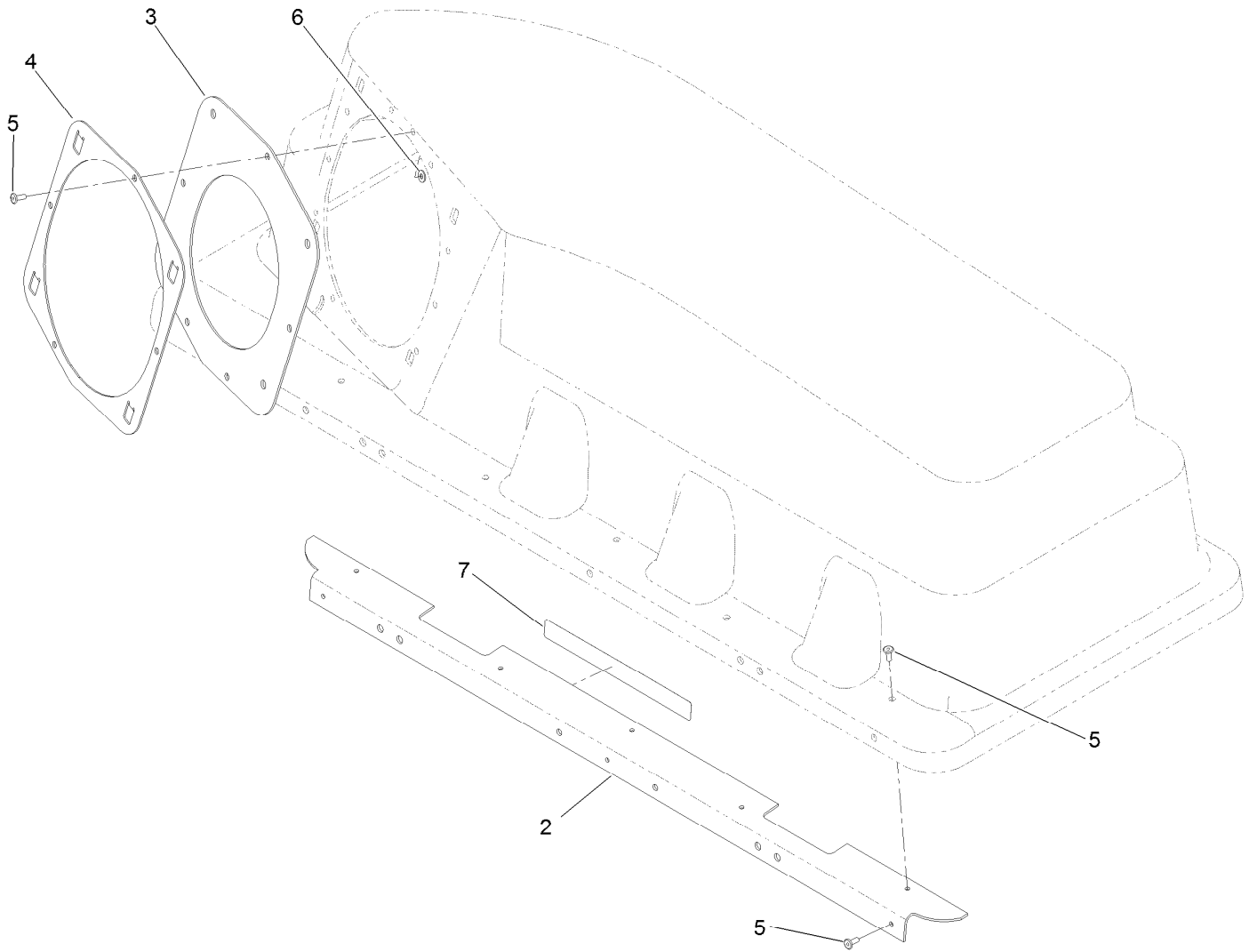
Bag Assembly



Bag Assembly (continued)

<i>Ref.</i>	<i>Part Number</i>	<i>Qty.</i>	<i>Description</i>	<i>Ref.</i>	<i>Part Number</i>	<i>Qty.</i>	<i>Description</i>
1	114972-03	1	Frame-Bag	4	3230-1	2	Bolt-CARR
2	114973-03	1	Hanger-Bag	5	3296-29	2	Nut-Lock, NI
3	114974-03	1	Clamp	6	110-6674	1	Bag

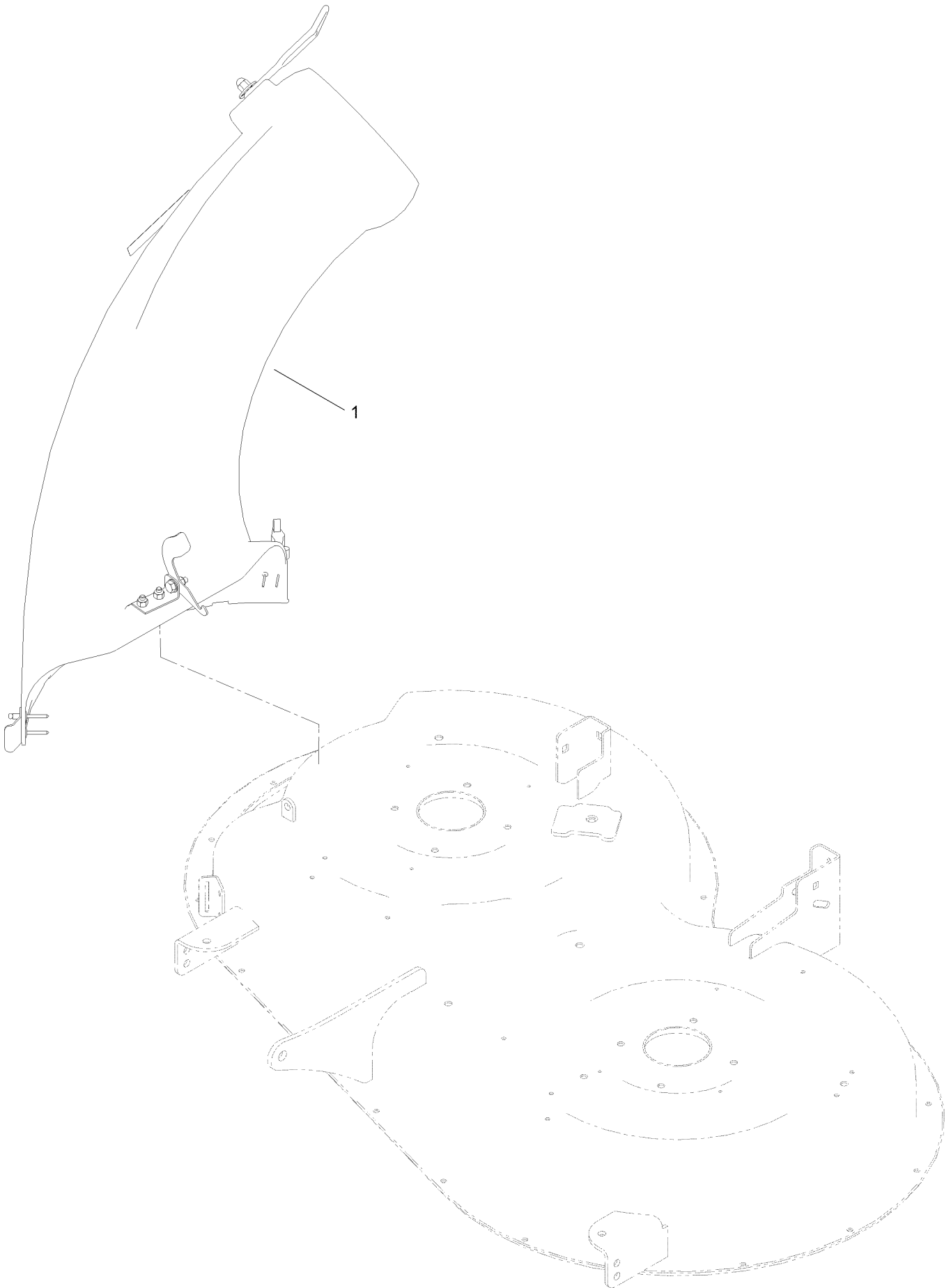
Bagger Top Assembly No. 131-8654



Bagger Top Assembly No. 131-8654 (continued)

<i>Ref.</i>	<i>Part Number</i>	<i>Qty.</i>	<i>Description</i>	<i>Ref.</i>	<i>Part Number</i>	<i>Qty.</i>	<i>Description</i>
2	116-1242-03	1	Stiffener-Bagger Top	5	114439	12	Rivet-Blind
3	112-4001	1	Gasket	6	9202704	4	Washer-Flat
4	112-4000-03	1	Ring-Retainer	7	109-6809	1	Decal-Caution, Bagger

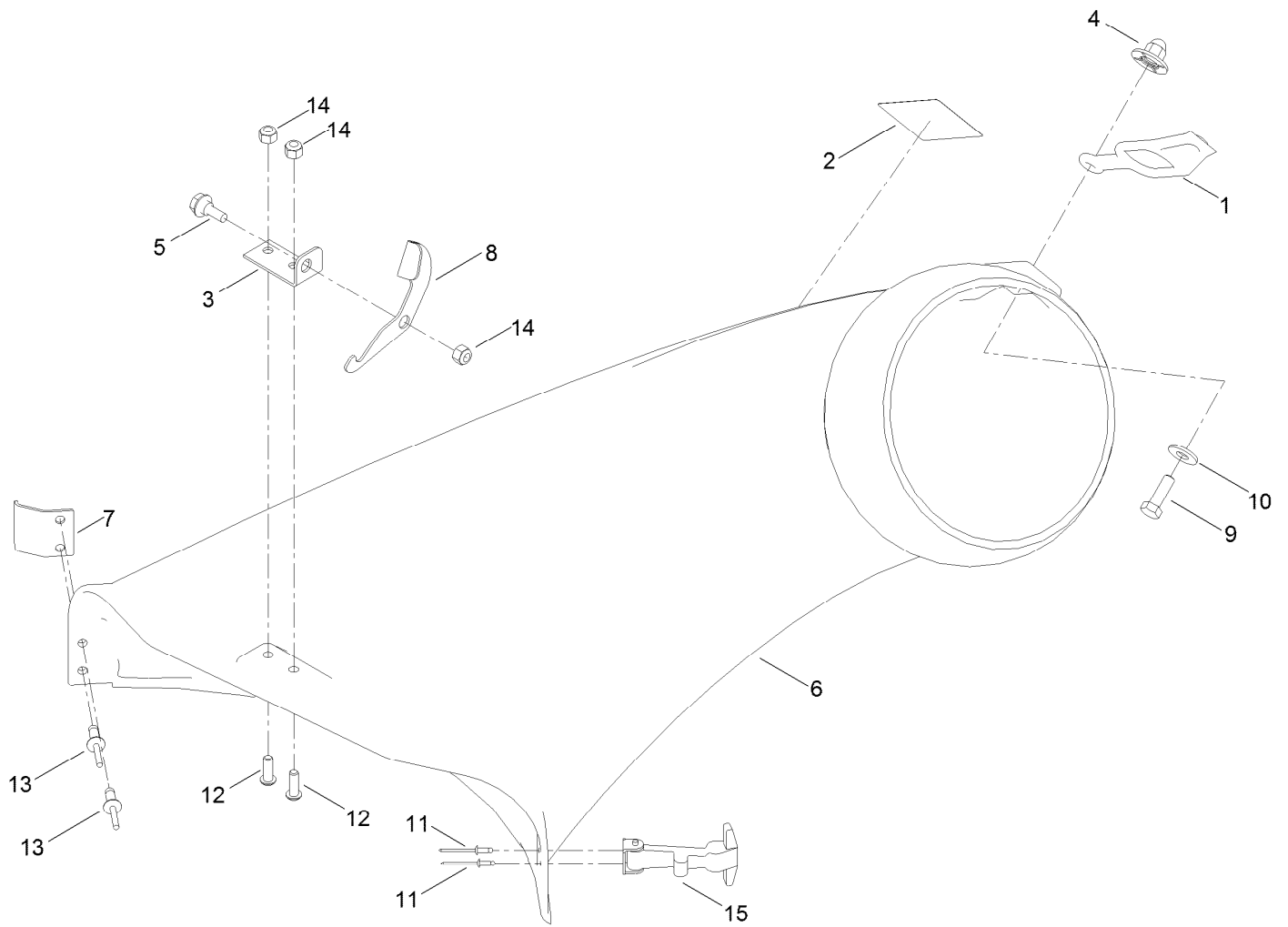
Bagger Boot Assembly



Bagger Boot Assembly (continued)

<i>Ref.</i>	<i>Part Number</i>	<i>Qty.</i>	<i>Description</i>
1	137-5035	1	42 Inch Bagger Boot ASM

Bagger Boot Assembly No. 137-5035



Bagger Boot Assembly No. 137-5035 (continued)

<i>Ref.</i>	<i>Part Number</i>	<i>Qty.</i>	<i>Description</i>	<i>Ref.</i>	<i>Part Number</i>	<i>Qty.</i>	<i>Description</i>
1	82-5690	1	Retainer-Duct	9	322-5	1	Screw-HH
2	110-6691	1	Decal-Danger	10	3256-3	1	Washer-Flat
3	112-4038	1	Plate-Pivot	11	3269-31	2	Rivet-Pop
4	114-9015	1	Nut-Impeller	12	3274-69	2	Screw-HSBH
5	120-7024	1	Screw-Shoulder, HHF	13	3290-412	2	Rivet-Blind
6	137-5036	1	42 Inch Bagger Boot	14	3296-42	3	Nut-Lock, NI
7	137-2023	1	Bracket-Elbow	15	117344	1	Handle ASM
8	137-2024	1	Latch				

Notes:

Notes:

